



US00D903804S

(12) **United States Design Patent**  
**Hunter**

(10) **Patent No.:** **US D903,804 S**

(45) **Date of Patent:** **\*\* Dec. 1, 2020**

- (54) **WATER RIDE**
- (71) Applicant: **ProSlide Technology Inc.**, Ottawa (CA)
- (72) Inventor: **Richard Douglas Hunter**, Ottawa (CA)
- (73) Assignee: **PROSLIDE TECHNOLOGY, INC.**,  
Ottawa (CA)
- (\*\*) Term: **15 Years**
- (21) Appl. No.: **29/691,806**
- (22) Filed: **May 20, 2019**

- D269,106 S \* 5/1983 Brown ..... D21/819
- D269,107 S \* 5/1983 Brown ..... D21/819
- D328,119 S \* 7/1992 Matsch ..... D21/821
- 5,505,663 A \* 4/1996 Goulart ..... A63G 21/00  
14/70
- 5,554,074 A \* 9/1996 Von Parrish ..... A63B 9/00  
472/116
- D388,148 S \* 12/1997 Sutton ..... D21/818
- 5,735,748 A \* 4/1998 Meyers ..... A63G 21/18  
472/116
- D460,511 S \* 7/2002 Van Deusen ..... D21/818
- 6,419,587 B1 \* 7/2002 Geyer ..... A63G 21/00  
472/116
- D619,186 S \* 7/2010 Strall ..... D21/818
- D629,861 S \* 12/2010 Cuttell ..... D21/821

(Continued)

**Related U.S. Application Data**

- (62) Division of application No. 29/640,186, filed on Mar. 12, 2018, now Pat. No. Des. 876,564.

**Foreign Application Priority Data**

- Feb. 5, 2018 (CA) ..... 179569
- (51) **LOC (12) Cl.** ..... **21-03**
- (52) **U.S. Cl.**  
USPC ..... **D21/819**
- (58) **Field of Classification Search**  
USPC ..... D21/811, 814, 818-822  
CPC ..... A63G 21/00-21/22  
See application file for complete search history.

**References Cited**

**U.S. PATENT DOCUMENTS**

- 908,034 A \* 12/1908 Pyleck ..... B65G 11/103  
193/25 R
- 2,465,187 A \* 3/1949 Barrabee ..... A63G 21/02  
472/116
- D256,940 S \* 9/1980 Allen, 3rd ..... D21/819
- D266,346 S \* 9/1982 Millay ..... D21/819
- D269,104 S \* 5/1983 Brown ..... D21/819
- D269,105 S \* 5/1983 Brown ..... D21/819

**OTHER PUBLICATIONS**

First Examination Report for India Design Application No. 303452 (2 pages), dated Apr. 10, 2018.

(Continued)

*Primary Examiner* — Mitchell I. Siegel  
(74) *Attorney, Agent, or Firm* — Finnegan, Henderson, Farabow, Garrett & Dunner, L.L.P.

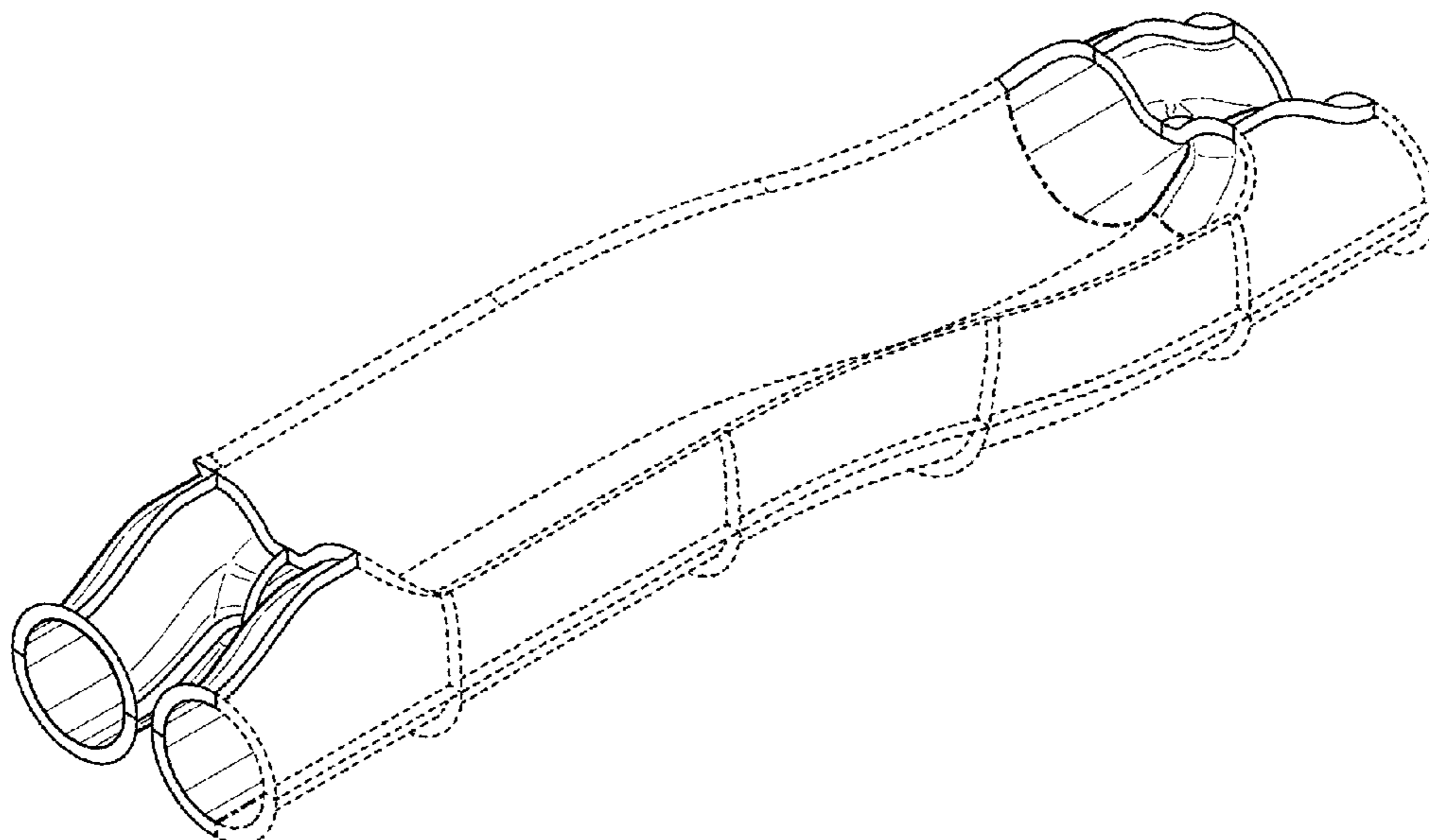
(57) **CLAIM**

The ornamental design for a water ride, as shown and described.

**DESCRIPTION**

FIG. 1 is a perspective view of a water ride showing my new design;  
FIG. 2 is a front view thereof;  
FIG. 3 is a rear view thereof;  
FIG. 4 is a right side view thereof;  
FIG. 5 is a left side view thereof;  
FIG. 6 is a top view thereof; and,  
FIG. 7 is a bottom view thereof.

**1 Claim, 4 Drawing Sheets**



(56)

References Cited

U.S. PATENT DOCUMENTS

7,854,662 B2 \* 12/2010 Braun ..... A63G 21/18  
472/117  
D637,253 S \* 5/2011 Hunter ..... D21/819  
D641,823 S \* 7/2011 Hunter ..... D21/819  
8,430,760 B2 \* 4/2013 Brassard ..... A63G 21/18  
472/117  
D743,497 S \* 11/2015 Eroglu ..... D21/818  
D758,517 S \* 6/2016 Gonzalez ..... D21/818  
9,486,711 B2 \* 11/2016 Brassard ..... A63G 21/18  
D806,816 S \* 1/2018 Forbes ..... D21/818  
D821,525 S \* 6/2018 Green ..... D21/814  
10,046,245 B1 \* 8/2018 Whincup ..... A63G 31/02  
D838,331 S \* 1/2019 Ozsoz ..... D21/819  
D838,799 S \* 1/2019 Ozsoz ..... D21/819  
D838,800 S \* 1/2019 Ozsoz ..... D21/819  
10,166,483 B2 \* 1/2019 Brassard ..... A63G 21/18  
D876,564 S \* 2/2020 Hunter ..... D21/819  
2006/0252563 A1 \* 11/2006 Werner ..... A63G 21/18  
472/117  
2007/0087849 A1 \* 4/2007 Henry ..... A63G 3/00  
472/117  
2007/0087850 A1 \* 4/2007 Henry ..... A63G 3/00  
472/117  
2009/0017927 A1 \* 1/2009 Shozi ..... A63G 21/18  
472/117  
2009/0143155 A1 \* 6/2009 Werner ..... A63G 21/18  
472/117  
2011/0287848 A1 \* 11/2011 Bradley ..... A63G 21/18  
472/117  
2017/0106295 A1 \* 4/2017 Hunter ..... A63G 21/18

OTHER PUBLICATIONS

First Examination Report for India Design Application No. 303453  
(2 pages), dated Apr. 10, 2018.  
First Examination Report for India Design Application No. 303454  
(2 pages), dated Mar. 28, 2018.  
First Examination Report for India Design Application No. 303455  
(2 pages), dated Mar. 28, 2018.  
First Examination Report for India Design Application No. 303456  
(2 pages), dated Apr. 10, 2018.  
First Examination Report for India Design Application No. 303457  
(2 pages), dated Apr. 10, 2018.  
First Examination Report for India Design Application No. 303458  
(2 pages), dated Apr. 17, 2018.  
T103 Form for Opposition against design registration publication,  
filed in counterpart Turkish Design Patent Application No. 2018/  
01583, dated May 24, 2018.  
Demand to Cancellation of Decision, issued from the Re-  
Examination and Evaluation Board of the Turkish Patent Office's  
Review and Reassessment Board No. 2018/T-1106. (16 pages).  
Decision from the Turkish Re-examination and Evaluation Board  
regarding Turkish Design Registration No. 2018/01583 (2 pages).  
Rejoinder Petition to the Turkish Re-examination and Evaluation  
Board regarding Turkish Design Registration No. 2018/01583 (13  
pages).  
\* cited by examiner

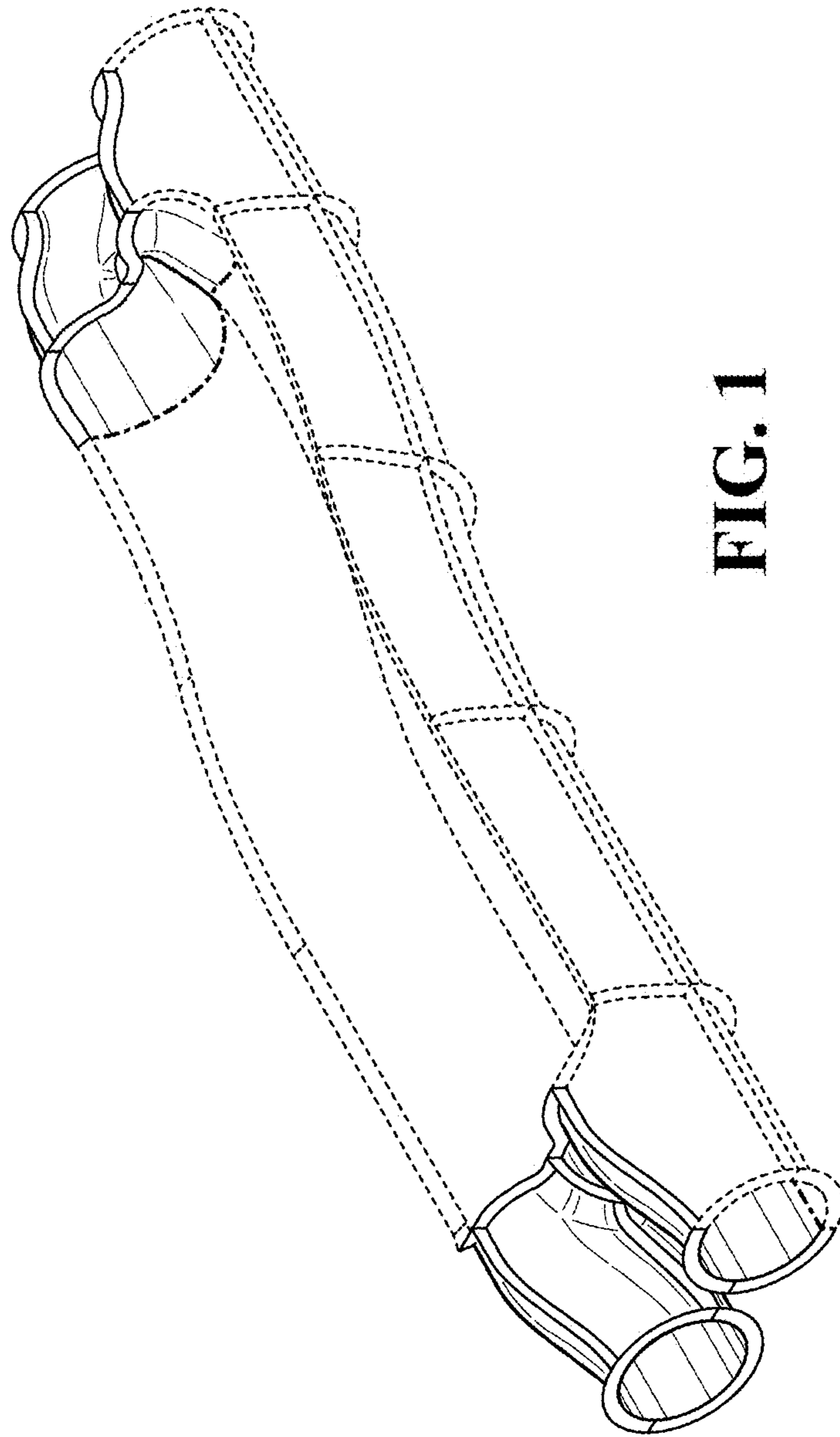


FIG. 1

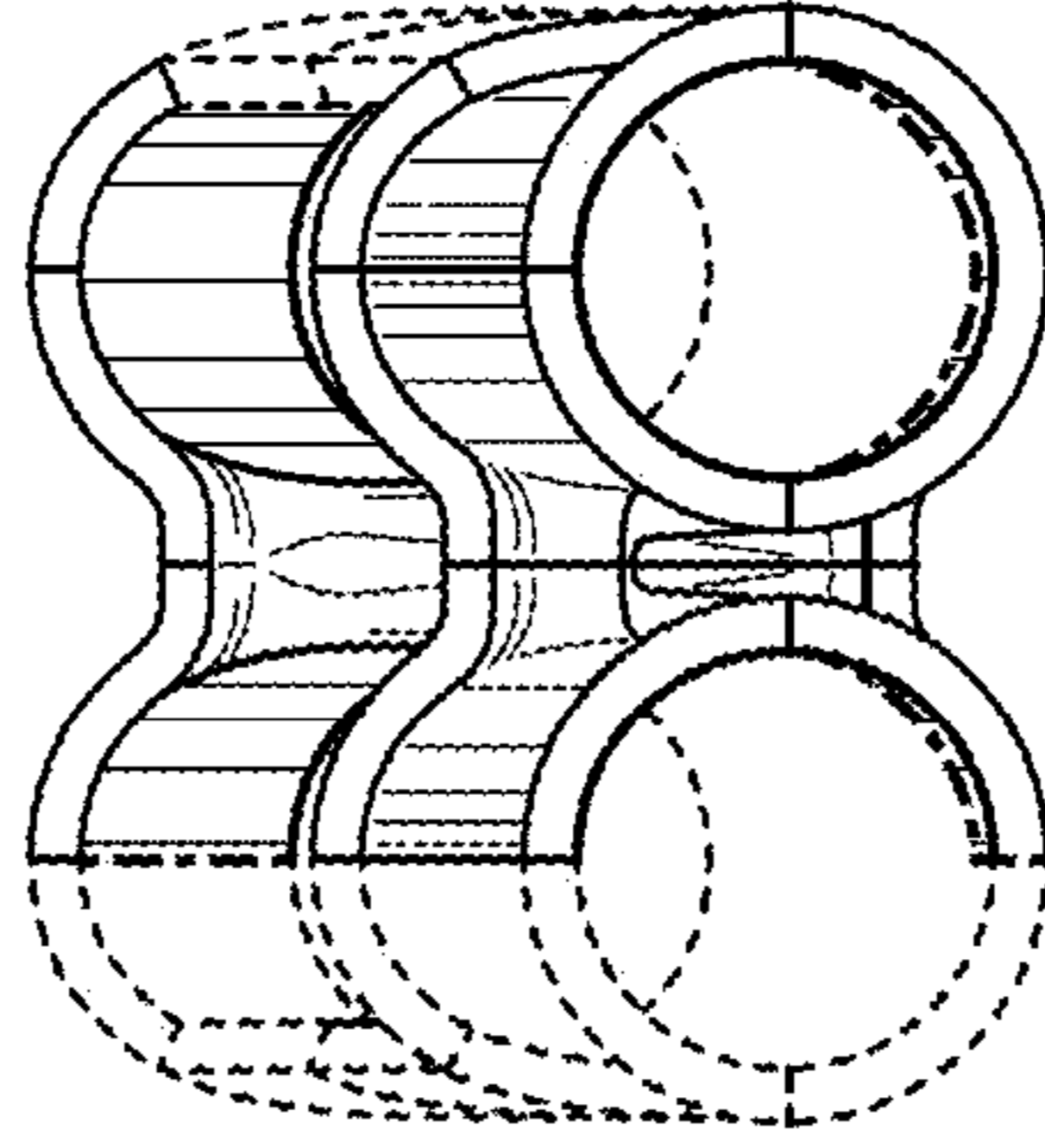


FIG. 3

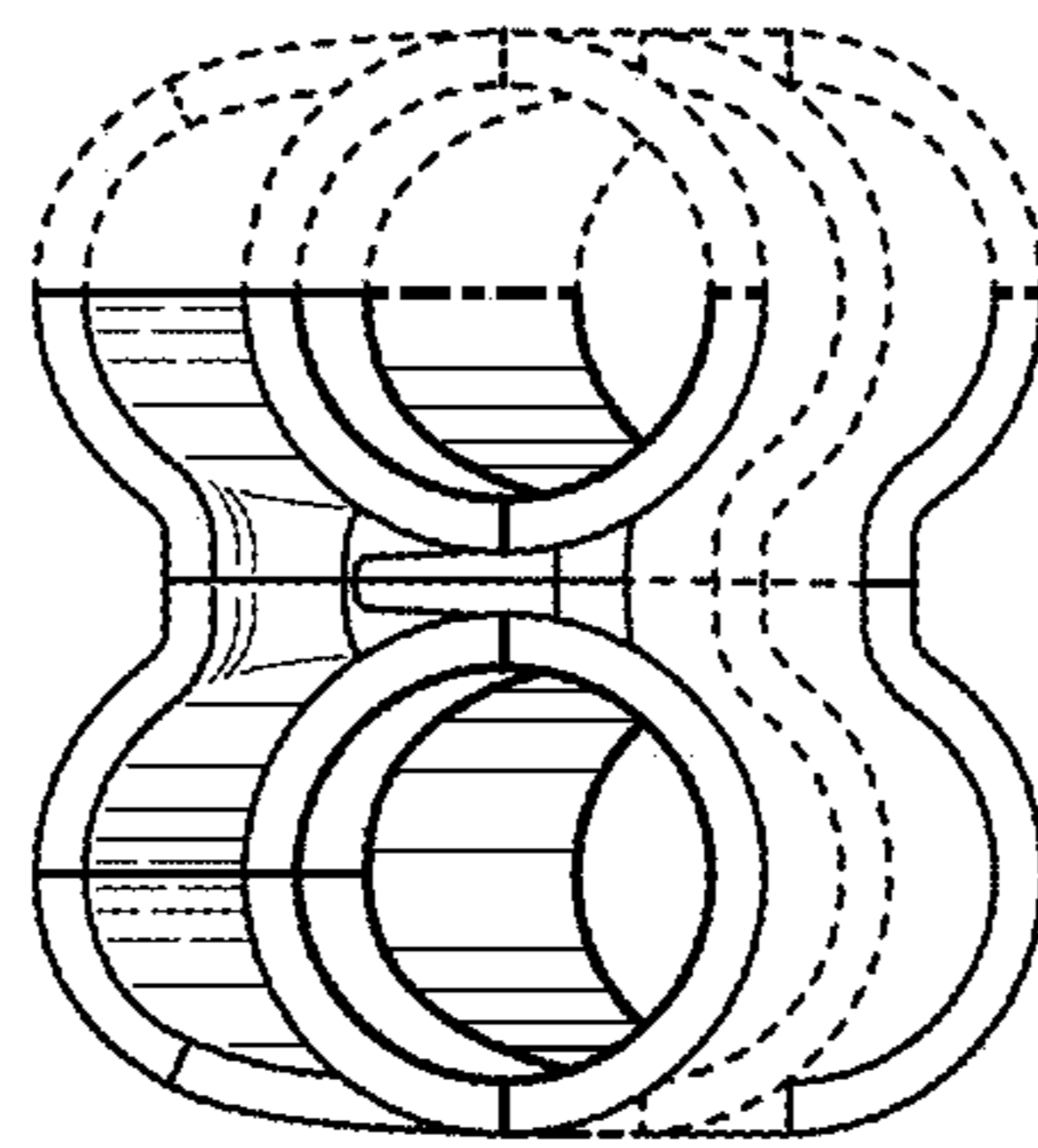


FIG. 2

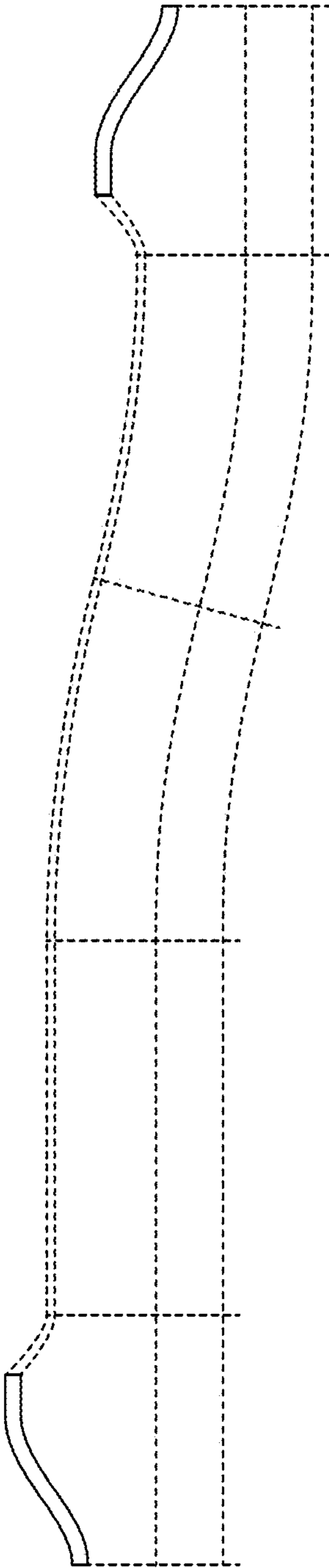


FIG. 4

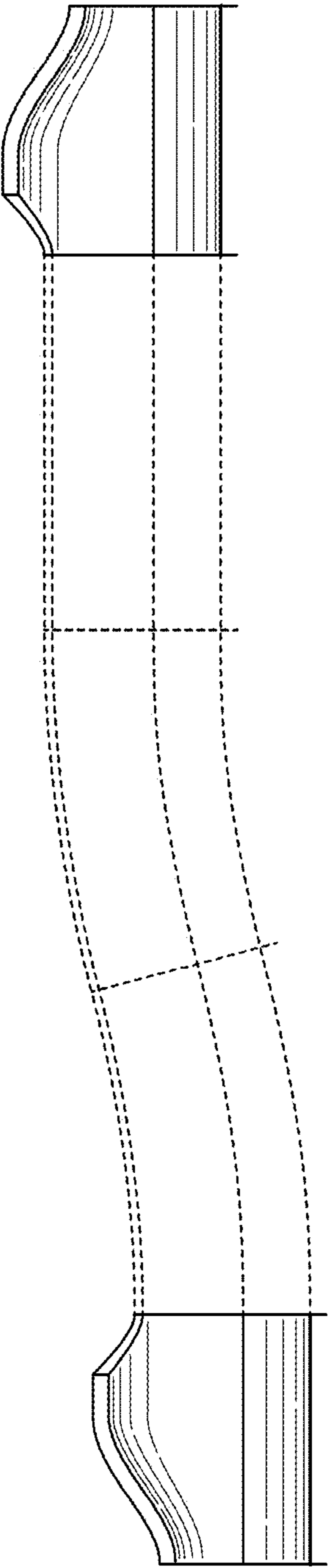


FIG. 5

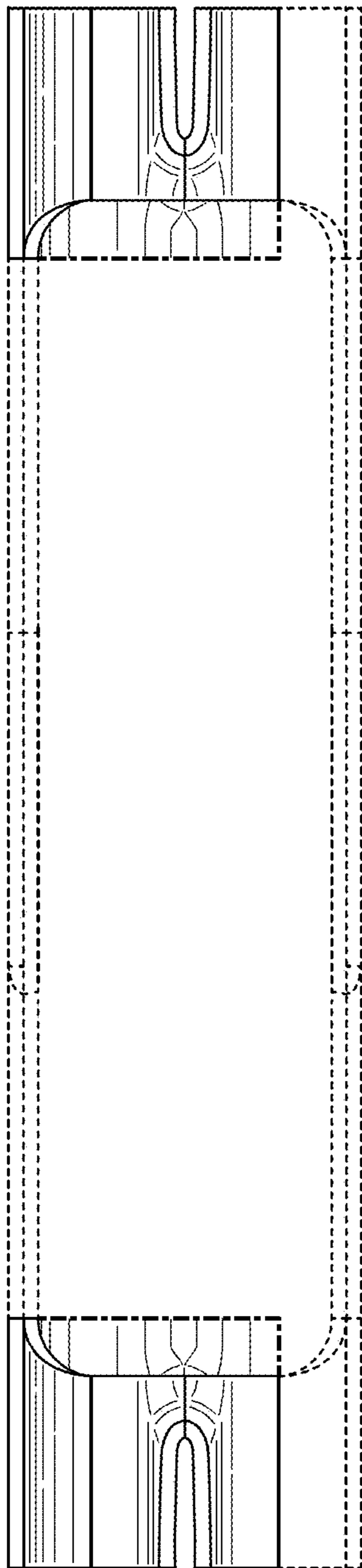


FIG. 6

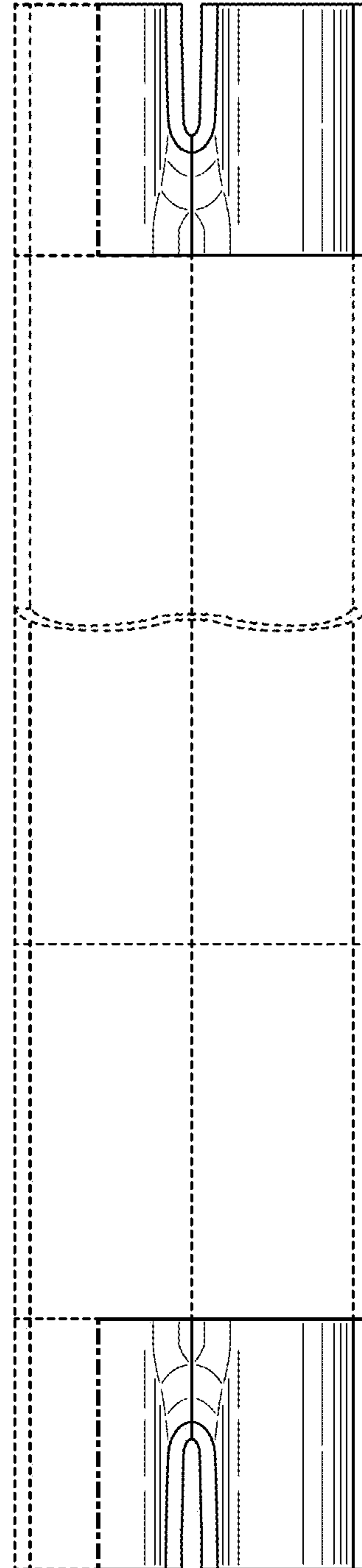


FIG. 7

UNITED STATES PATENT AND TRADEMARK OFFICE  
**CERTIFICATE OF CORRECTION**

PATENT NO. : D903,804 S  
APPLICATION NO. : 29/691806  
DATED : December 1, 2020  
INVENTOR(S) : Hunter

Page 1 of 1

It is certified that error appears in the above-identified patent and that said Letters Patent is hereby corrected as shown below:

On the Title Page

The DESCRIPTION of item (57) should be corrected as follows:

FIG. 1 is a perspective view of a water ride showing my new design;

FIG. 2 is a front view thereof;

FIG. 3 is a rear view thereof;

FIG. 4 is a right side view thereof;

FIG. 5 is a left side view thereof;

FIG. 6 is a top view thereof; and

FIG. 7 is a bottom view thereof.

The portions shown in broken lines do not form part of the design. The lines consisting of short and long dashes do not form part of the design and are included solely for the purpose of illustrating the boundary of the design.

Signed and Sealed this  
Twenty-second Day of March, 2022



Drew Hirshfeld  
*Performing the Functions and Duties of the  
Under Secretary of Commerce for Intellectual Property and  
Director of the United States Patent and Trademark Office*