



US00D903797S

(12) **United States Design Patent** (10) **Patent No.:** **US D903,797 S**
Clarke et al. (45) **Date of Patent:** **** Dec. 1, 2020**

(54) **GOLF CLUB HEAD**

FOREIGN PATENT DOCUMENTS

(71) Applicant: **KARSTEN MANUFACTURING CORPORATION**, Phoenix, AZ (US)

CN	2920325	Y	7/2007
CN	103252065	A	8/2013
GB	2133295	A	7/1984
JP	2001137400	A	5/2001

(72) Inventors: **Jacob T. Clarke**, Phoenix, AZ (US);
David A. Higdon, Cave Creek, AZ (US)

OTHER PUBLICATIONS

Odyssey Works Tank Cruiser #1w, <http://www.pgatoursuperstore.com/odyssey-works-tank-cruiser-1w/1000000005200.jsp> , Date Accessed: Dec. 14, 2016.

(73) Assignee: **Karsten Manufacturing Corporation**, Phoenix, AZ (US)

(Continued)

(**) Term: **15 Years**

Primary Examiner — Mitchell I. Siegel

(21) Appl. No.: **29/677,182**

(57) **CLAIM**

The ornamental design for a golf club head, as shown and described.

(22) Filed: **Jan. 17, 2019**

DESCRIPTION

(51) **LOC (12) Cl.** **21-02**

(52) **U.S. Cl.**
USPC **D21/736**

(58) **Field of Classification Search**
USPC D21/736–746, 759
CPC A63B 53/00; A63B 53/04; A63B 53/007;
A63B 53/065; A63B 53/0487; A63B
60/00; A63B 60/46
See application file for complete search history.

FIG. 1 is a top perspective view of a golf club head;
FIG. 2 is a bottom perspective view of the golf club head of FIG. 1;
FIG. 3 is a top view of the golf club head of FIG. 1;
FIG. 4 is a bottom view of the golf club head of FIG. 1;
FIG. 5 is a front view of the golf club head of FIG. 1;
FIG. 6 is a rear view of the golf club head of FIG. 1;
FIG. 7 is a heel side view of the golf club head of FIG. 1;
FIG. 8 is a toe side view of the golf club head of FIG. 1;
FIG. 9 is a top perspective view of another embodiment of a golf club head;
FIG. 10 is a bottom perspective view of the golf club head of FIG. 9;
FIG. 11 is a top view of the golf club head of FIG. 9;
FIG. 12 is a bottom view of the golf club head of FIG. 9;
FIG. 13 is a front view of the golf club head of FIG. 9;
FIG. 14 is a rear view of the golf club head of FIG. 9;
FIG. 15 is a heel side view of the golf club head of FIG. 9; and,
FIG. 16 is a toe side view of the golf club head of FIG. 9.
The broken line showing is included for the purpose of illustrating unclaimed subject matter and forms no part of the claimed design.

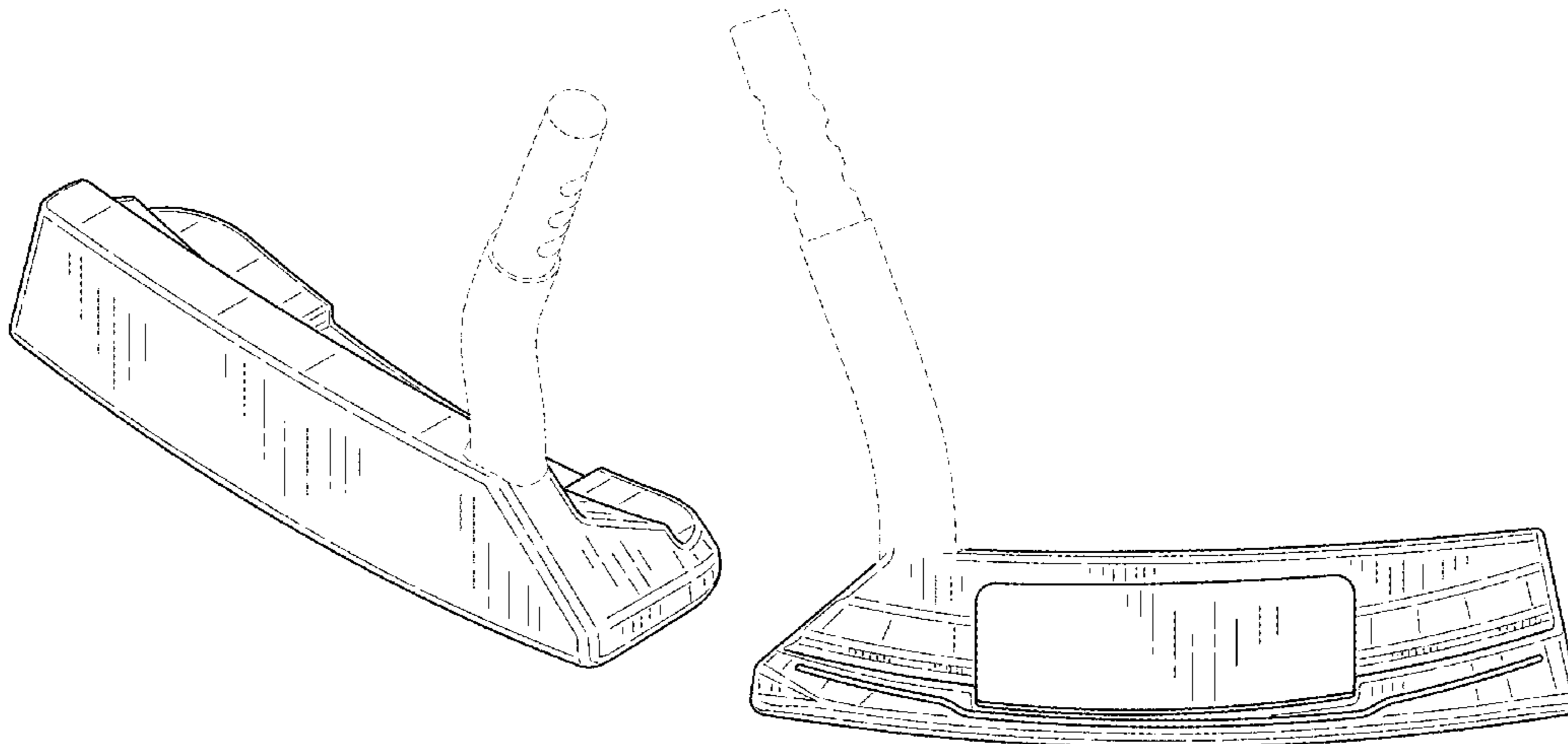
(56) **References Cited**

U.S. PATENT DOCUMENTS

3,652,094	A	3/1972	Glover	
D231,375	S	4/1974	Solheim	
D234,960	S	4/1975	Swash	
D235,668	S	7/1975	Swash	
D281,092	S	* 10/1985	Mills D21/742
D306,334	S	2/1990	Alcala	
D310,115	S	8/1990	Iinuma	
D310,699	S	9/1990	Parente et al.	
D324,895	S	3/1992	Antonious	
D335,315	S	5/1993	Shearer	

(Continued)

1 Claim, 10 Drawing Sheets



(56)

References Cited

U.S. PATENT DOCUMENTS

D344,564 S 2/1994 Oakleaf
 D367,905 S * 3/1996 Kanazawa D21/742
 D372,752 S 8/1996 Raudman
 D385,935 S 11/1997 Cameron
 5,746,664 A 5/1998 Reynolds, Jr.
 D396,080 S 7/1998 Bottema
 D399,274 S 10/1998 Bradford
 D404,451 S 1/1999 Sheets
 D405,836 S * 2/1999 Nicolette D21/736
 D408,064 S 4/1999 Slucker
 D410,267 S 5/1999 Solheim et al.
 6,048,275 A 4/2000 Gedeon
 D426,599 S 6/2000 Morgan et al.
 D427,262 S 6/2000 Frazetta
 D435,275 S 12/2000 Sizemore
 D438,273 S 2/2001 Sizemore, Jr.
 D443,905 S 6/2001 Nicolette
 D445,865 S 7/2001 Mills
 D449,085 S 10/2001 Breier et al.
 D454,169 S 3/2002 Solheim
 D463,517 S * 9/2002 Ngon D21/736
 D472,949 S 4/2003 Serrano
 D474,253 S 5/2003 Mills
 D483,823 S 12/2003 Swist
 D485,320 S 1/2004 Breier et al.
 D488,526 S 4/2004 Souza et al.
 D499,782 S 12/2004 Stites et al.
 D500,109 S 12/2004 Solheim et al.
 D500,110 S 12/2004 Solheim et al.
 D501,233 S 1/2005 Thomas
 6,837,801 B1 1/2005 Souza et al.
 6,893,355 B2 5/2005 Souza et al.
 D506,237 S 6/2005 Byrne et al.
 D507,612 S 7/2005 Souza et al.
 D508,546 S 8/2005 Oldknow
 6,926,615 B1 8/2005 Souza et al.
 6,960,140 B2 11/2005 Solheim et al.
 D513,050 S 12/2005 Grimaldo
 D515,646 S 2/2006 Perry
 D520,583 S 5/2006 Rollinson et al.
 D520,584 S 5/2006 Karlsen
 D521,582 S 5/2006 Souza et al.
 7,052,411 B2 5/2006 Solheim et al.
 D522,598 S 6/2006 Solheim et al.
 D523,102 S 6/2006 Stites et al.
 D524,887 S 7/2006 Jones et al.
 D525,328 S 7/2006 Solheim et al.
 D525,329 S 7/2006 Jones et al.
 D527,433 S 8/2006 Hueber
 7,086,957 B2 8/2006 Solheim et al.
 D527,777 S 9/2006 Solheim et al.
 D529,109 S 9/2006 Jones
 7,112,147 B2 9/2006 Solheim et al.
 D529,560 S 10/2006 Madore
 D529,564 S 10/2006 Grace
 7,121,956 B2 10/2006 Lo
 D532,066 S 11/2006 Tang
 D532,842 S 11/2006 Jones et al.
 D532,843 S 11/2006 Jones et al.
 D533,243 S 12/2006 Fife, Jr. et al.
 D533,609 S 12/2006 Moore et al.
 D534,978 S 1/2007 Rollinson et al.
 D537,135 S 2/2007 Rollinson et al.
 D538,364 S 3/2007 Frame et al.
 D540,411 S 4/2007 Bradford et al.
 D540,897 S 4/2007 Oldknow et al.
 D541,362 S 4/2007 Oldknow
 D542,871 S 5/2007 Oldknow
 D542,873 S 5/2007 Oldknow
 D545,385 S 6/2007 Tang et al.
 7,235,021 B2 6/2007 Solheim et al.
 D547,405 S 7/2007 Serrano et al.
 D548,294 S 8/2007 Nguyen et al.
 D548,295 S 8/2007 Jertson et al.

D548,296 S 8/2007 Rollinson
 7,255,650 B2 8/2007 Braynt et al.
 D551,310 S 9/2007 Kuan et al.
 D552,197 S 10/2007 Wells et al.
 D552,697 S 10/2007 Johnson
 D553,207 S 10/2007 Johnson
 7,297,073 B2 11/2007 Jung
 D560,263 S 1/2008 Rubino
 D564,606 S 3/2008 Oldknow et al.
 D564,612 S 3/2008 Oldknow et al.
 D565,137 S 3/2008 Oldknow et al.
 D565,142 S 3/2008 Oldknow et al.
 D565,678 S * 4/2008 Cameron D21/736
 D570,934 S 6/2008 Ban et al.
 D570,943 S 6/2008 Chen et al.
 D571,877 S 6/2008 Jones et al.
 D571,878 S 6/2008 Jones et al.
 D571,879 S 6/2008 Jones et al.
 D571,886 S 6/2008 Stites et al.
 D572,789 S 7/2008 Stites et al.
 D574,457 S 8/2008 Stites et al.
 D574,906 S 8/2008 Jones et al.
 D574,907 S 8/2008 Jones et al.
 D574,909 S 8/2008 Jones et al.
 D574,910 S 8/2008 Jones et al.
 D574,911 S 8/2008 Jones et al.
 D574,912 S 8/2008 Jones et al.
 7,407,443 B2 8/2008 Franklin et al.
 D577,085 S * 9/2008 Nicolette D21/743
 D577,086 S * 9/2008 Nicolette D21/743
 D578,593 S 10/2008 Oldknow et al.
 D578,594 S 10/2008 Oldknow et al.
 D579,505 S 10/2008 Jones
 D579,506 S * 10/2008 Nicolette D21/743
 D579,995 S * 11/2008 Nicolette D21/743
 7,452,283 B2 11/2008 Hettinger et al.
 7,455,599 B2 11/2008 Jones
 D583,003 S 12/2008 Solheim et al.
 D584,780 S 1/2009 Ines et al.
 D587,325 S 2/2009 Solheim et al.
 D592,719 S 5/2009 Hettinger
 D596,683 S * 7/2009 Hettinger D21/746
 D599,423 S 9/2009 Serrano et al.
 D599,424 S 9/2009 Serrano et al.
 D599,869 S 9/2009 Serrano et al.
 D599,870 S 9/2009 Serrano et al.
 D600,298 S 9/2009 Serrano et al.
 D600,760 S 9/2009 Serrano et al.
 D600,762 S 9/2009 Serrano et al.
 D601,214 S 9/2009 Serrano et al.
 7,607,991 B2 10/2009 Sorenson
 7,670,232 B2 3/2010 Franklin
 7,803,066 B2 9/2010 Solheim et al.
 7,846,041 B2 12/2010 Beach
 7,887,432 B2 2/2011 Jones
 8,100,779 B2 1/2012 Solheim et al.
 D733,817 S 7/2015 Jorgensen
 9,220,960 B2 12/2015 Schartiger
 D777,272 S 1/2017 Serrano et al.
 D797,873 S 9/2017 Serrano et al.
 D807,454 S 1/2018 Serrano
 9,901,793 B2 2/2018 Ban
 D832,948 S * 11/2018 Stokke D21/736
 D856,449 S * 8/2019 Serrano D21/743
 D857,819 S * 8/2019 Wang D21/743
 2003/0083149 A1 5/2003 Lorenzo
 2007/0021230 A1 1/2007 Haack
 2007/0135232 A1 6/2007 Billings
 2008/0045353 A1 2/2008 Lo
 2009/0029800 A1 1/2009 Jones et al.

OTHER PUBLICATIONS

Cx1, <http://cureputters.com/products/cx1> , Date Accessed: Dec. 13, 2016.

* cited by examiner

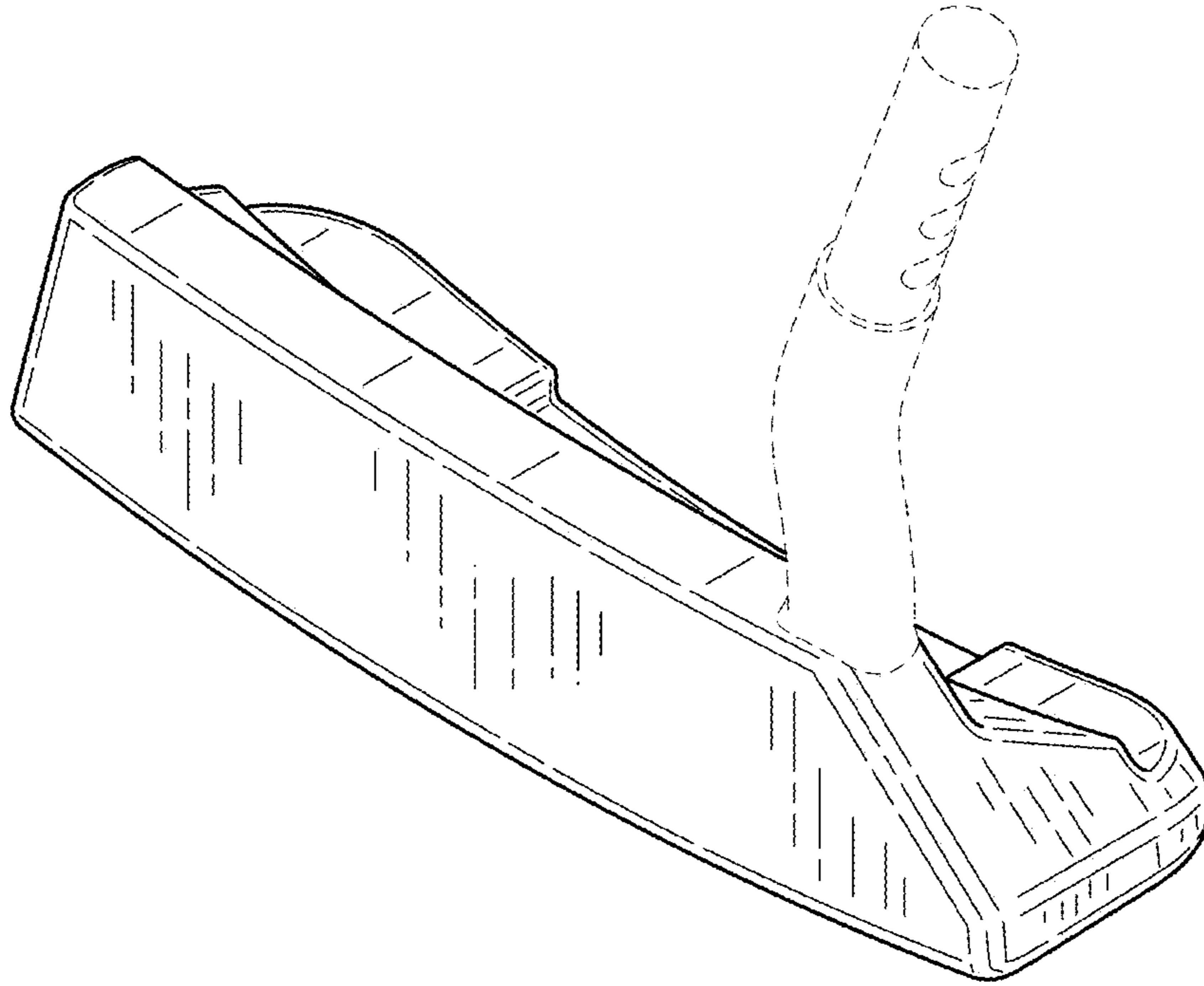


FIG. 1

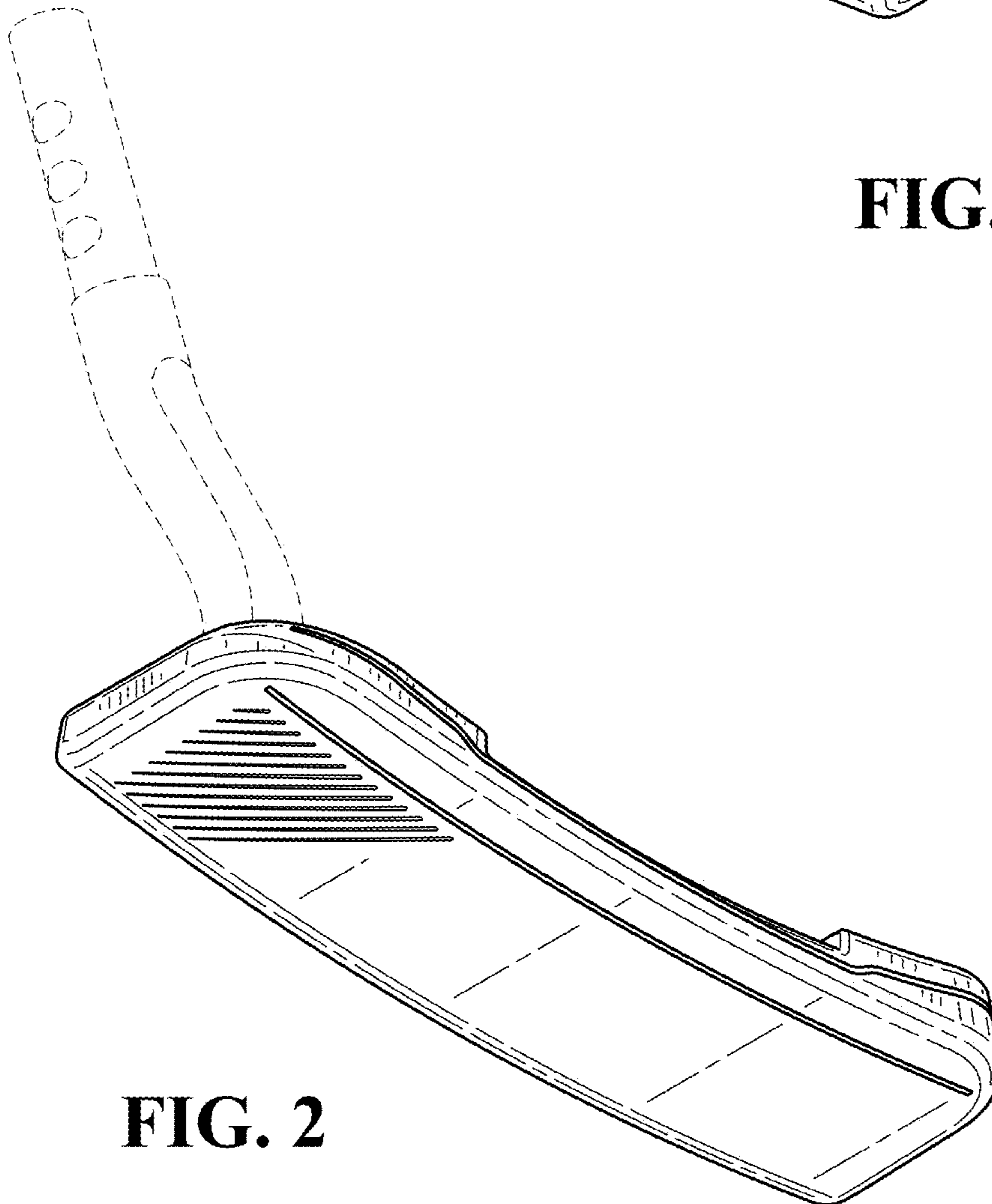


FIG. 2

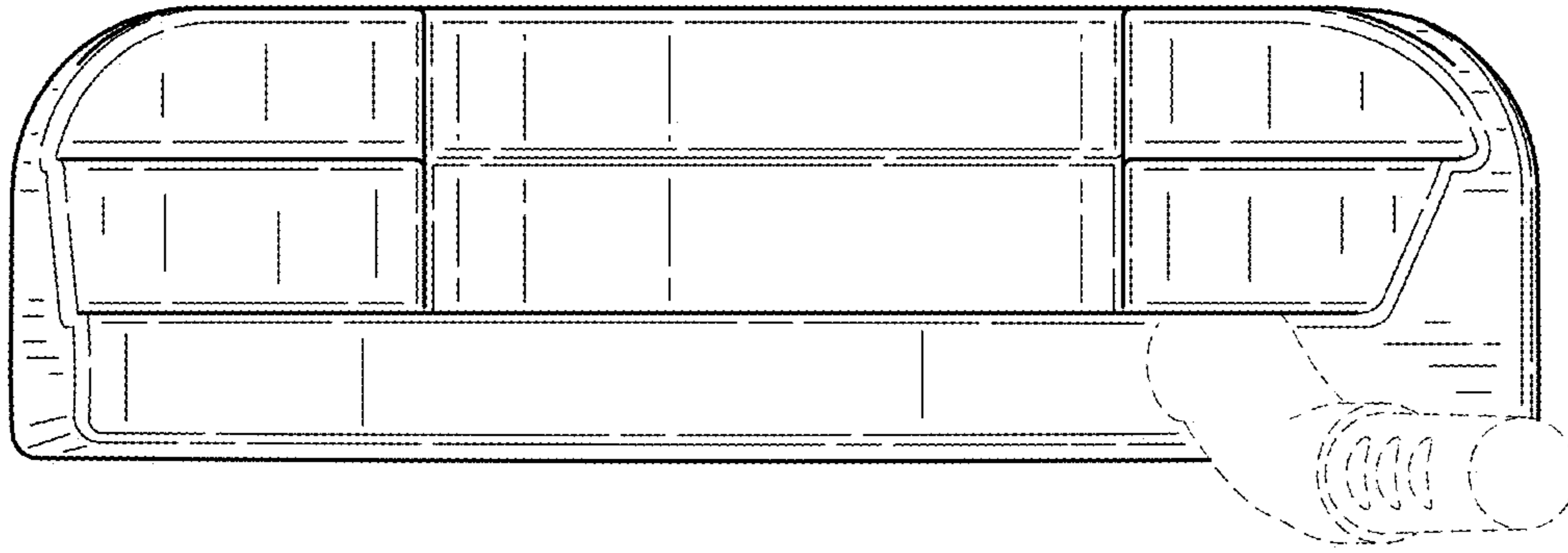


FIG. 3

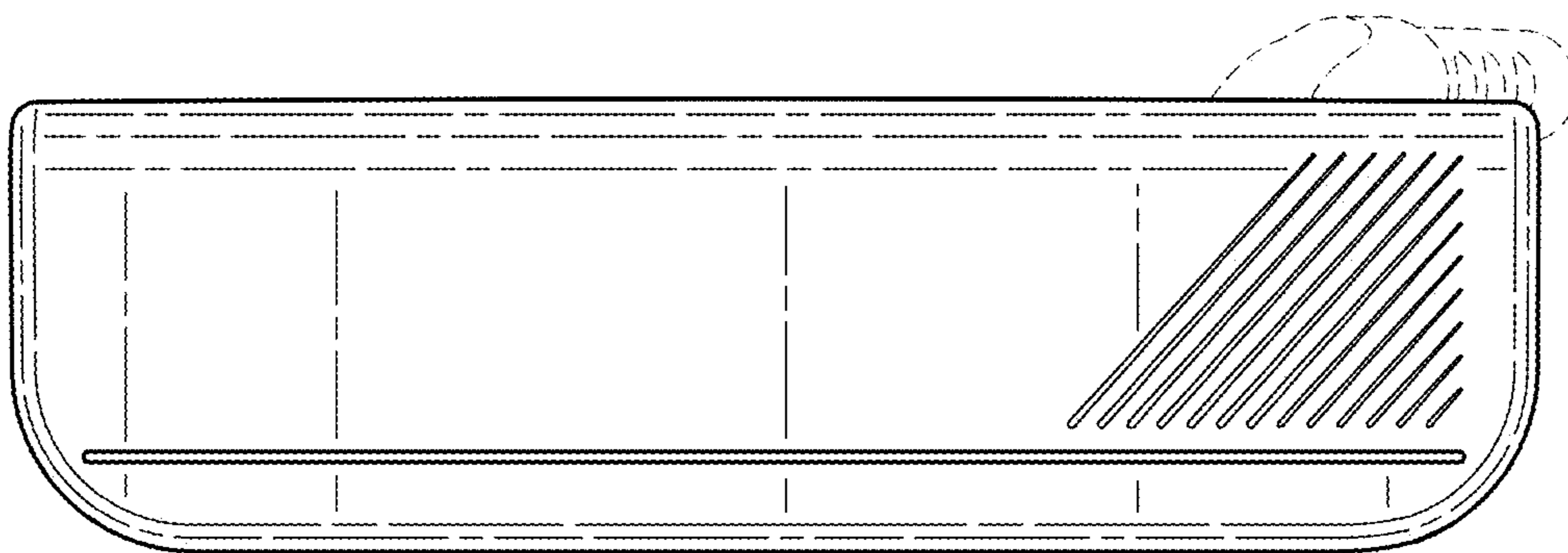


FIG. 4

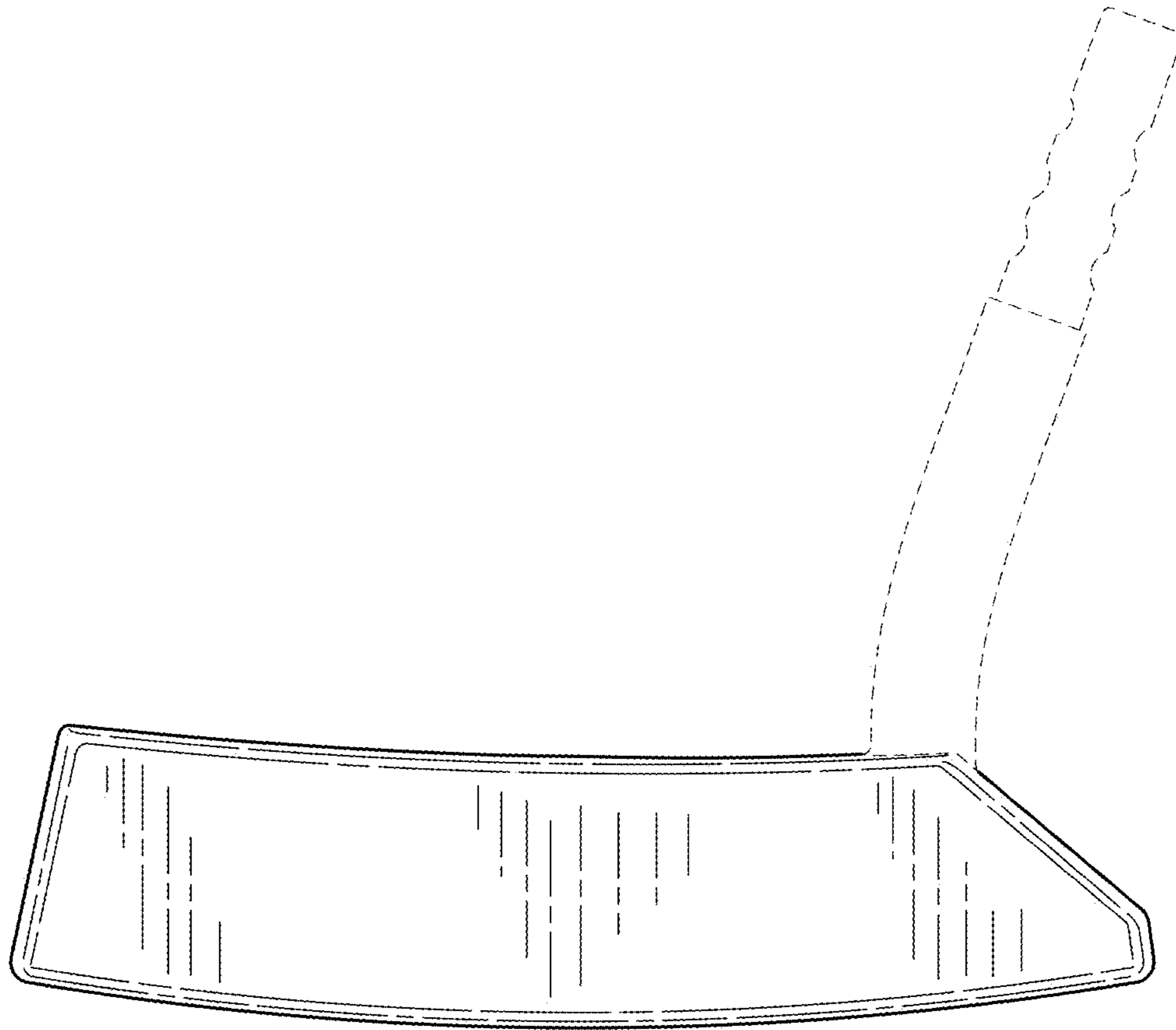


FIG. 5

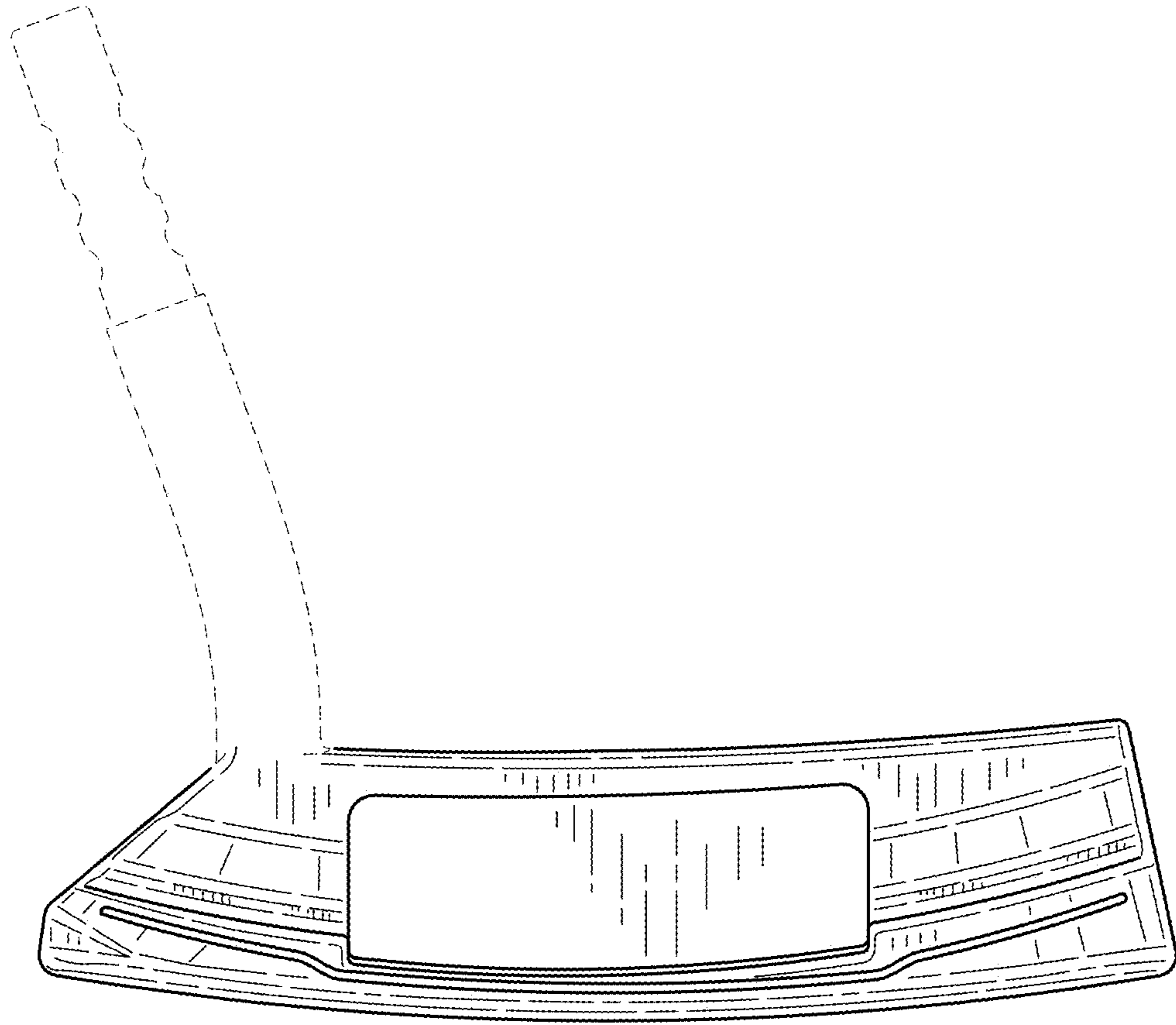


FIG. 6

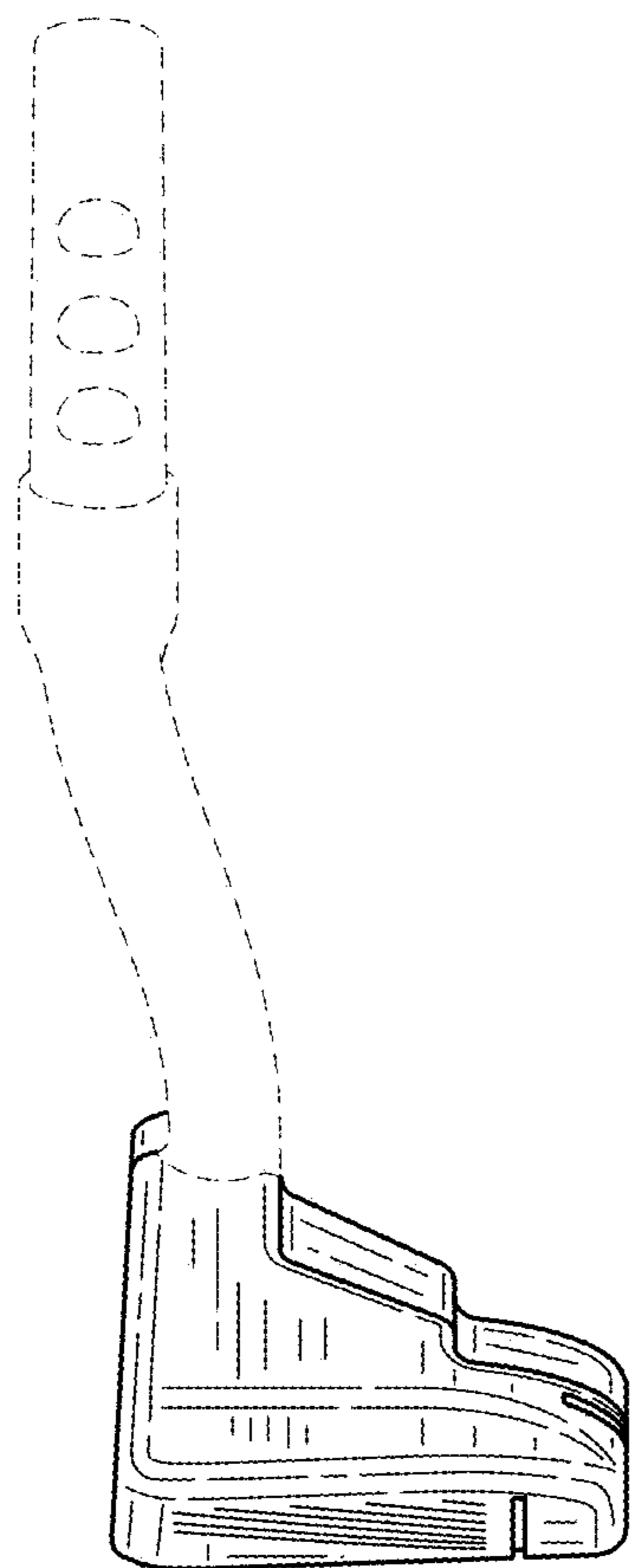


FIG. 7

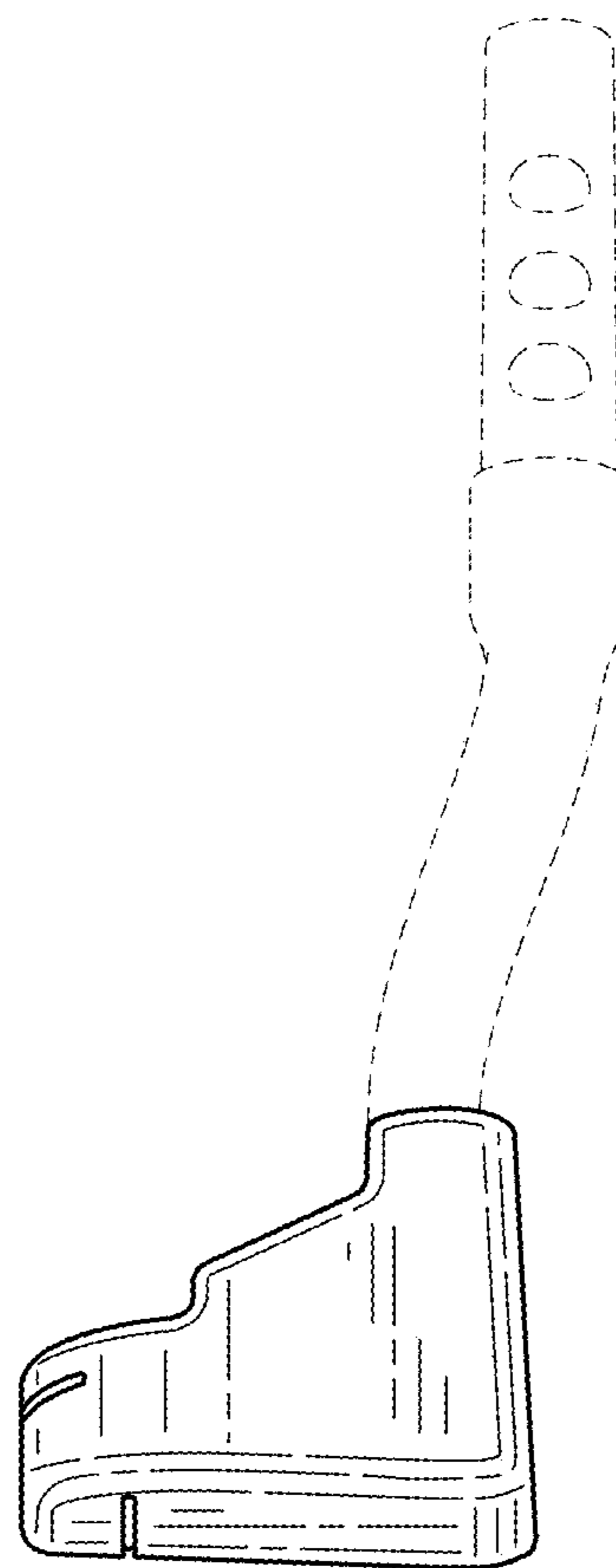


FIG. 8

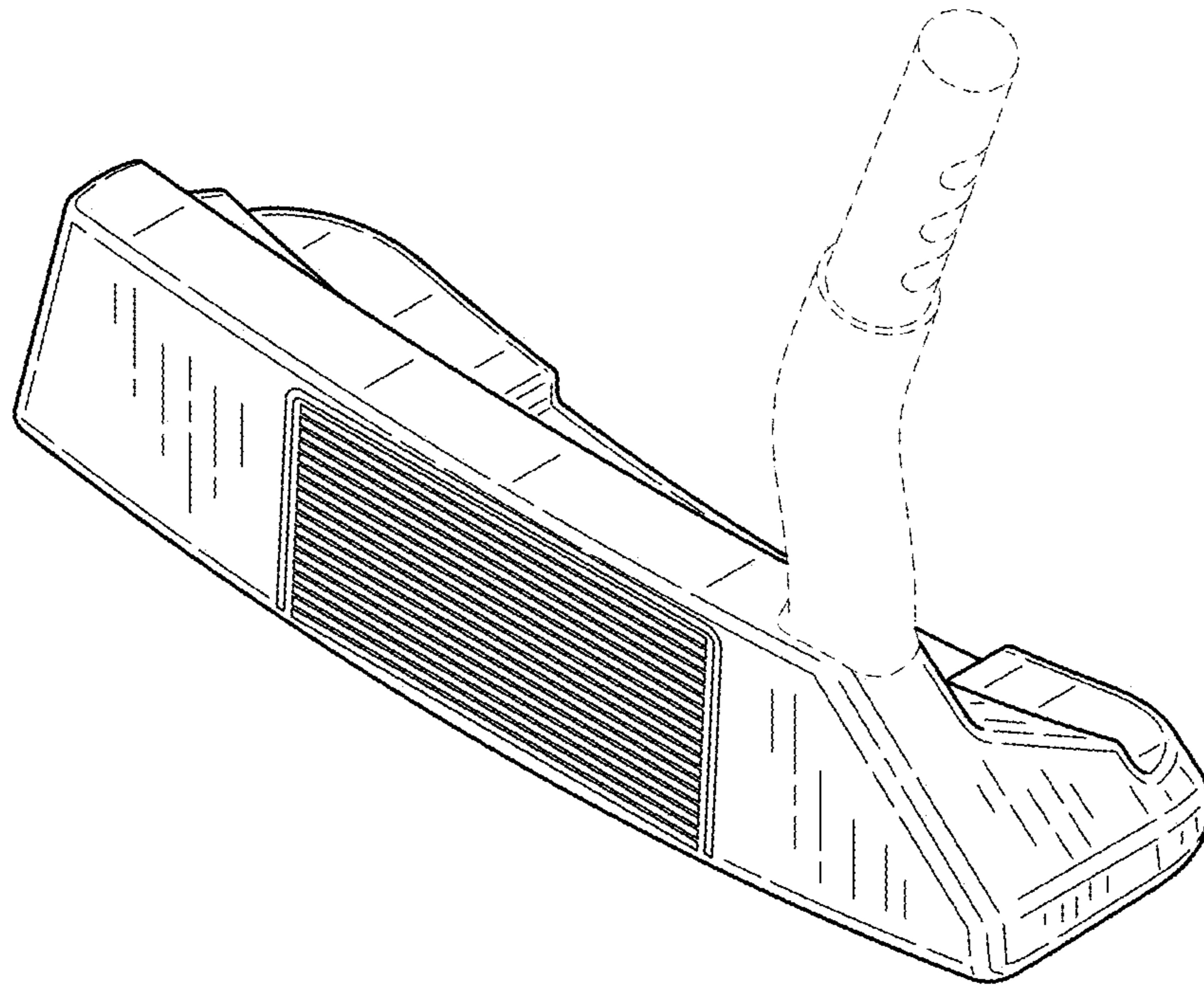


FIG. 9

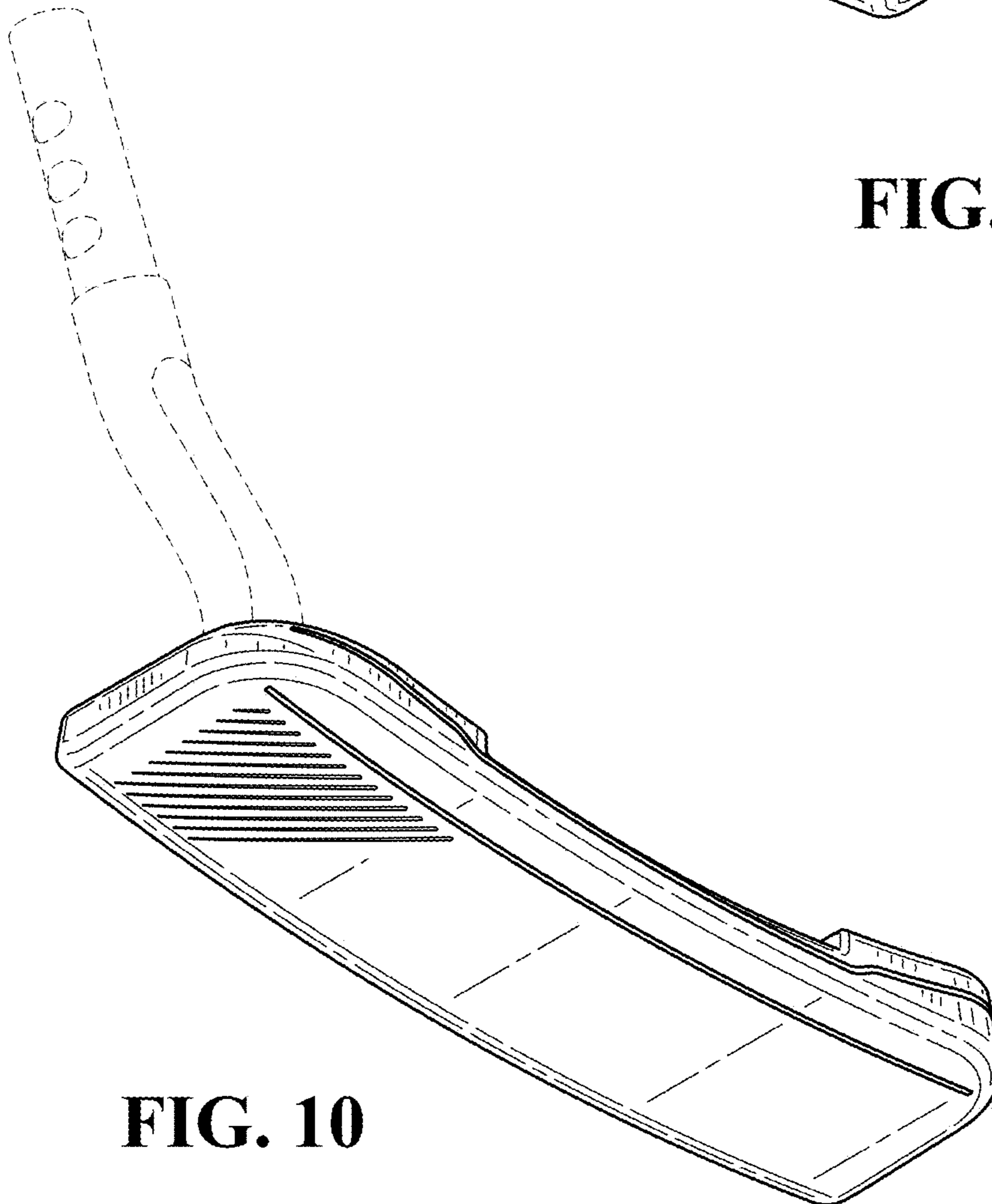


FIG. 10

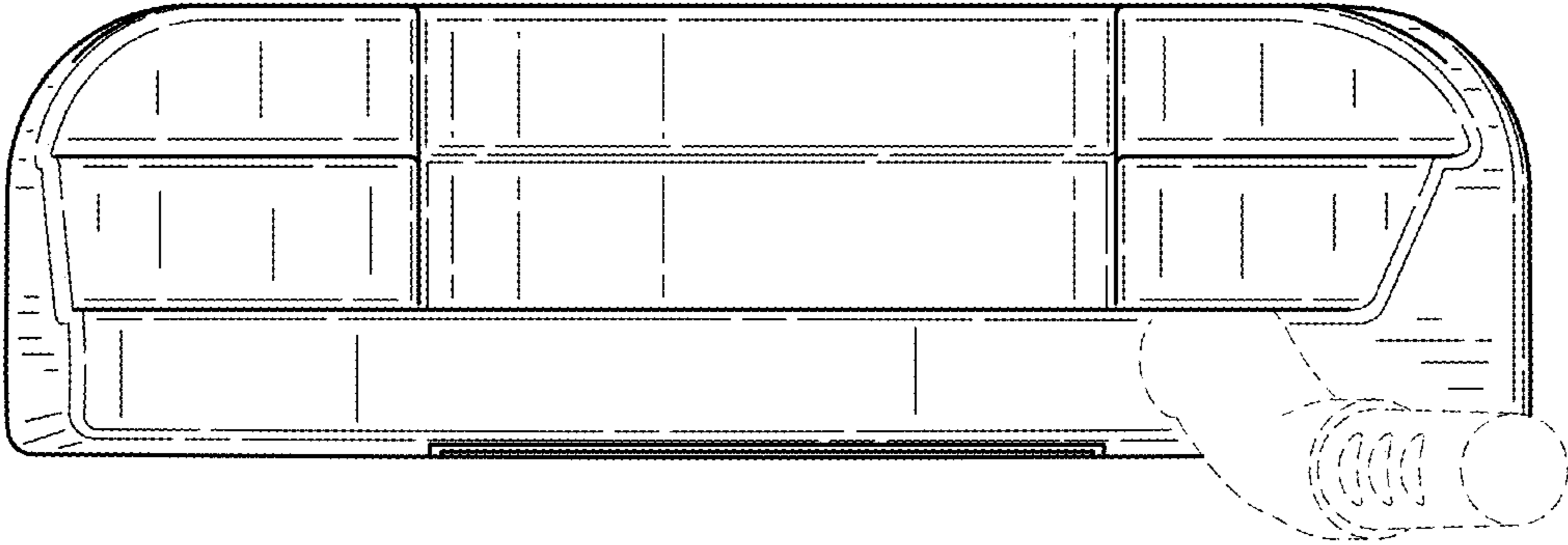


FIG. 11

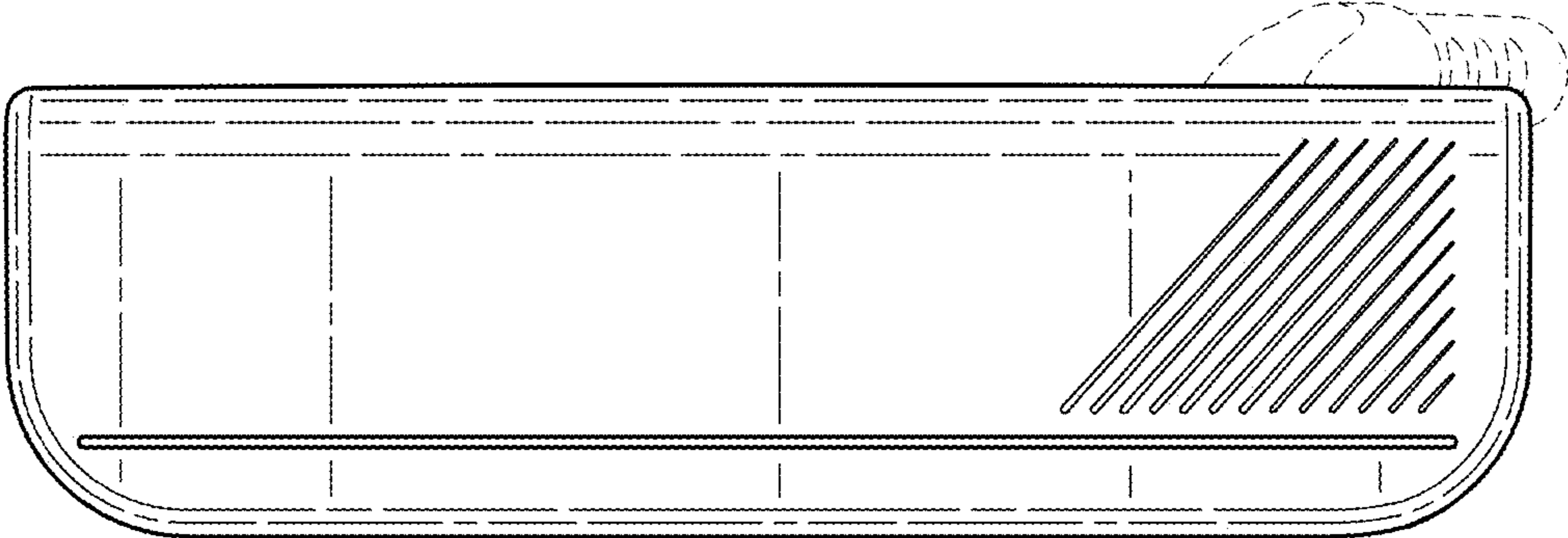


FIG. 12

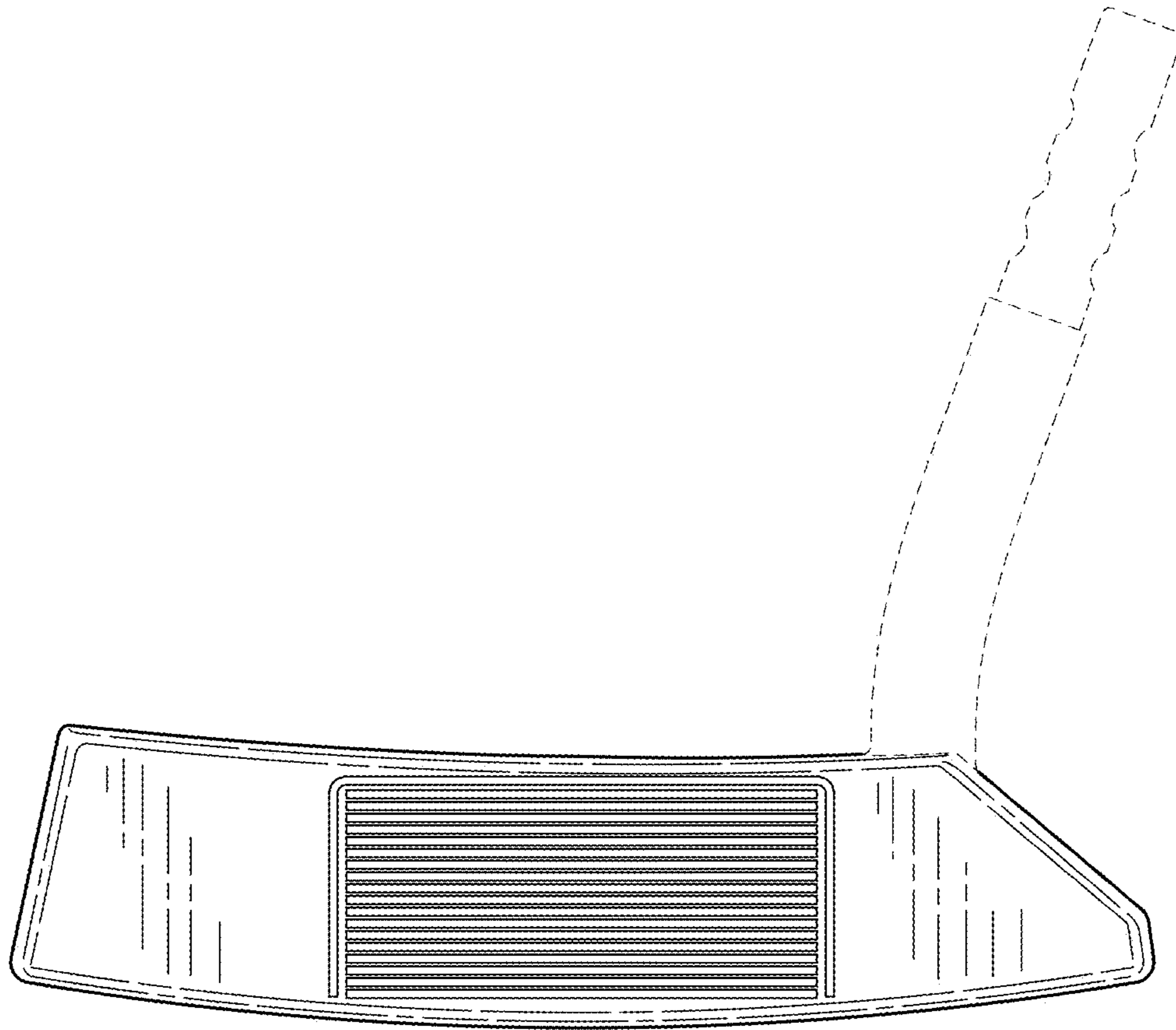


FIG. 13

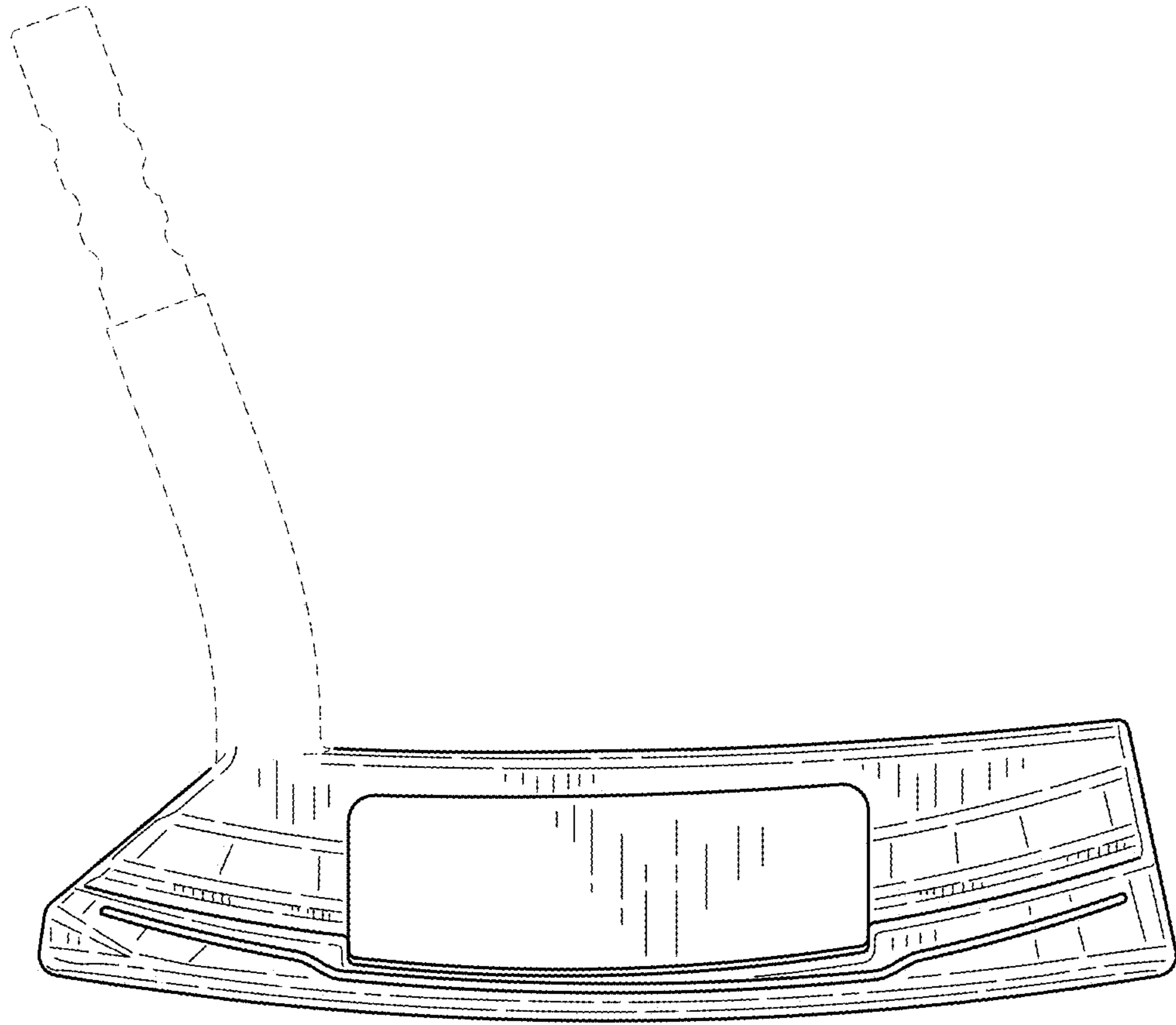


FIG. 14

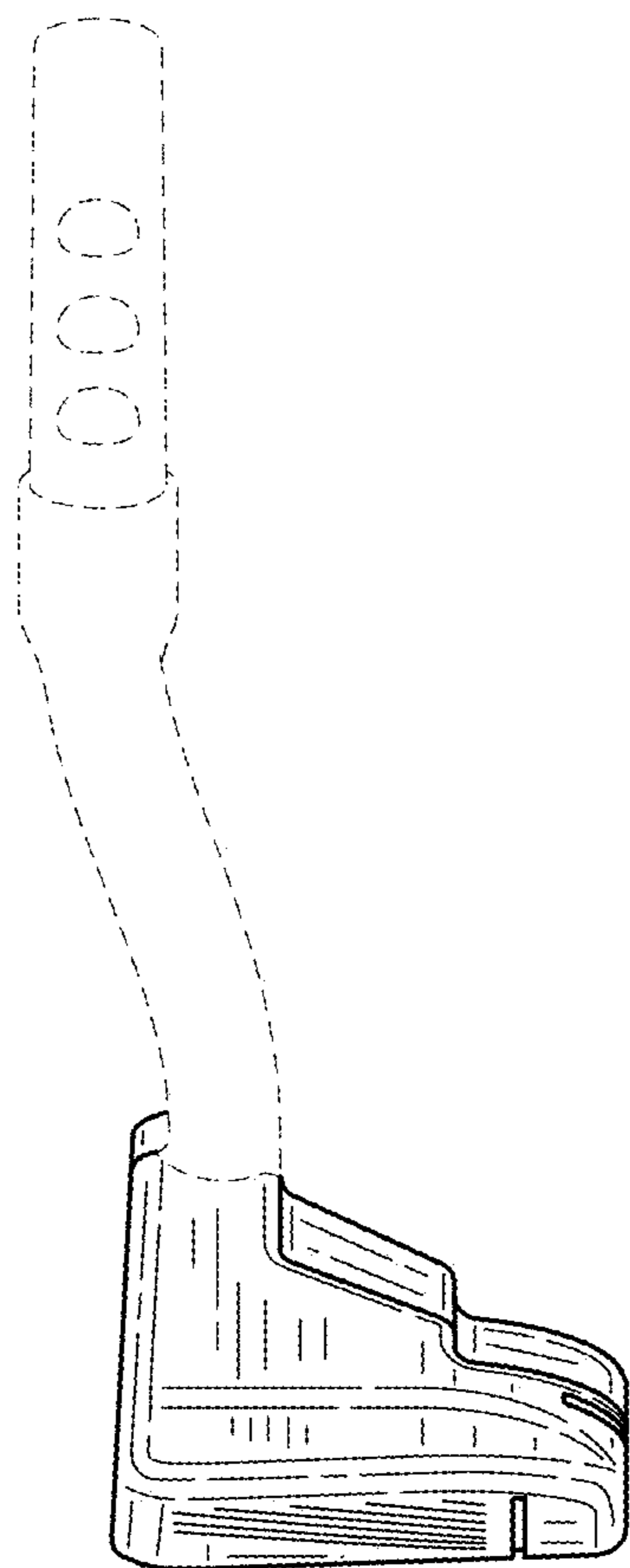


FIG. 15

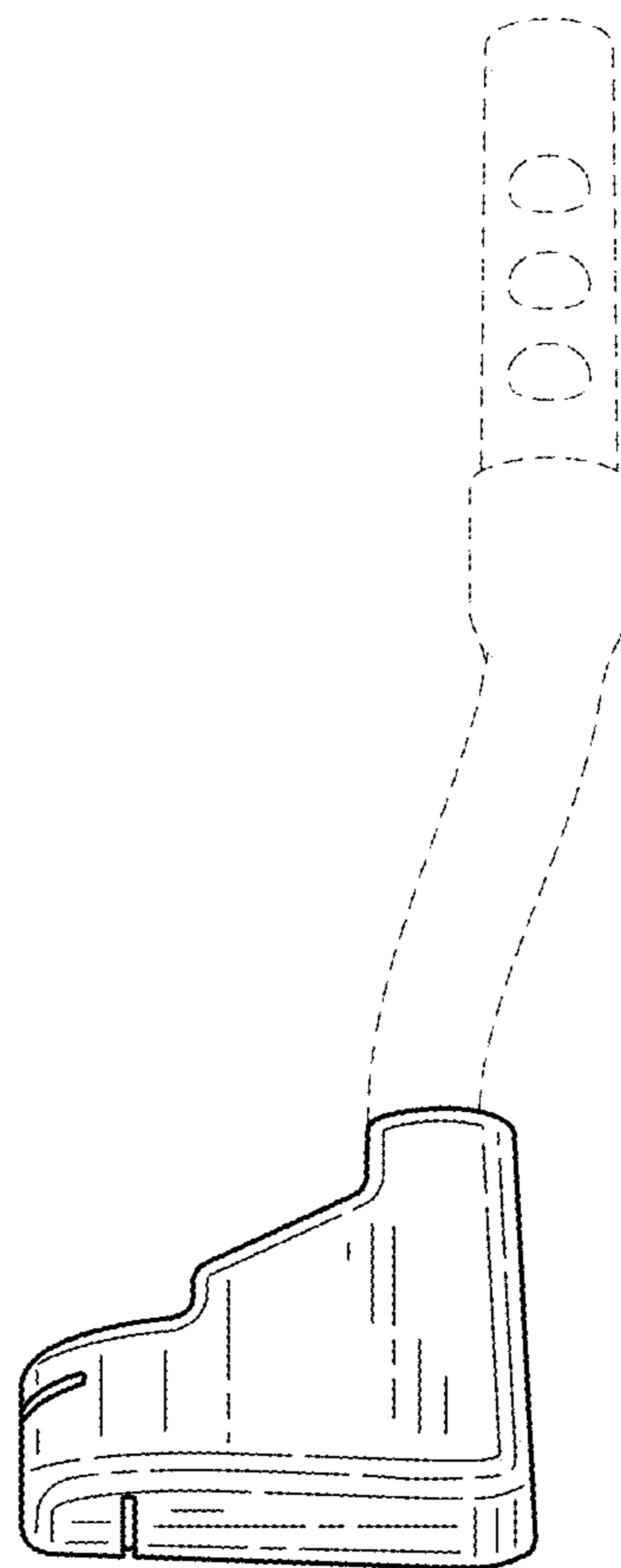


FIG. 16