



US00D903791S

(12) **United States Design Patent** (10) **Patent No.:** **US D903,791 S**
Jones (45) **Date of Patent:** **** Dec. 1, 2020**

(54) **FRAME FOR EXERCISING**
(71) Applicant: **Brunswick Corporation**, Mettawa, IL (US)
(72) Inventor: **Allison Elaine Jones**, Elk River, MN (US)
(73) Assignee: **Life Fitness, LLC**, Rosemont, IL (US)
(**) Term: **15 Years**
(21) Appl. No.: **29/669,039**
(22) Filed: **Nov. 5, 2018**
(51) **LOC (12) Cl.** **21-02**
(52) **U.S. Cl.**
USPC **D21/686**
(58) **Field of Classification Search**
USPC D21/673, 679, 681, 682, 686, 691, 694;
D25/62, 66
CPC A63B 21/072; A63B 21/0724; A63B
21/0728; A63B 1/00; A63B 21/0023;
A63B 21/0601; A63B 21/015
See application file for complete search history.

D746,387 S * 12/2015 Alessandri D21/673
D843,520 S * 3/2019 Thompson D21/691
D843,521 S * 3/2019 Haddad D21/691
D849,858 S * 5/2019 Deis D21/691
D853,506 S * 7/2019 Arceta D21/686
D855,721 S * 8/2019 Bentsen D21/691
D861,806 S * 10/2019 Arceta D21/686
D868,911 S * 12/2019 Rogers D21/691
2005/0009671 A1* 1/2005 Hummer, Jr. A63B 21/078
482/94
2009/0211996 A1* 8/2009 Webber A63B 71/0036
211/85.7
2010/0152007 A1* 6/2010 Le A63B 26/003
482/148

* cited by examiner

Primary Examiner — Cynthia Ramirez
Assistant Examiner — Michael A Maharajh
(74) *Attorney, Agent, or Firm* — Andrus Intellectual Property Law, LLP

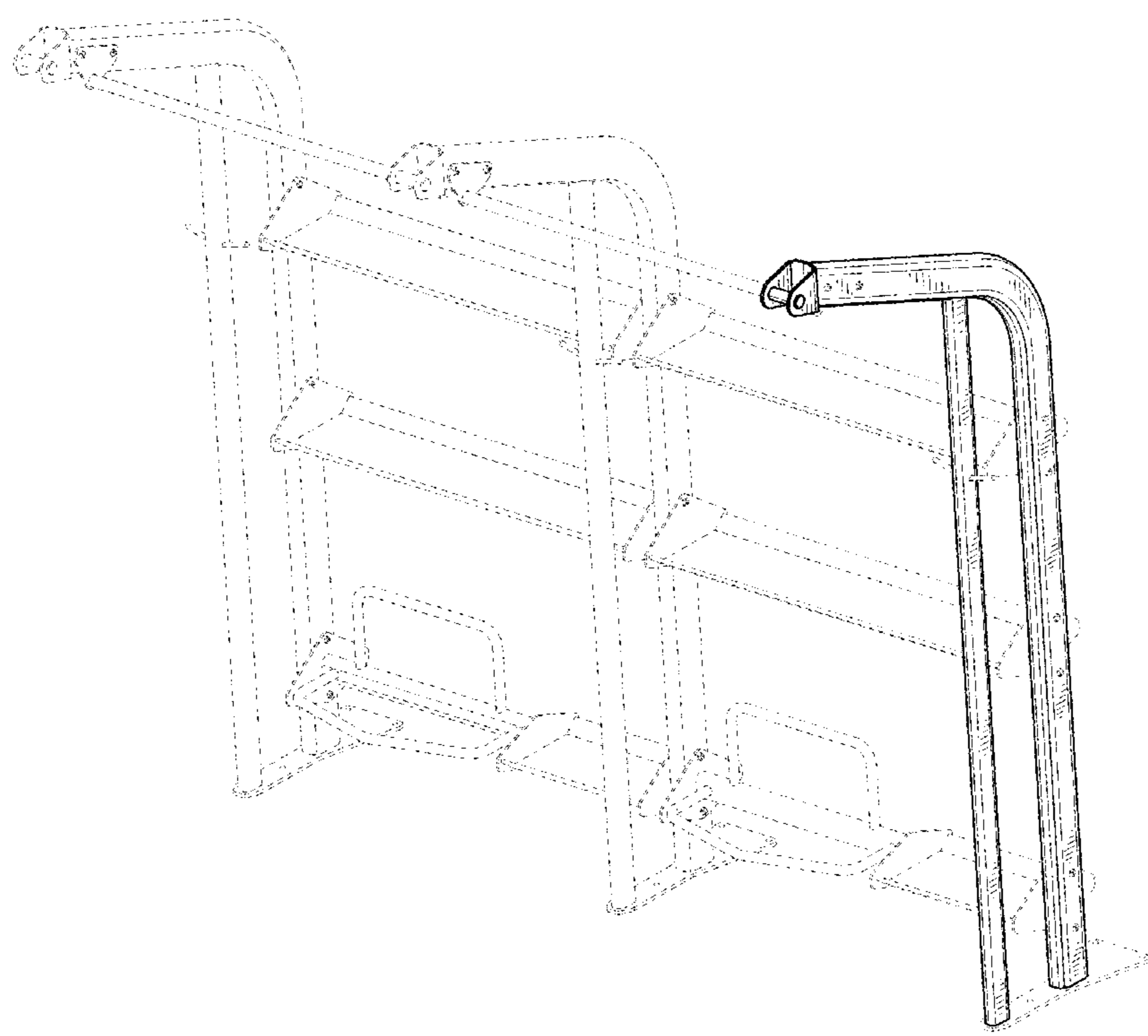
(57) **CLAIM**
The ornamental design for a frame for exercising, as shown and described.

DESCRIPTION

FIG. 1 is a perspective view of a frame for exercising showing my new design.
FIG. 2 is a front view thereof.
FIG. 3 is a rear view thereof.
FIG. 4 is a side view thereof.
FIG. 5 is another side view thereof.
FIG. 6 is a top view thereof; and,
FIG. 7 is a bottom view thereof.
The broken lines in the drawings illustrate portions of the frame for exercising that are not part of the claimed design.

1 Claim, 6 Drawing Sheets

(56) **References Cited**
U.S. PATENT DOCUMENTS
D412,953 S * 8/1999 Armstrong D21/669
D506,516 S * 6/2005 Yang D21/686
D509,548 S * 9/2005 Heitzman D21/662
D519,586 S * 4/2006 Schulz D21/691
D698,402 S * 1/2014 Saletta D21/686
D701,581 S * 3/2014 Heitzman D21/686



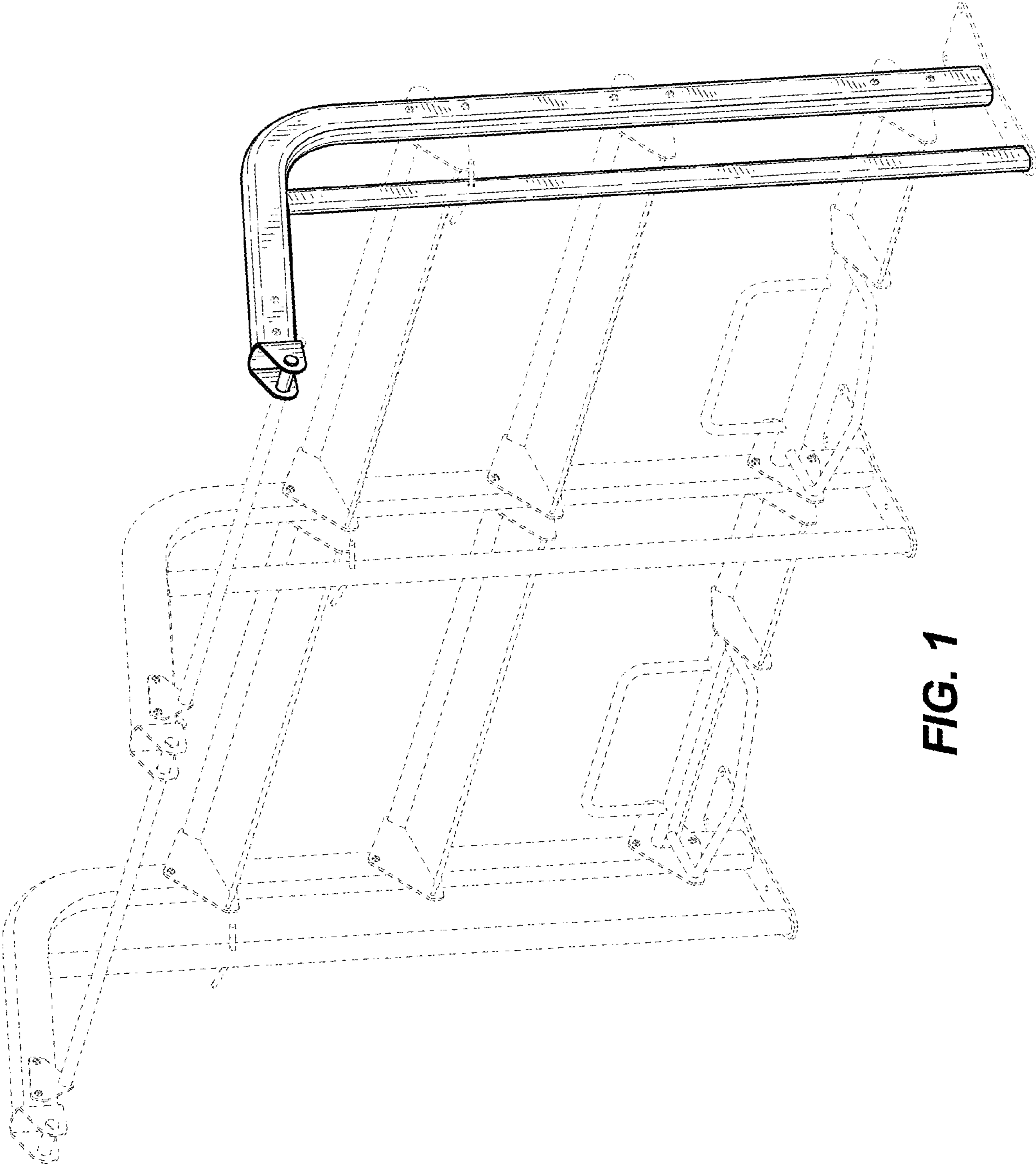


FIG. 1

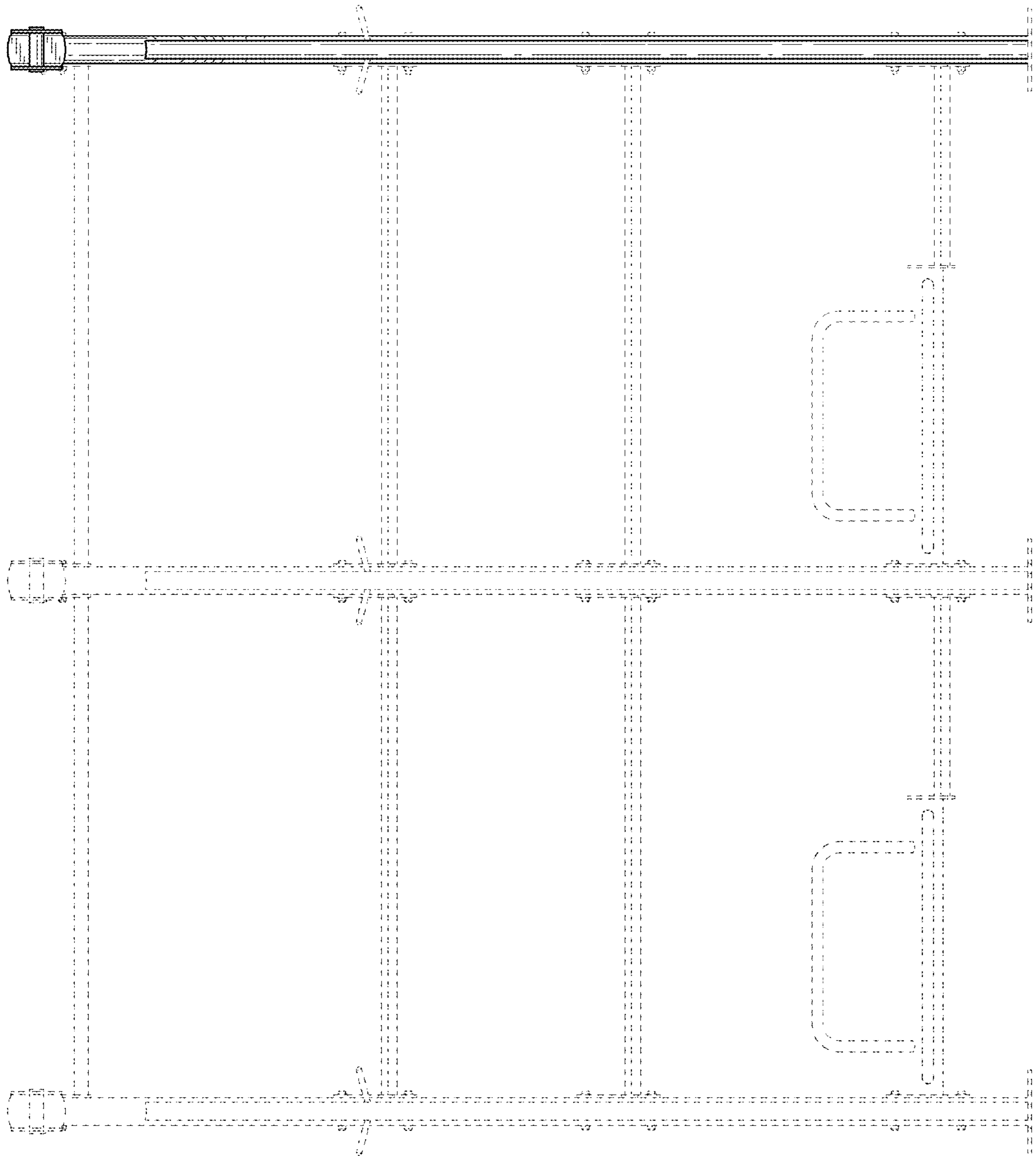


FIG. 2

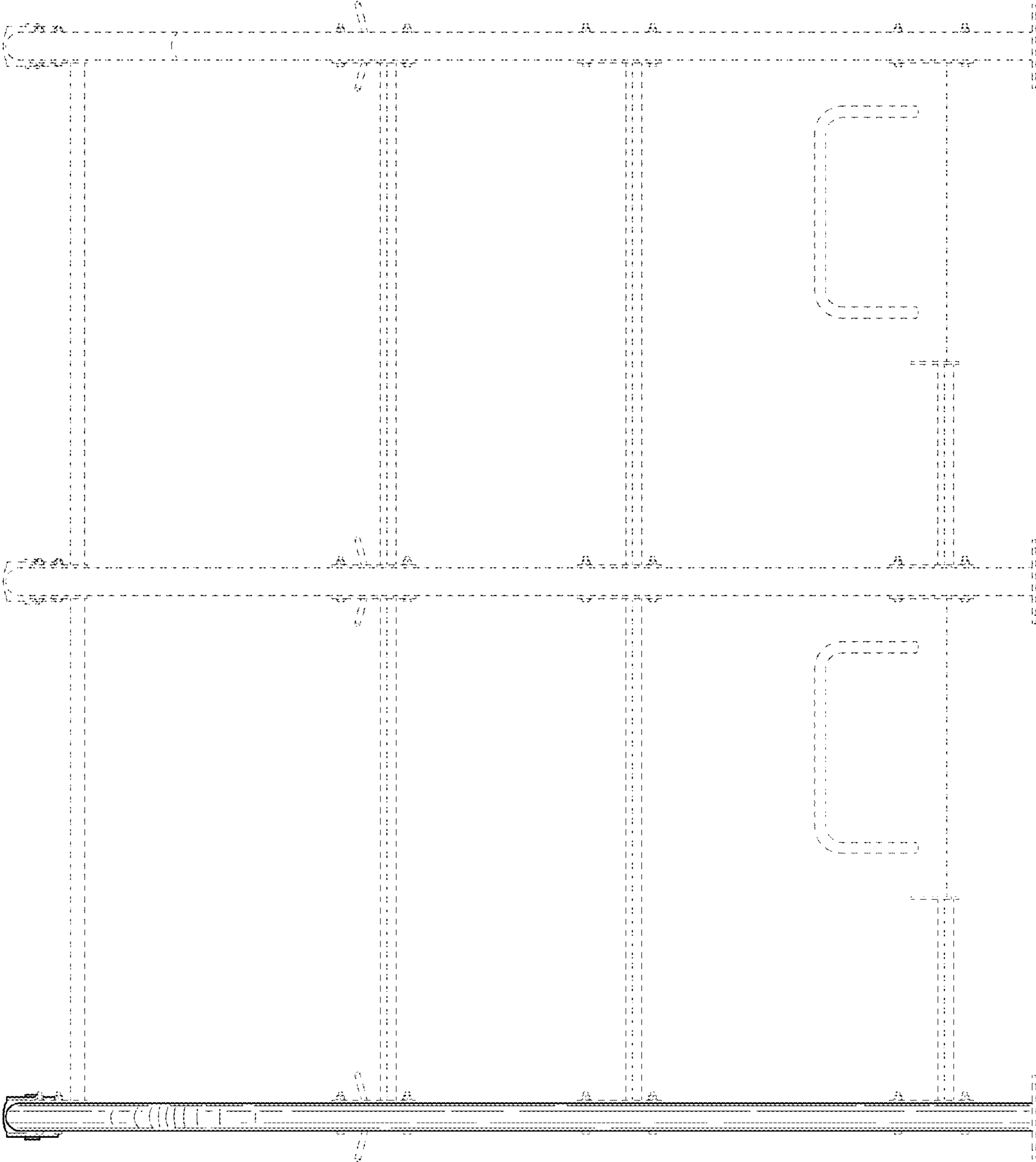


FIG. 3

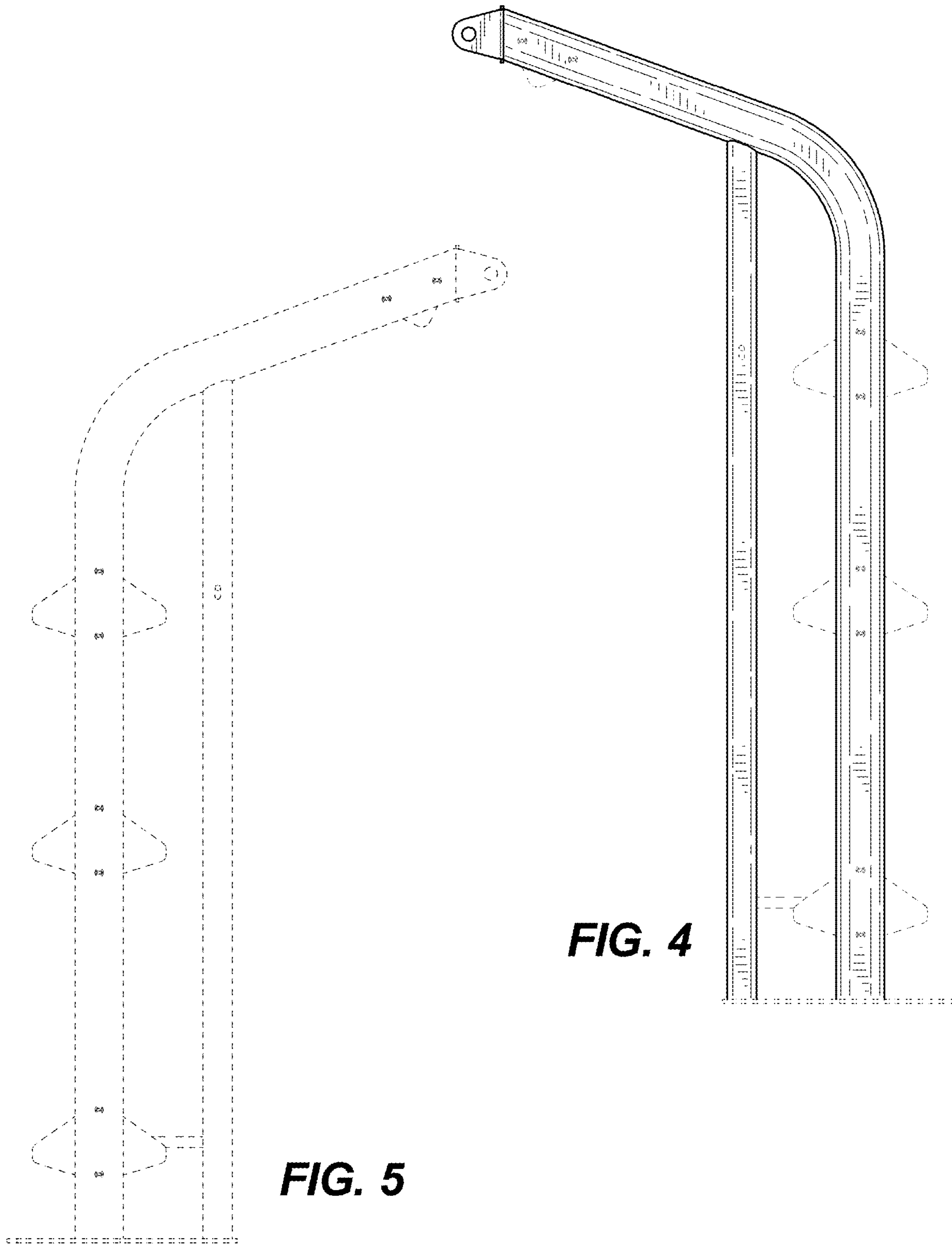


FIG. 4

FIG. 5

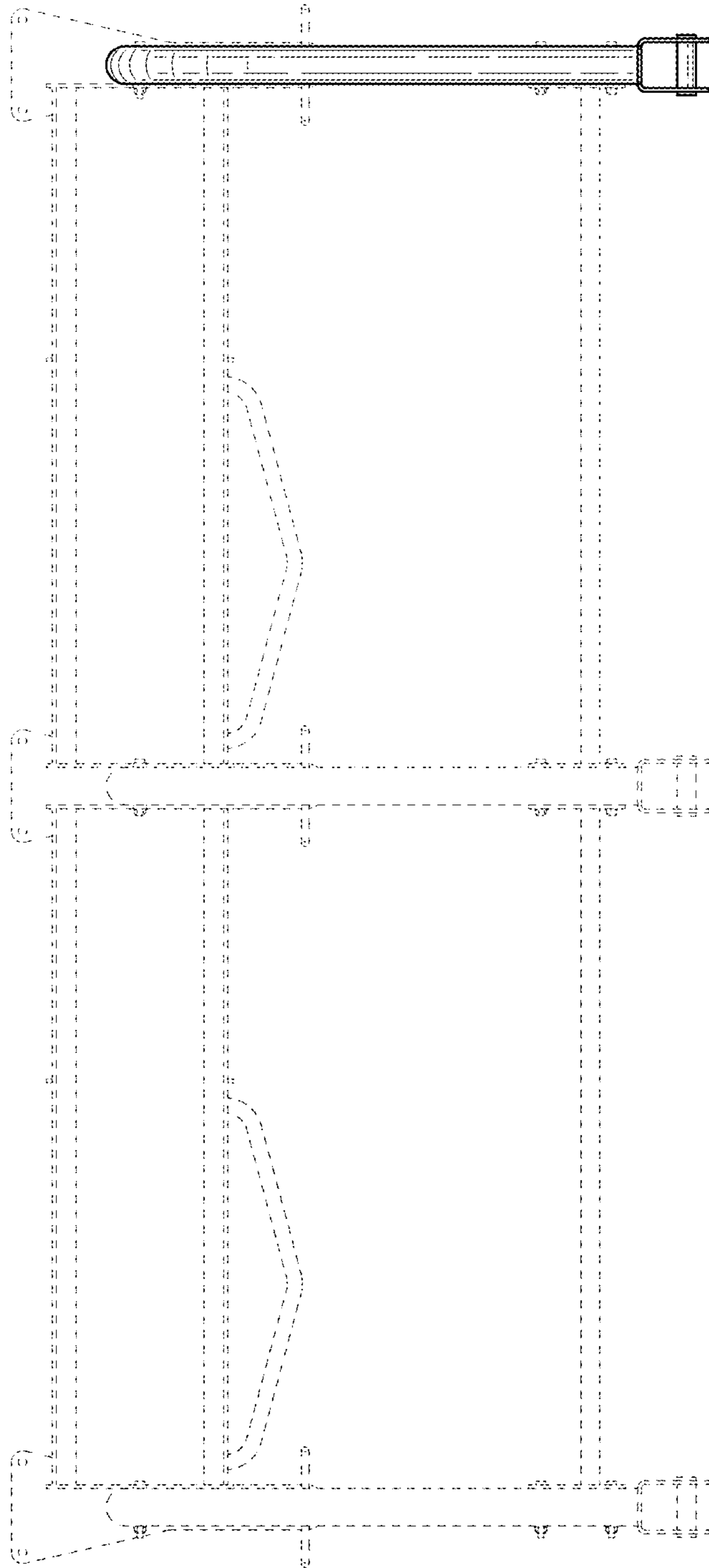


FIG. 6

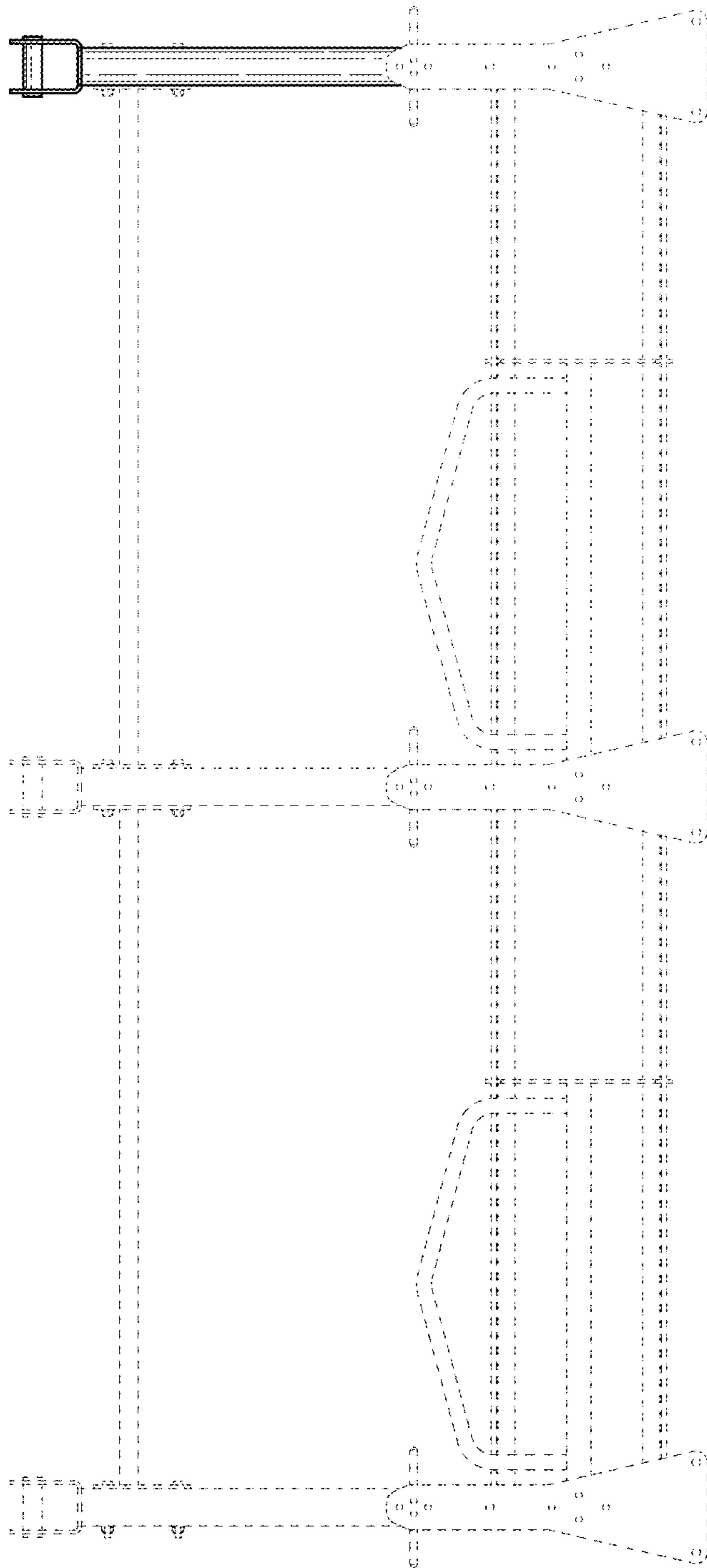


FIG. 7