



US00D903788S

(12) **United States Design Patent** (10) **Patent No.:** **US D903,788 S**
Chen (45) **Date of Patent:** **** Dec. 1, 2020**

(54) **WATCH-SHAPED TOY**
(71) Applicant: **Huanqun Chen**, Shantou (CN)
(72) Inventor: **Huanqun Chen**, Shantou (CN)
(**) Term: **15 Years**

(21) Appl. No.: **29/702,814**
(22) Filed: **Aug. 22, 2019**

(30) **Foreign Application Priority Data**

Feb. 26, 2019 (CN) 2019 3 0077633

(51) **LOC (12) Cl.** **21-01**

(52) **U.S. Cl.**
USPC **D21/531; D21/533**

(58) **Field of Classification Search**
USPC D21/515-516, 519, 522-525, 528,
D21/530-533, 548-555
CPC B05B 17/08; B05B 17/00; E03C 1/08;
B28B 1/00; A63H 33/00; A44C 5/14;
G04B 37/1486
See application file for complete search history.

(56) **References Cited**

U.S. PATENT DOCUMENTS

D284,453 S * 7/1986 Nakane D10/32
D288,343 S * 2/1987 Ogawa D21/531
D298,443 S * 11/1988 Chammah D21/548
D333,497 S * 2/1993 Revell D21/551
5,440,526 A * 8/1995 Pierce A63H 13/00
368/229
D432,596 S * 10/2000 Rosen D21/552
D433,466 S * 11/2000 Tsai D21/548
6,502,981 B2 * 1/2003 Haida A44C 5/14
368/276
D604,779 S * 11/2009 Chan D14/192
D632,347 S * 2/2011 Hornsby D21/548
D721,405 S * 1/2015 Nishizawa D21/398
D722,653 S * 2/2015 Nishizawa D21/398
D758,504 S * 6/2016 Shimoda D21/531
D785,718 S * 5/2017 Kuramoto D21/531

D808,284 S * 1/2018 Seagrim D10/40
D818,397 S * 5/2018 Makela D12/86
D835,207 S * 12/2018 Exley D21/424

FOREIGN PATENT DOCUMENTS

CN 305087932 * 3/2019

OTHER PUBLICATIONS

Mini Alloy Bus/Taxi Style Toy Watch, AliExpress website 2020, <https://www.aliexpress.com/item/4000960892167.html>, site visited Sep. 14, 2020.*

RC Mini Cartoon Watch Car Gravity Sensing Remote Control Toy Car, DHGate website 2020, <https://www.dhgate.com/product/rc-mini-cartoon-watch-car-gravity-sensing/464060245.html> . . . site visited Sep. 13, 2020.*

* cited by examiner

Primary Examiner — John R Yeh
(74) *Attorney, Agent, or Firm* — ScienBiziP, P.C.

(57) **CLAIM**

The ornamental design for a watch-shaped toy, as shown and described.

DESCRIPTION

FIG. 1 is a first perspective view of a watch-shaped toy, showing my design.

FIG. 2 is a second perspective view thereof.

FIG. 3 is a front elevation view thereof.

FIG. 4 is a rear elevation view thereof.

FIG. 5 is a left side elevation view thereof.

FIG. 6 is a right side elevation view thereof.

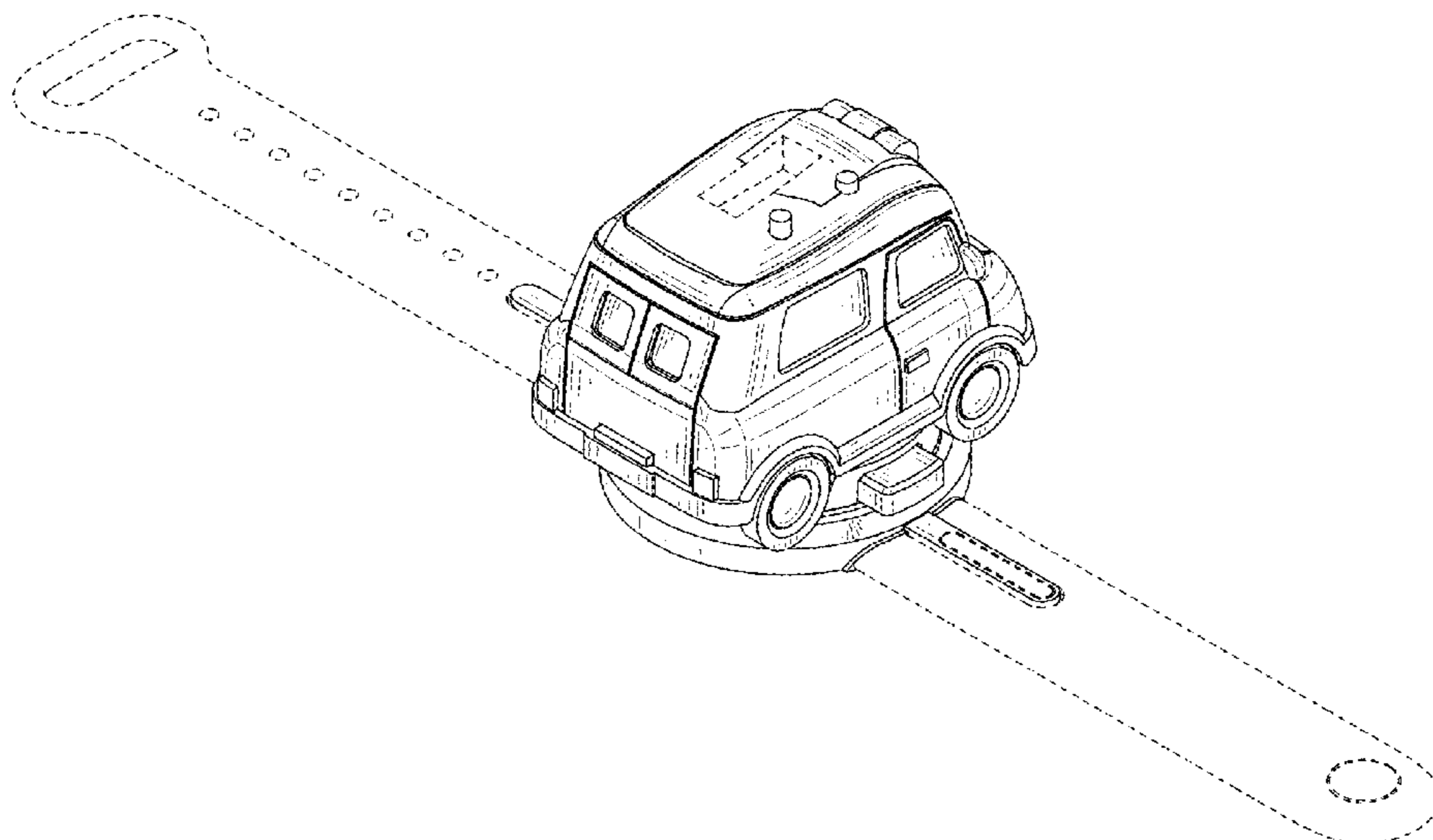
FIG. 7 is a top plan view thereof.

FIG. 8 is a bottom plan view thereof; and,

FIG. 9 is an enlarged view of an area labeled 9 in FIG. 2 of the watch-shaped toy.

The details shown in broken lines form no part of the claimed design.

1 Claim, 9 Drawing Sheets



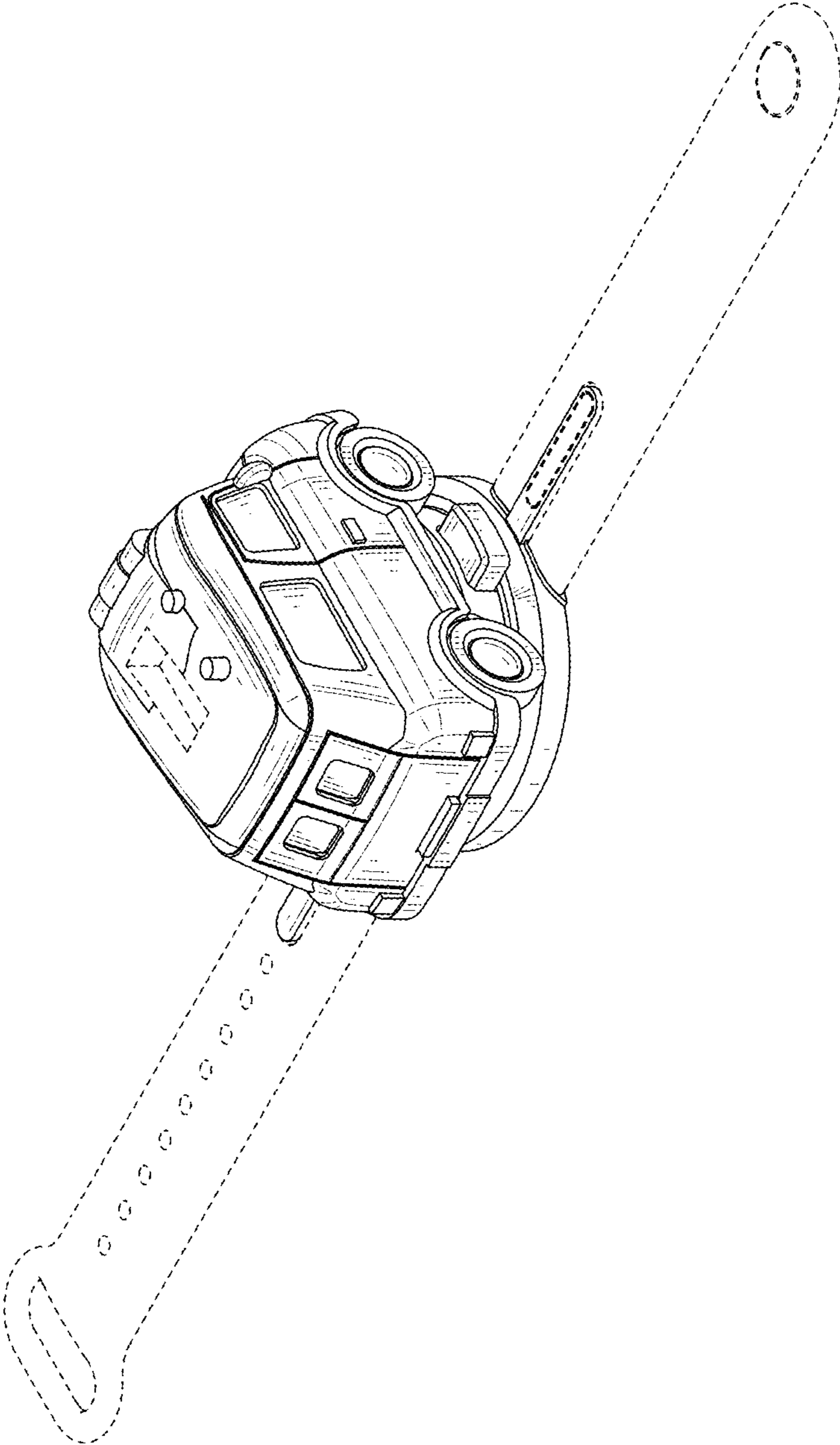


FIG. 1

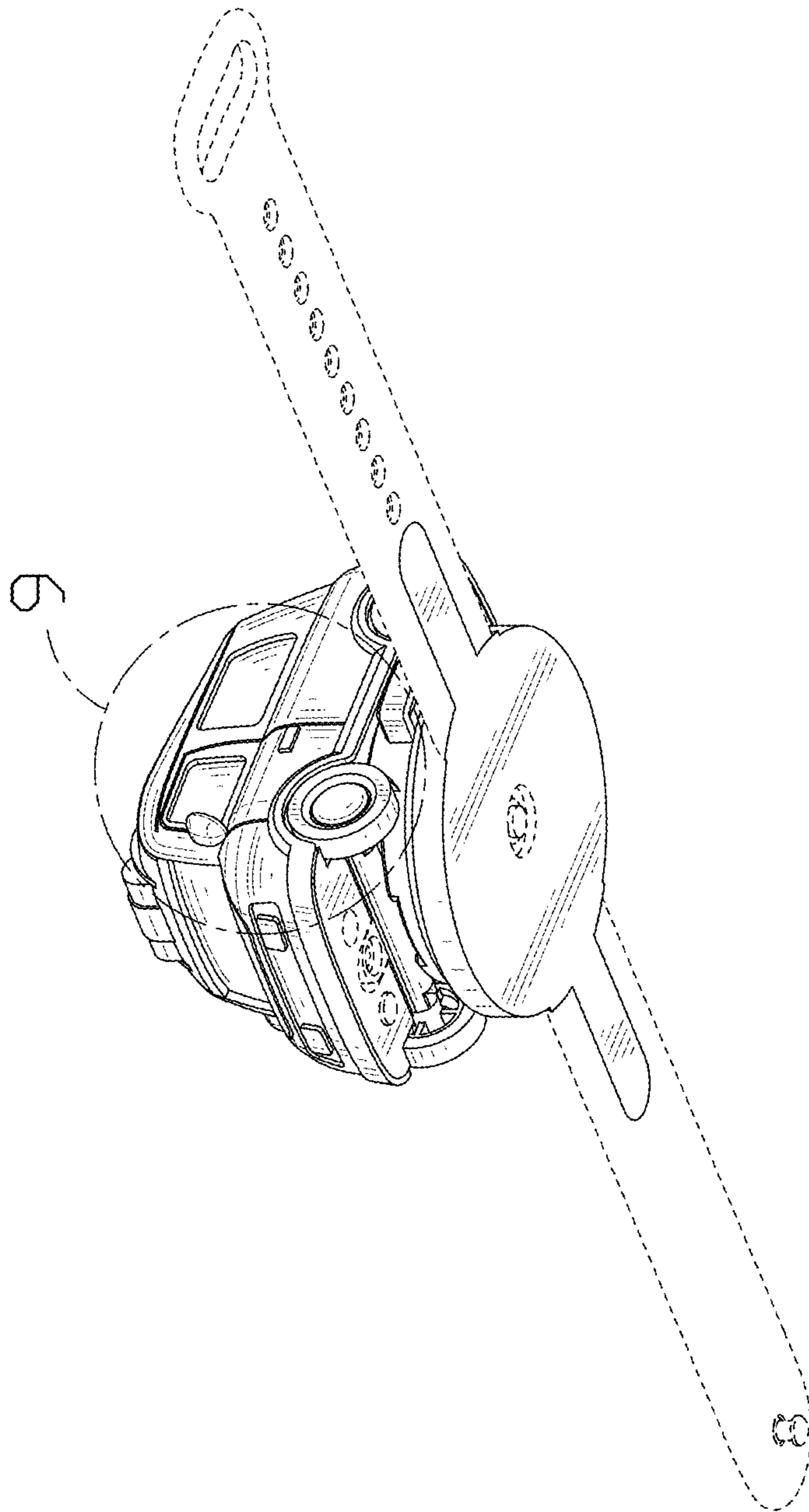


FIG. 2

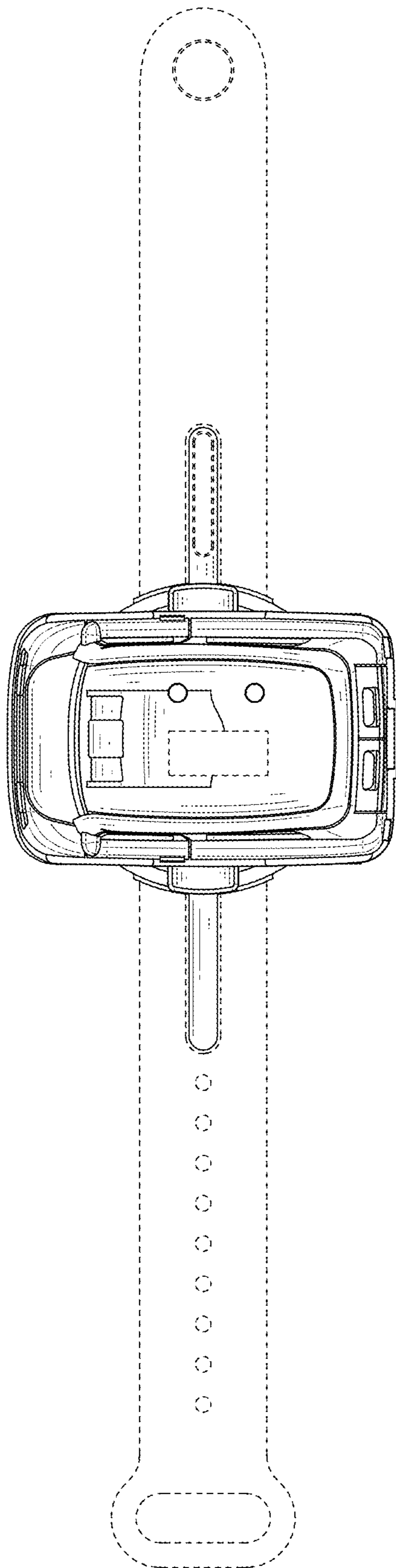


FIG. 3

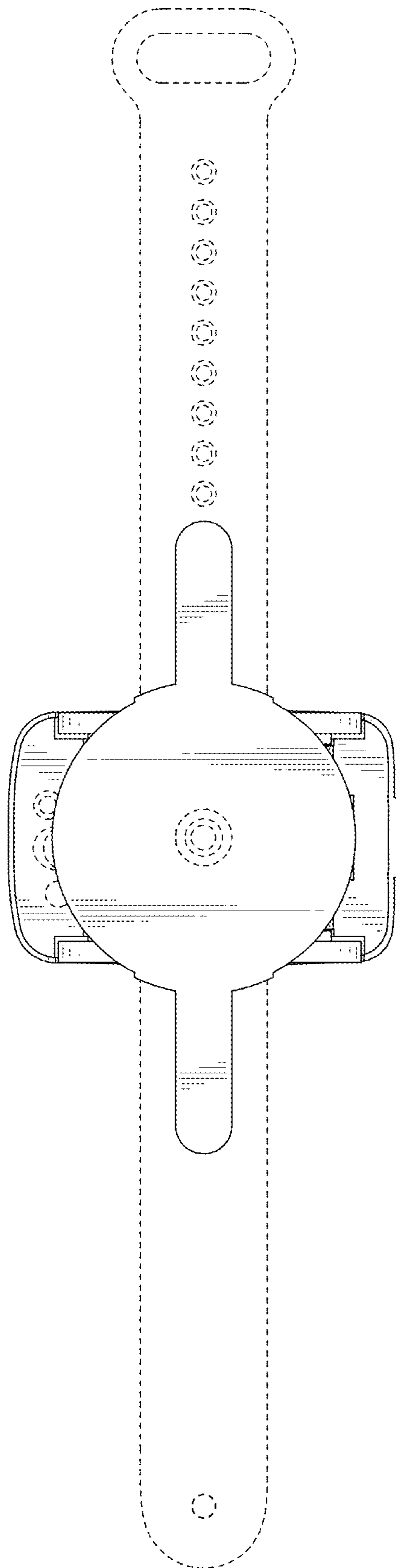


FIG. 4

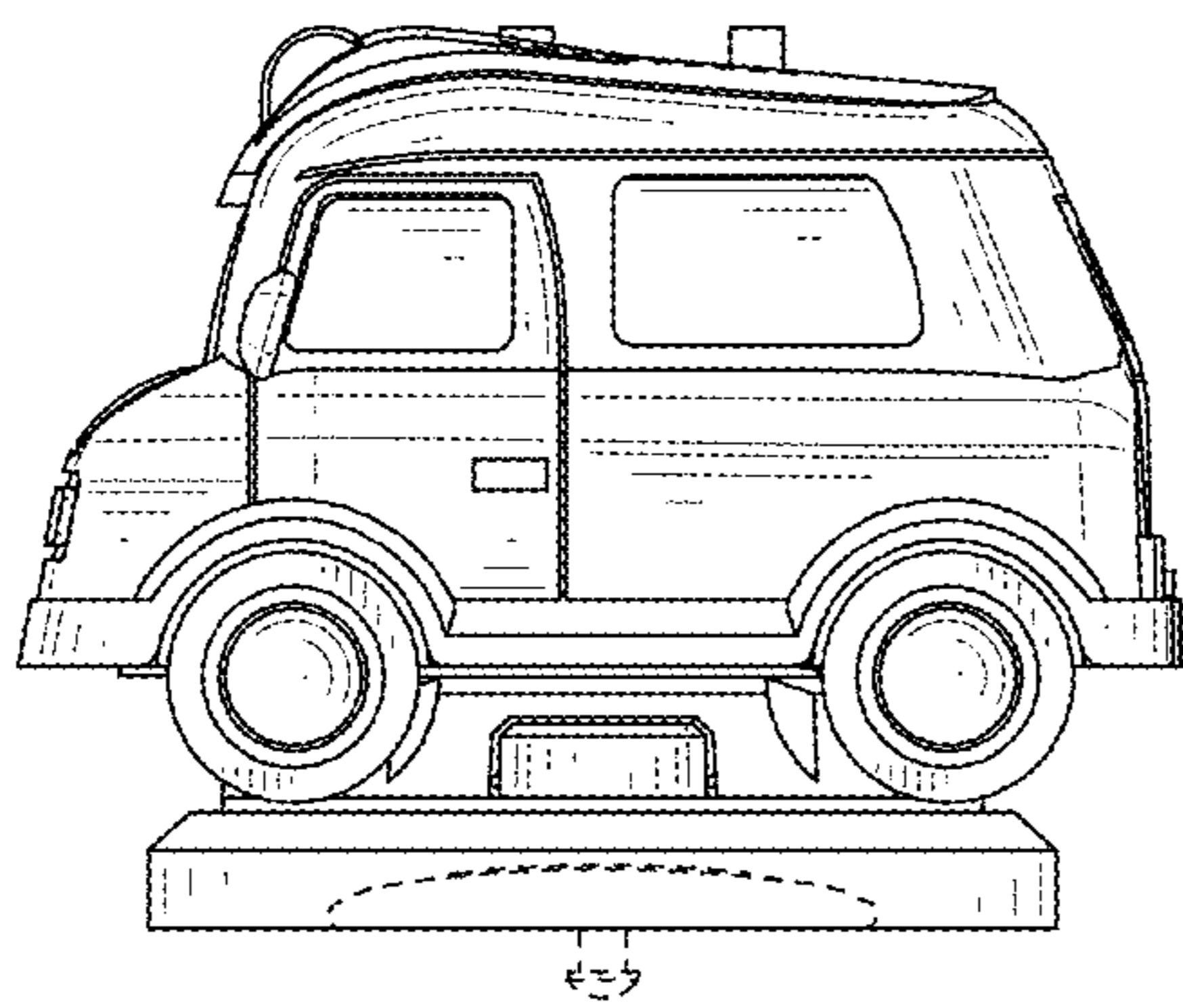


FIG. 5

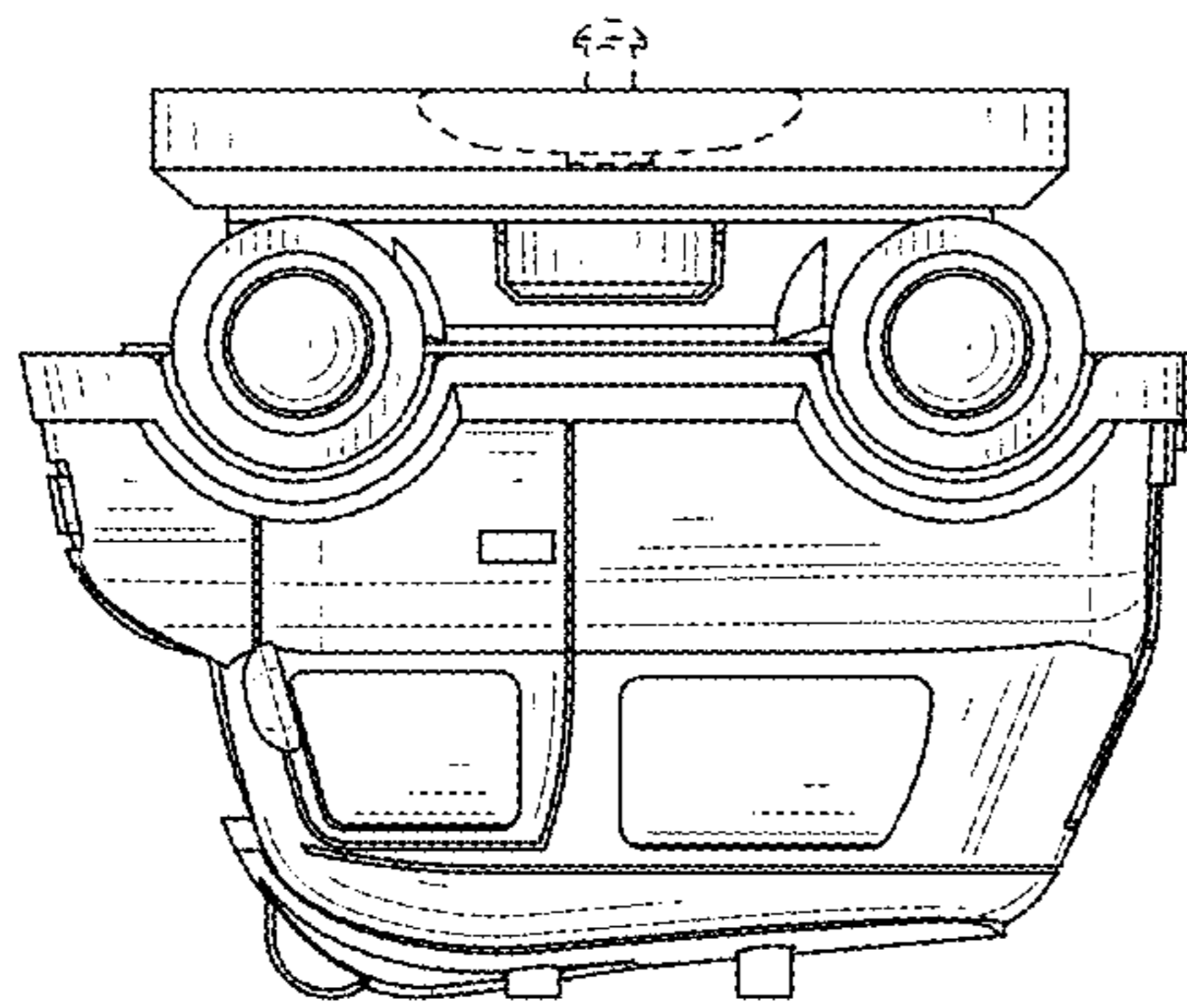


FIG. 6

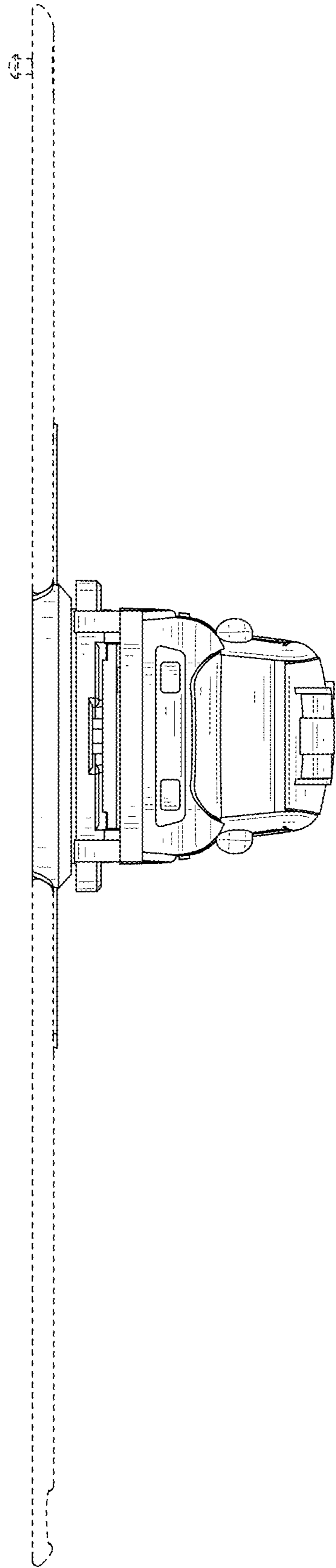


FIG. 7

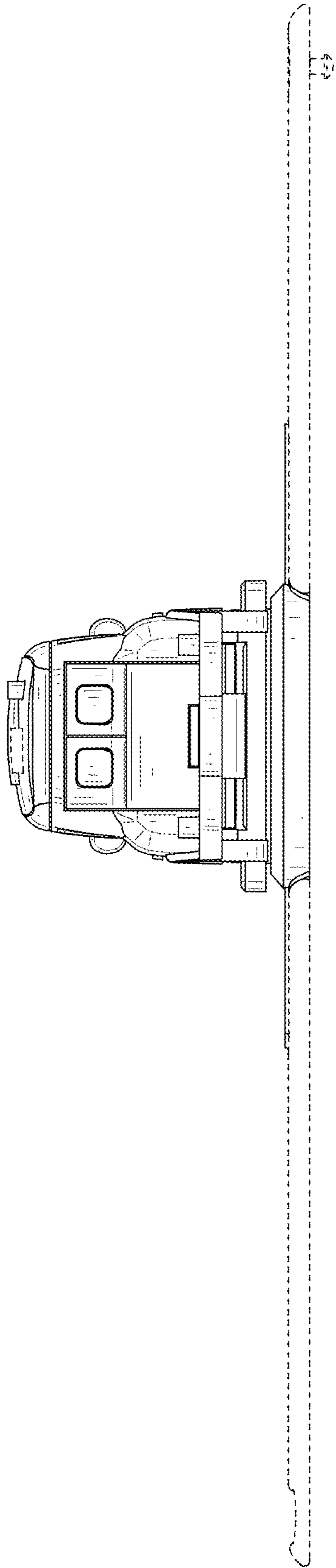


FIG. 8

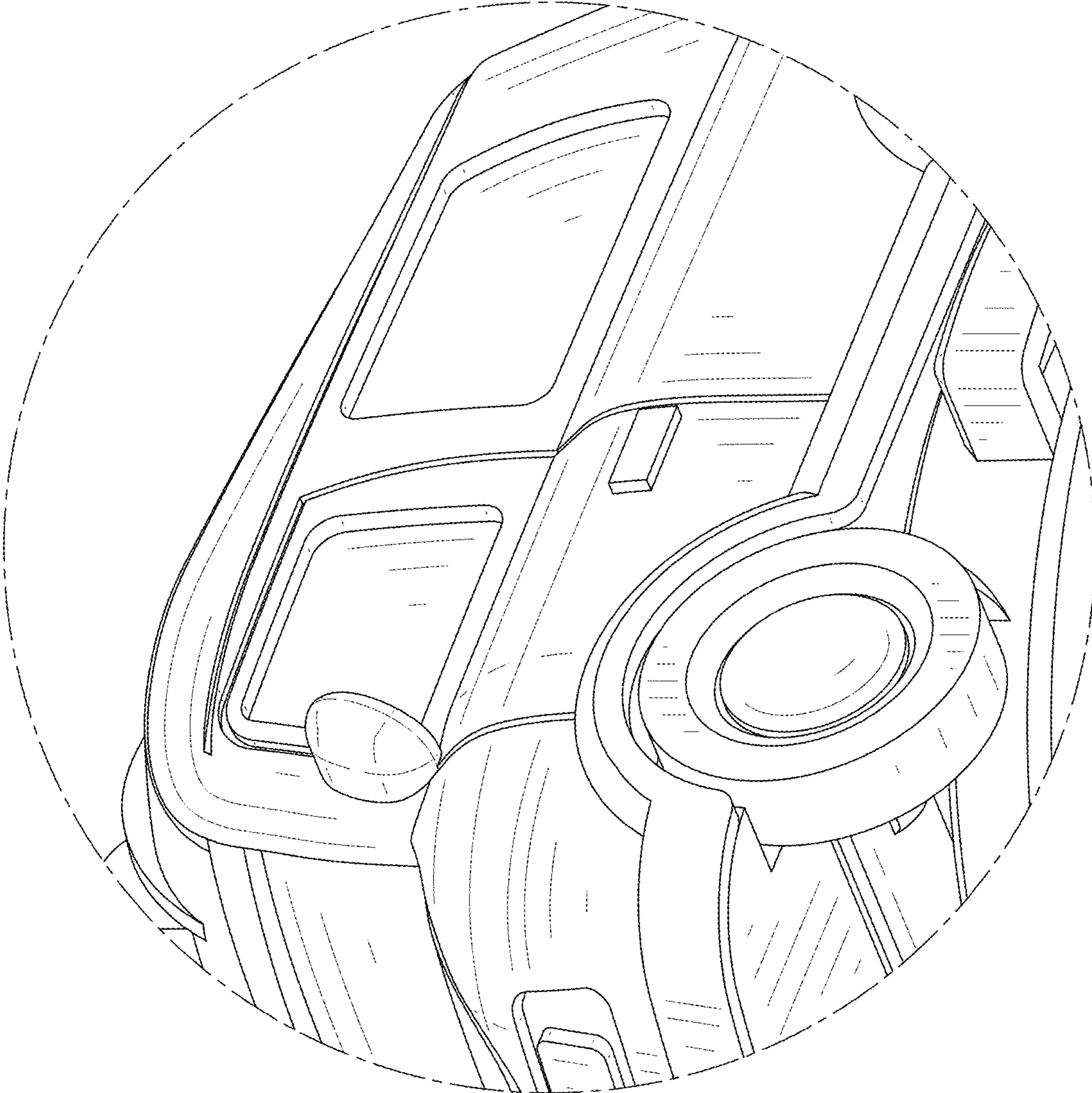


FIG. 9