



US00D903785S

(12) **United States Design Patent** (10) **Patent No.:** **US D903,785 S**  
**Chen** (45) **Date of Patent:** **\*\* Dec. 1, 2020**

(54) **WATCH-SHAPED TOY**  
(71) Applicant: **Huanqun Chen**, Shantou (CN)  
(72) Inventor: **Huanqun Chen**, Shantou (CN)  
(\*\*) Term: **15 Years**

D785,718 S \* 5/2017 Kuramoto ..... D21/531  
D808,284 S \* 1/2018 Seagrim ..... D10/40  
D818,397 S \* 5/2018 Makela ..... D12/86  
D835,207 S \* 12/2018 Exley ..... D21/424

(21) Appl. No.: **29/700,059**  
(22) Filed: **Jul. 31, 2019**

FOREIGN PATENT DOCUMENTS

CN 305087932 \* 3/2019

(30) **Foreign Application Priority Data**

Feb. 26, 2019 (CN) ..... 2019 3 0077250

(51) **LOC (12) Cl.** ..... **21-01**

(52) **U.S. Cl.**  
USPC ..... **D21/531; D21/533**

(58) **Field of Classification Search**  
USPC ..... D21/515-516, 519, 522-525, 528,  
D21/530-533, 548-555  
CPC ..... B05B 17/08; B05B 17/00; E03C 1/08;  
B28B 1/00; A63H 33/00; A44C 5/14;  
G04B 37/1486

See application file for complete search history.

OTHER PUBLICATIONS

Mini Alloy Bus/Taxi Style Toy Watch, AliExpress website 2020, <https://www.aliexpress.com/item/4000960892167.html>, site visited Sep. 14, 2020.\*

RC Mini Cartoon Watch Car Gravity Sensing Remote Control Toy Car, DHGate website 2020, <https://www.dhgate.com/product/rc-mini-cartoon-watch-car-gravity-sensing/464060245.ht> . . . site visited Sep. 13, 2020.\*

\* cited by examiner

*Primary Examiner* — John R Yeh  
(74) *Attorney, Agent, or Firm* — ScienBiziP, P.C.

(56) **References Cited**

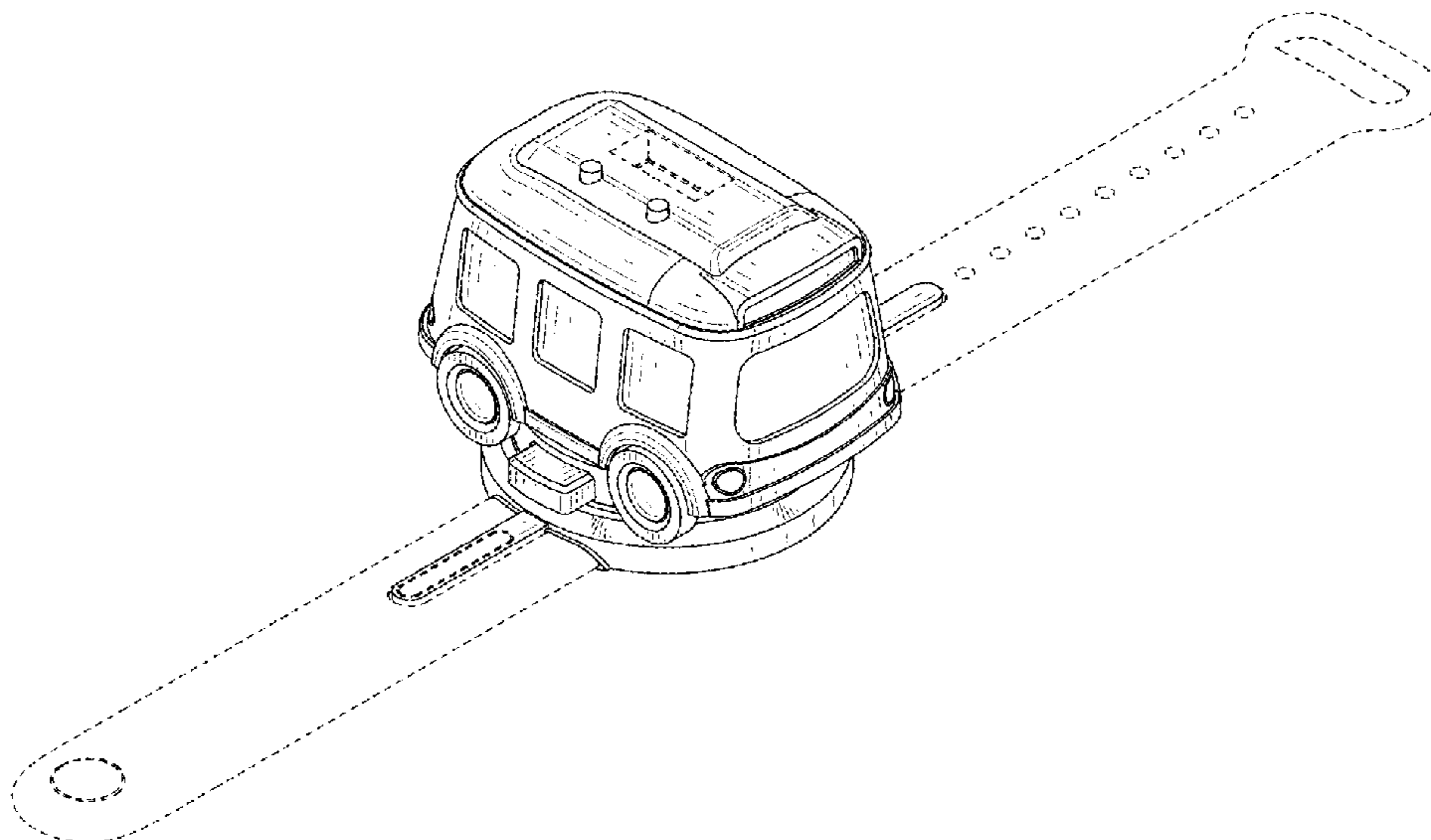
U.S. PATENT DOCUMENTS

D284,453 S \* 7/1986 Nakane ..... D10/32  
D288,343 S \* 2/1987 Ogawa ..... D21/531  
D298,443 S \* 11/1988 Chammah ..... D21/548  
D333,497 S \* 2/1993 Revell ..... D21/551  
5,440,526 A \* 8/1995 Pierce ..... A63H 13/00  
368/229  
D432,596 S \* 10/2000 Rosen ..... D21/552  
D433,466 S \* 11/2000 Tsai ..... D21/548  
6,502,981 B2 \* 1/2003 Haida ..... A44C 5/14  
368/276  
D604,779 S \* 11/2009 Chan ..... D14/192  
D632,347 S \* 2/2011 Hornsby ..... D21/548  
D721,405 S \* 1/2015 Nishizawa ..... D21/398  
D722,653 S \* 2/2015 Nishizawa ..... D21/398  
D758,504 S \* 6/2016 Shimoda ..... D21/531

DESCRIPTION

FIG. 1 is a first perspective view of a watch-shaped toy, showing my design.  
FIG. 2 is a second perspective view thereof.  
FIG. 3 is a front elevation view thereof.  
FIG. 4 is a rear elevation view thereof.  
FIG. 5 is a left side elevation view thereof.  
FIG. 6 is a right side elevation view thereof.  
FIG. 7 is a top plan view thereof; and,  
FIG. 8 is a bottom plan view thereof.  
The details shown in broken lines form no part of the claimed design.

**1 Claim, 8 Drawing Sheets**



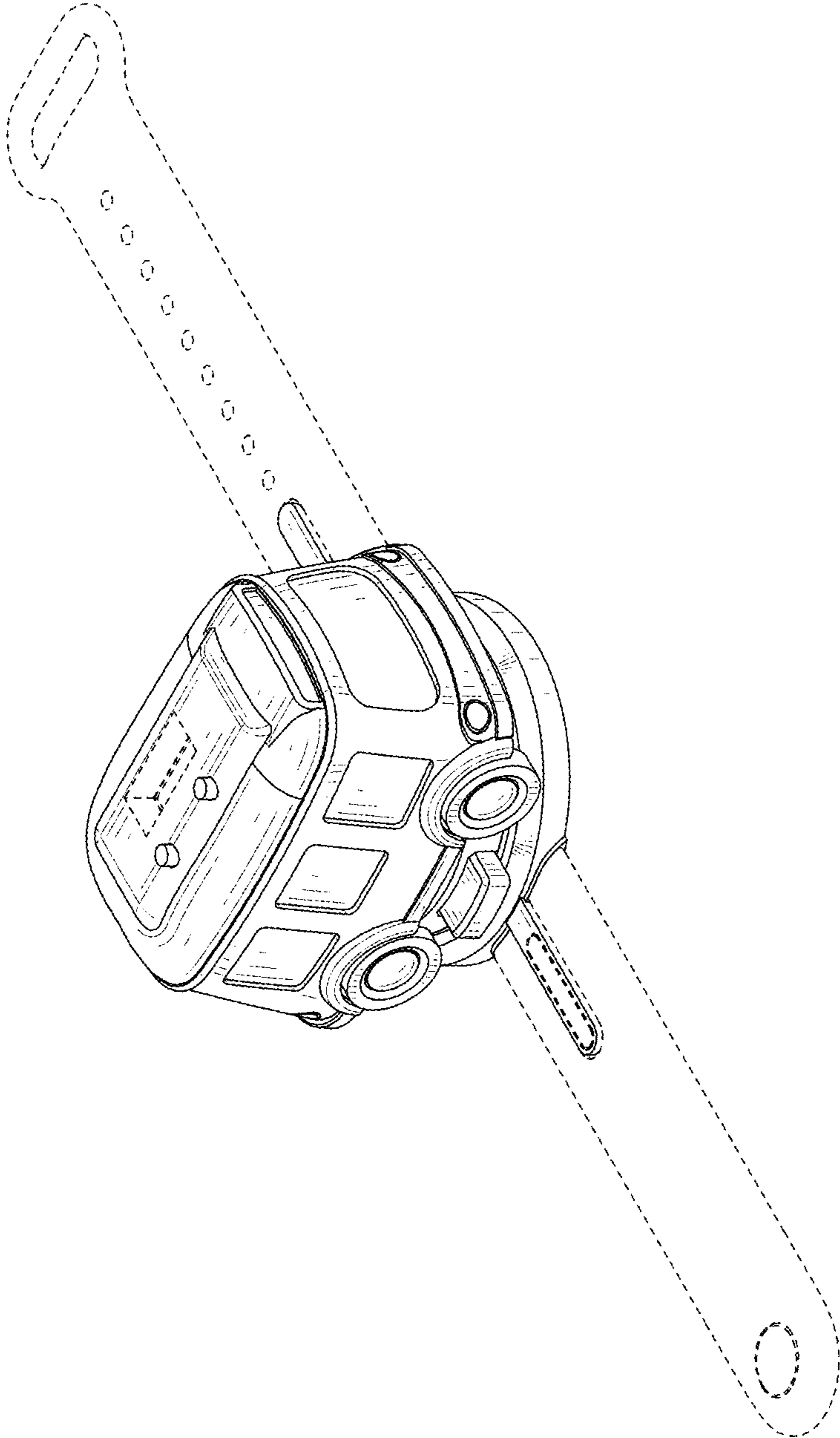


FIG. 1

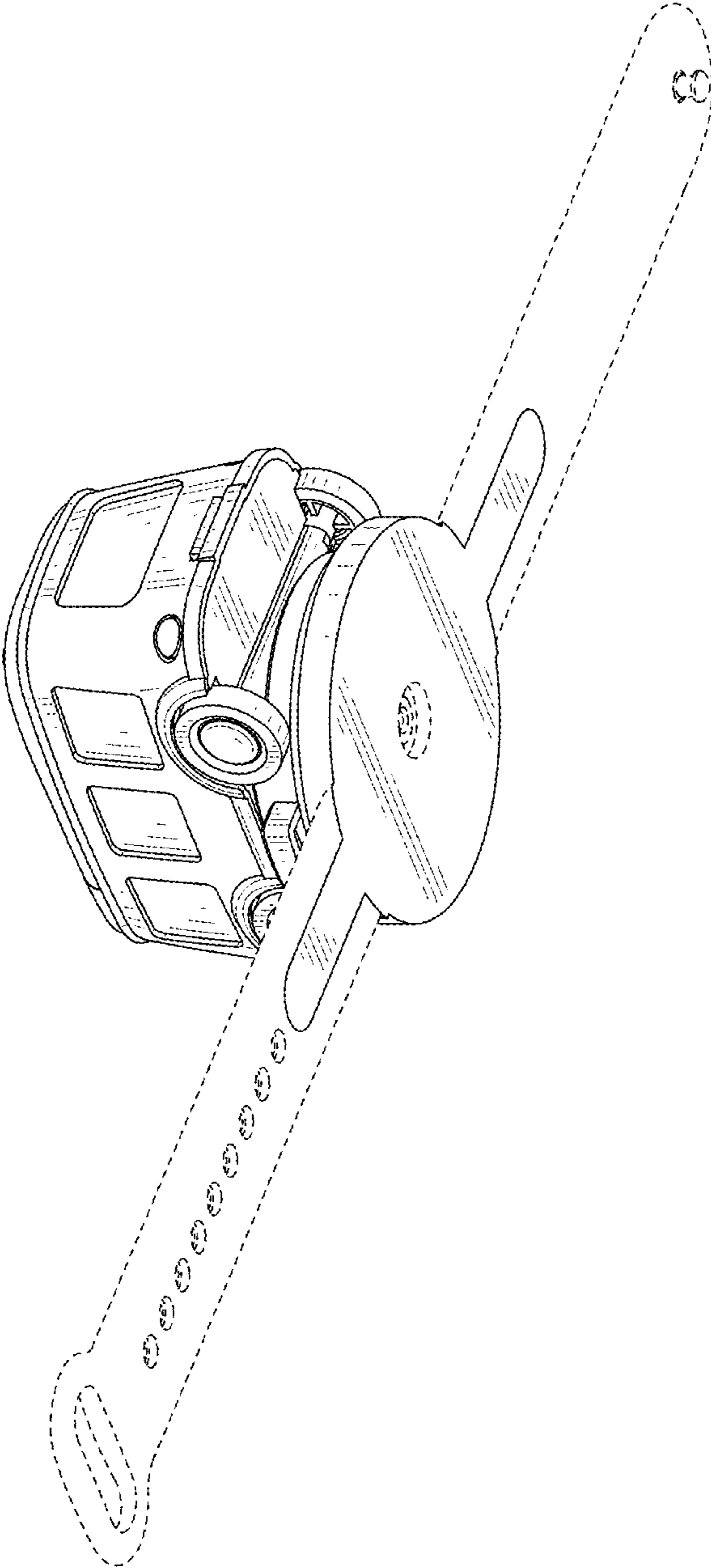


FIG. 2

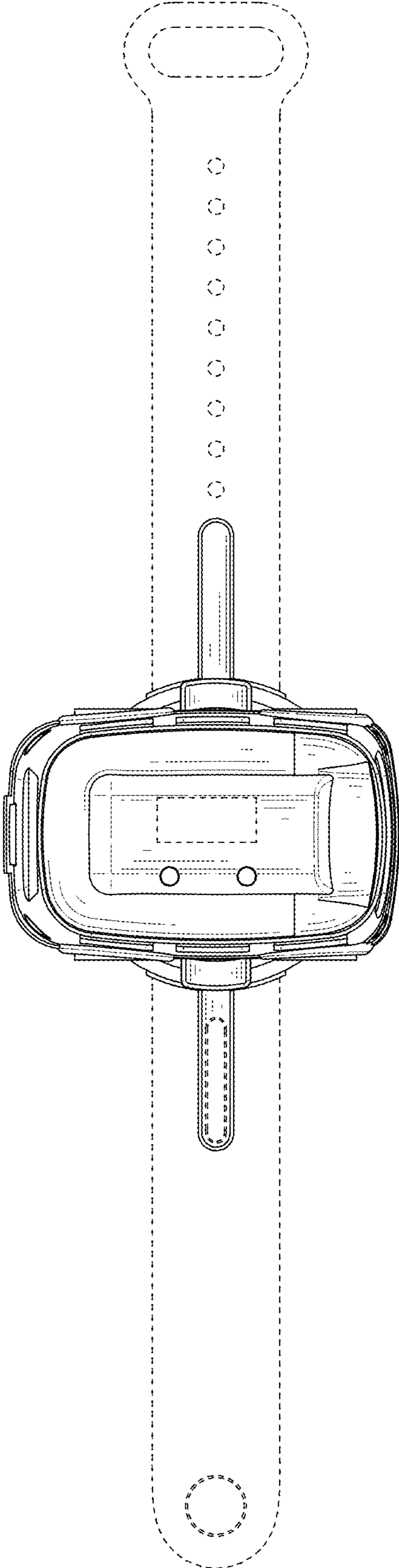


FIG. 3

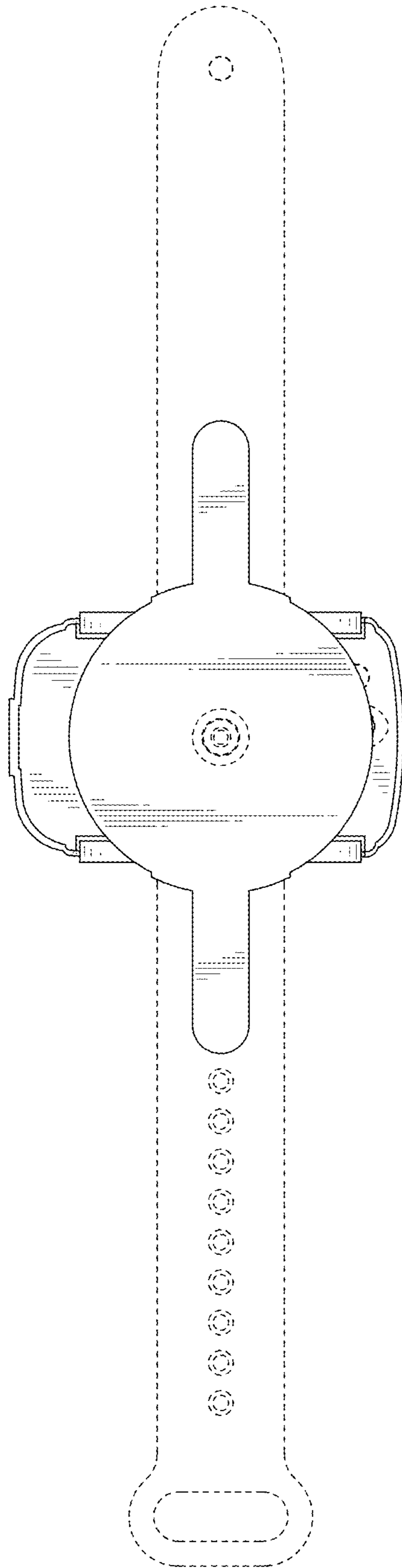


FIG. 4

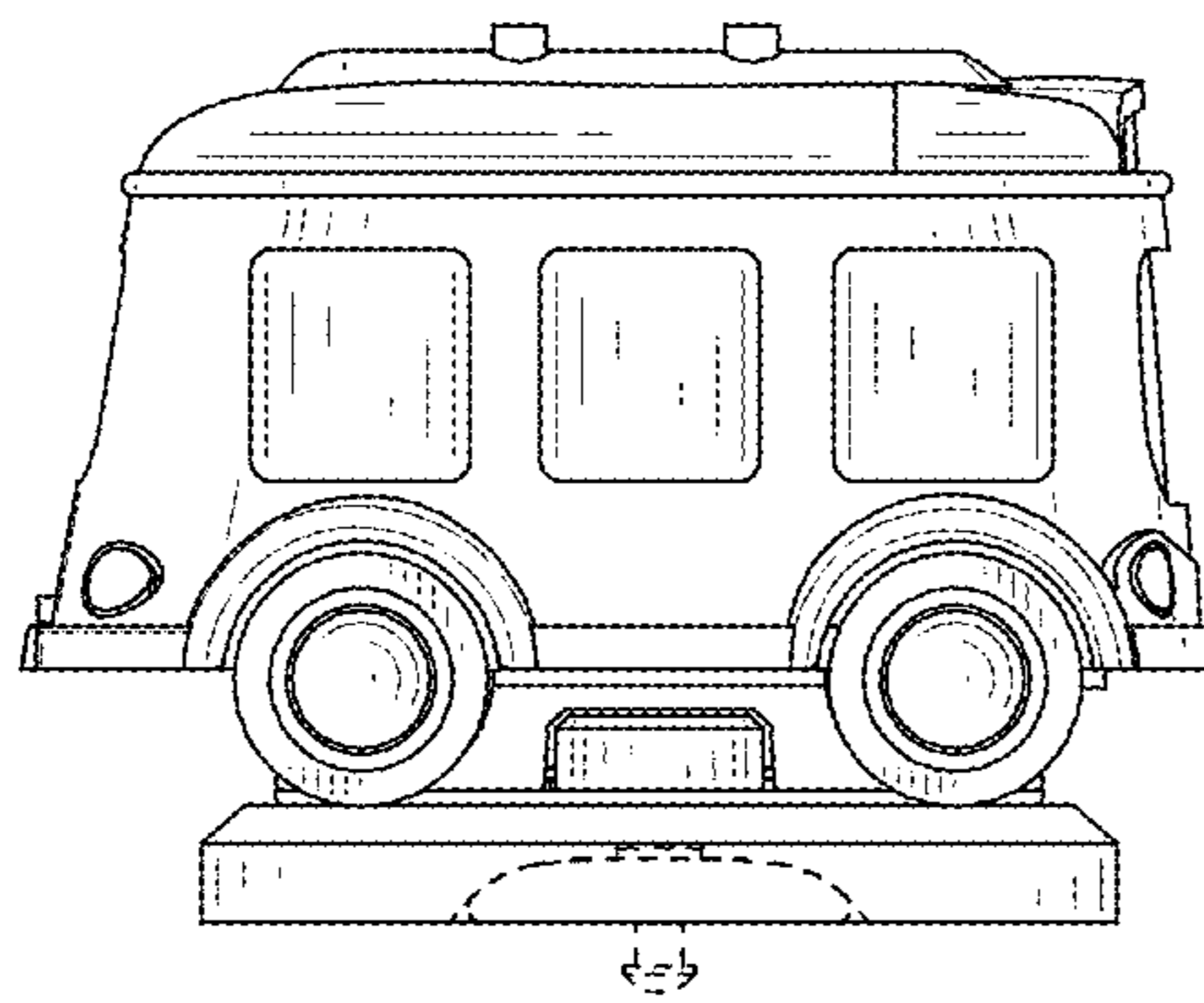


FIG. 5

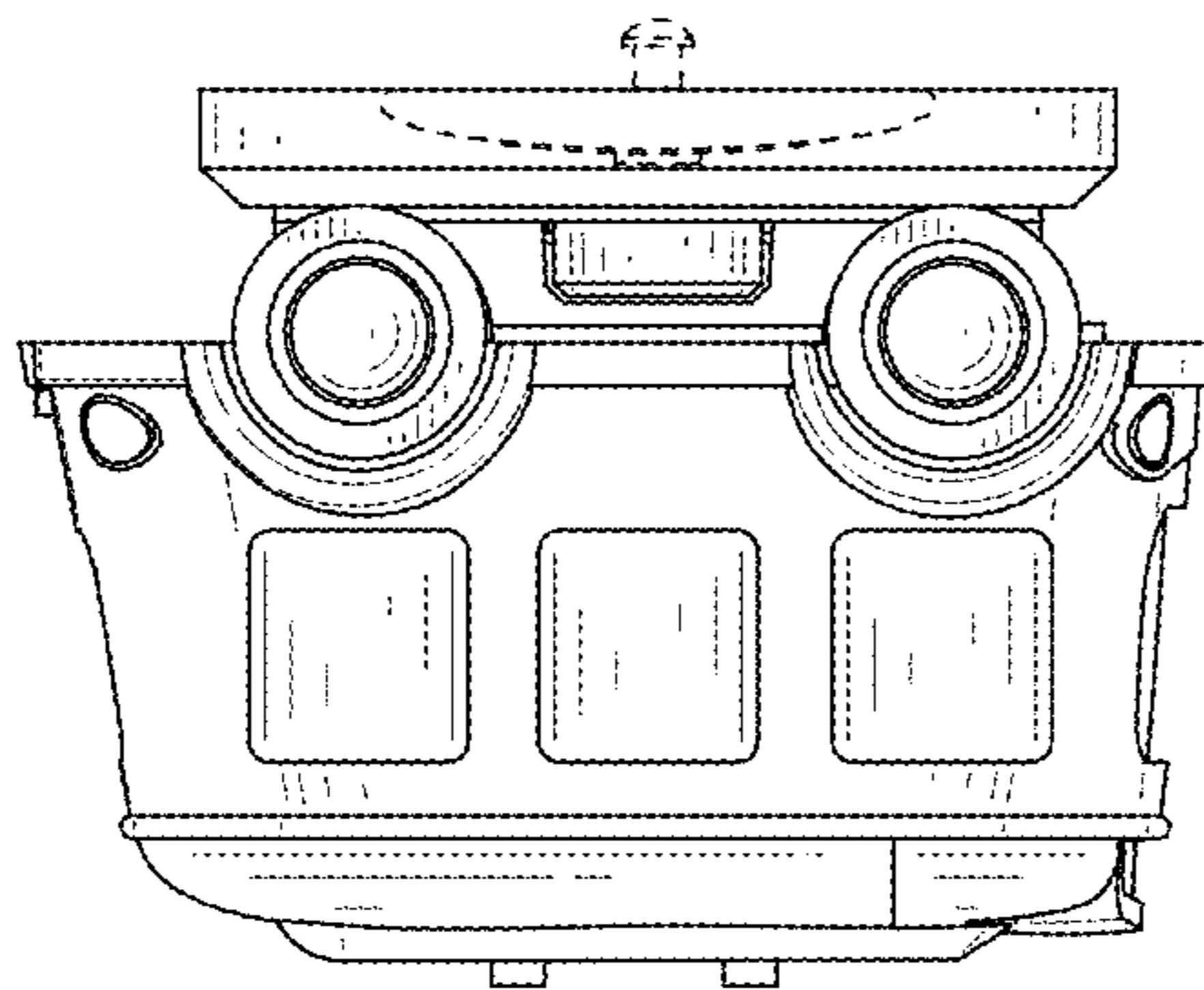


FIG. 6

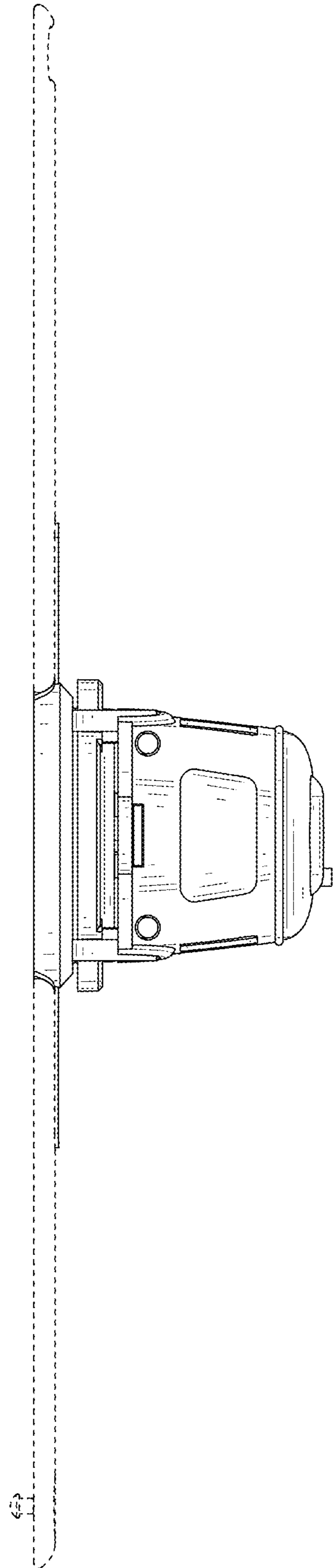


FIG. 7



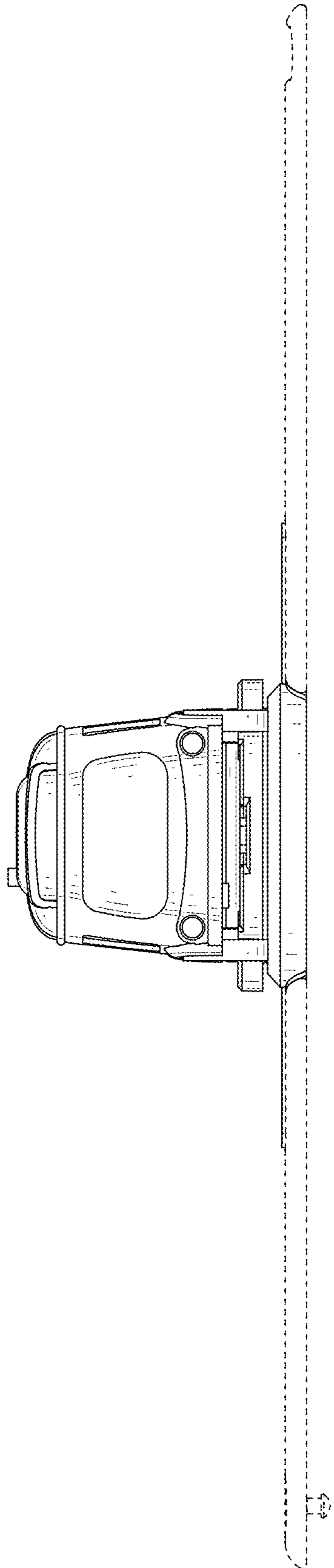


FIG. 8