



US00D903784S

(12) **United States Design Patent**
Semling

(10) **Patent No.:** **US D903,784 S**

(45) **Date of Patent:** **** Dec. 1, 2020**

(54) **TOY BUILDING BRICK**

(71) Applicant: **Brian's Toys Inc.**, Fountain City, WI (US)

(72) Inventor: **Brian Semling**, Fountain City, WI (US)

(**) Term: **15 Years**

(21) Appl. No.: **29/700,337**

(22) Filed: **Aug. 1, 2019**

(51) **LOC (12) Cl.** **21-01**

(52) **U.S. Cl.**

USPC **D21/499**

(58) **Field of Classification Search**

USPC D21/333, 373, 386, 389, 404, 468, 470,
D21/471, 475, 484-505; D24/101

CPC A63H 33/04; A63H 33/06; A63H 33/062;
A63H 33/08; A63H 33/088; A63F 9/12;
A63F 9/1224

See application file for complete search history.

(56) **References Cited**

U.S. PATENT DOCUMENTS

5,924,906 A *	7/1999	Grafton	A63H 33/10 411/339
D413,636 S *	9/1999	Laserna Fernandez	D21/499
D422,036 S *	3/2000	Laserna Fernandez	D21/499
D678,045 S *	3/2013	Paolini	D8/382
D758,501 S *	6/2016	Sorensen	D21/495
D806,180 S *	12/2017	Simonds	D21/499
D806,804 S *	1/2018	Simonds	D21/499
D832,935 S *	11/2018	Wakim	D21/499
D832,936 S *	11/2018	Semling	D21/499

D833,543 S *	11/2018	Semling	D21/499
D833,544 S *	11/2018	Semling	D21/499
D833,545 S *	11/2018	Semling	D21/499
D835,211 S *	12/2018	Semling	D21/499
D835,212 S *	12/2018	Semling	D21/499
D835,729 S *	12/2018	Semling	D21/499
10,188,961 B1 *	1/2019	Lee	A63H 33/065
D852,896 S *	7/2019	Semling	D21/499
10,646,791 B2 *	5/2020	Semling	A63H 33/088

* cited by examiner

Primary Examiner — Cynthia M. Chin

(57) **CLAIM**

The ornamental design for a toy building brick, as shown and described.

DESCRIPTION

FIG. 1 is a top isometric view of a toy building brick showing a top side, a front side and a left side of my new design;

FIG. 2 is a bottom isometric view showing a bottom side, a rear side and a right side of the toy building brick;

FIG. 3 is a bottom isometric view showing the bottom side, the front side and the left side of the toy building brick;

FIG. 4 is a top view of the toy building brick;

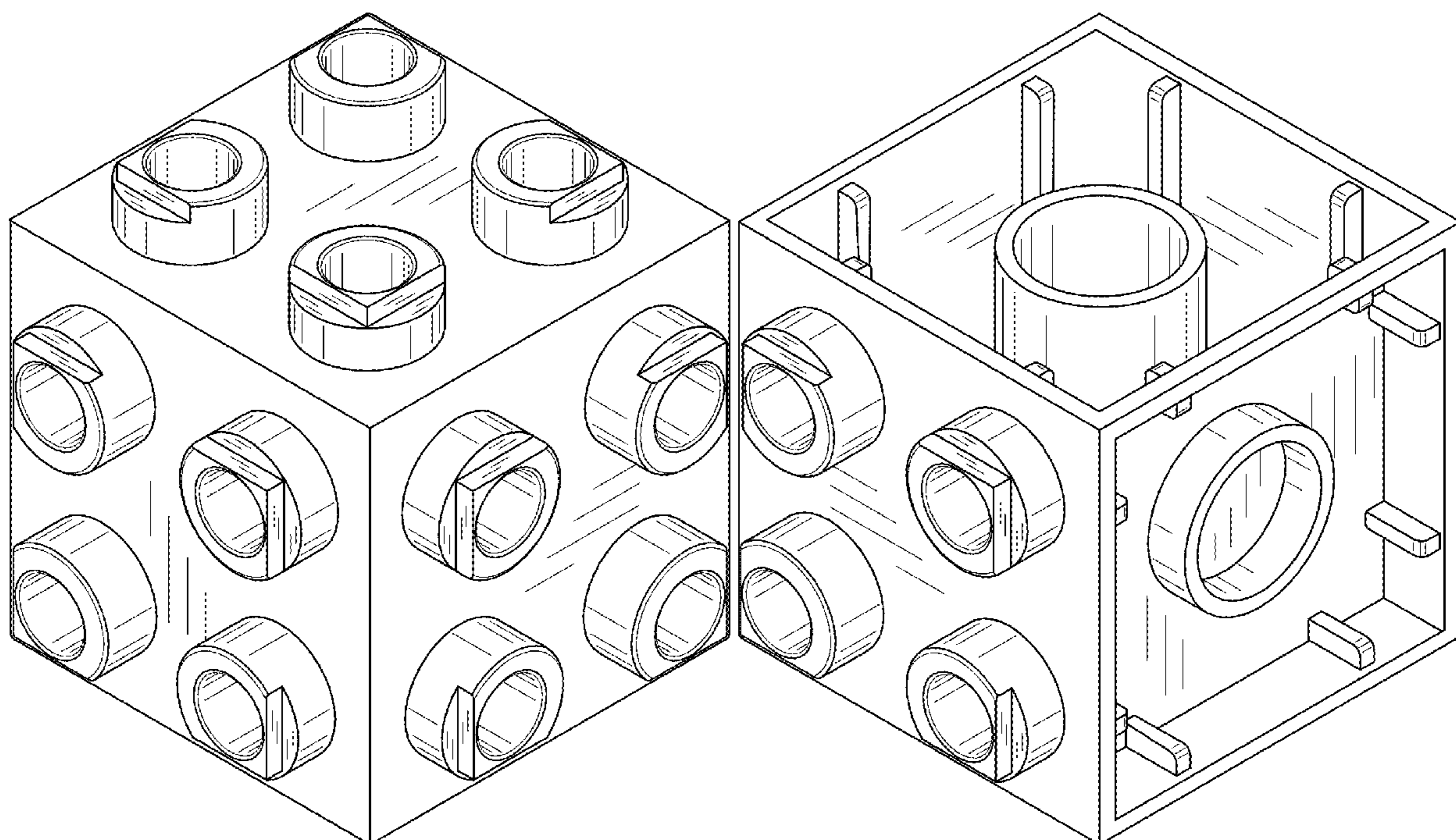
FIG. 5 is a bottom view of the toy building brick;

FIG. 6 is a right side view of the toy building brick;

FIG. 7 is a cross-sectional view of the toy building brick taken along line 7-7 of FIG. 5; and,

FIG. 8 is a cross-sectional view of the toy building brick taken along line 8-8 of FIG. 5.

1 Claim, 6 Drawing Sheets



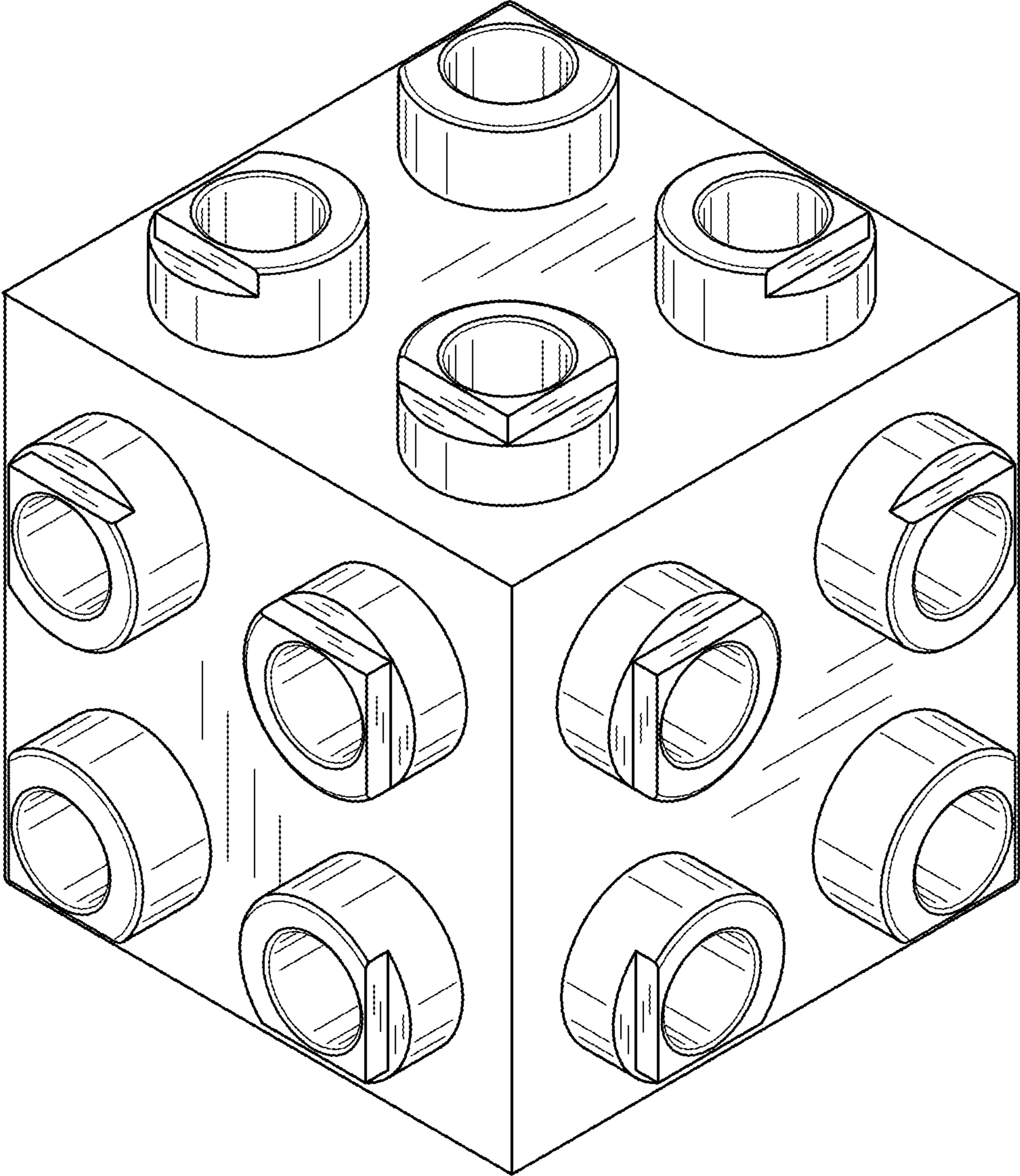


FIG. 1

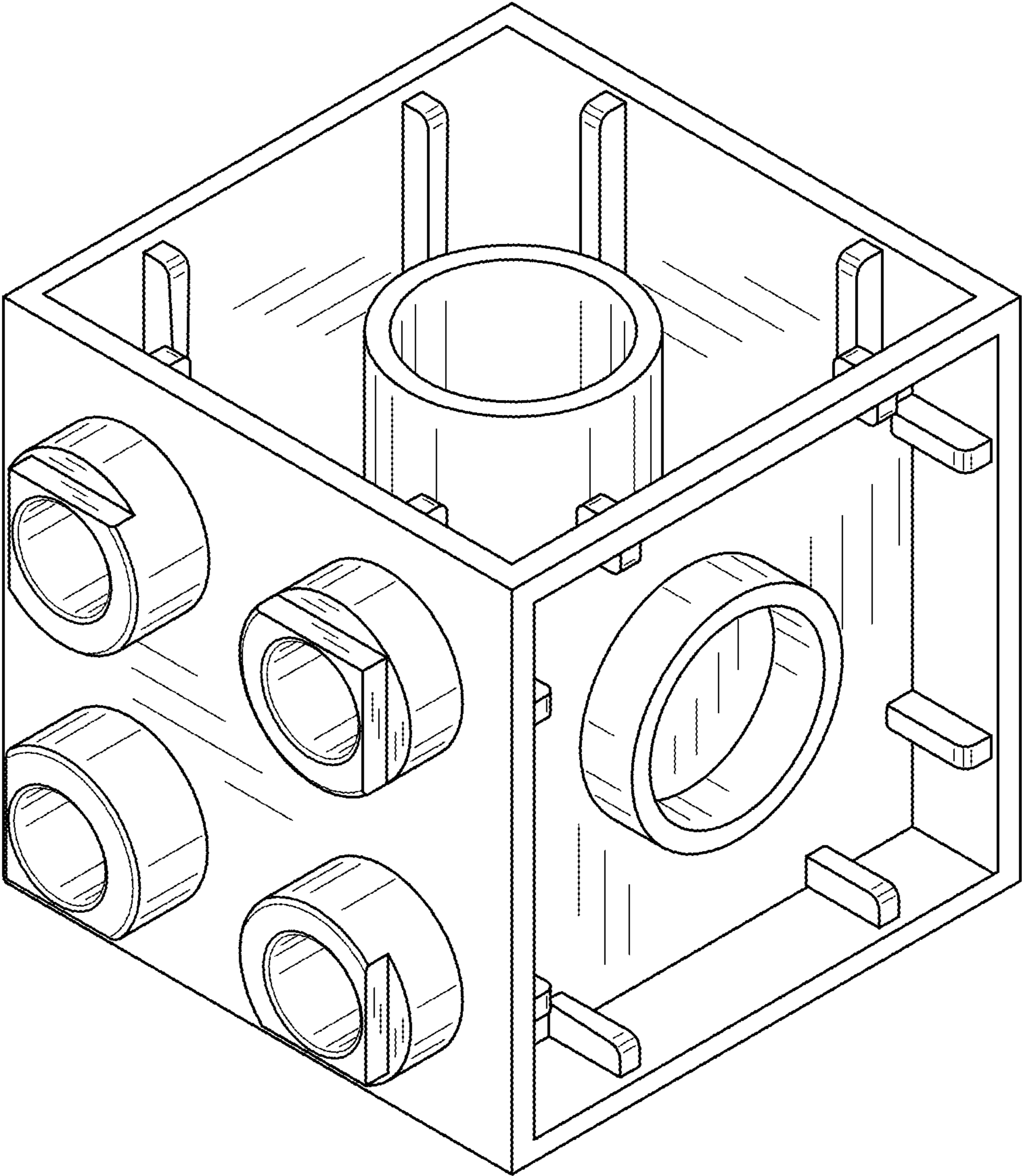


FIG. 2

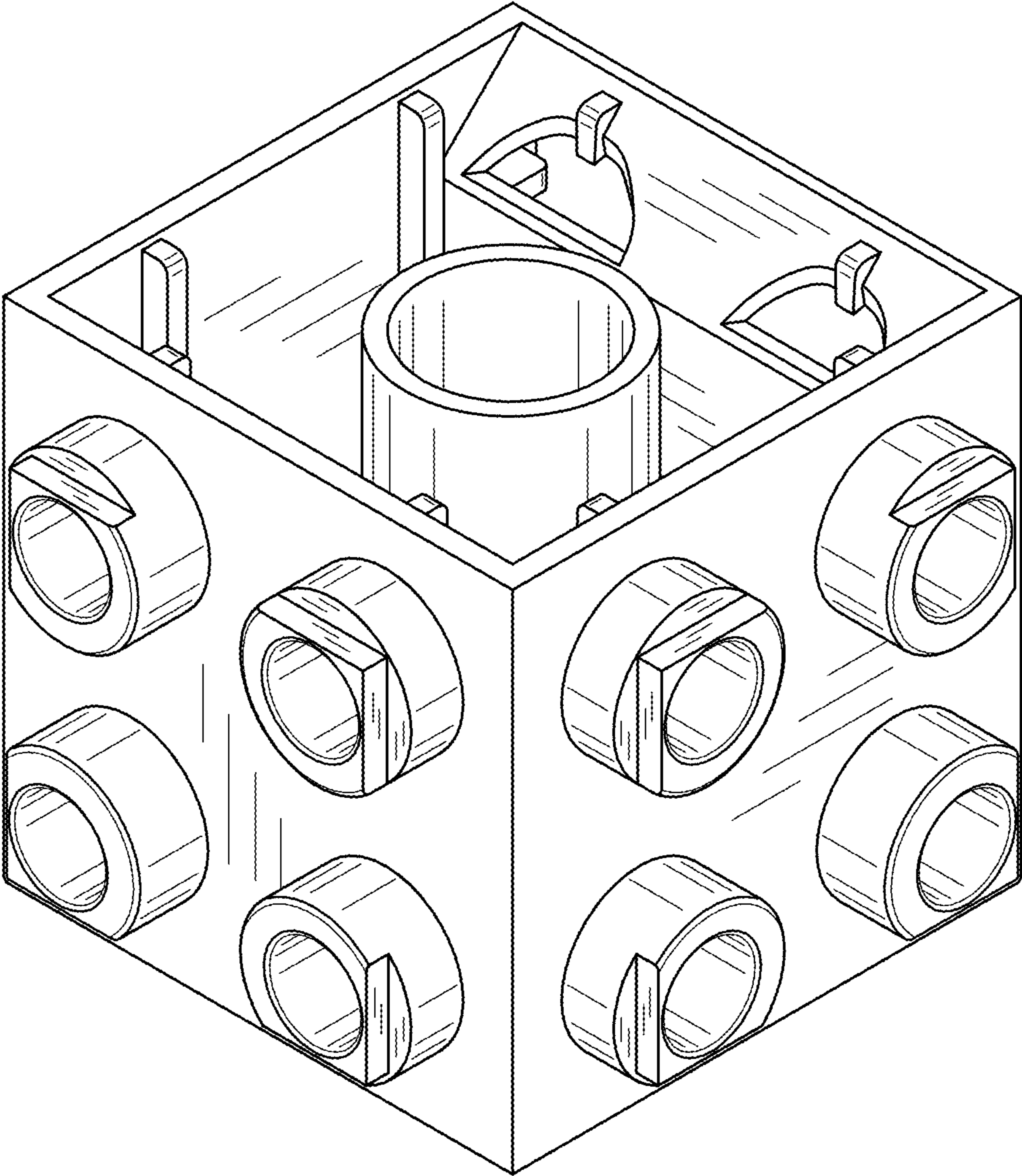


FIG. 3

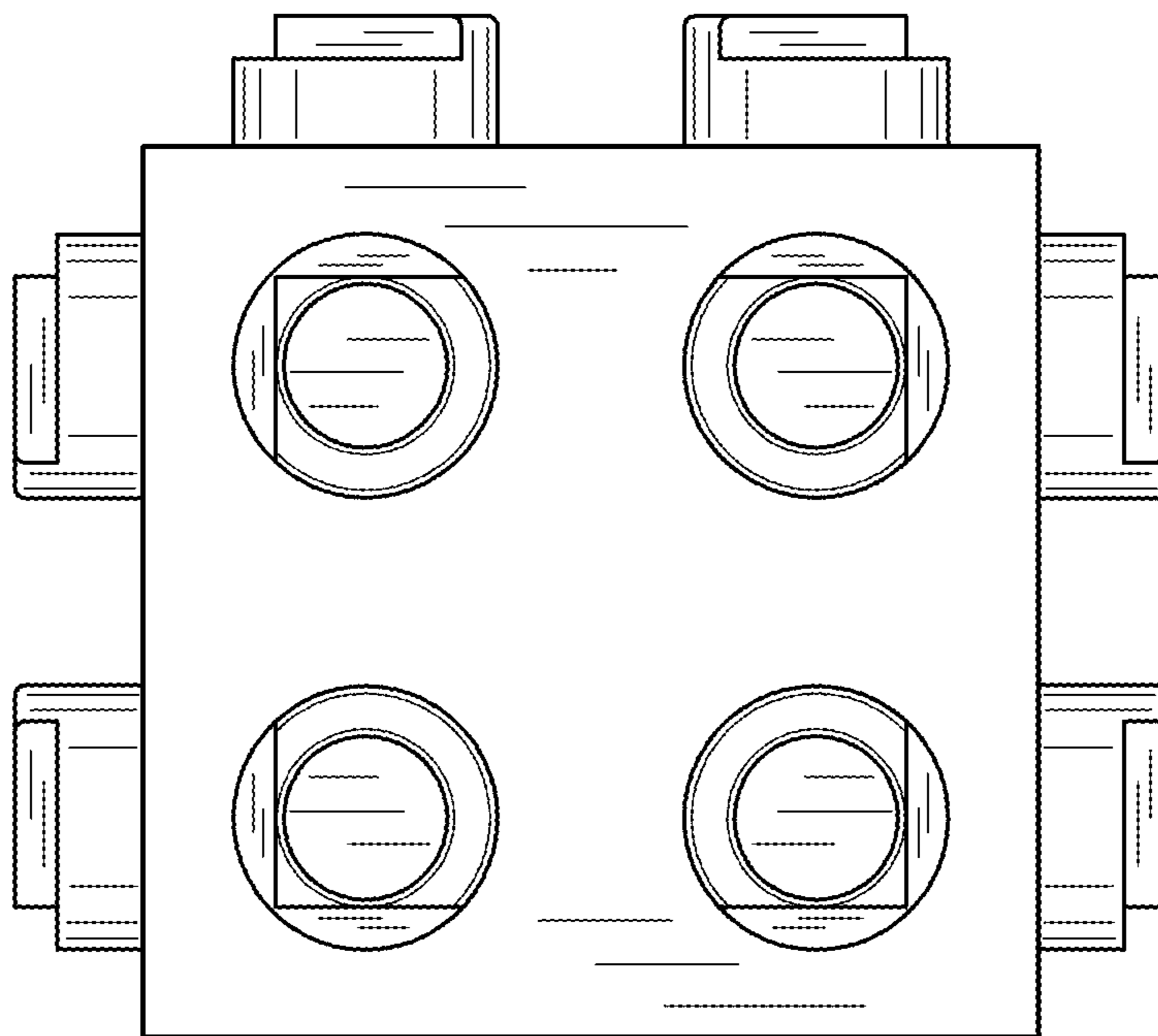


FIG. 4

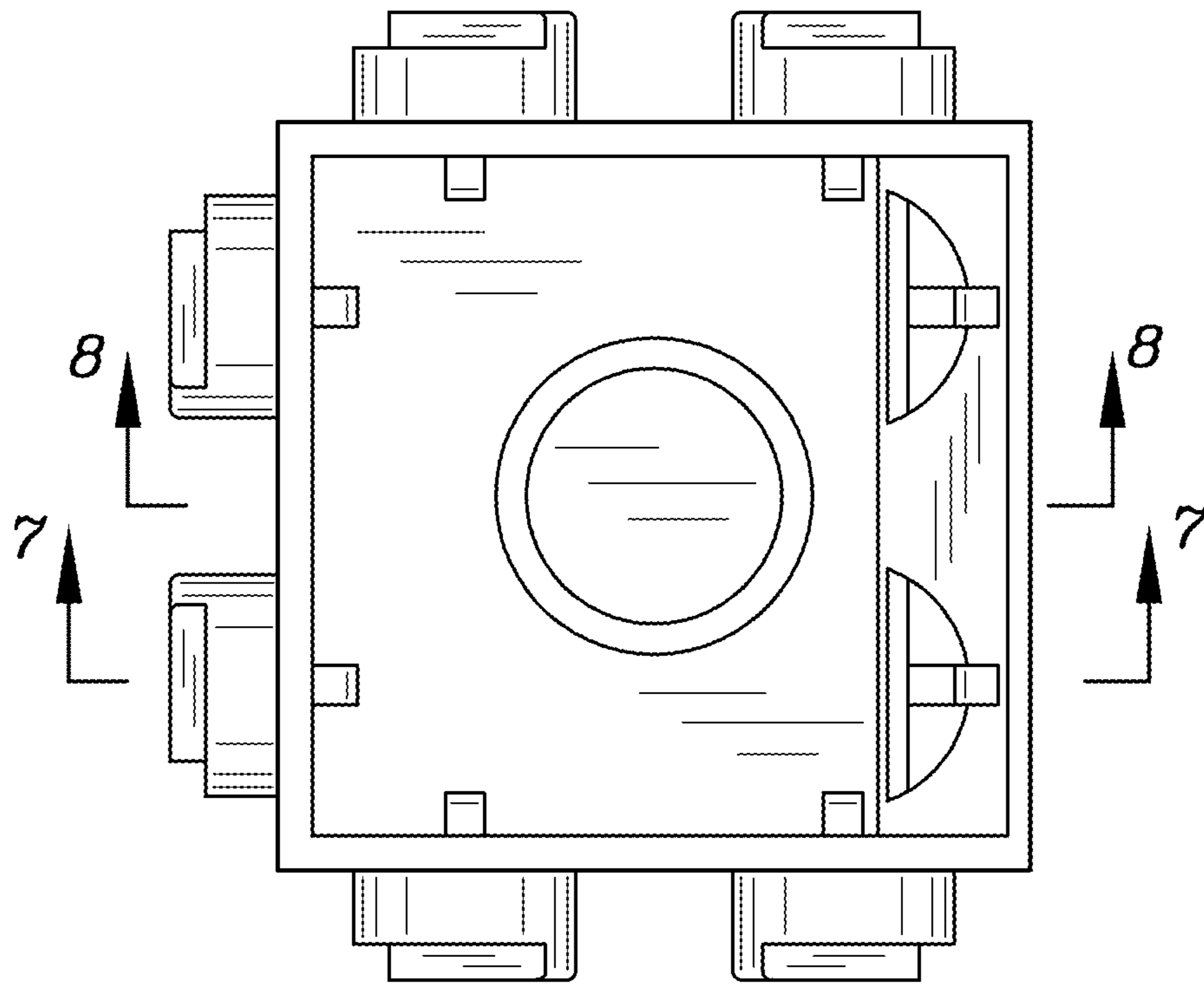


FIG. 5

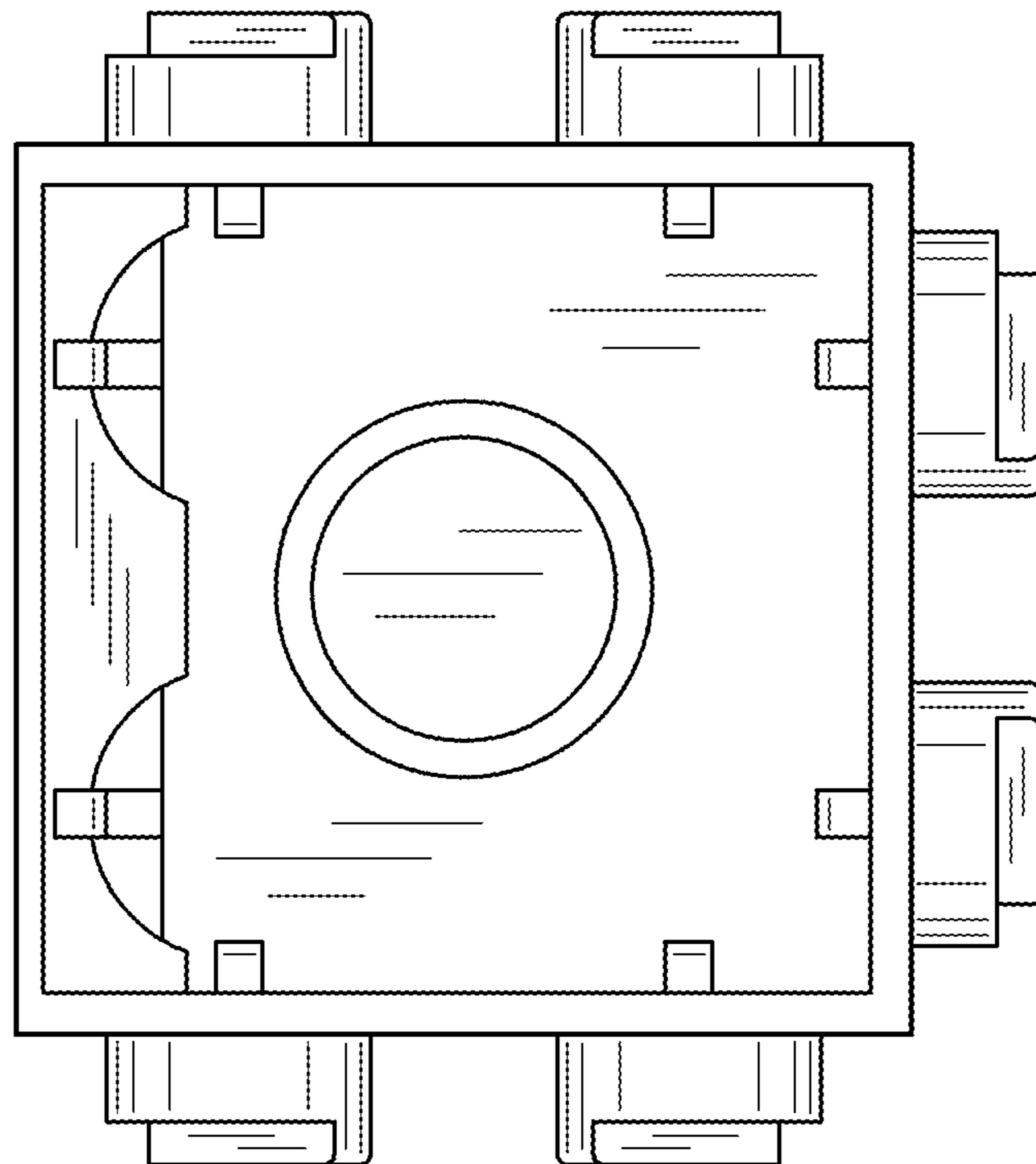


FIG. 6

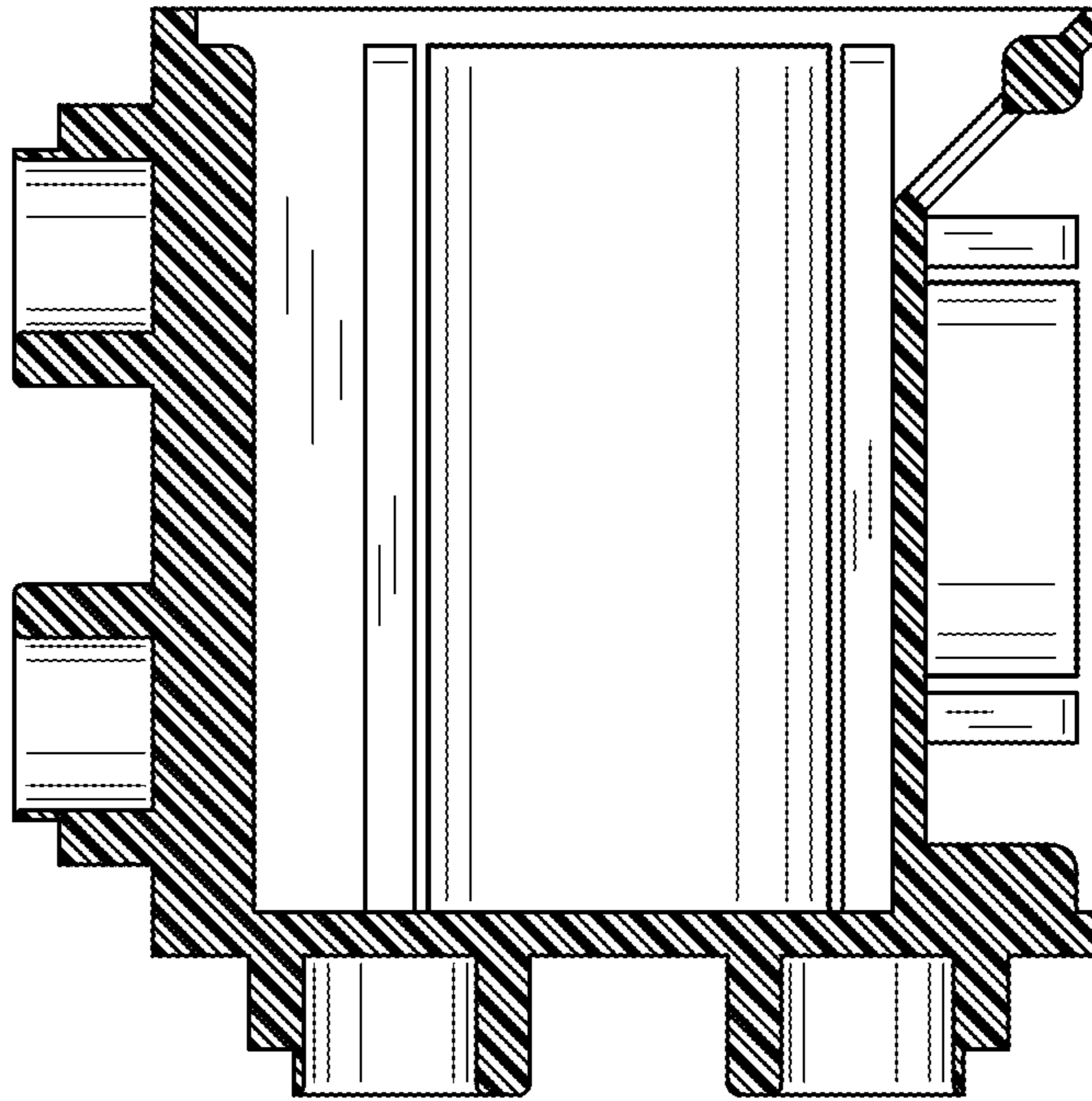


FIG. 7

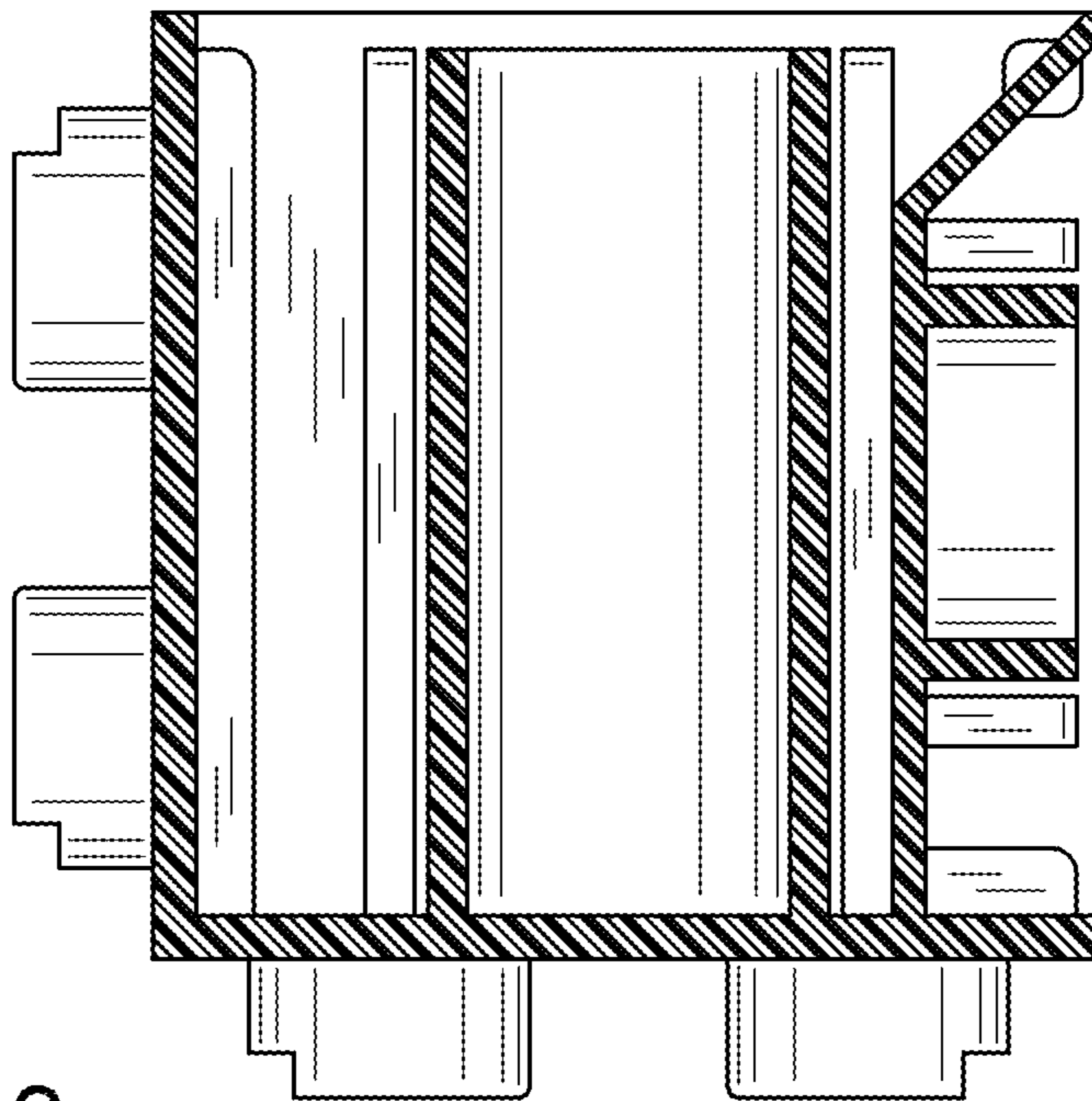


FIG. 8