



US00D903782S

(12) **United States Design Patent**  
**Semling et al.**

(10) **Patent No.:** **US D903,782 S**

(45) **Date of Patent:** **\*\* Dec. 1, 2020**

(54) **TOY BUILDING BRICK**

(71) Applicant: **Brian's Toys Inc.**, Fountain City, WI  
(US)

(72) Inventors: **Brian Semling**, Fountain City, WI  
(US); **Joseph Schmitt**, Winona, MN  
(US); **Jens Erickson**, St. Charles, MN  
(US)

(\*\*) Term: **15 Years**

(21) Appl. No.: **29/700,330**

(22) Filed: **Aug. 1, 2019**

(51) **LOC (12) Cl.** ..... **21-01**

(52) **U.S. Cl.**  
USPC ..... **D21/499**

(58) **Field of Classification Search**  
USPC ..... D21/333, 373, 386, 389, 404, 468, 470,  
D21/471, 475, 484-505; D24/101  
CPC ..... A63H 33/04; A63H 33/06; A63H 33/062;  
A63H 33/08; A63H 33/088; A63F 9/12;  
A63F 9/1224

See application file for complete search history.

(56) **References Cited**

**U.S. PATENT DOCUMENTS**

5,924,906 A \* 7/1999 Grafton ..... A63H 33/10  
411/339  
D413,636 S \* 9/1999 Laserna Fernandez ..... D21/499  
D422,036 S \* 3/2000 Laserna Fernandez ..... D21/499  
D678,045 S \* 3/2013 Paolini ..... D8/382  
D758,501 S \* 6/2016 Sorensen ..... D21/495

D806,180 S \* 12/2017 Simonds ..... D21/499  
D806,804 S \* 1/2018 Simonds ..... D21/499  
D832,935 S \* 11/2018 Wakim ..... D21/499  
D832,936 S \* 11/2018 Semling ..... D21/499  
D833,543 S \* 11/2018 Semling ..... D21/499  
D833,544 S \* 11/2018 Semling ..... D21/499  
D833,545 S \* 11/2018 Semling ..... D21/499  
D835,211 S \* 12/2018 Semling ..... D21/499  
D835,212 S \* 12/2018 Semling ..... D21/499  
D835,729 S \* 12/2018 Semling ..... D21/499  
10,188,961 B1 \* 1/2019 Lee ..... A63H 33/065  
D852,896 S \* 7/2019 Semling ..... D21/499  
10,646,791 B2 \* 5/2020 Semling ..... A63H 33/088

\* cited by examiner

*Primary Examiner* — Cynthia M. Chin

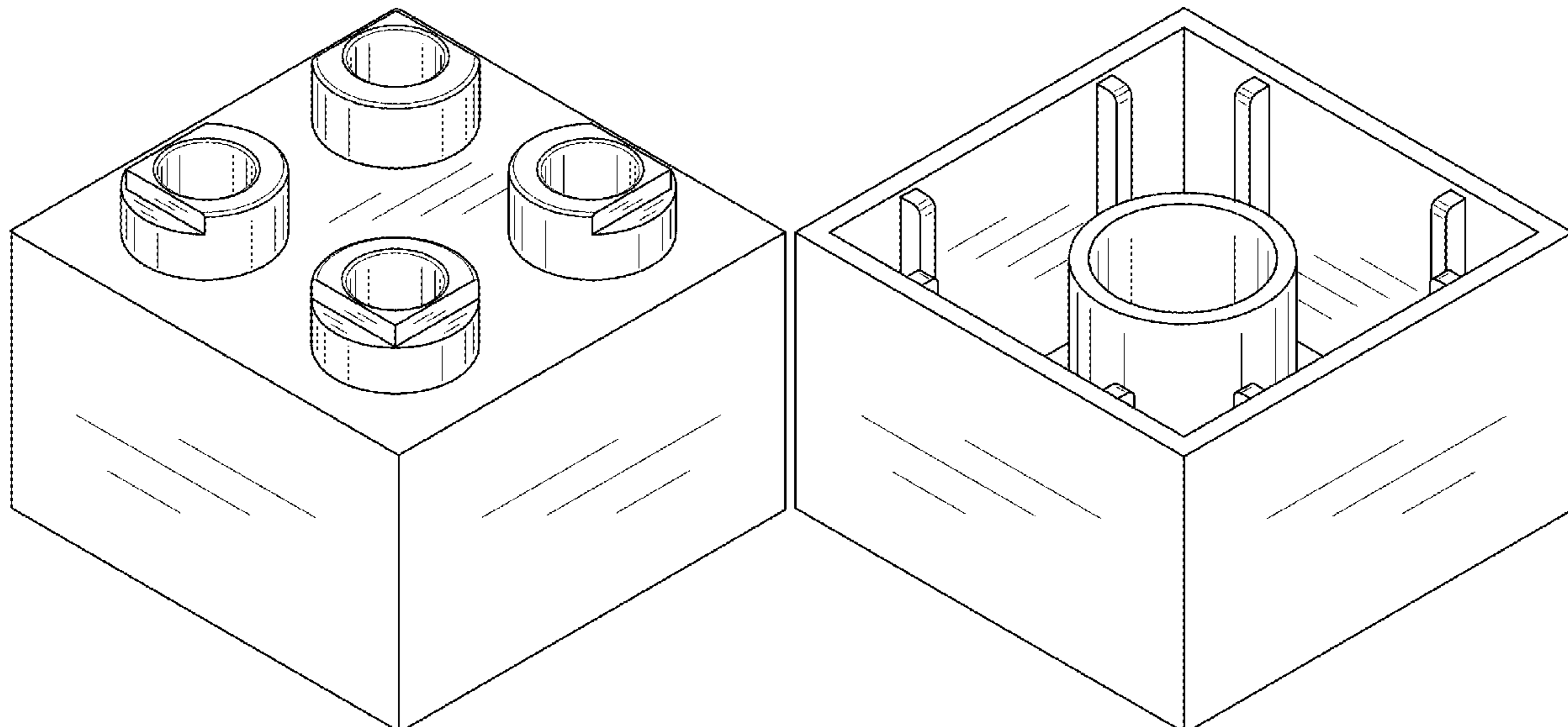
(57) **CLAIM**

The ornamental design for a toy building brick, as shown and described.

**DESCRIPTION**

FIG. 1 is a top isometric view of a toy building brick showing my new design;  
FIG. 2 is a bottom isometric view of the toy building brick;  
FIG. 3 is a right side view of the toy building brick, a left side view being a mirror image thereof;  
FIG. 4 is a top view of the toy building brick;  
FIG. 5 is a bottom view of the toy building brick;  
FIG. 6 is a cross-sectional view of the toy building brick taken along line 6-6 of FIG. 3; and,  
FIG. 7 is a cross-sectional view of the toy building brick taken along line 7-7 of FIG. 3.

**1 Claim, 5 Drawing Sheets**



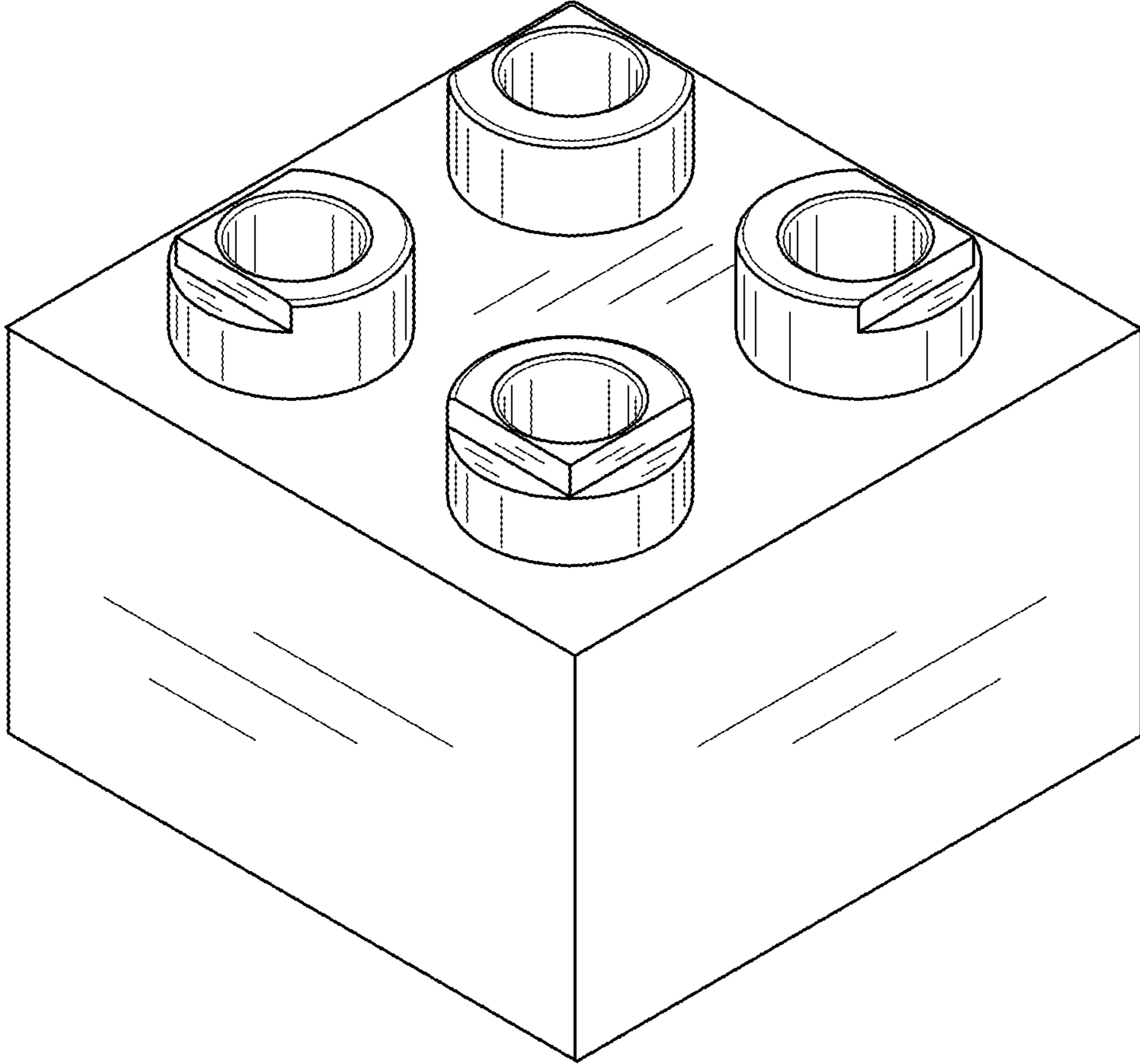


FIG. 1

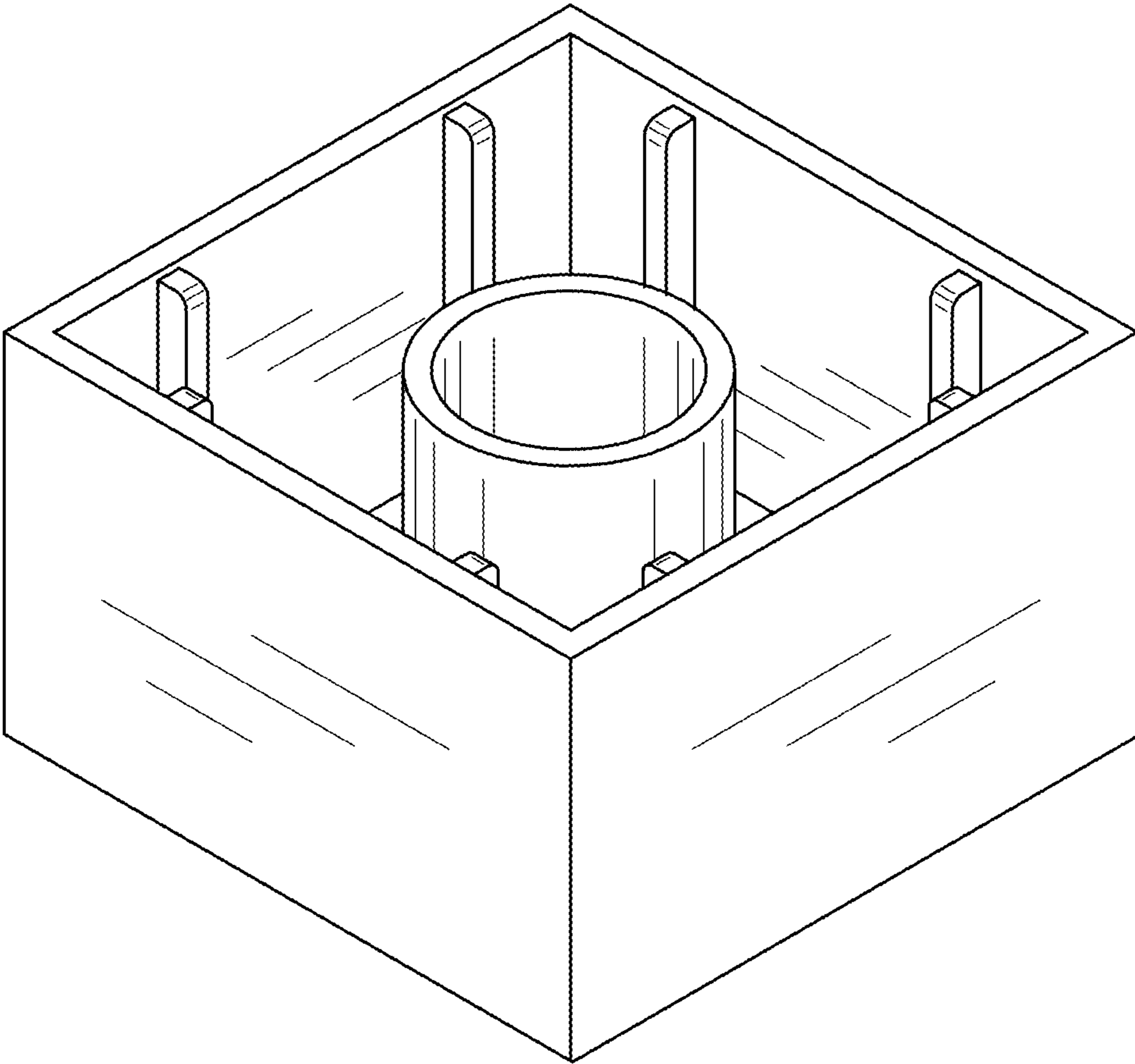


FIG. 2

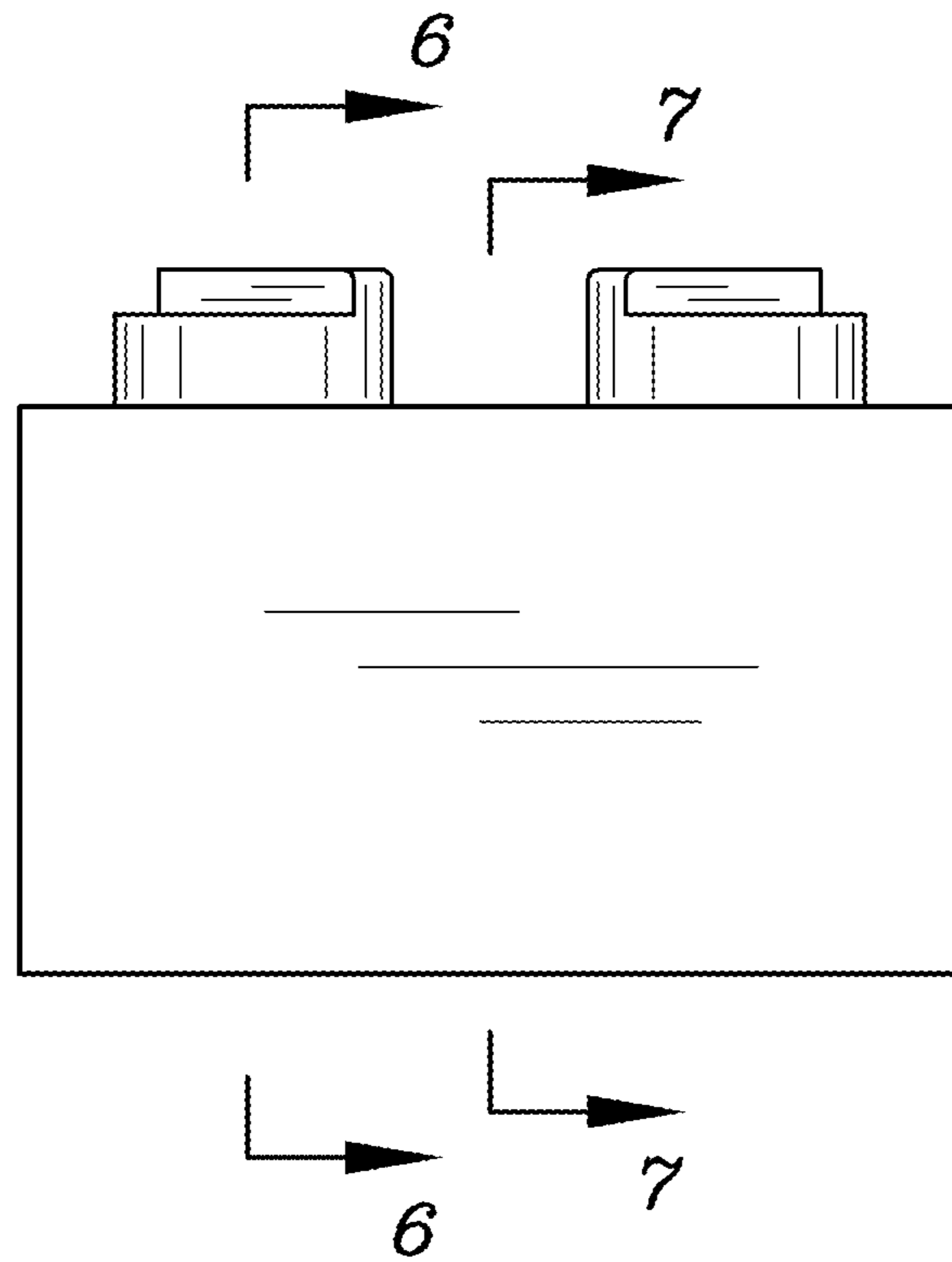


FIG. 3

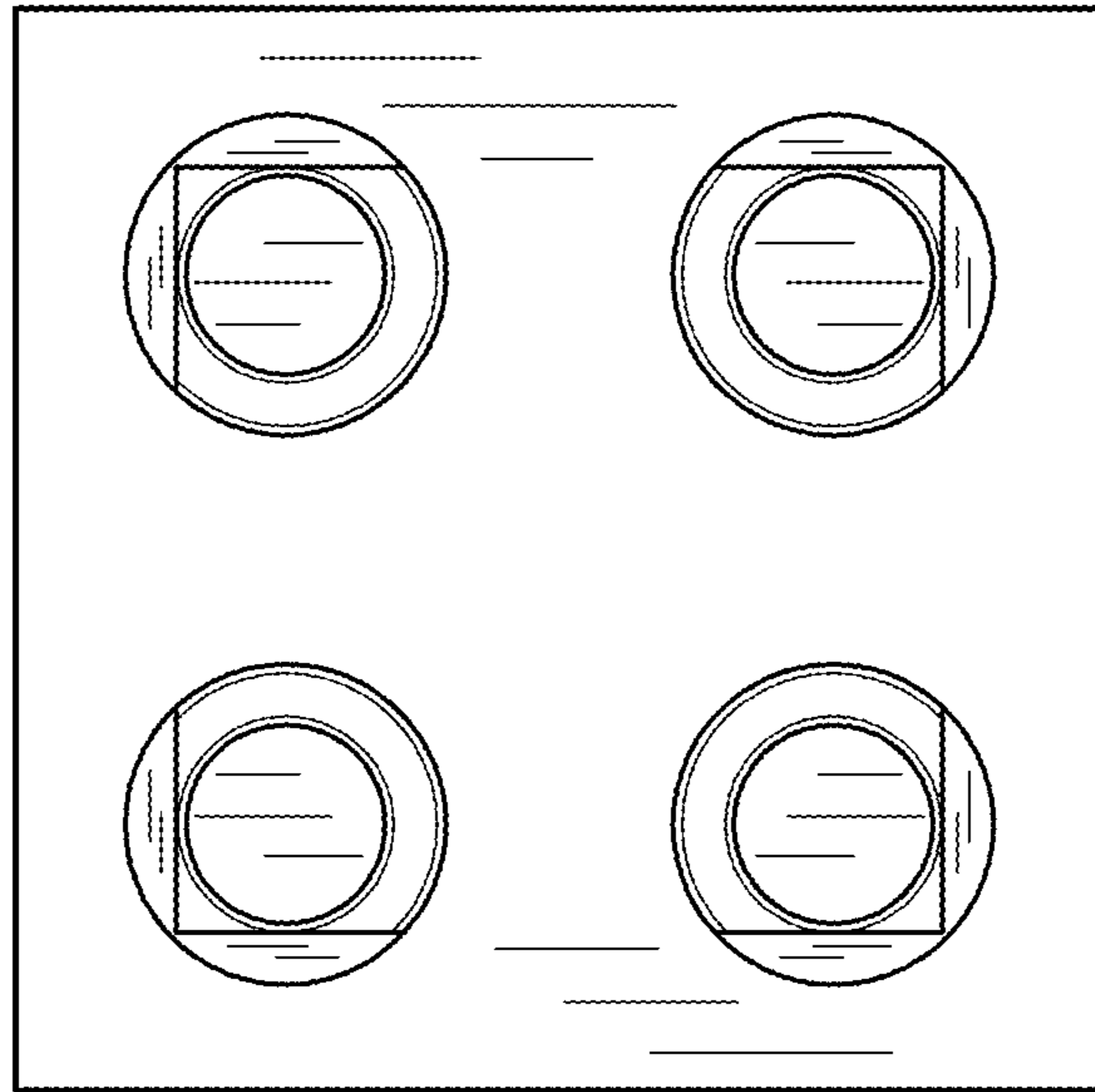


FIG. 4

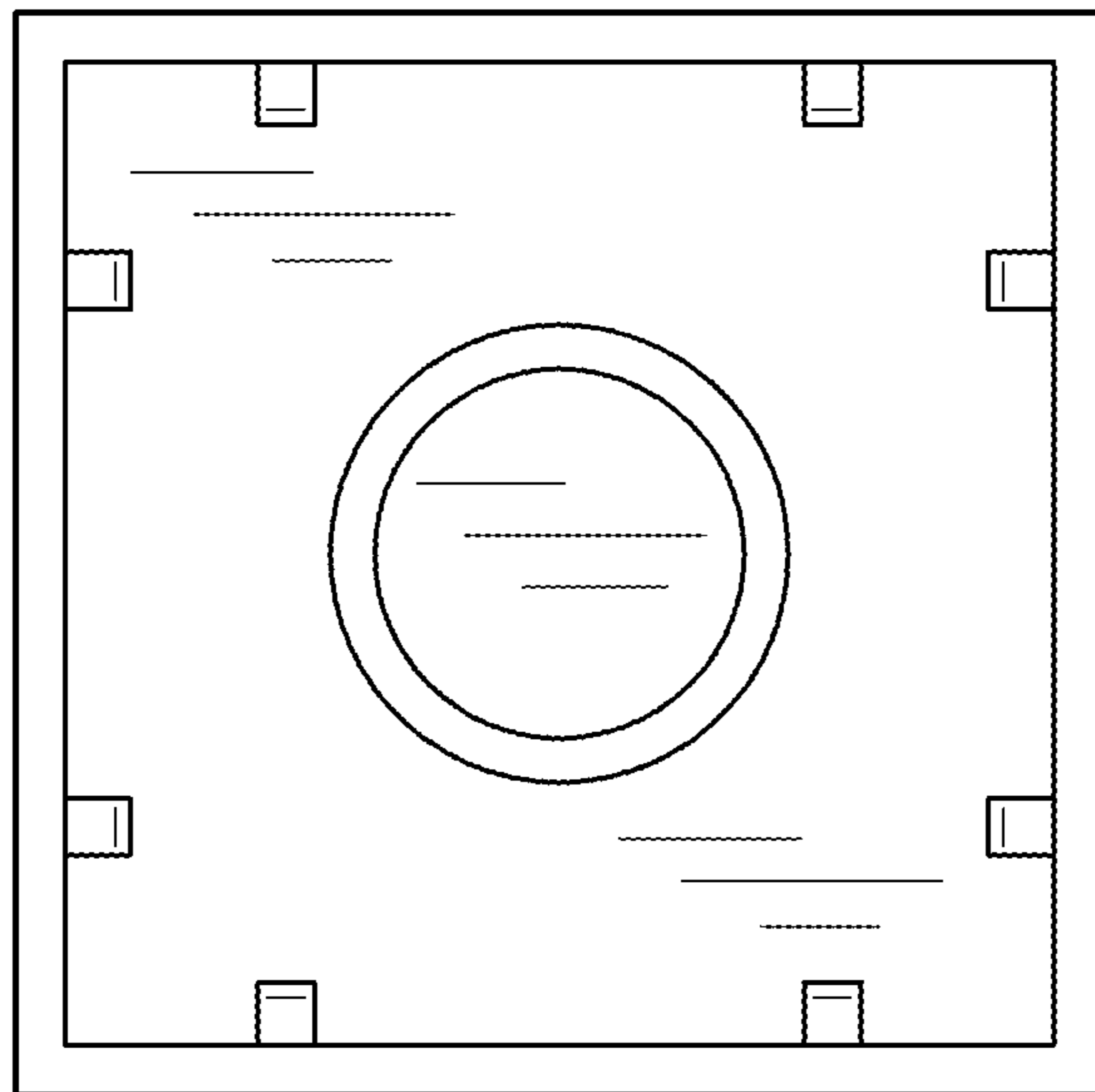


FIG. 5

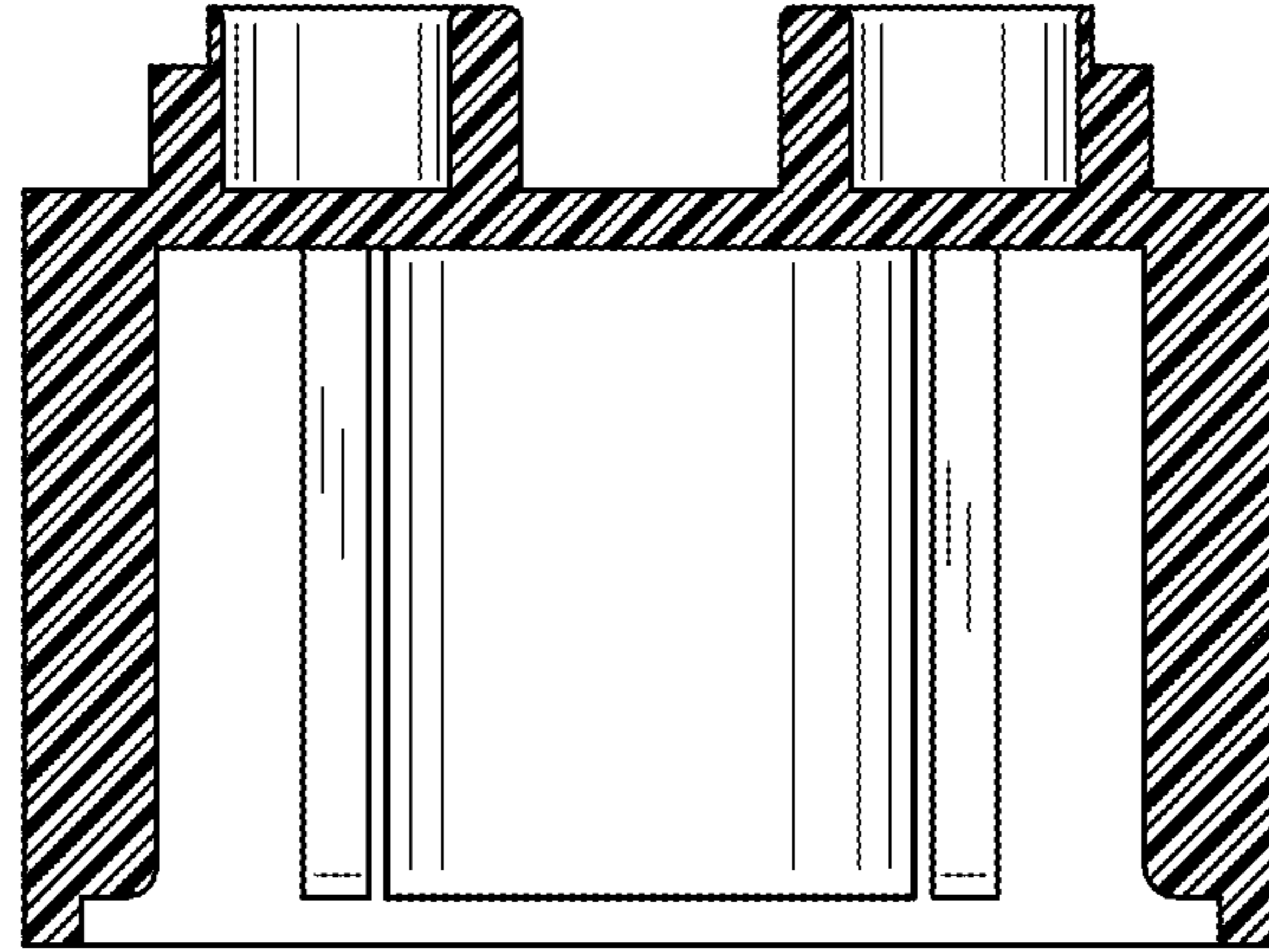


FIG. 6

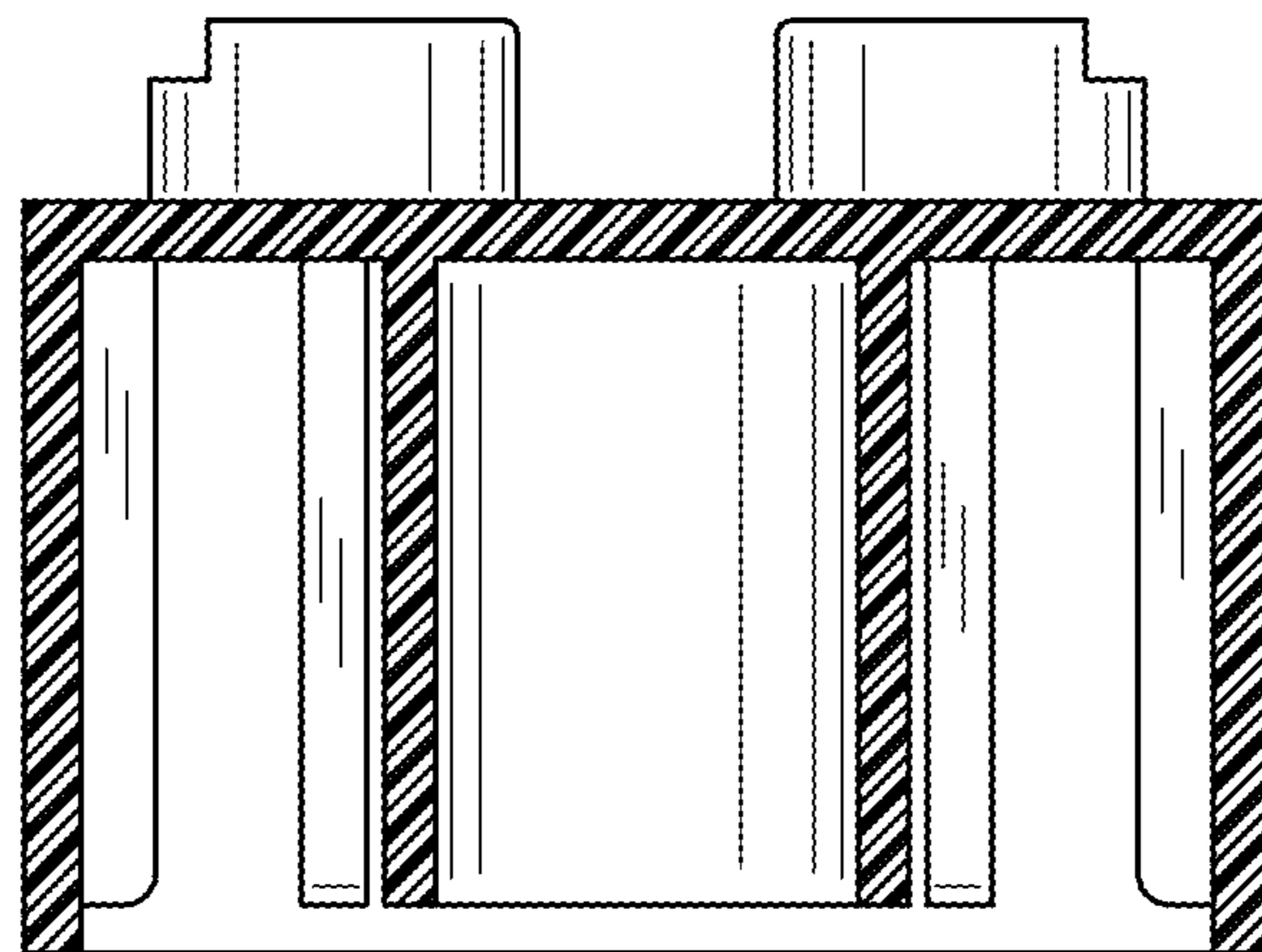


FIG. 7