



US00D903780S

(12) **United States Design Patent** (10) **Patent No.:** **US D903,780 S**
Park (45) **Date of Patent:** **** Dec. 1, 2020**

(54) **TOY BLOCK** 2013/0280987 A1* 10/2013 Lennon A63H 17/008
 446/429
 (71) Applicant: **GYMWORLD INC.**, Seoul (KR) 2015/0343319 A1* 12/2015 O'Connor A63H 17/008
 446/429
 (72) Inventor: **Kee Young Park**, Seoul (KR) 2019/0224580 A1* 7/2019 Schmid A63H 17/008
 2020/0078696 A1* 3/2020 Womack A63H 17/008

(73) Assignee: **GYMWORLD INC.**, Seoul (KR) * cited by examiner

(**) Term: **15 Years**

Primary Examiner — Cynthia M. Chin
 (74) *Attorney, Agent, or Firm* — KORUS Patent, LLC;
 Seoung Il Jeong

(21) Appl. No.: **29/680,958**

(22) Filed: **Feb. 21, 2019**

(57) **CLAIM**

(30) **Foreign Application Priority Data**

The ornamental design for a toy block, as shown and described.

Aug. 22, 2018 (KR) 30-2018-0038878

DESCRIPTION

(51) **LOC (12) Cl.** **21-01**

FIG. 1 is a front perspective view of a toy block according to the present design;
 FIG. 2 is a front elevation view thereof;
 FIG. 3 is a rear elevation view thereof;
 FIG. 4 is a left side view thereof;
 FIG. 5 is a right side view thereof;
 FIG. 6 is a top plan view thereof; and,
 FIG. 7 is a bottom plan view thereof.

(52) **U.S. Cl.**

USPC **D21/493**

(58) **Field of Classification Search**

USPC D21/454, 484, 493, 495, 570

CPC A63H 17/00; A63H 17/008

See application file for complete search history.

The broken lines are for the purpose of illustrating portions of the article that form no part of the claimed design. The word **MAGFORMERS** in FIGS. 1, 4, and 5 is a registered trademark of Magformers, LLC, a US subsidiary company of the Applicant, and forms no part of the claimed design.

(56) **References Cited**

U.S. PATENT DOCUMENTS

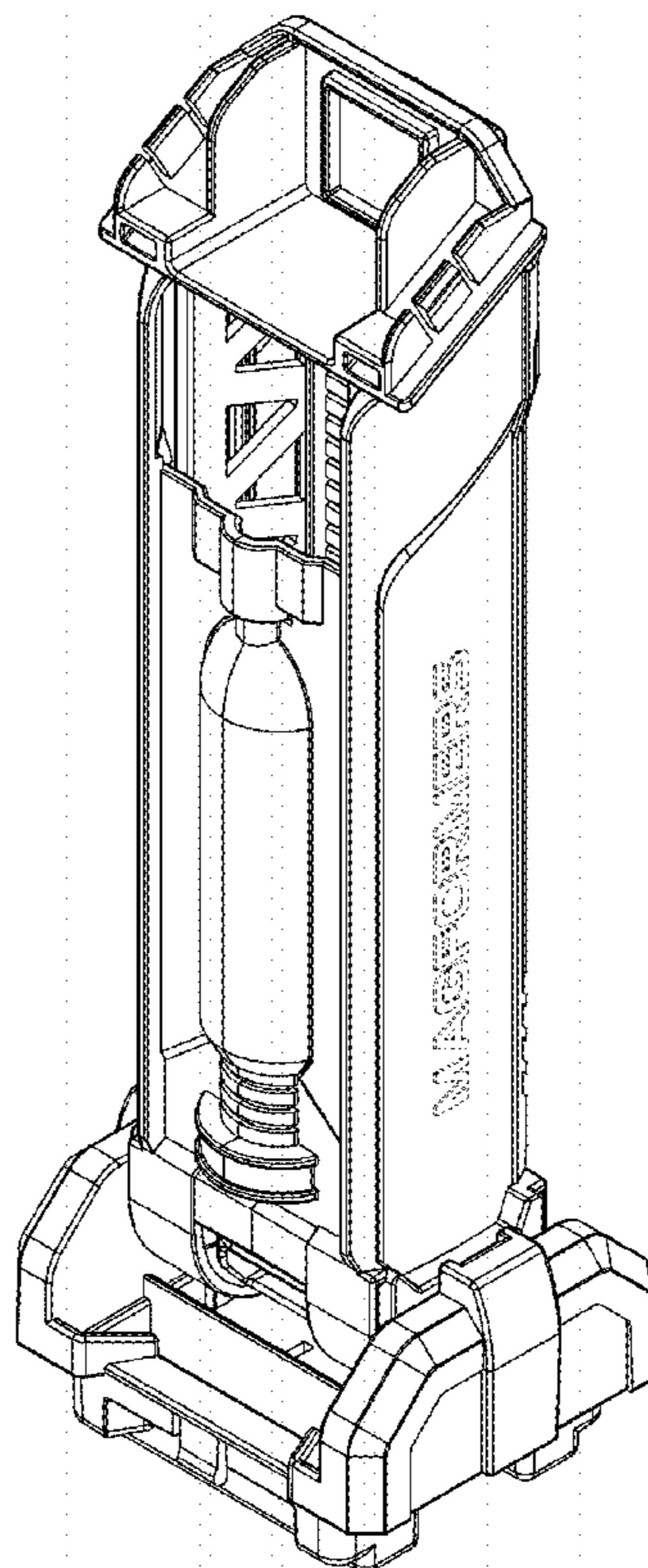
D353,414 S * 12/1994 Crane D21/452

5,819,717 A * 10/1998 Johnson A63H 27/14
 124/65

D599,875 S * 9/2009 Tippmann, Jr. D22/113

D873,925 S * 1/2020 Schumacher D21/454

1 Claim, 7 Drawing Sheets



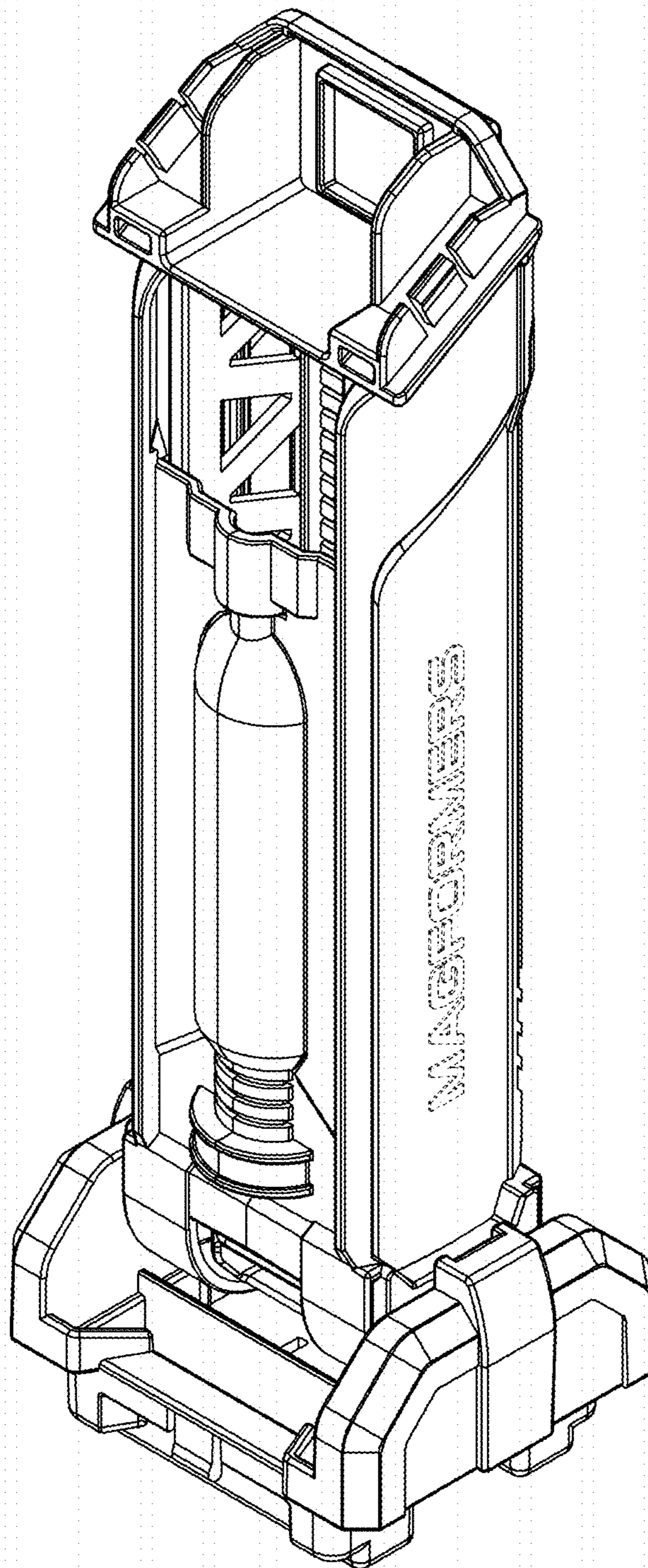


FIG. 1

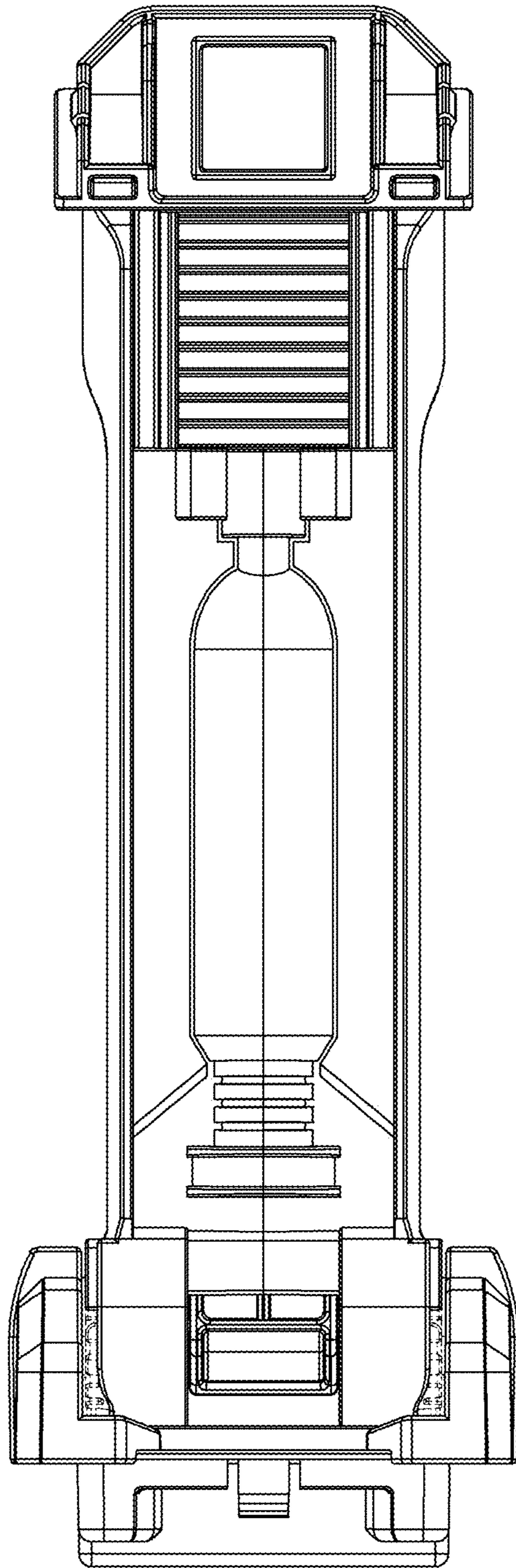


FIG. 2

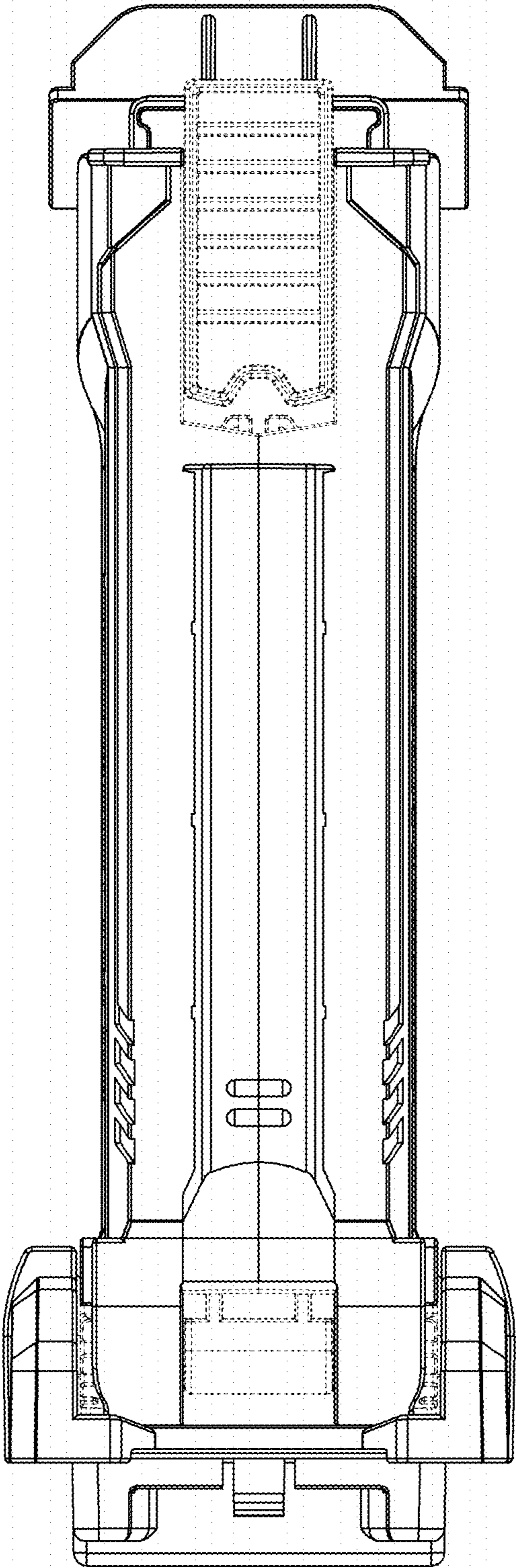


FIG. 3

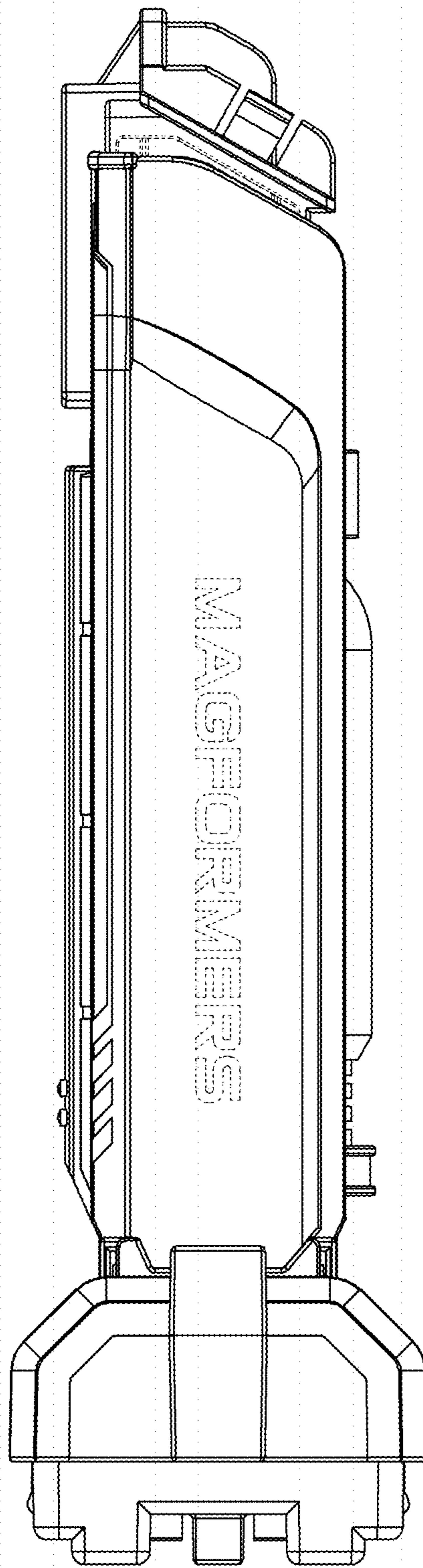


FIG. 4

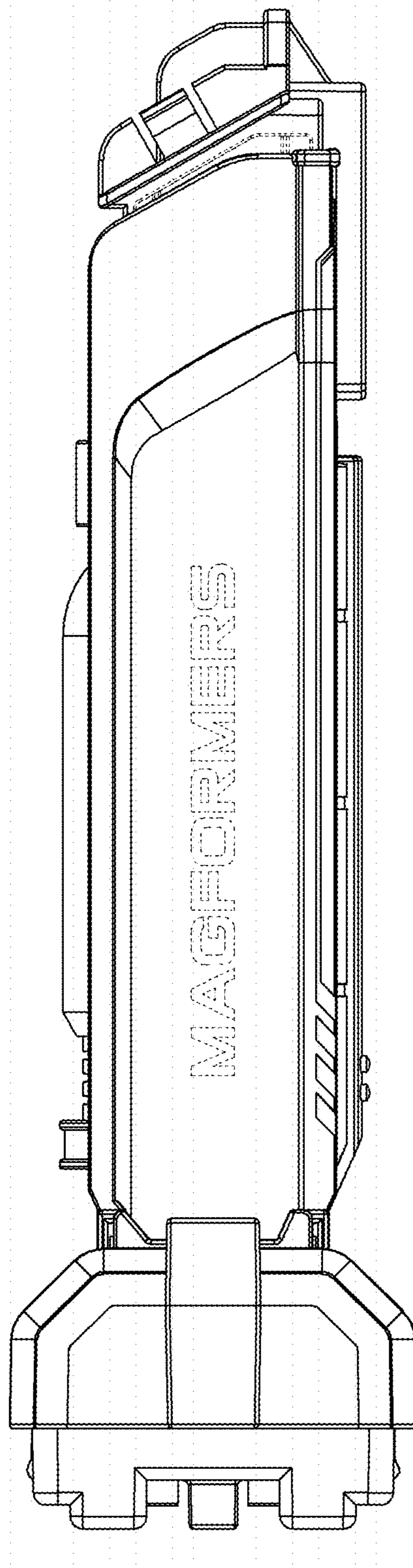


FIG. 5

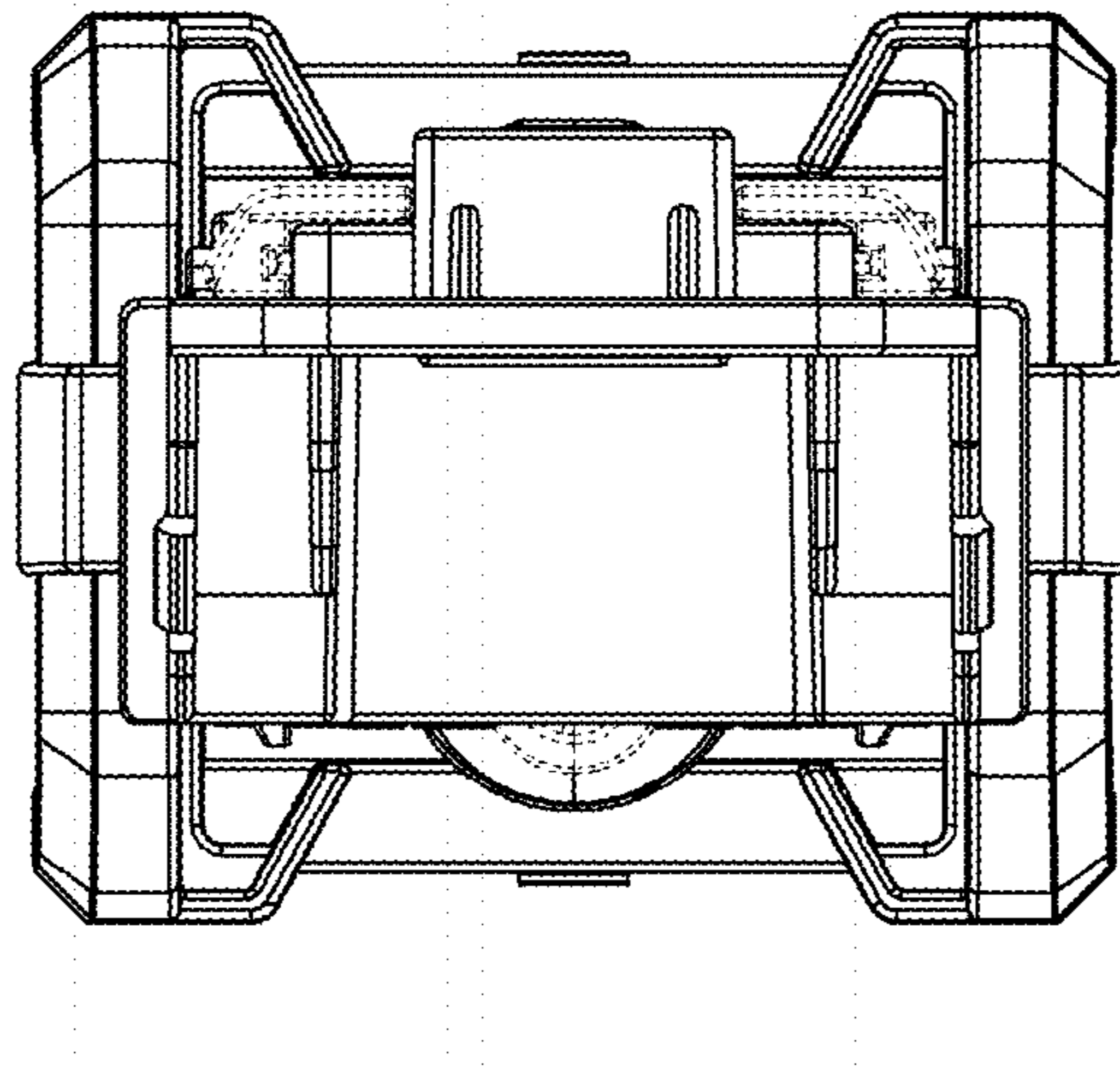


FIG. 6

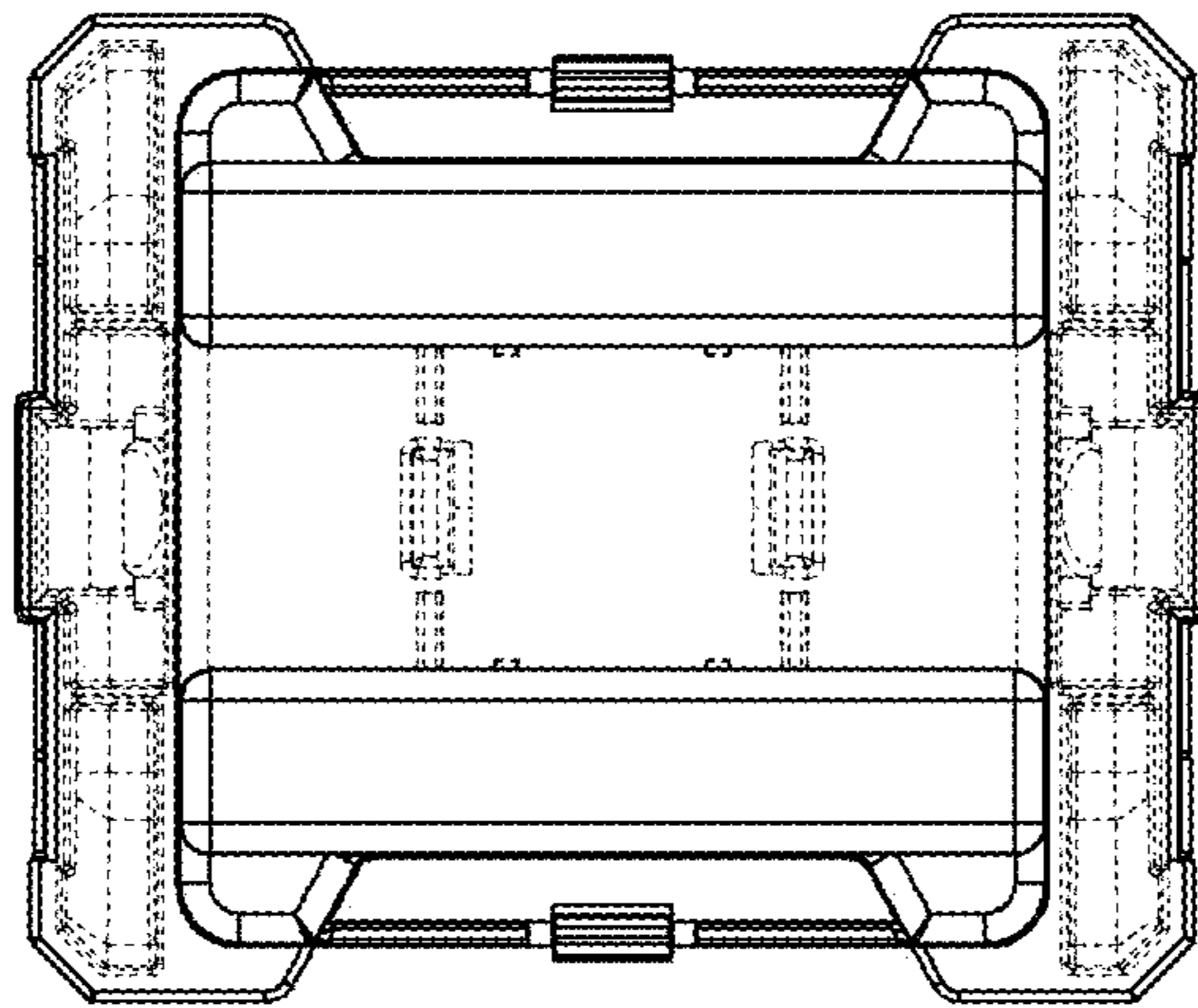


FIG. 7