



US00D903778S

(12) **United States Design Patent**
Nevgi et al.

(10) **Patent No.:** **US D903,778 S**
(45) **Date of Patent:** **** Dec. 1, 2020**

(54) **THREE-DIMENSIONAL LOGIC PUZZLE**

(71) Applicant: **Trimiti Moebius Design Pty Ltd,**
Mount Waverley (AU)

(72) Inventors: **Umesh Vinayak Nevgi,** Mount
Waverley (AU); **Hersh Umesh Nevgi,**
Mount Waverley (AU)

(73) Assignee: **Trimiti Moebius Design Pty Ltd,**
Mount Waverley (AU)

(**) Term: **15 Years**

(21) Appl. No.: **29/676,778**

(22) Filed: **Jan. 14, 2019**

Related U.S. Application Data

(63) Continuation of application No.
PCT/AU2017/050721, filed on Jul. 13, 2017.

(30) **Foreign Application Priority Data**

Jul. 15, 2016 (AU) 2016902785

(51) **LOC (12) Cl.** **21-01**

(52) **U.S. Cl.**
USPC **D21/479**

(58) **Field of Classification Search**
USPC D21/300, 336, 468, 471, 478, 479, 499,
D21/500, 484, 485; 273/153 R, 156,
(Continued)

(56) **References Cited**

U.S. PATENT DOCUMENTS

3,069,805 A * 12/1962 Burrows A63H 33/108
446/124
3,638,949 A * 2/1972 Thompson A63F 9/12
273/157 R

(Continued)

FOREIGN PATENT DOCUMENTS

DE 29512467 U1 * 10/1995 G09B 1/36
DE 102012017305 A1 * 3/2014 A63H 33/042

(Continued)

OTHER PUBLICATIONS

“Wooden Intelligence Game 3D Wood IQ Puzzle Brain Teaser Magic Tetris Cube 54 pc”, Amazon, [Retrieved from Internet on Sep. 22, 2017] URL: https://www.amazon.com/Wooden-Intelligence-Puzzle-TeaserTetris/dp/B011FXOG8M/ref=sr_1_30/176-4660663-4922211?ie=UTF8&qid=1441240587&sr=8-30&keywords=simple%2BTetris, published on Jul. 12, 2015, 3 pages.

Primary Examiner — Catherine A Tuttle

(74) *Attorney, Agent, or Firm* — Alleman Hall Creasman & Tuttle LLP

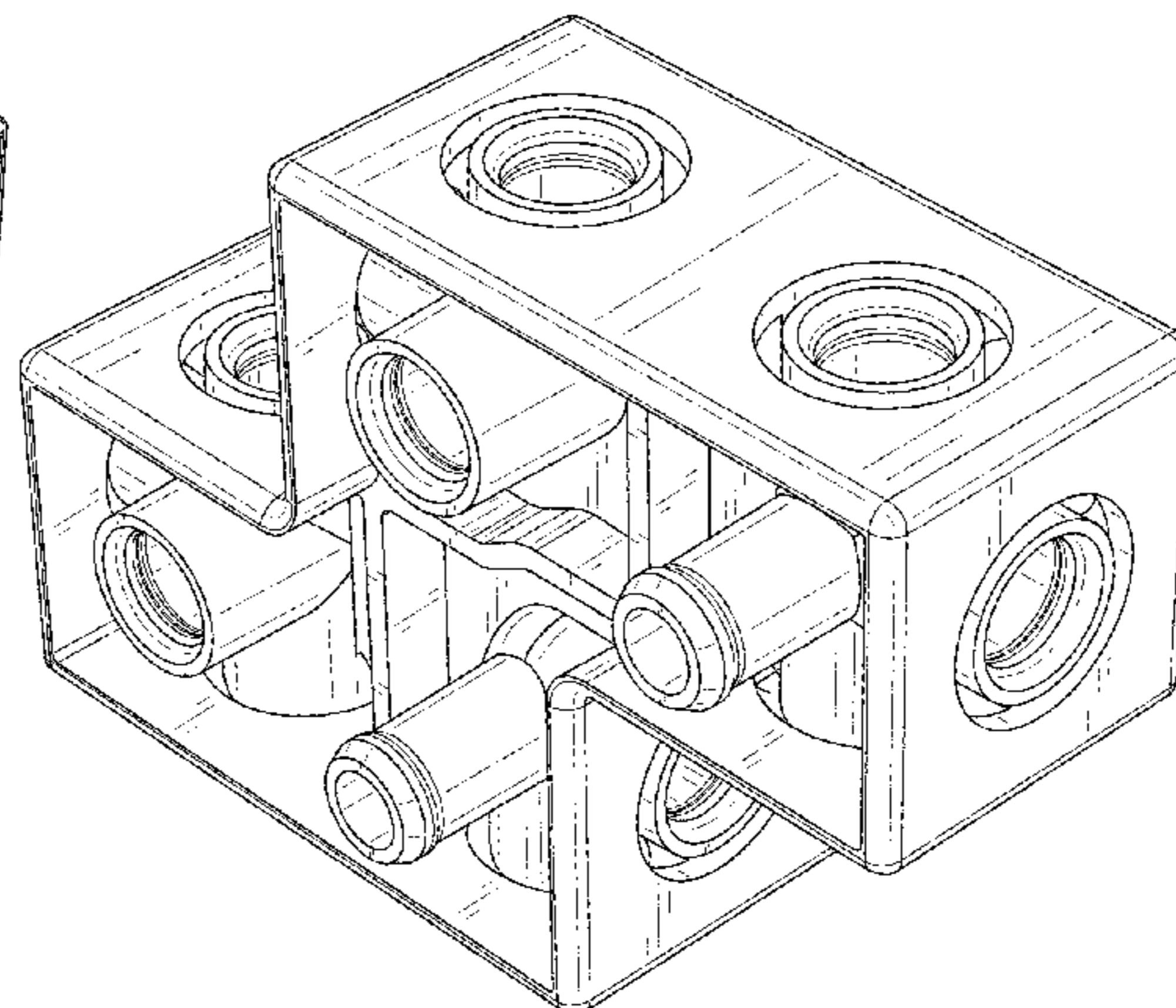
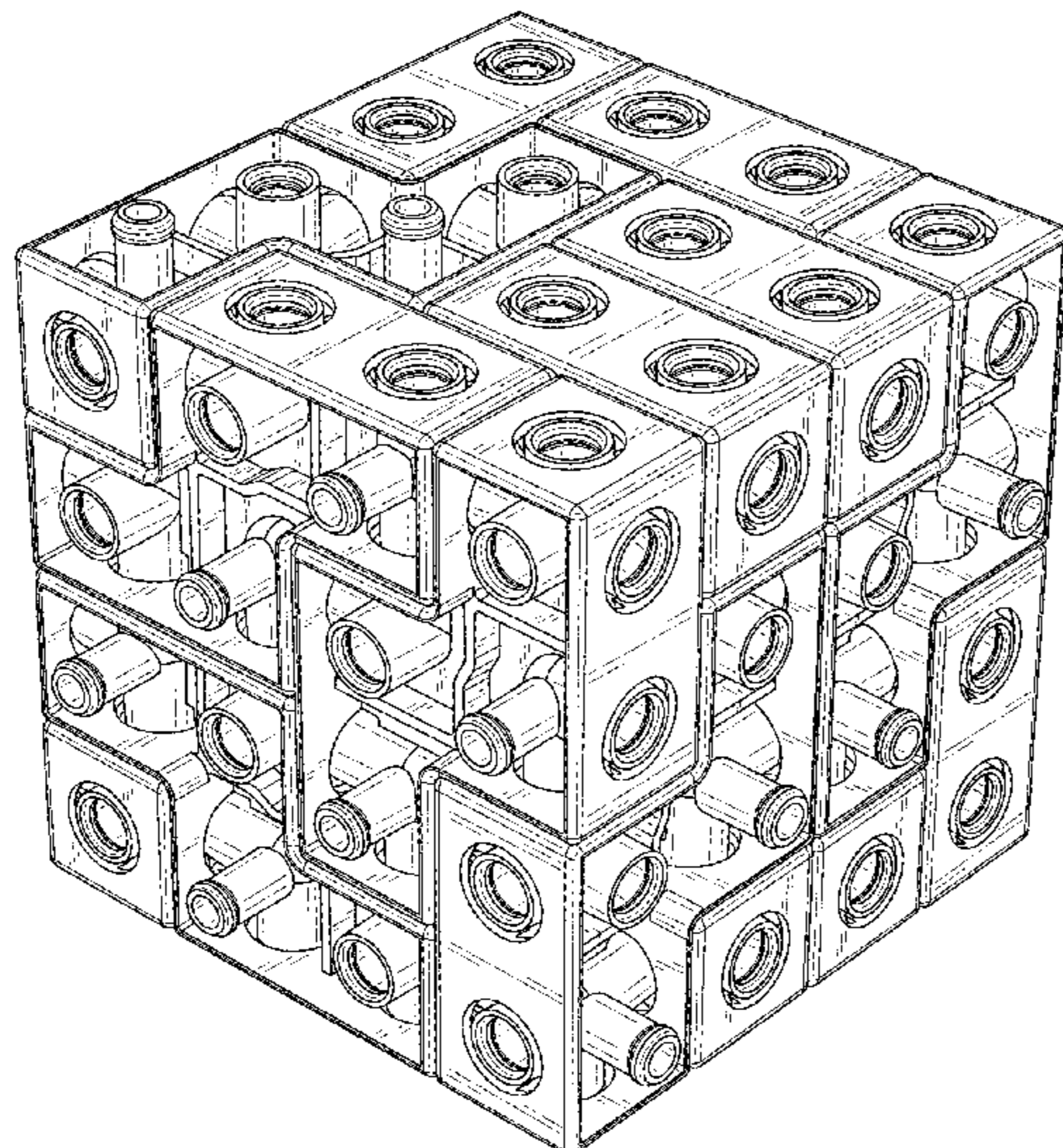
(57) **CLAIM**

The ornamental design for a three-dimensional logic puzzle, as shown and described.

DESCRIPTION

FIG. 1 is a perspective view of a three-dimensional logic puzzle showing our new design.
FIG. 2 is a front view thereof;
FIG. 3 is a left side view thereof;
FIG. 4 is a right side view thereof;
FIG. 5 is a top view thereof;
FIG. 6 is a bottom view thereof;
FIG. 7 is a rear view thereof;
FIG. 8 is a perspective view of one of a plurality of identical puzzle components comprising the puzzle in FIGS. 1-7, shown separately for clarity and completeness of disclosure.
FIG. 9 is a front view thereof;
FIG. 10 is a left side view thereof;
FIG. 11 is a right side view thereof;
FIG. 12 is a top view thereof;
FIG. 13 is a bottom view thereof; and,
FIG. 14 is a rear view thereof.

1 Claim, 11 Drawing Sheets



(58) **Field of Classification Search**

USPC ... 273/157 R, 160, 239, 276, 288, 290, 456;
 446/85, 108, 111–128; 434/128, 190,
 434/195, 196, 208, 211, 301, 393, 403
 CPC A63H 33/04; A63H 33/046; A63H 33/06;
 A63H 33/062; A63H 33/08; A63H
 33/086; A63H 33/088; A63H 33/26; A63F
 2003/00223; A63F 2003/00545; A63F
 2003/0063; A63F 2003/00694; A63F
 2003/00716; A63F 2003/00719; A63F
 2003/00728; A63F 2003/00738; A63F
 2003/00747; A63F 2003/00753; A63F
 2003/00794; A63F 2003/0081; A63F
 2003/00832; A63F 2003/00839; A63F
 2003/00867; A63F 9/0073; A63F 9/06;
 A63F 9/0602; A63F 9/12; A63F 9/1204;
 A63F 9/1208; A63F 9/1216; A63F
 9/1224; A63F 9/1236; A63F 9/1292;
 A63F 9/34

See application file for complete search history.

(56) **References Cited**

U.S. PATENT DOCUMENTS

3,672,681 A * 6/1972 Wolf A63F 9/12
 273/157 R
 4,008,895 A * 2/1977 Reiner A63F 7/042
 273/113
 4,077,154 A 3/1978 Muller
 4,257,609 A * 3/1981 Squibbs A63F 9/1204
 273/241
 4,624,647 A 11/1986 Munnix
 4,844,466 A * 7/1989 Johnson A63F 9/12
 273/157 R
 4,861,036 A * 8/1989 Watanabe A63F 7/042
 273/113

5,000,713 A * 3/1991 Cheng A63H 33/06
 273/160
 5,184,822 A * 2/1993 Bogner A63F 9/0826
 273/153 R
 5,310,183 A * 5/1994 Glikmann A63F 9/083
 273/153 S
 6,196,544 B1 * 3/2001 Rachofsky A63F 9/12
 273/157 R
 6,322,414 B1 * 11/2001 Lin A63H 33/10
 446/122
 6,568,679 B1 * 5/2003 Sommer A63F 7/042
 273/118 R
 6,679,780 B1 1/2004 Shih
 D655,352 S * 3/2012 Peeters D21/386
 D656,558 S * 3/2012 Fuchs D21/337
 D705,366 S * 5/2014 Inversin D21/478
 2002/0167127 A1 * 11/2002 Fang A63F 9/083
 273/153 R
 2005/0110212 A1 5/2005 Shih
 2005/0191932 A1 * 9/2005 Lin A63H 33/086
 446/85
 2008/0160875 A1 * 7/2008 Leicht A63F 9/12
 446/124
 2011/0042892 A1 * 2/2011 Pineda A63F 9/12
 273/153 S
 2012/0013072 A1 * 1/2012 Loveland A63F 9/1204
 273/157 R
 2013/0072082 A1 3/2013 Wizenberg et al.
 2019/0275417 A1 * 9/2019 Manizade A63H 33/04

FOREIGN PATENT DOCUMENTS

GB 2423727 A 9/2006
 JP S53147994 U 11/1978
 TW 201247292 A 12/2012
 WO 9322018 A1 11/1993
 WO WO-2011097565 A1 * 8/2011 A63H 33/106
 WO 2018009975 A1 1/2018
 WO WO-2018027272 A1 * 2/2018 A63H 33/086

* cited by examiner

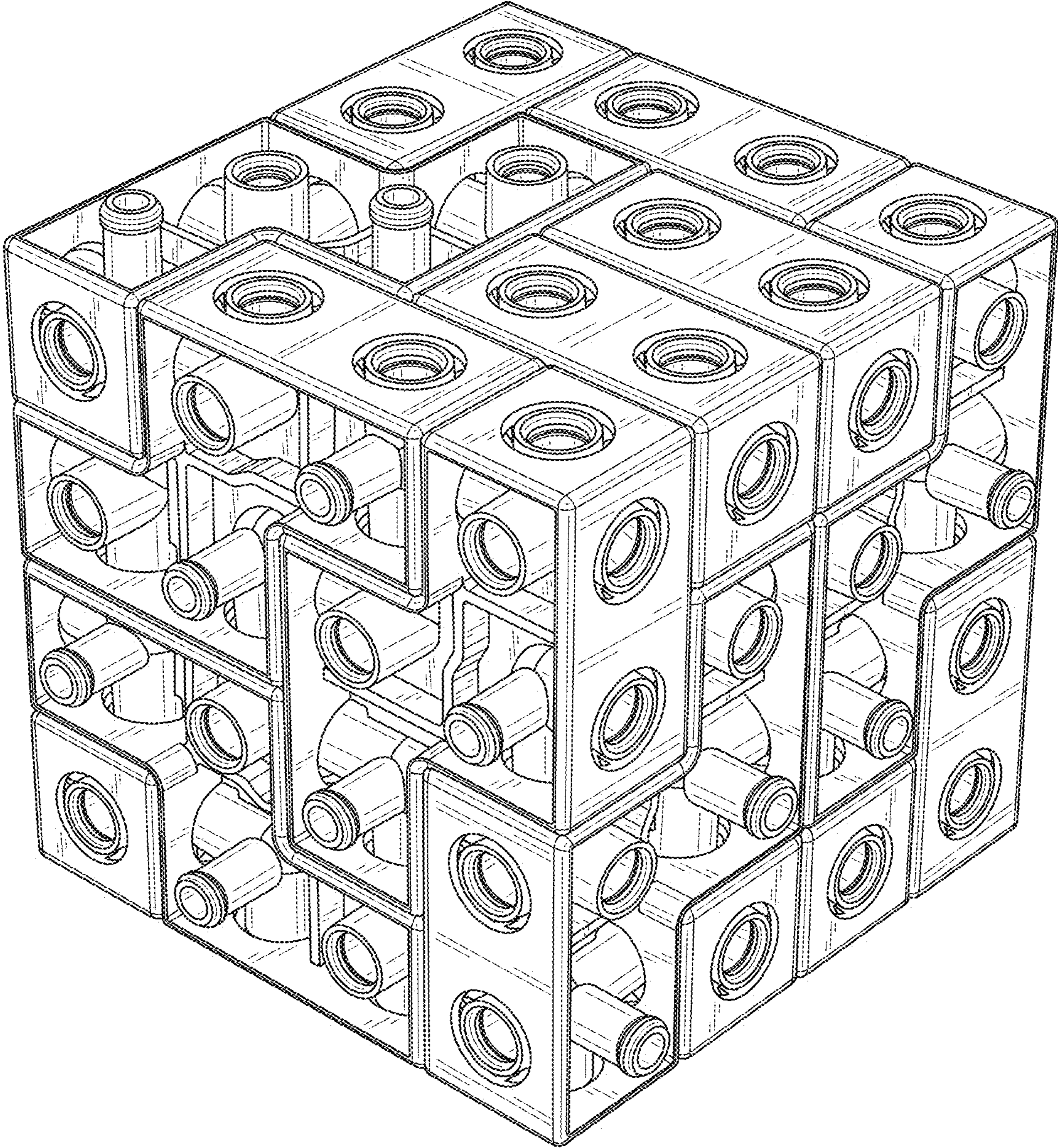


FIG. 1

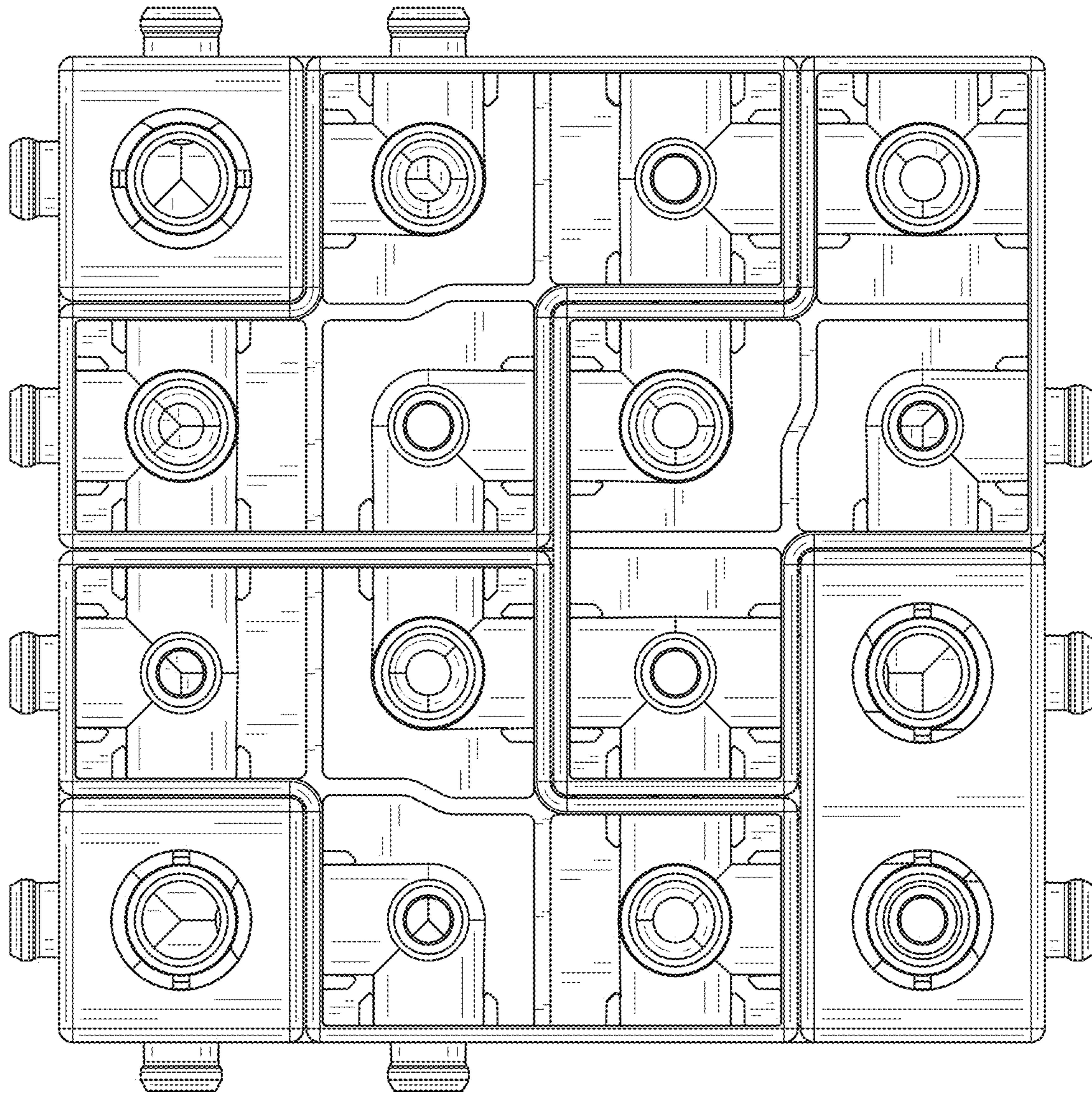


FIG. 2

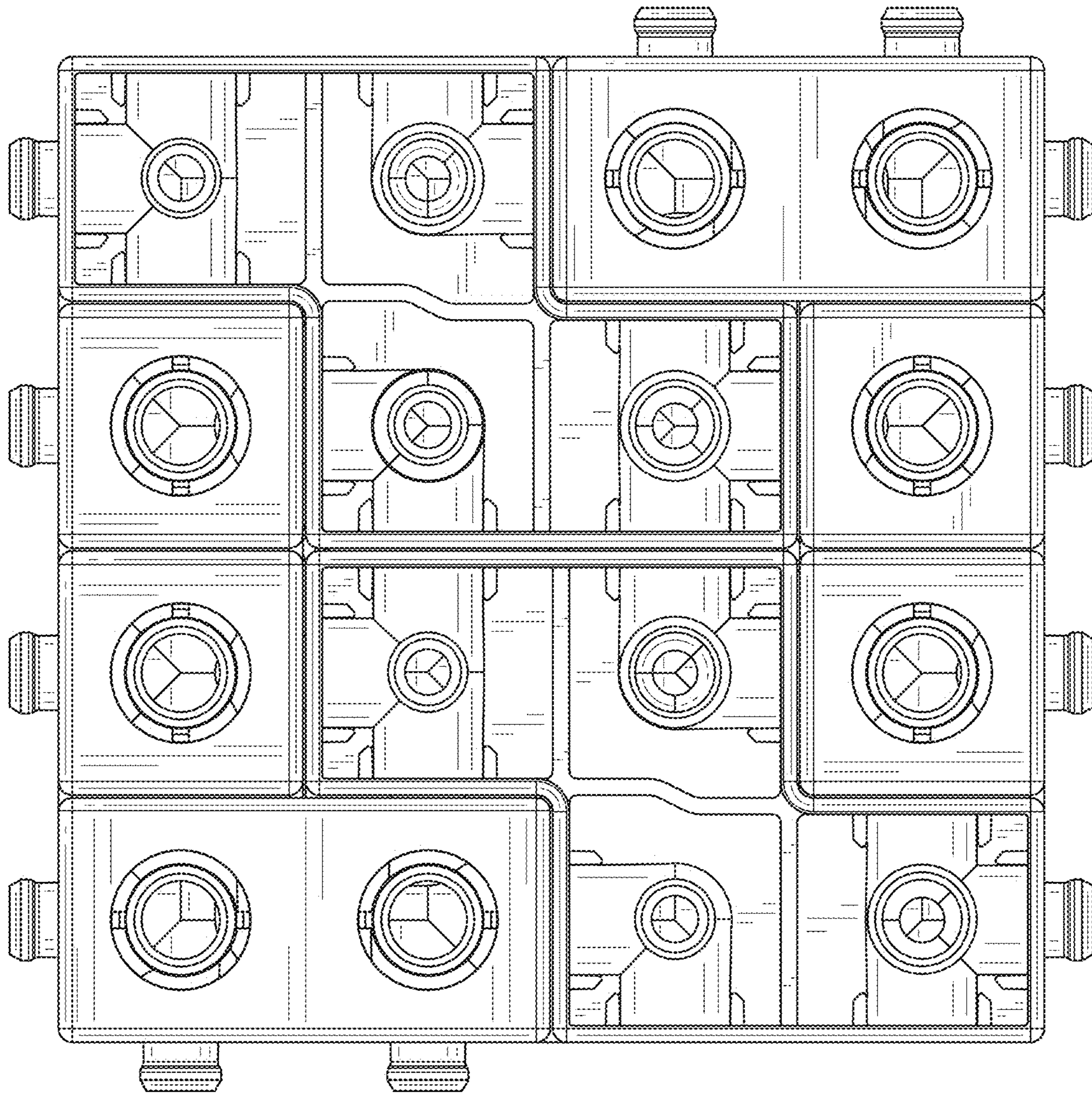


FIG. 3

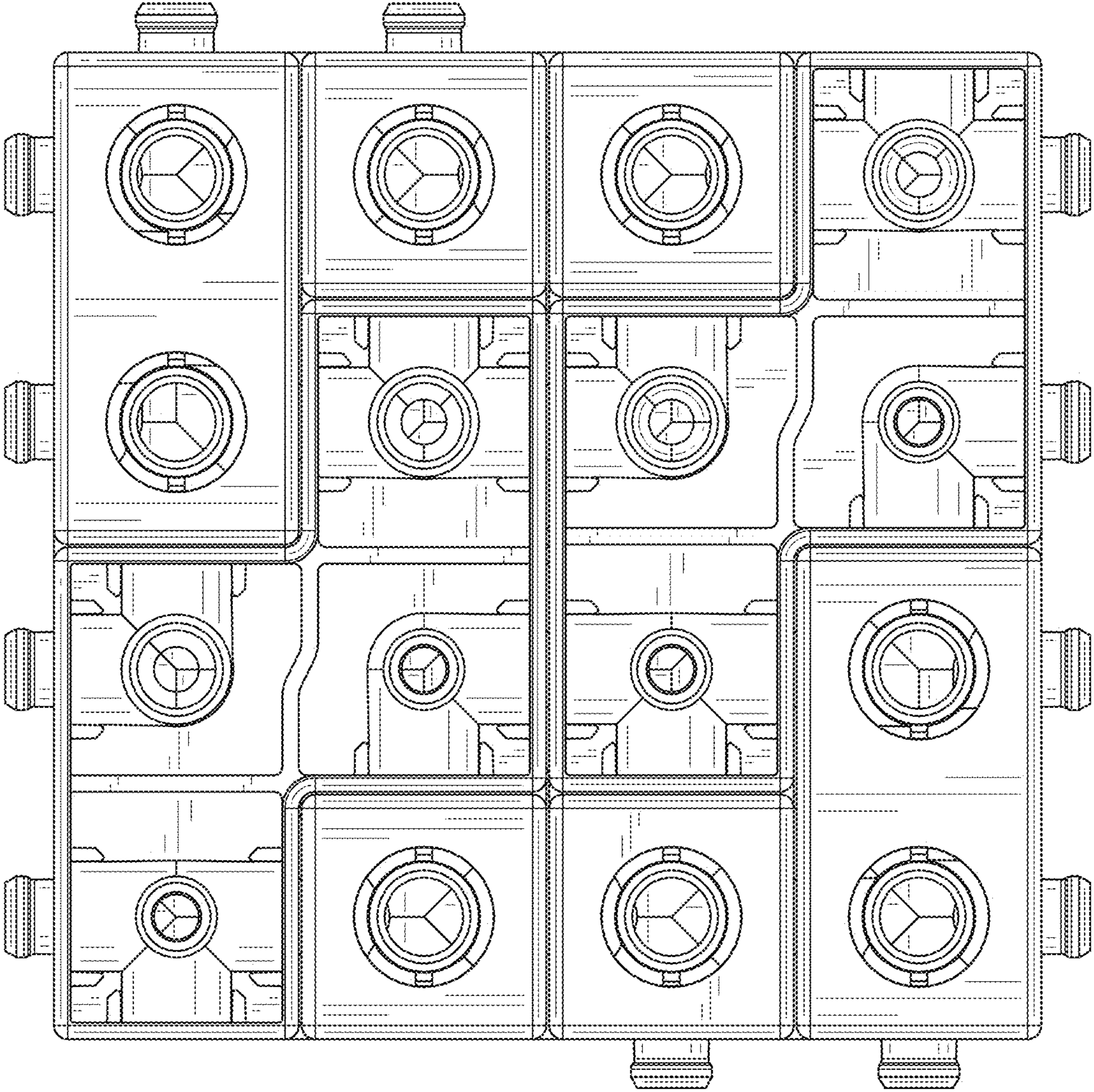


FIG. 4

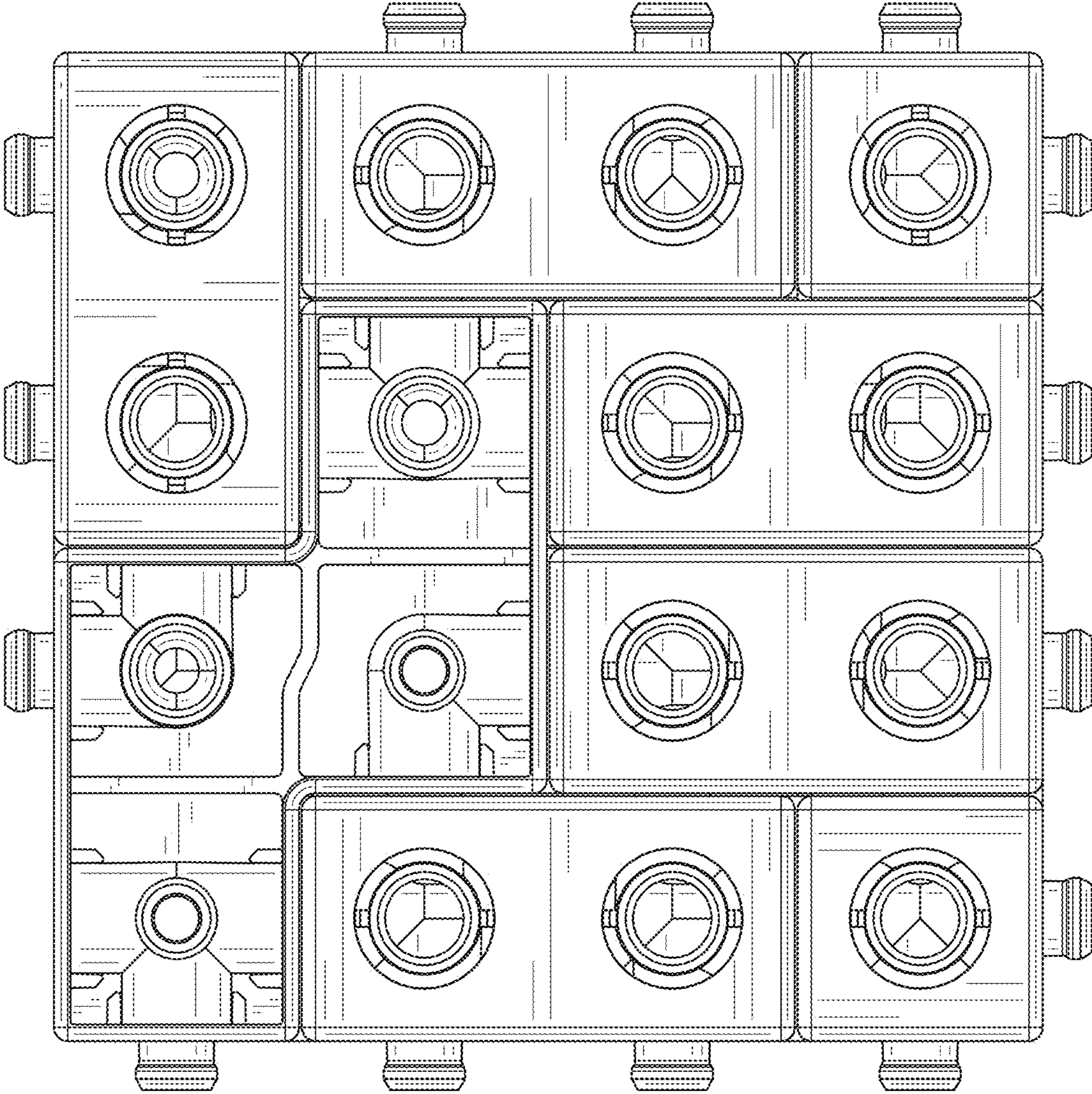


FIG. 5

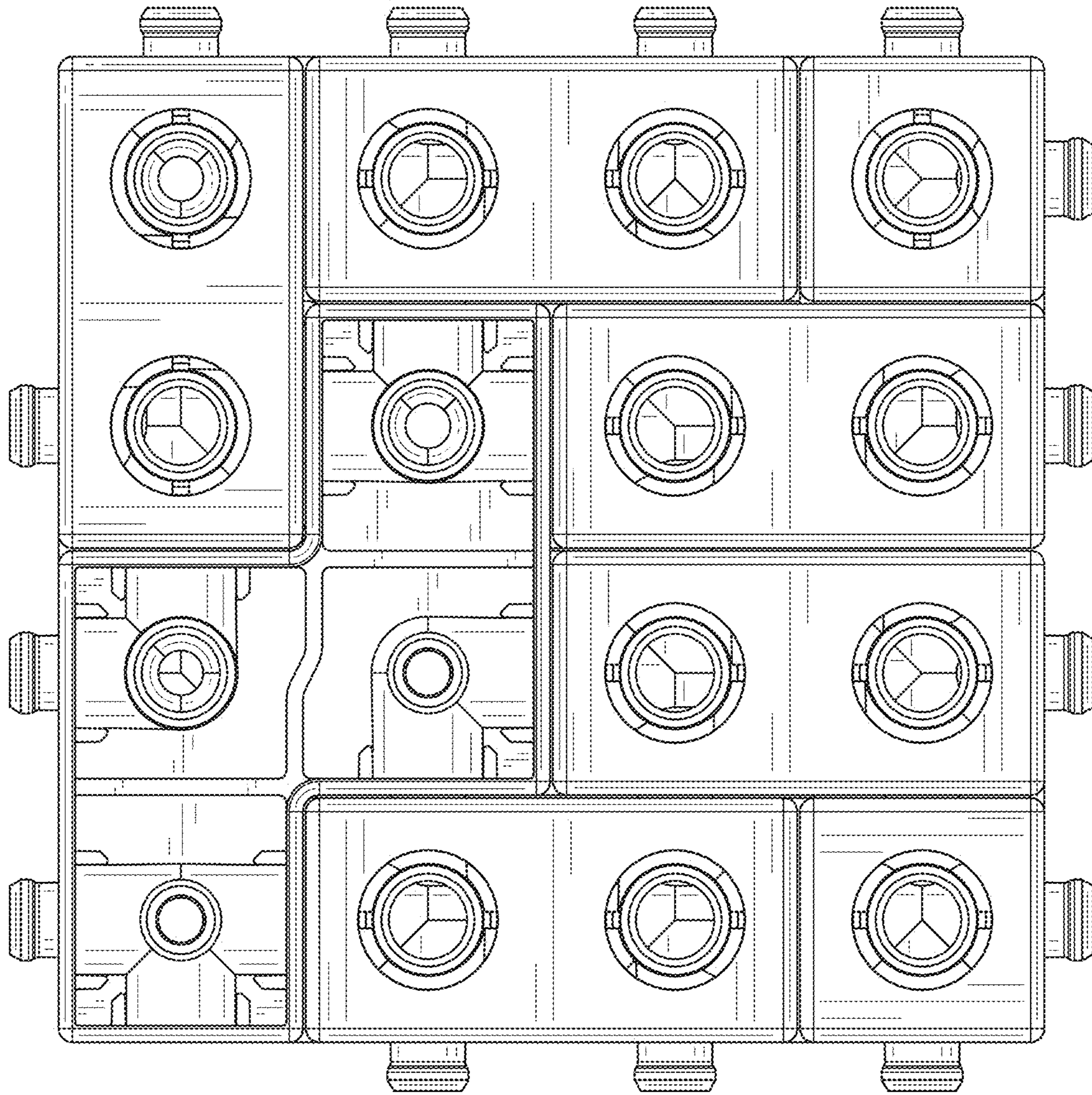


FIG. 6

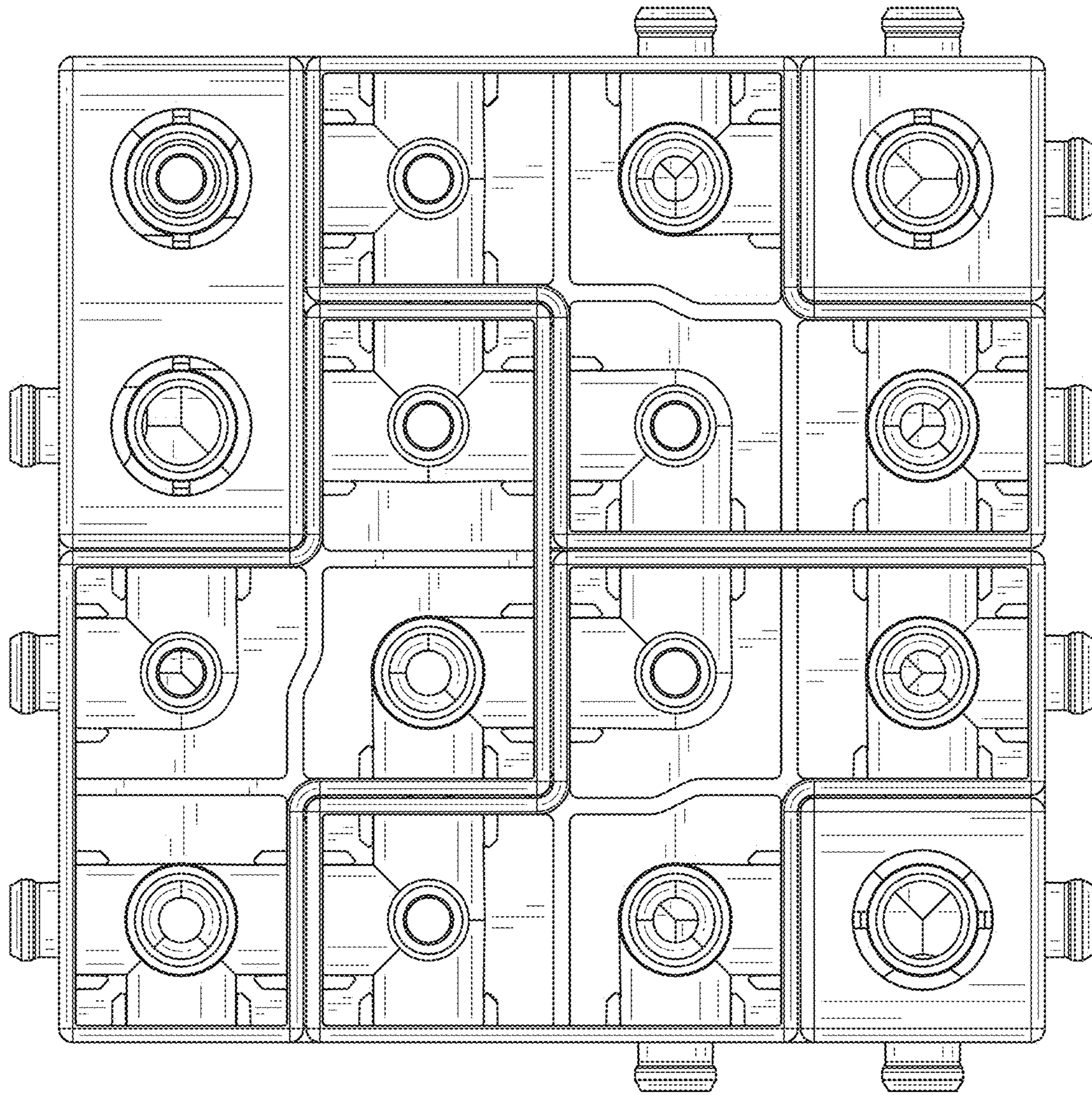


FIG. 7

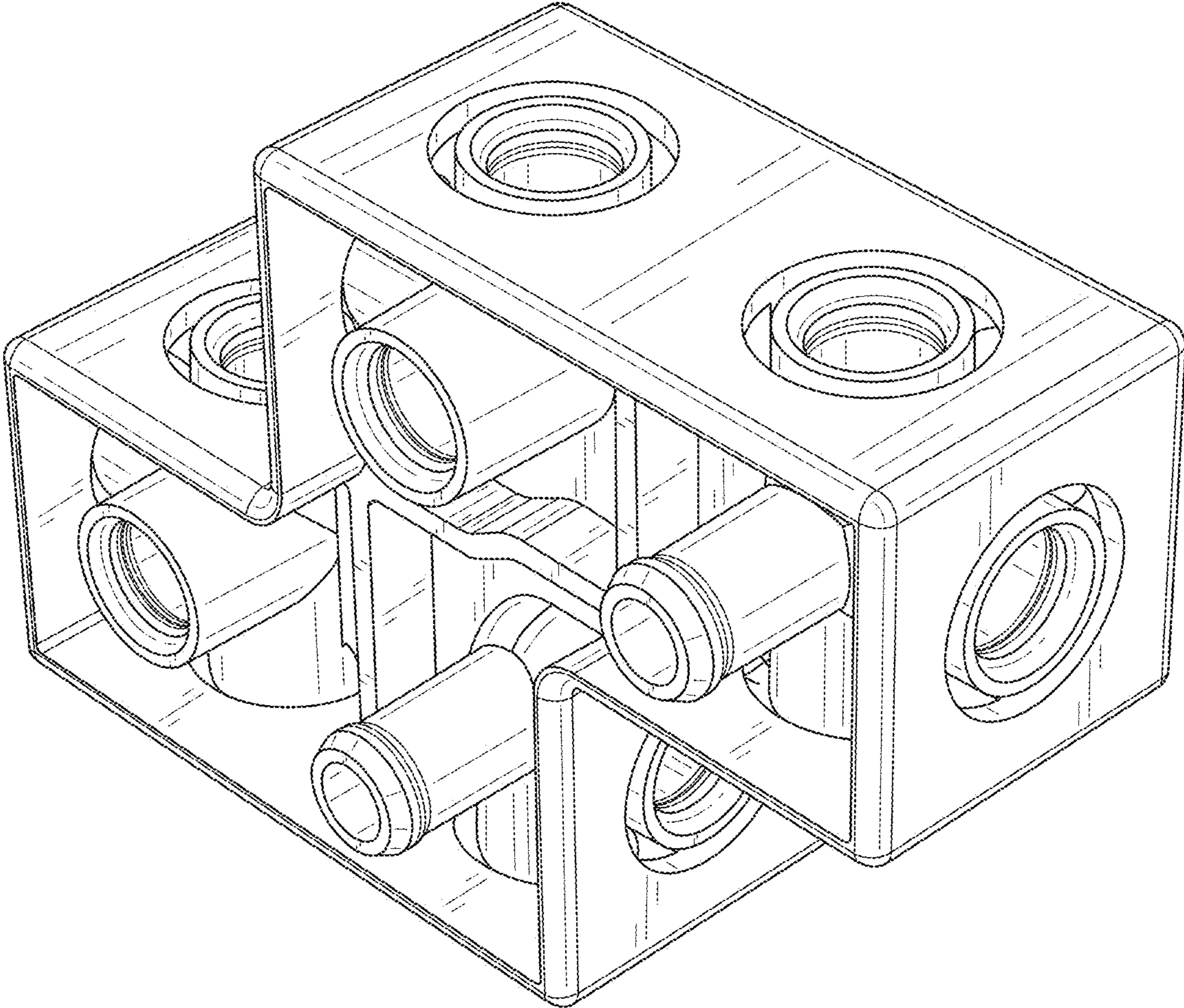


FIG. 8

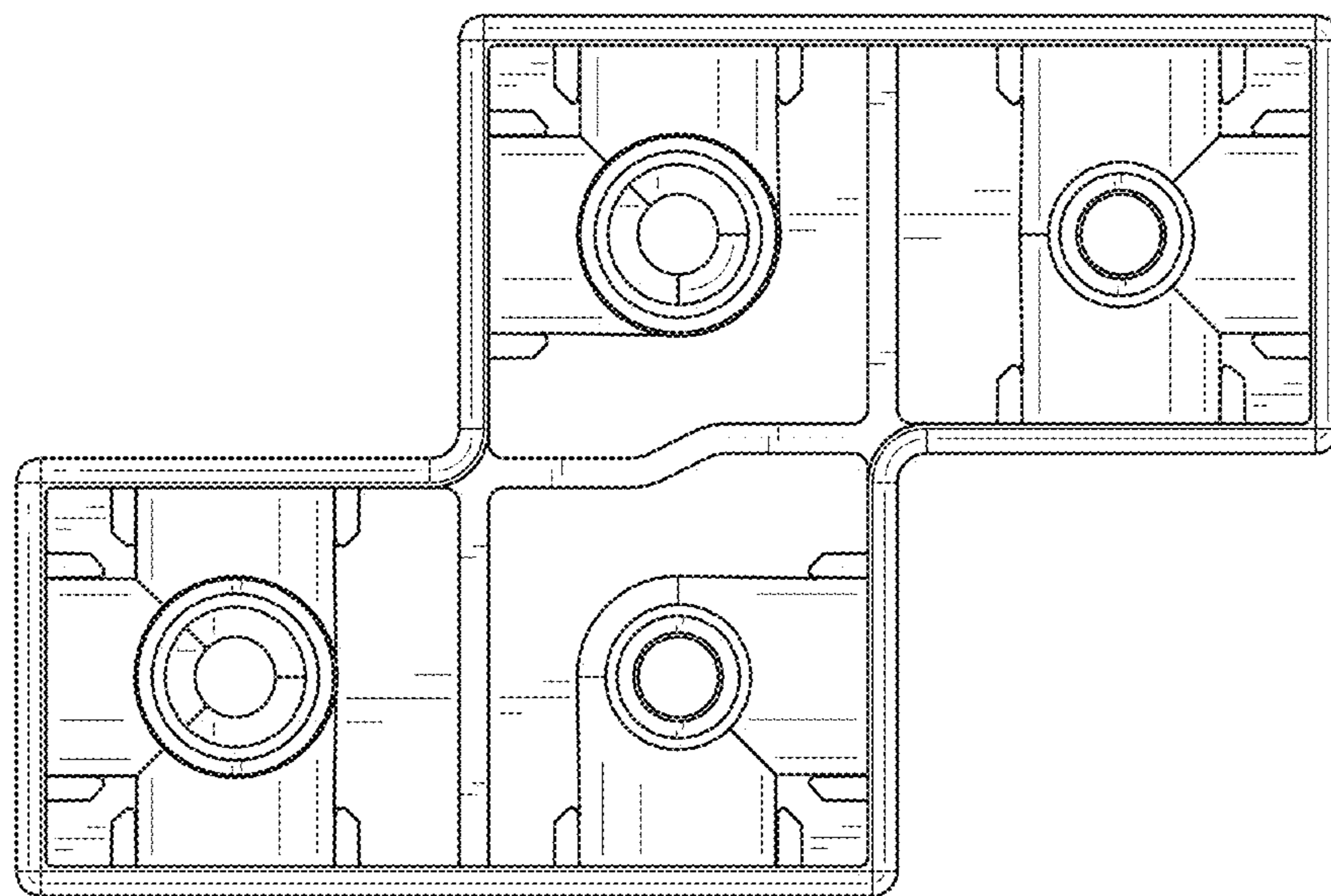


FIG. 9

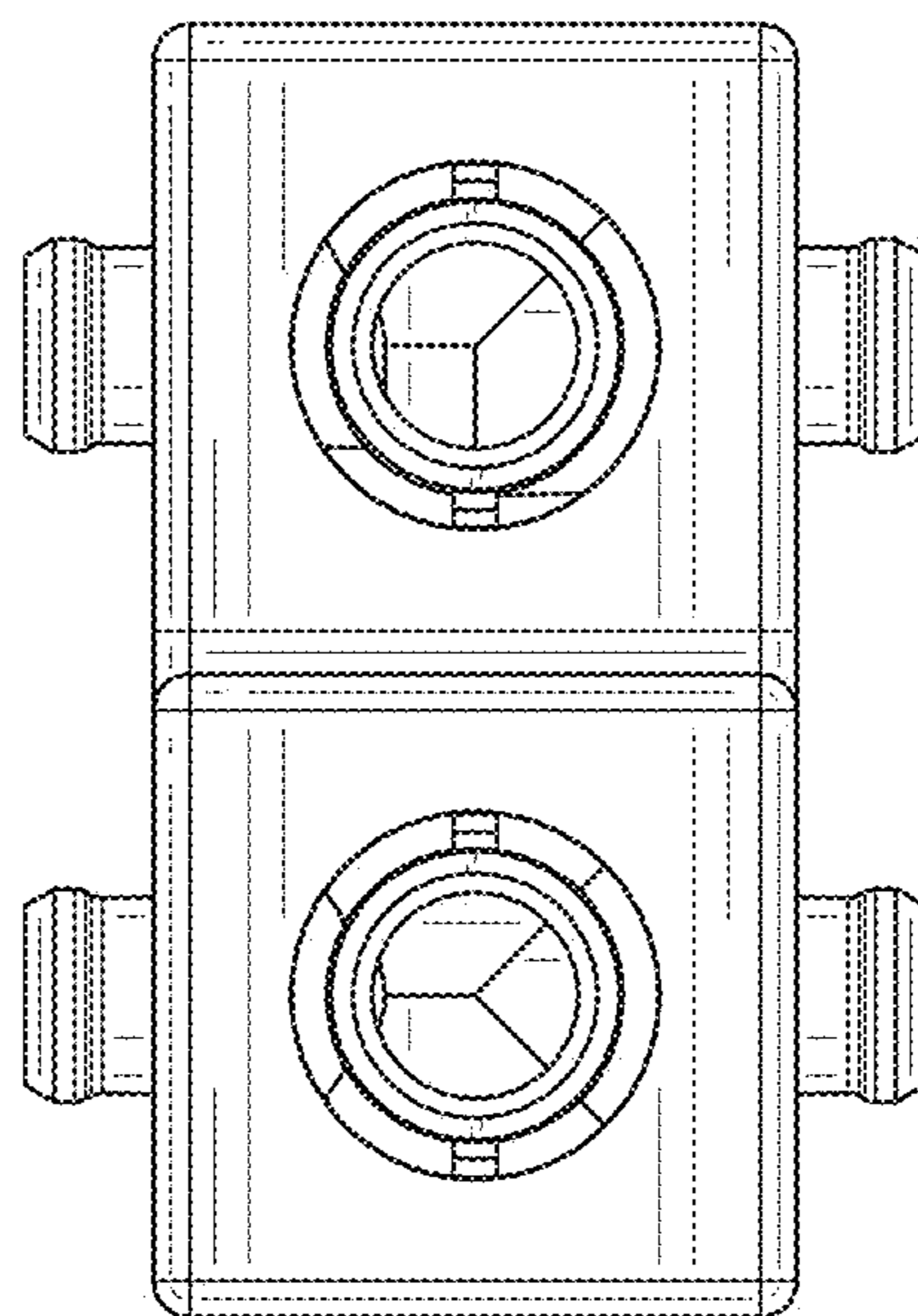


FIG. 10

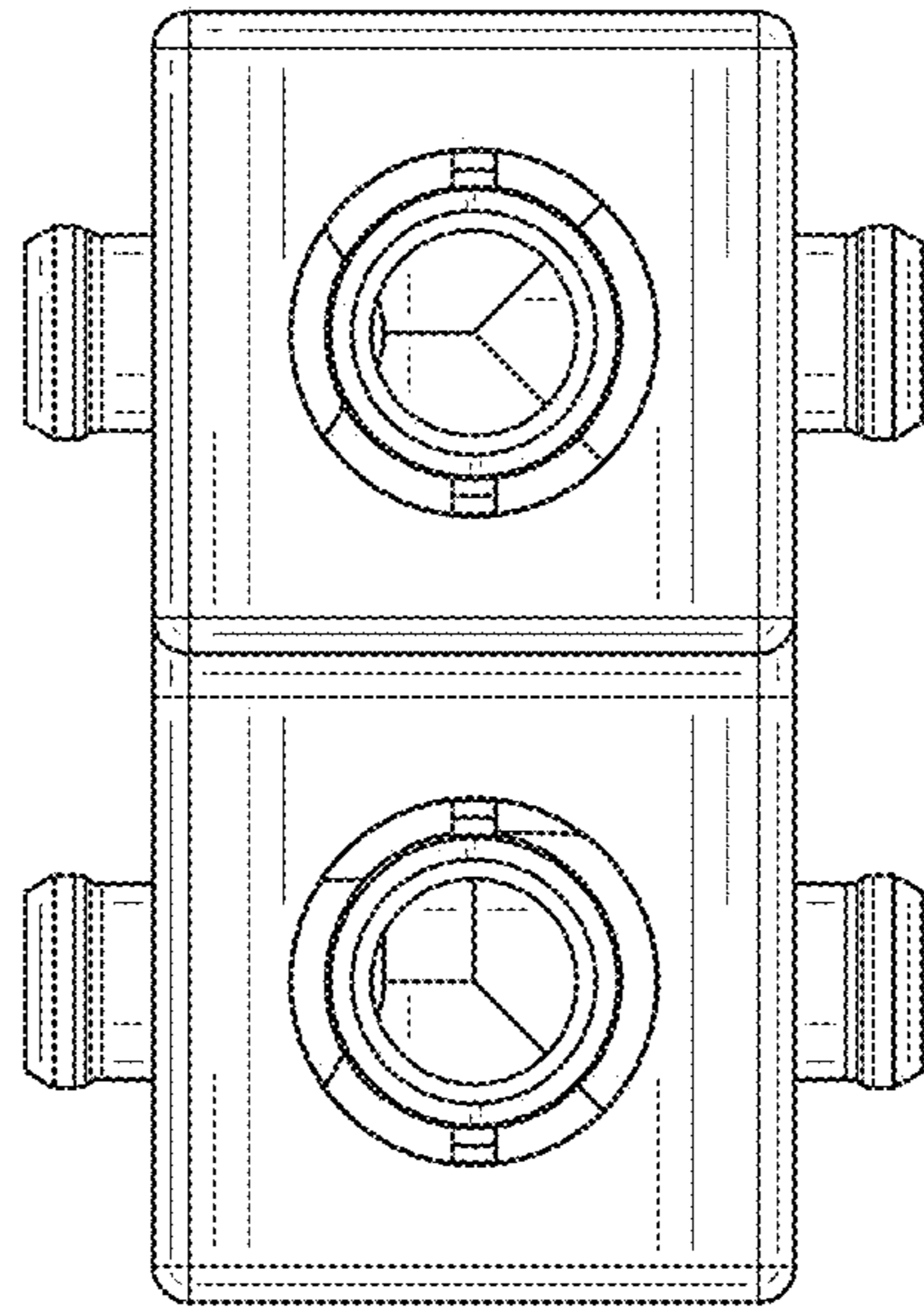


FIG. 11

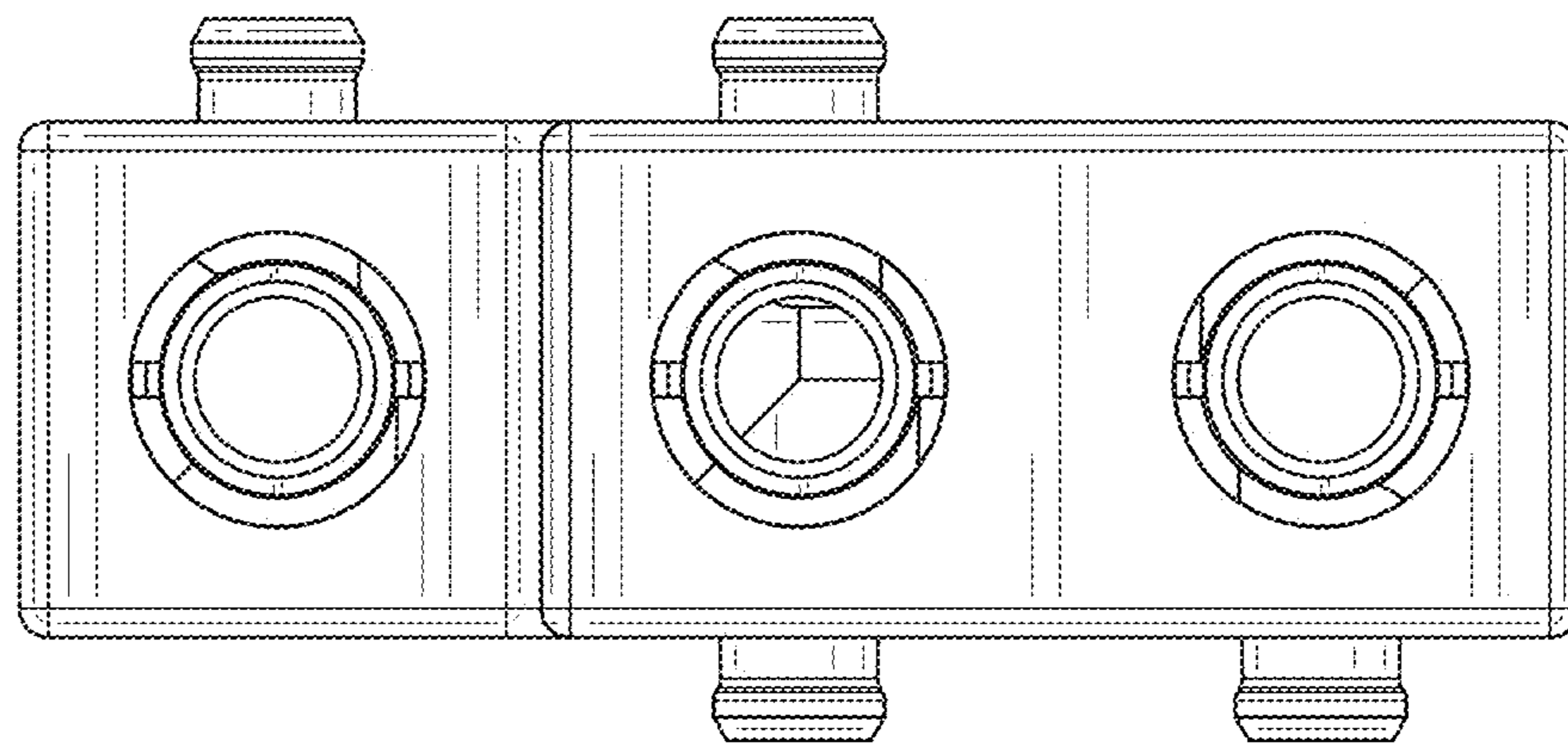


FIG. 12

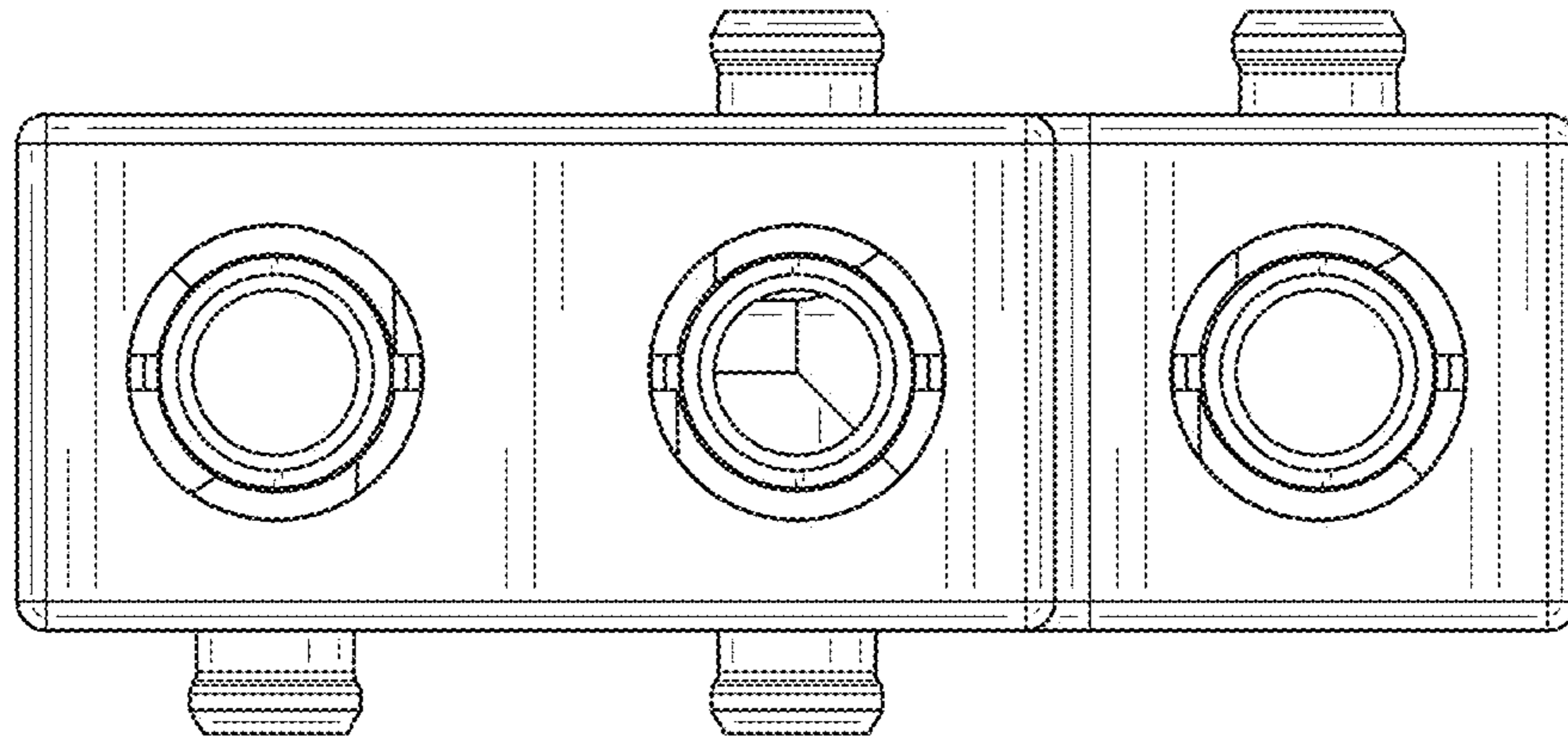


FIG. 13

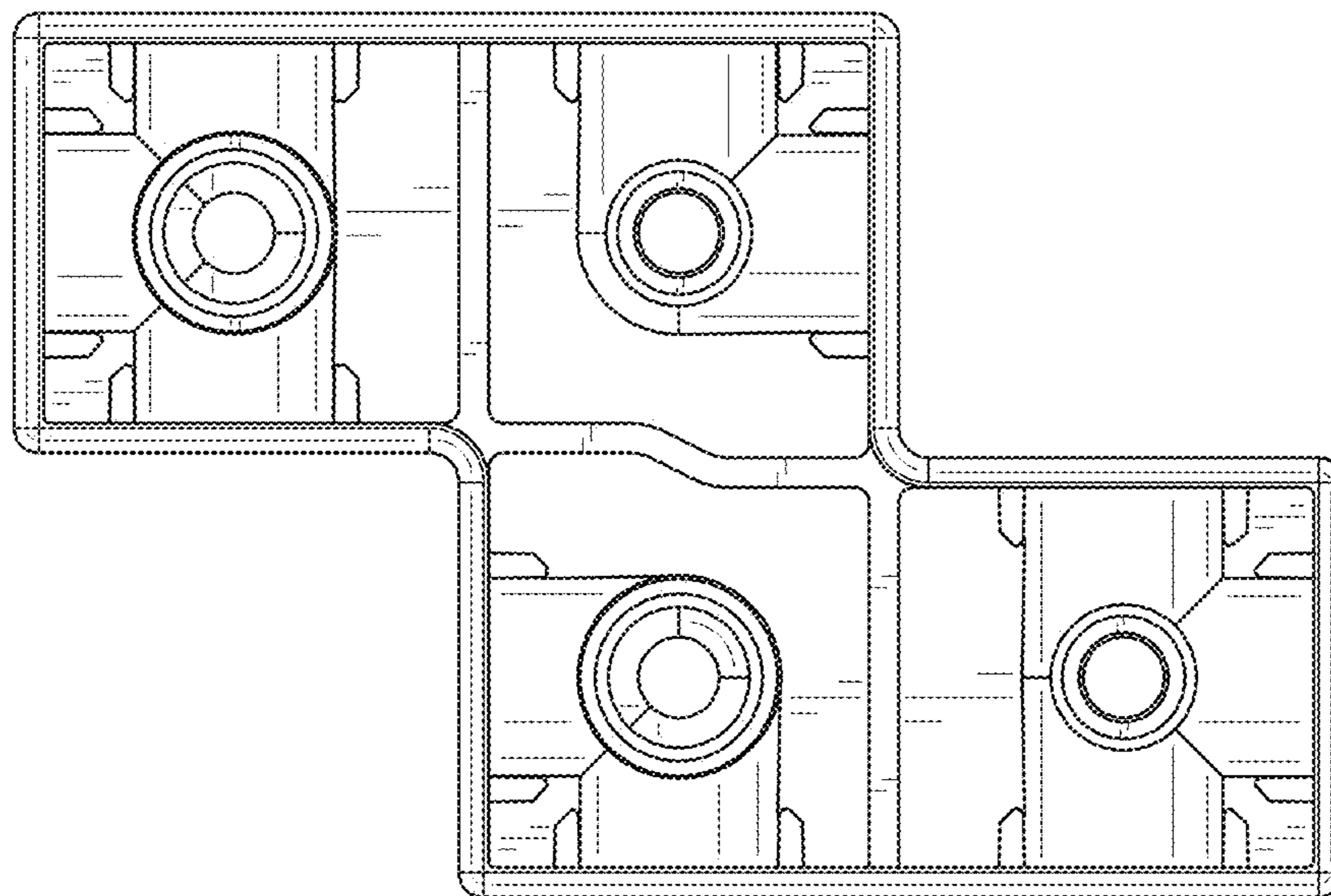


FIG. 14