



US00D903776S

(12) **United States Design Patent**
Chen

(10) **Patent No.:** **US D903,776 S**

(45) **Date of Patent:** **** Dec. 1, 2020**

(54) **TOY ANIMAL FOR RIDING**

(71) Applicant: **PonyCycle, Inc.**, Mercer Island, WA (US)

(72) Inventor: **Bo Chen**, Mercer Island, WA (US)

(73) Assignee: **PonyCycle, Inc.**, Mercer Island, WA (US)

(**) Term: **15 Years**

(21) Appl. No.: **29/693,404**

(22) Filed: **Jun. 3, 2019**

(30) **Foreign Application Priority Data**

Dec. 14, 2018 (WO) DM/200307

(51) **LOC (12) Cl.** **21-01**

(52) **U.S. Cl.**
USPC **D21/429**

(58) **Field of Classification Search**

USPC D21/416, 419, 427-429, 591, 592, 620;
D12/174, 203

CPC A63G 13/06; A63G 13/08; A63G 19/00;
B62J 25/00

See application file for complete search history.

(56) **References Cited**

U.S. PATENT DOCUMENTS

1,979,861 A * 11/1934 Bullock B62J 25/00
280/291

D723,984 S * 3/2015 Anderson D12/203

9,744,894 B2 * 8/2017 Carlioz B60N 3/063
D803,126 S * 11/2017 Foley D12/203
D813,760 S * 3/2018 Johnson D12/174
D827,536 S * 9/2018 Foley D12/203
D833,336 S * 11/2018 McFarland B62J 25/00
D12/114
D875,839 S * 2/2020 Chen D21/416

* cited by examiner

Primary Examiner — Cynthia M. Chin

(74) *Attorney, Agent, or Firm* — Maier & Maier, PLLC

(57) **CLAIM**

The ornamental design for a toy animal for riding, as shown and described.

DESCRIPTION

FIG. 1 is a front perspective view of a toy animal for riding, showing the design;

FIG. 2 is a right side view thereof;

FIG. 3 is a front view thereof;

FIG. 4 is a left side view thereof;

FIG. 5 is a bottom view thereof;

FIG. 6 is a top view thereof; and,

FIG. 7 is a perspective view showing the article in use.

The broken lines are for the purpose of illustrating portions of the article that form no part of the claimed design.

1 Claim, 7 Drawing Sheets

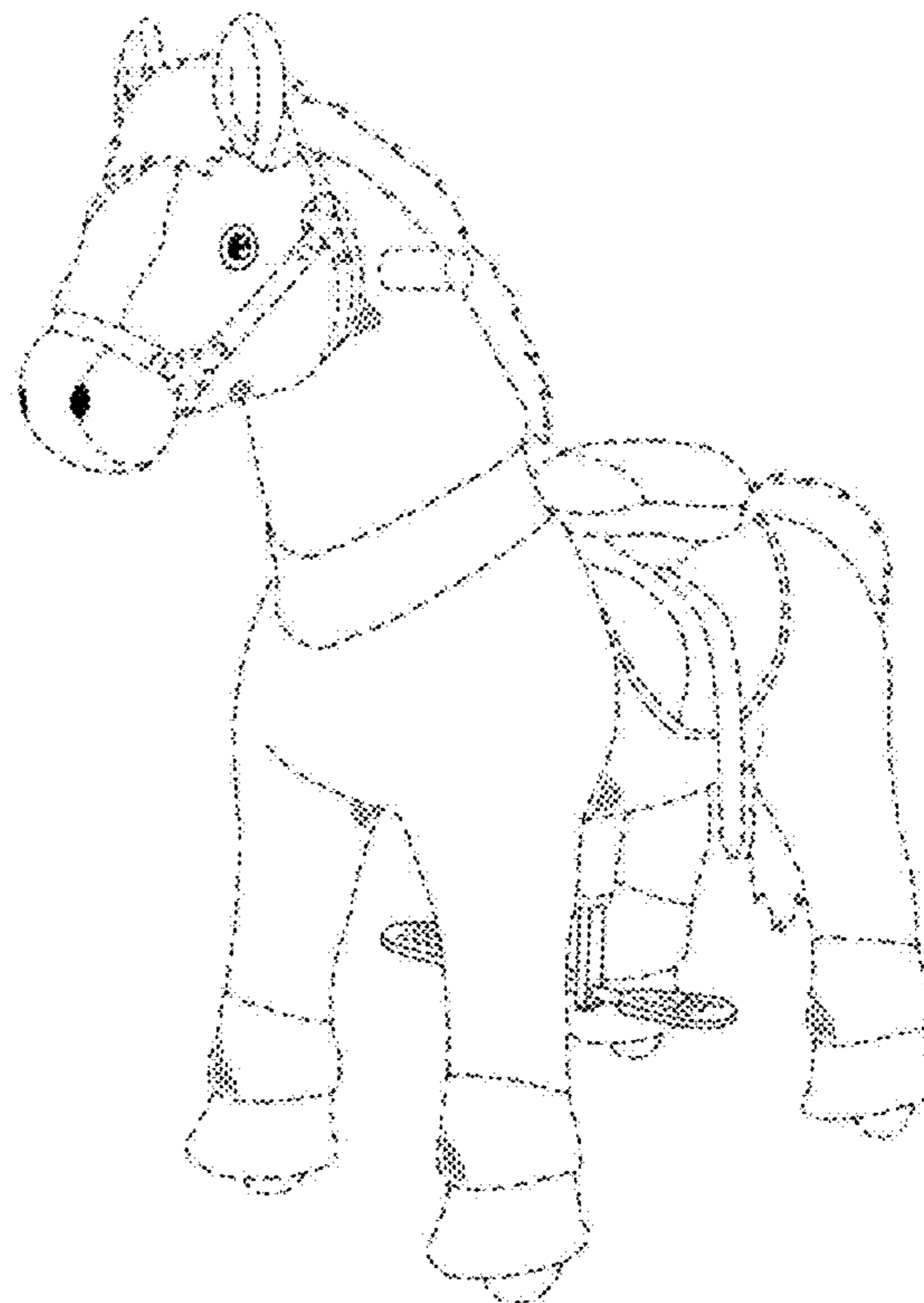
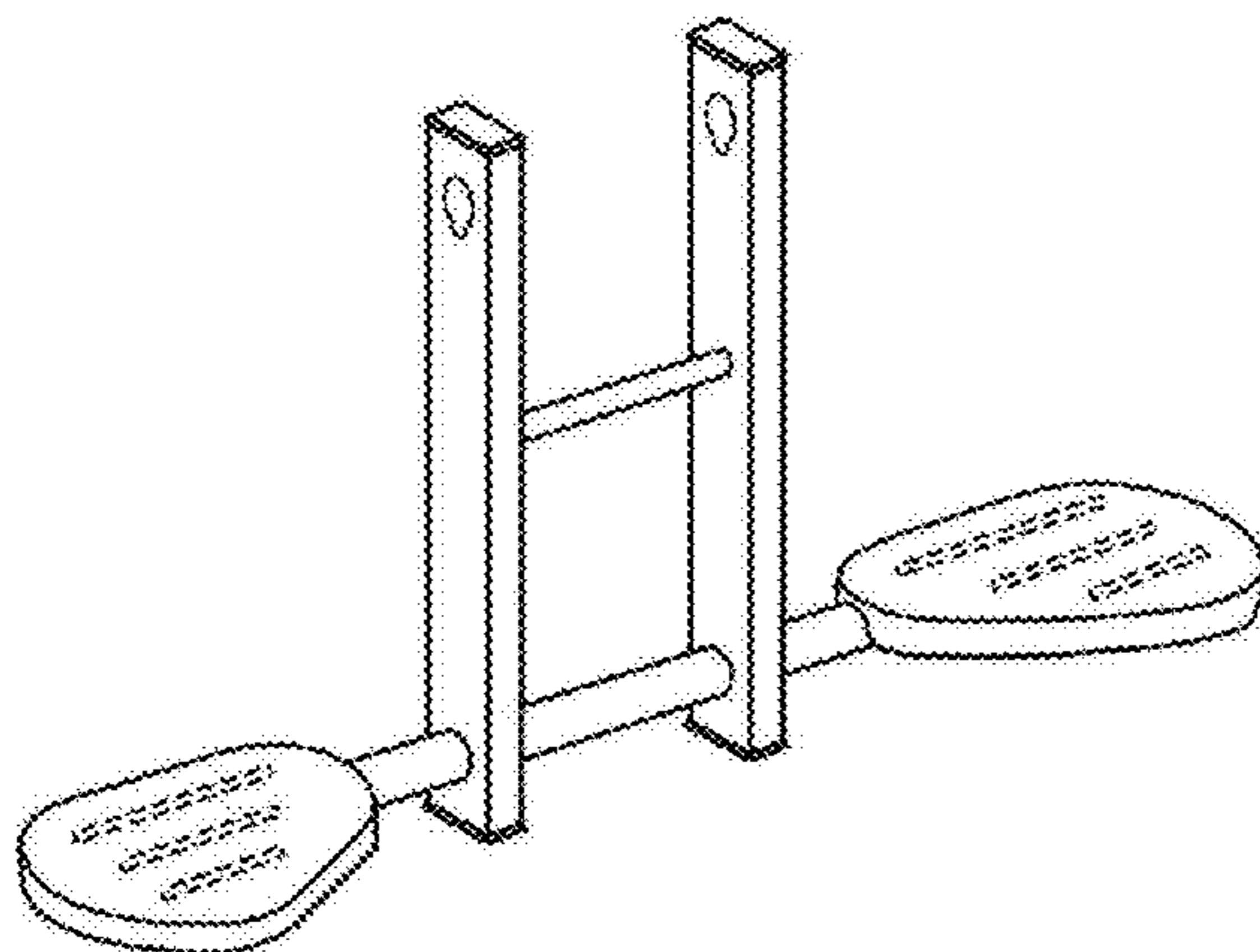


FIG. 1

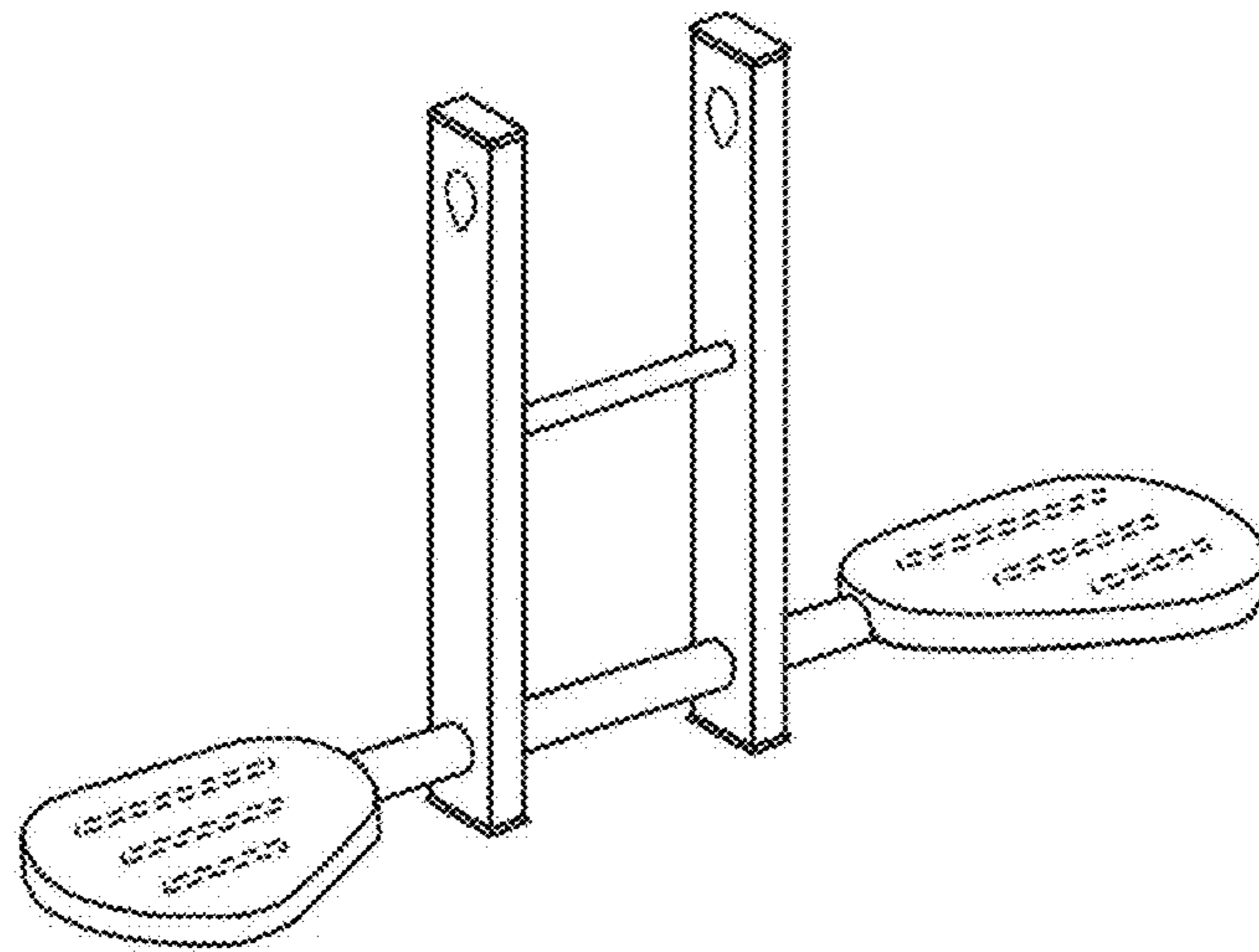


FIG. 2

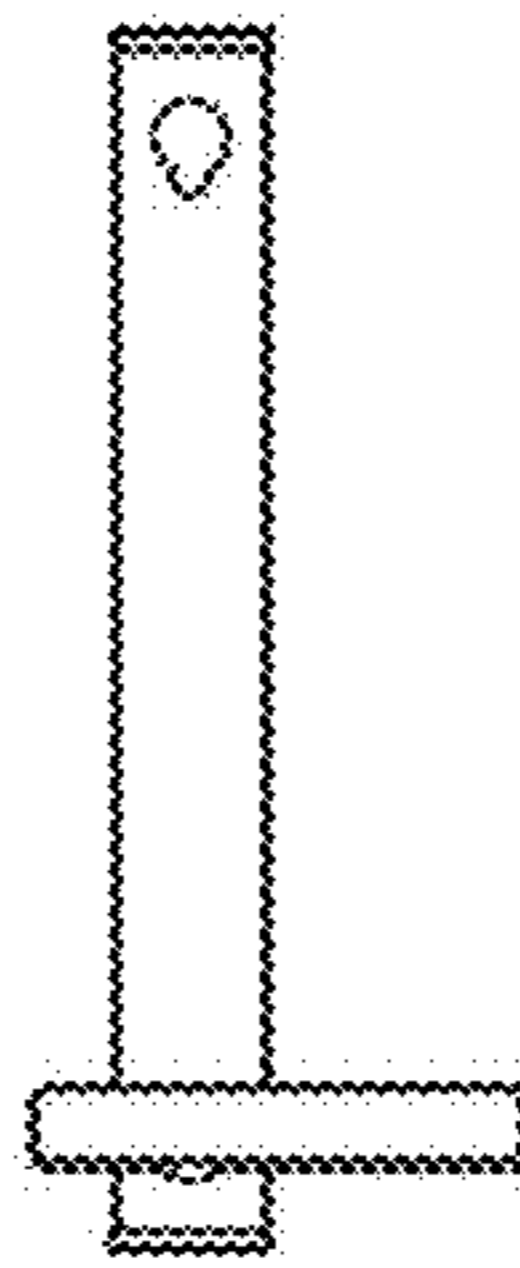


FIG. 3

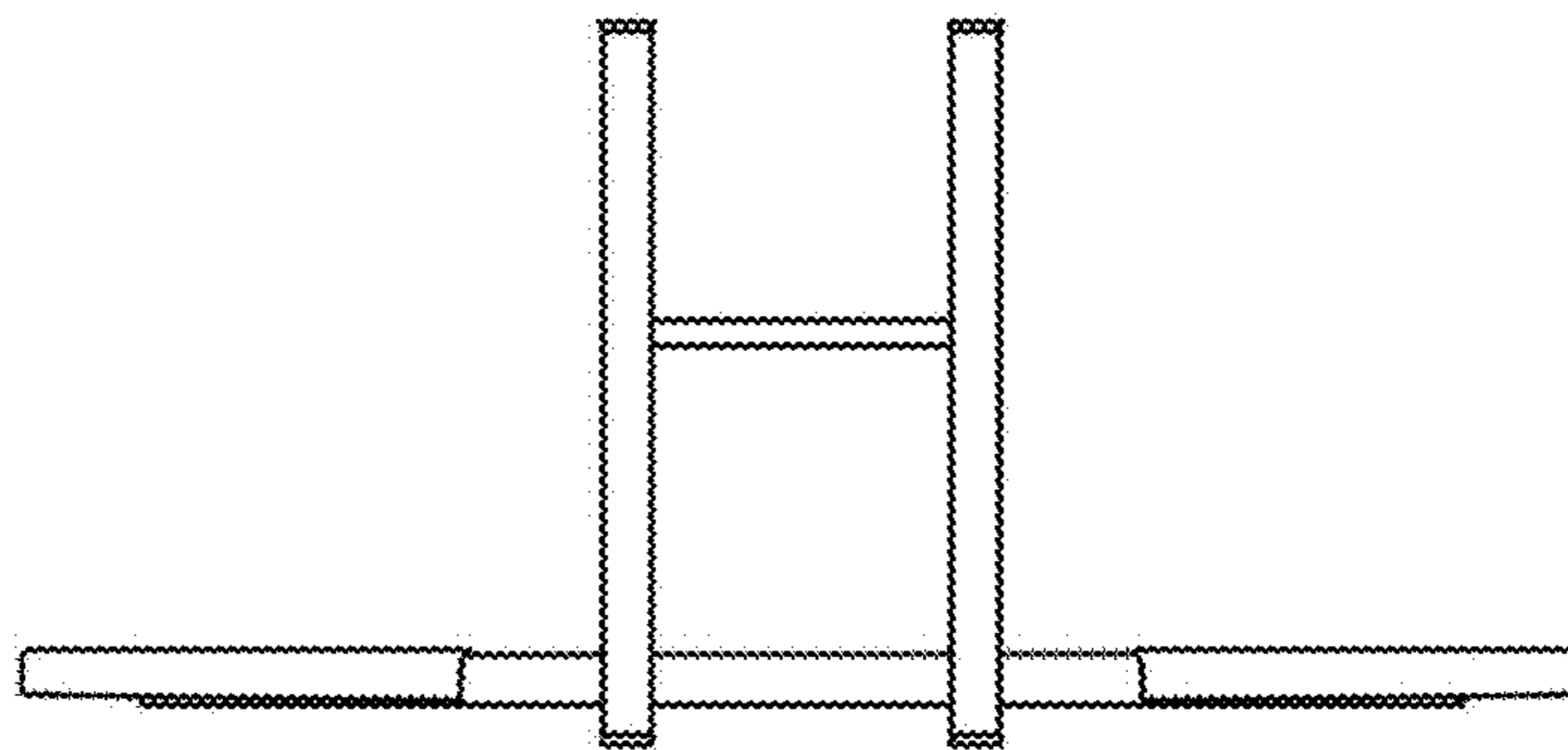


FIG. 4

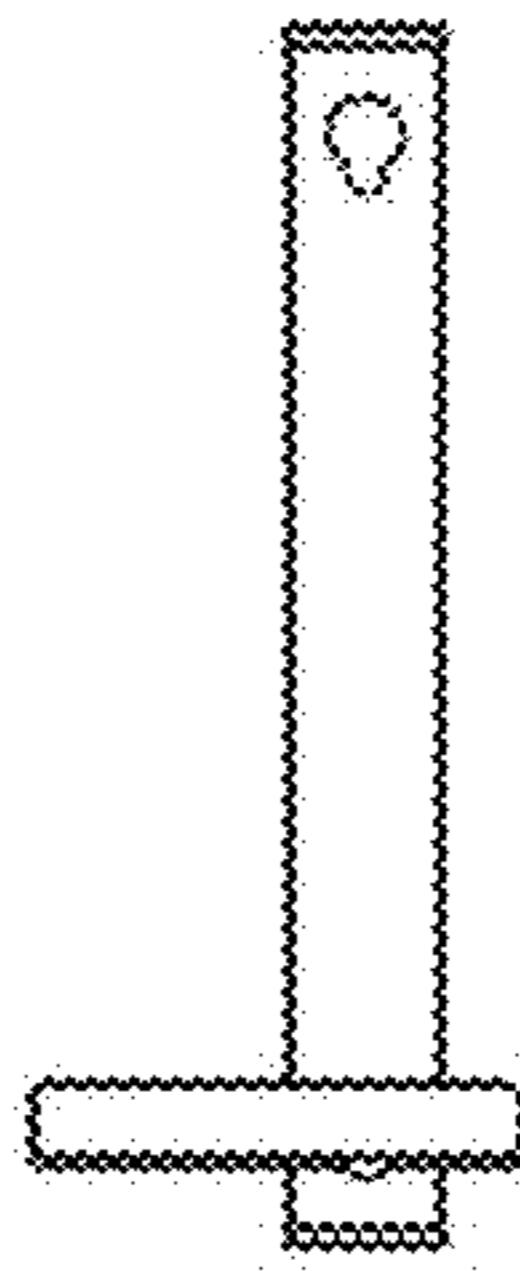


FIG. 5

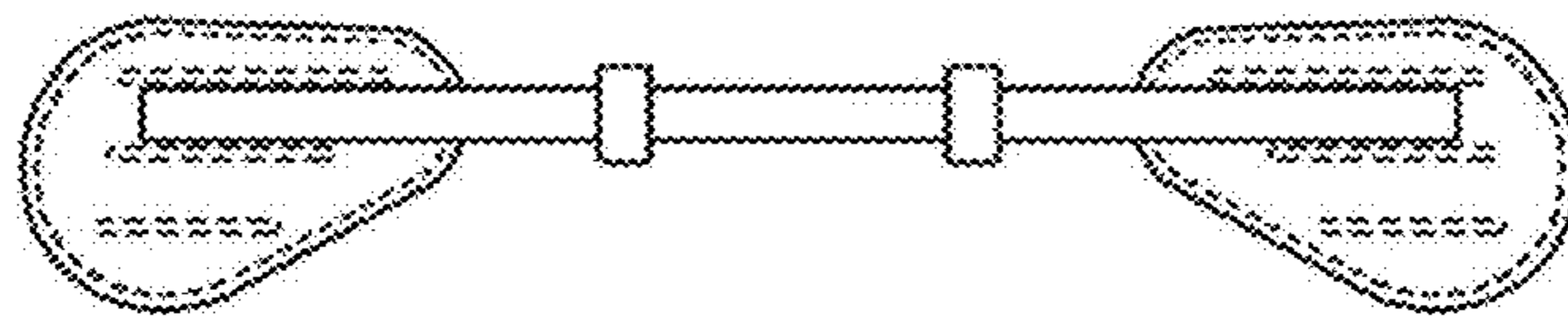


FIG. 6

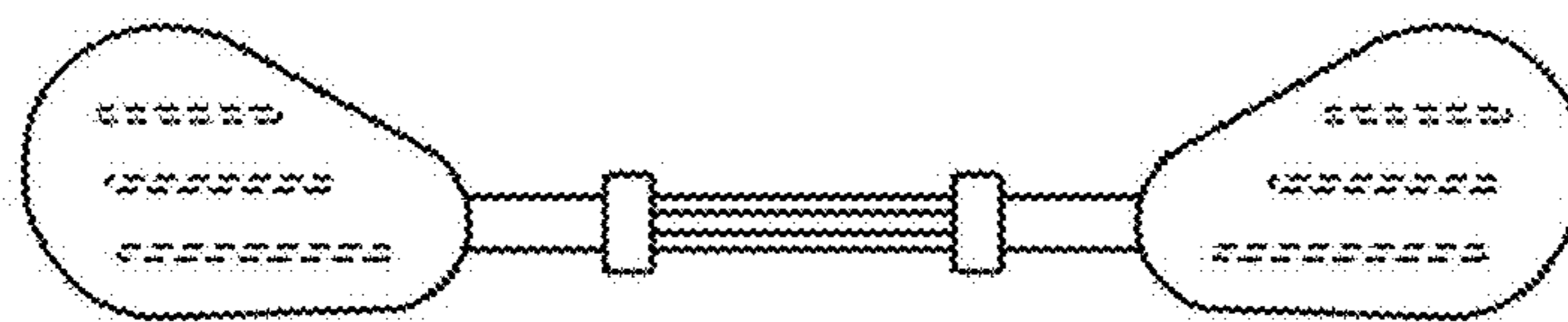


FIG. 7

