



US00D903775S

(12) **United States Design Patent** (10) **Patent No.:** **US D903,775 S**
Pesa (45) **Date of Patent:** **** Dec. 1, 2020**

(54) **KART BODY**

D670,605 S * 11/2012 Nauert D12/88
D729,695 S * 5/2015 Bowlby D12/88
D764,601 S * 8/2016 Desberg D21/426

(71) Applicant: **BRP-ROTAX GMBH & CO. KG,**
Gunskirchen (AT)

FOREIGN PATENT DOCUMENTS

(72) Inventor: **Niko Pesa,** Bromont (CA)

CN 304321453 S 10/2017
EM 001648882-0004 1/2010
EM 001971664-0001 1/2012

(73) Assignee: **BRP-ROTAX GMBH & CO. KG,**
Gunskirchen (AT)

(Continued)

(**) Term: **15 Years**

OTHER PUBLICATIONS

(21) Appl. No.: **29/694,796**

Grant Decision dated Jul. 7, 2020 by the Japanese Patent Office in connection with the corresponding Application No. 2019-027704 including references cited by the Examiner.

(22) Filed: **Jun. 13, 2019**

(Continued)

(51) **LOC (12) Cl.** **21-01**

(52) **U.S. Cl.**

USPC **D21/426**

(58) **Field of Classification Search**

USPC D21/419-435; D12/1, 107, 112, 87

CPC B62D 21/183; B60G 2300/26; B60Y

2200/114

See application file for complete search history.

Primary Examiner — Cynthia M. Chin

(74) *Attorney, Agent, or Firm* — BCF LLP

(57)

CLAIM

The ornamental design for a kart body, as shown and described.

(56) **References Cited**

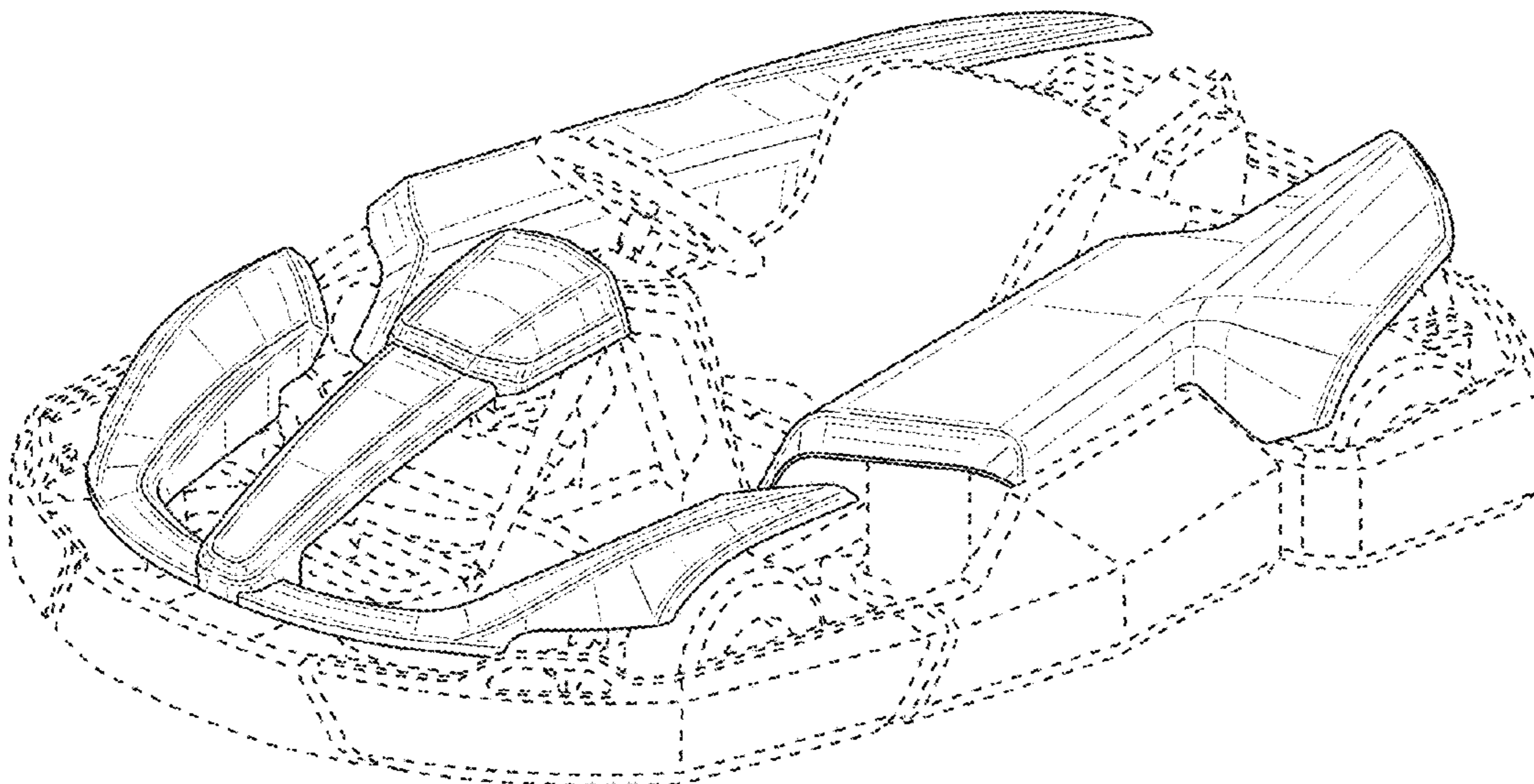
U.S. PATENT DOCUMENTS

D253,605 S * 12/1979 Herd D21/550
D255,810 S * 7/1980 Bretschger D21/550
D359,082 S * 6/1995 Aker D21/550
D365,782 S * 1/1996 Reynard D12/88
D368,743 S * 4/1996 Amburgey D12/108
D412,138 S * 7/1999 Triarsi D12/88
6,170,596 B1 * 1/2001 Triarsi B60K 20/06
180/291
D438,144 S * 2/2001 Hettler D12/88
D465,814 S * 11/2002 Koveleski D21/433
D471,489 S * 3/2003 Greenfield D12/88
D471,936 S * 3/2003 Tilbor D21/433
D503,952 S * 4/2005 Tung D21/433
D526,598 S * 8/2006 Singer D12/88
7,198,322 B2 * 4/2007 Savo B62D 35/005
296/180.5
D597,442 S * 8/2009 Steinhauser D12/88

DESCRIPTION

FIG. 1 is a perspective view taken from a front, left side of a kart body according to my design; FIG. 2 is a front elevation view thereof; FIG. 3 is a rear elevation view thereof; FIG. 4 is a left side elevation view thereof; FIG. 5 is a right side elevation view thereof; FIG. 6 is a top plan view thereof; and, FIG. 7 is a bottom plan view thereof. Throughout the Figures, where shown, the dashed lines are included for the purpose of illustrating portions of the kart body which form no part of the claimed design.

1 Claim, 7 Drawing Sheets



(56)

References Cited

FOREIGN PATENT DOCUMENTS

EM 003617547-0001 1/2017

OTHER PUBLICATIONS

Rotax Max Challenge Grand Finals-2015 Portugal; BRP-Rotax GmbH & Co KG; “Admitted Prior Art”; (undated); screenstots retrieved from <https://www.rotax-kart.com/fr/Community/Downloads/Pictures/Rotax-MAX-Challenge-Grand-Finals/2015-Portugal> dated Jun. 5, 2020.

Sodikart; Rental Karts—Professional Use; “Admitted Prior Art”; (undated); retrieved from <https://www.sodikart.com/en-gb/karts/rental/> dated Jun. 5, 2020.

Rimo; Electric Karts; RiMO Germany GmbH & Co. KG; “Admitted Prior Art”; (undated); retrieved from <https://en.rimo-germany.com/all-rimo-karts.html> dated Jun. 5, 2020.

Rimo; Used Vehicles; RiMO Germany GmbH & Co. KG; “Admitted Prior Art”; (undated); retrieved from <https://en-rimo-germany.com/used-karts.html> dated Jun. 5, 2020.

* cited by examiner

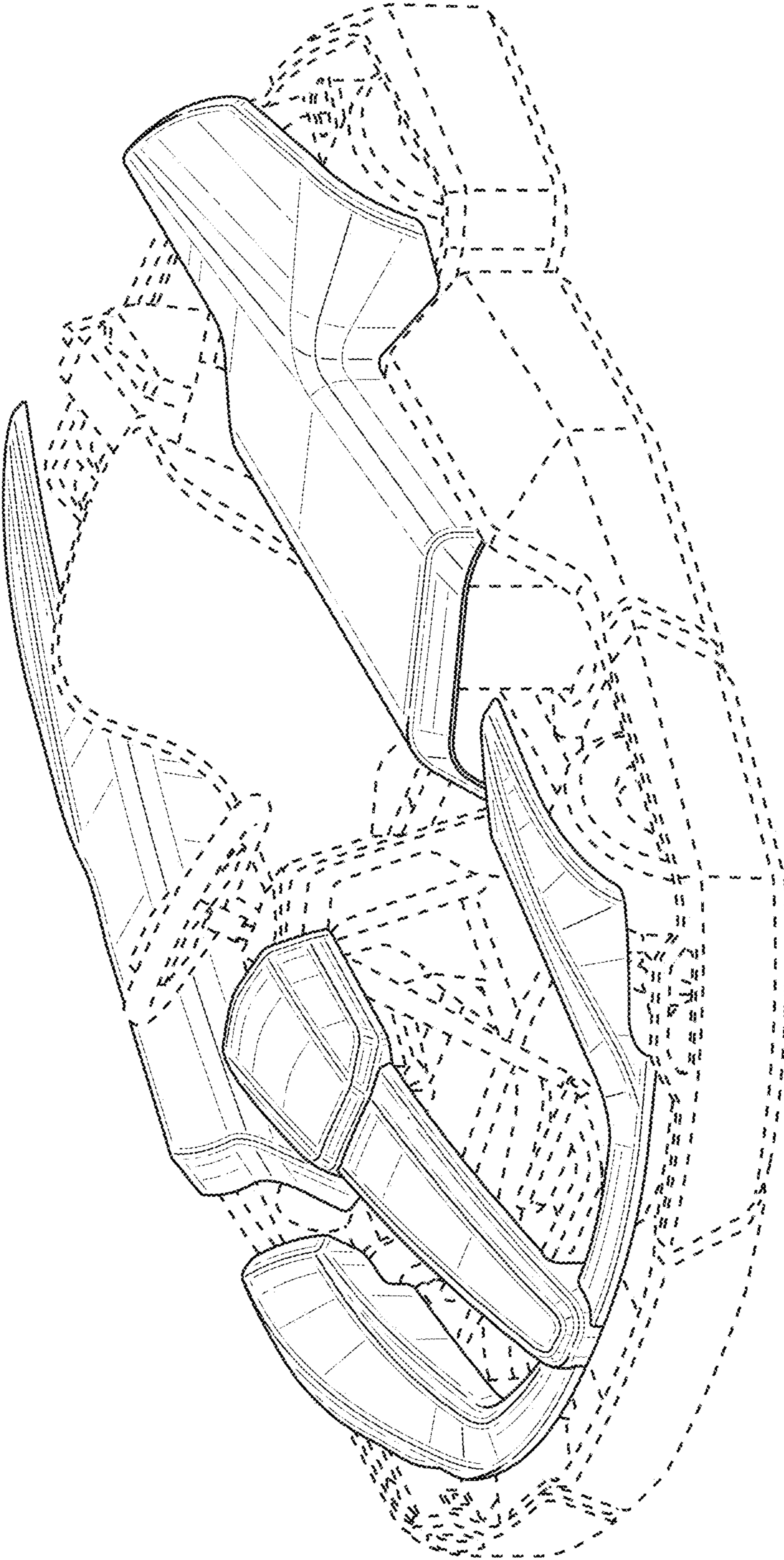


FIG. 1

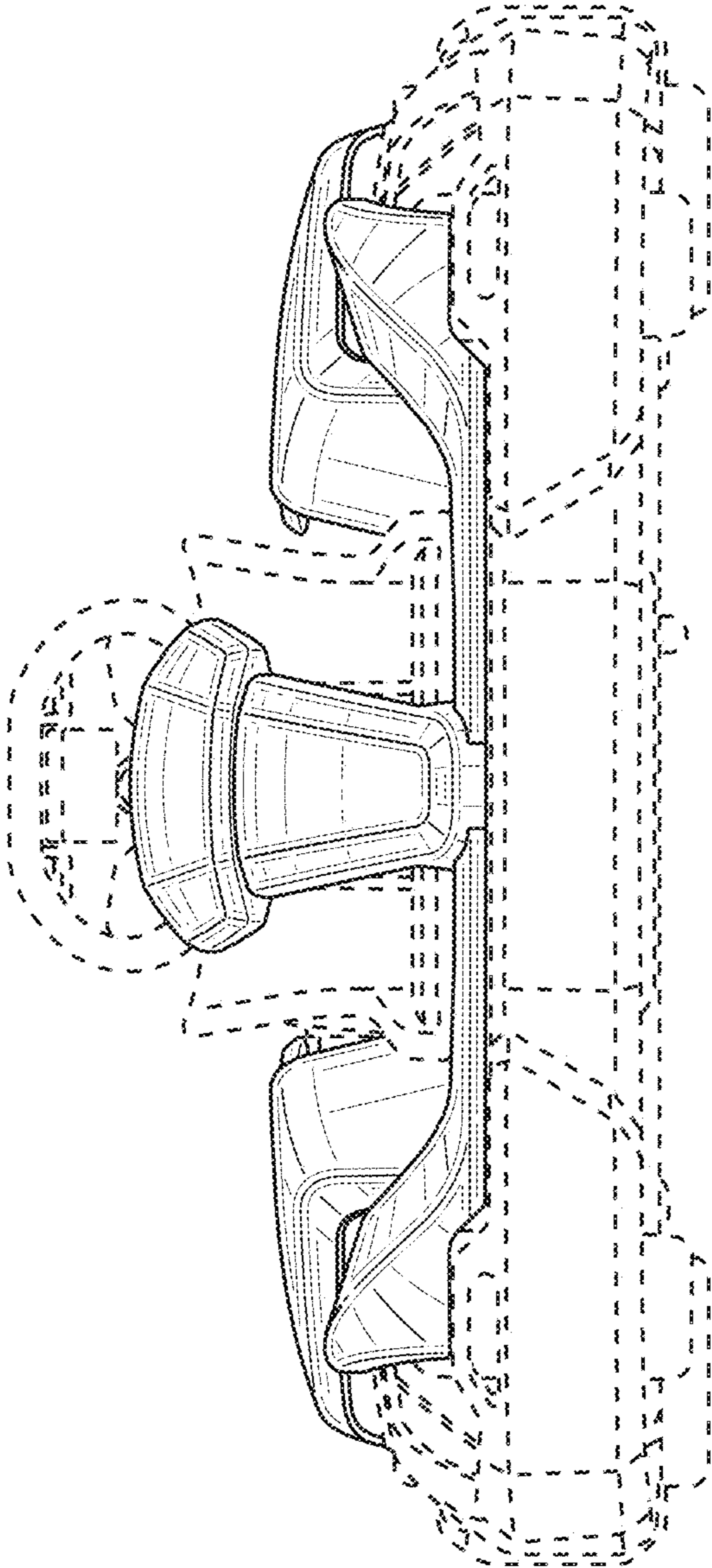


FIG. 2

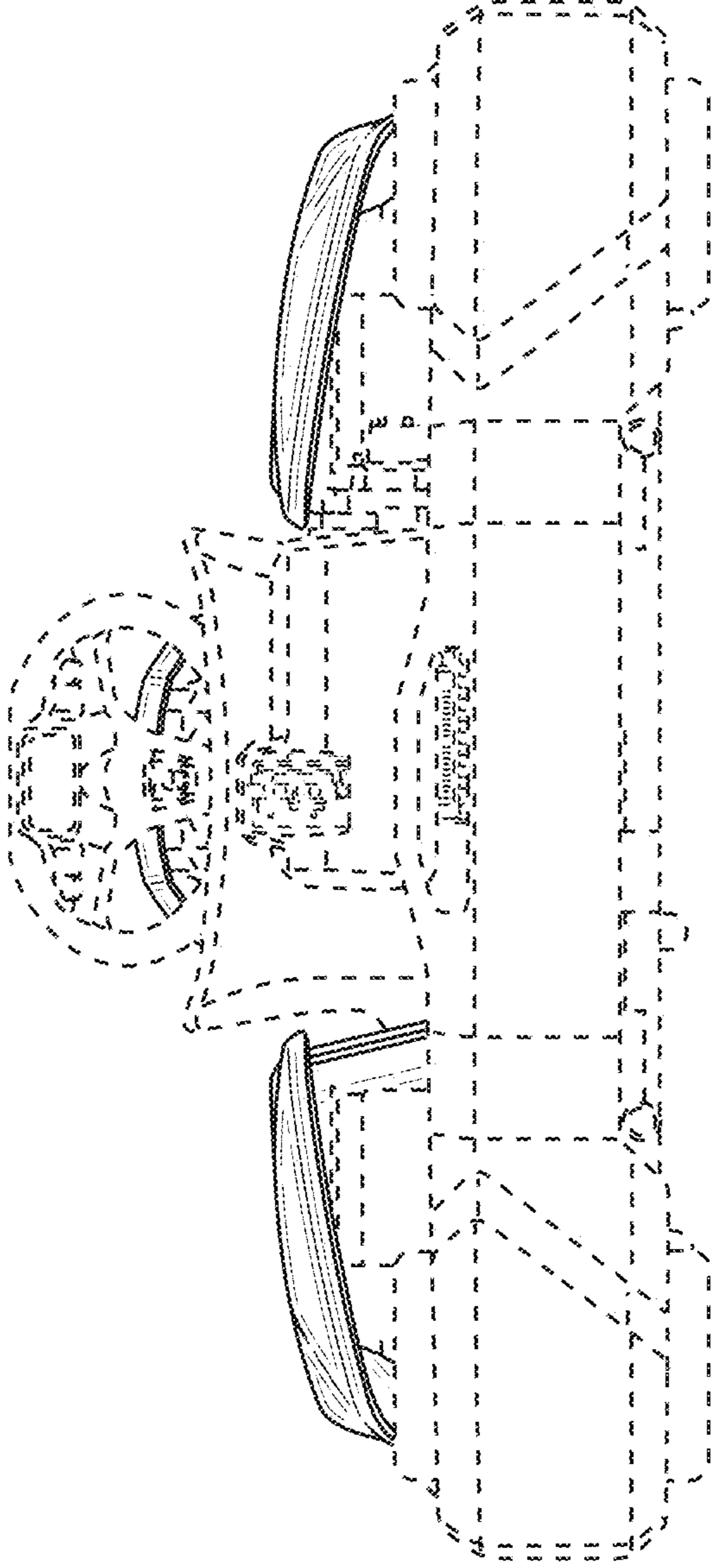


FIG. 3

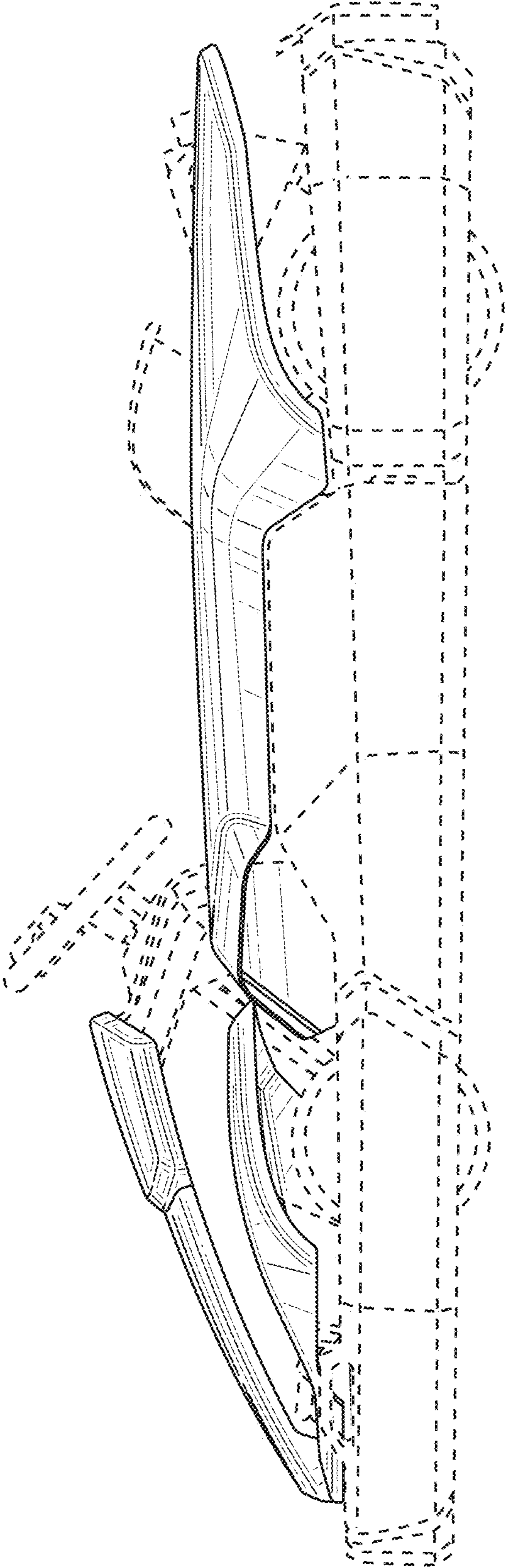


FIG. 4

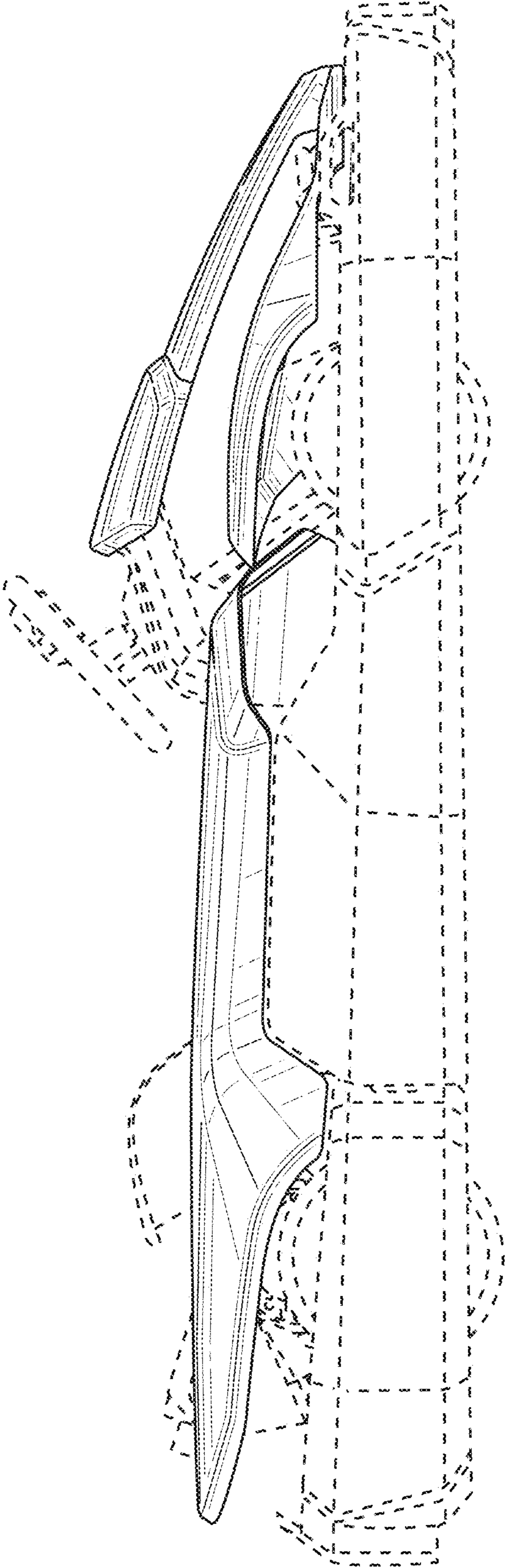


FIG. 5

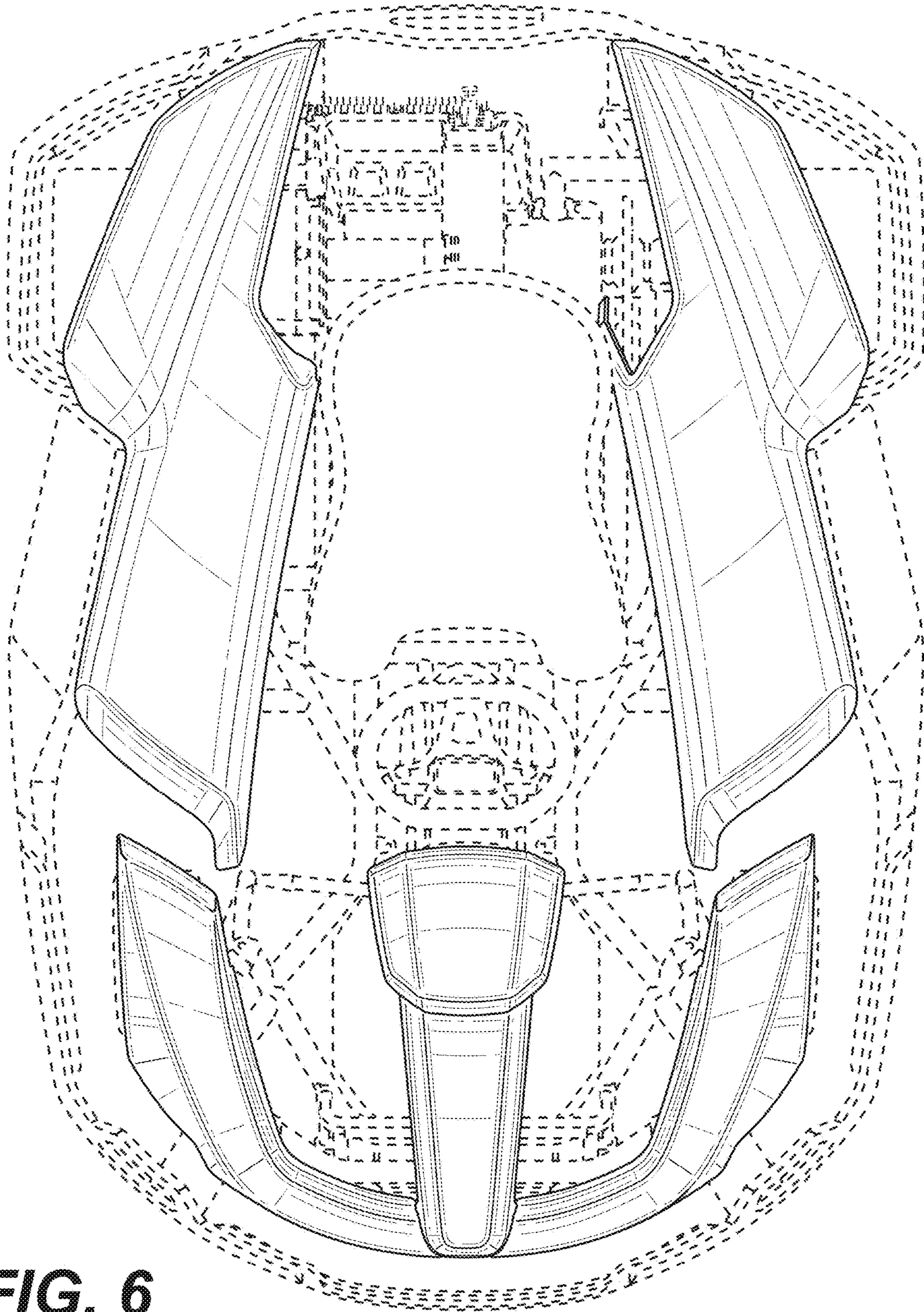


FIG. 6

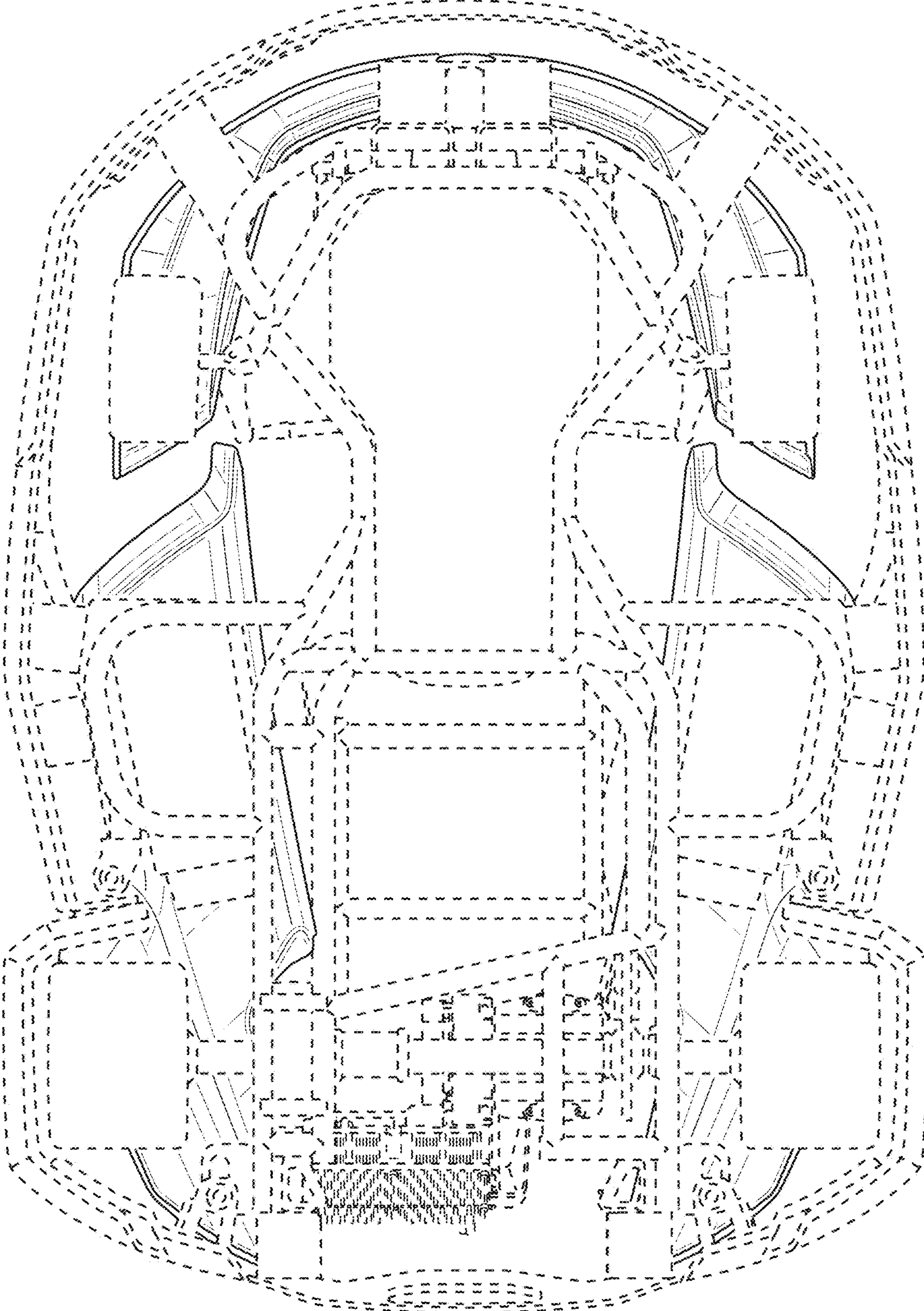


FIG. 7