



US00D903773S

(12) **United States Design Patent**
Zemskov

(10) **Patent No.:** **US D903,773 S**
(45) **Date of Patent:** **** Dec. 1, 2020**

(54) **RIDE ON VEHICLE**

(71) Applicant: **RADIO FLYER INC.**, Chicago, IL (US)

(72) Inventor: **Igor Zemskov**, Chicago, IL (US)

(73) Assignee: **Radio Flyer Inc.**, Chicago, IL (US)

(**) Term: **15 Years**

(21) Appl. No.: **29/690,567**

(22) Filed: **May 9, 2019**

(51) **LOC (12) Cl.** **21-01**

(52) **U.S. Cl.**
USPC **D21/426**

(58) **Field of Classification Search**
USPC D21/419-435; D12/1, 107, 112, 87
CPC B62D 21/183; B60G 2300/26; B60G 2200/144; B60Y 2200/114
See application file for complete search history.

(56) **References Cited**

U.S. PATENT DOCUMENTS

D190,114 S *	4/1961	Freber	D12/88
3,511,518 A *	5/1970	Freber	B60B 25/04
				280/80.1
3,533,484 A *	10/1970	Wood, Jr.	B62M 6/65
				180/206.4
4,896,899 A *	1/1990	Lawrence	B60B 5/02
				152/409
5,265,690 A *	11/1993	Amundsen	B62D 21/183
				180/311
D512,467 S *	12/2005	Hadley	D21/424
D771,196 S *	11/2016	Chen	D21/424
D793,480 S *	8/2017	Chen	D21/424
D854,458 S *	7/2019	Kermani	D12/112

OTHER PUBLICATIONS

<https://www.bergtoys.com/us/pedal-karts/buzzy/>; Date: at least as early as May 9, 2019.

<https://www.hauck-toys.com/en/outdoor/pedal-cars/lightning/>; Date: at least as early as May 9, 2019.

<https://www.hauck-toys.com/en/outdoor/pedal-cars/turbo/>; Date: at least as early as May 9, 2019.

* cited by examiner

Primary Examiner — Cynthia M. Chin
(74) *Attorney, Agent, or Firm* — Barnes & Thornburg LLP

(57) **CLAIM**

I claim the ornamental design for a ride on vehicle, as shown and described.

DESCRIPTION

FIG. 1 is a top perspective view of the ride on vehicle according to the new design.

FIG. 2 is a bottom perspective view of the ride on vehicle shown in FIG. 1.

FIG. 3 is a front elevation view of the ride on vehicle shown in FIG. 1.

FIG. 4 is a rear elevation view of the ride on vehicle shown in FIG. 1.

FIG. 5 is a left side elevation view of the ride on vehicle shown in FIG. 1.

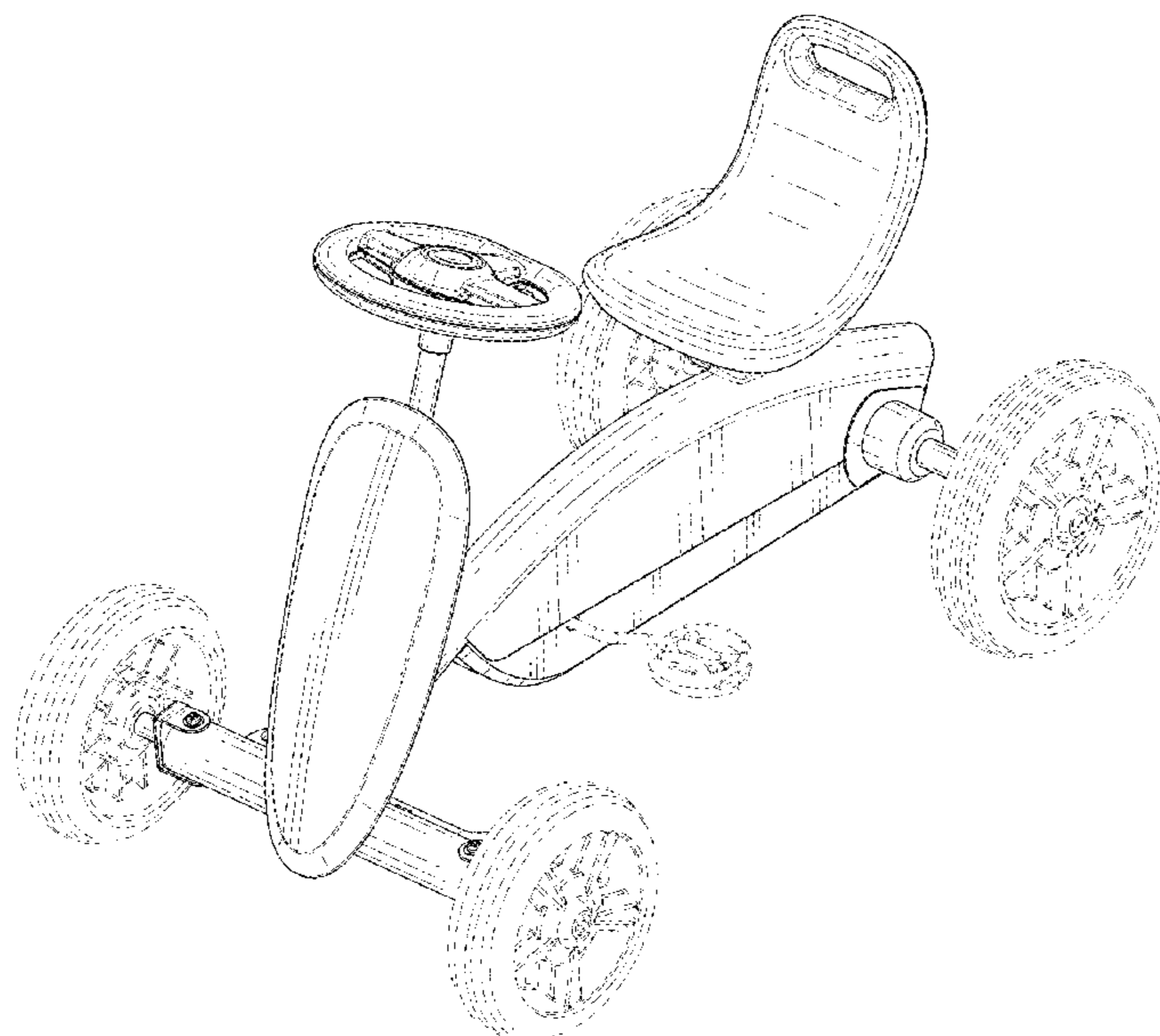
FIG. 6 is a right side elevation view of the ride on vehicle shown in FIG. 1.

FIG. 7 is a top plan view of the ride on vehicle shown in FIG. 1; and,

FIG. 8 is a bottom plan view of the ride on vehicle shown in FIG. 1.

The broken lines in the drawings illustrate portions of the ride on vehicle that form no part of the claimed design.

1 Claim, 8 Drawing Sheets



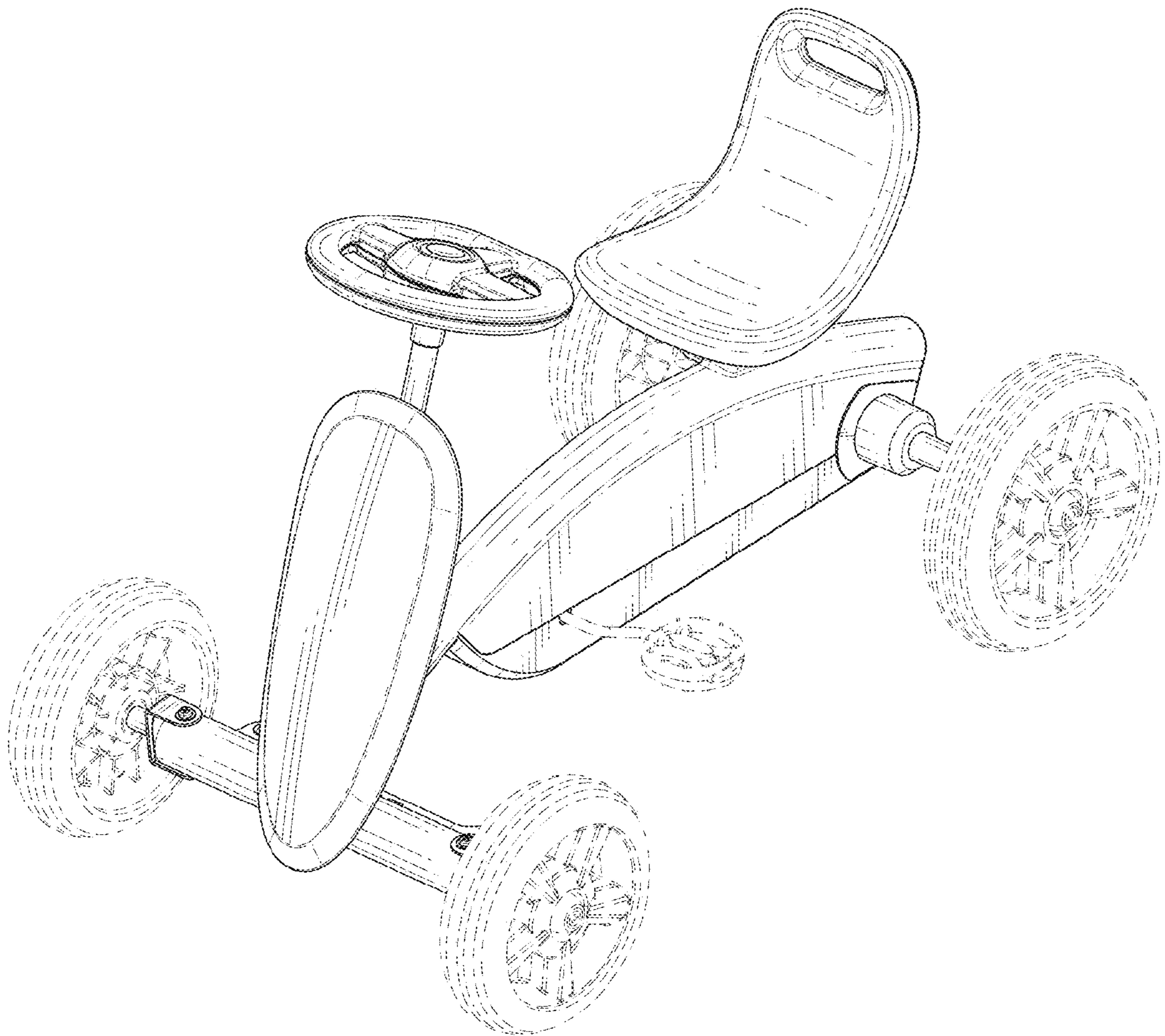


FIG. 1

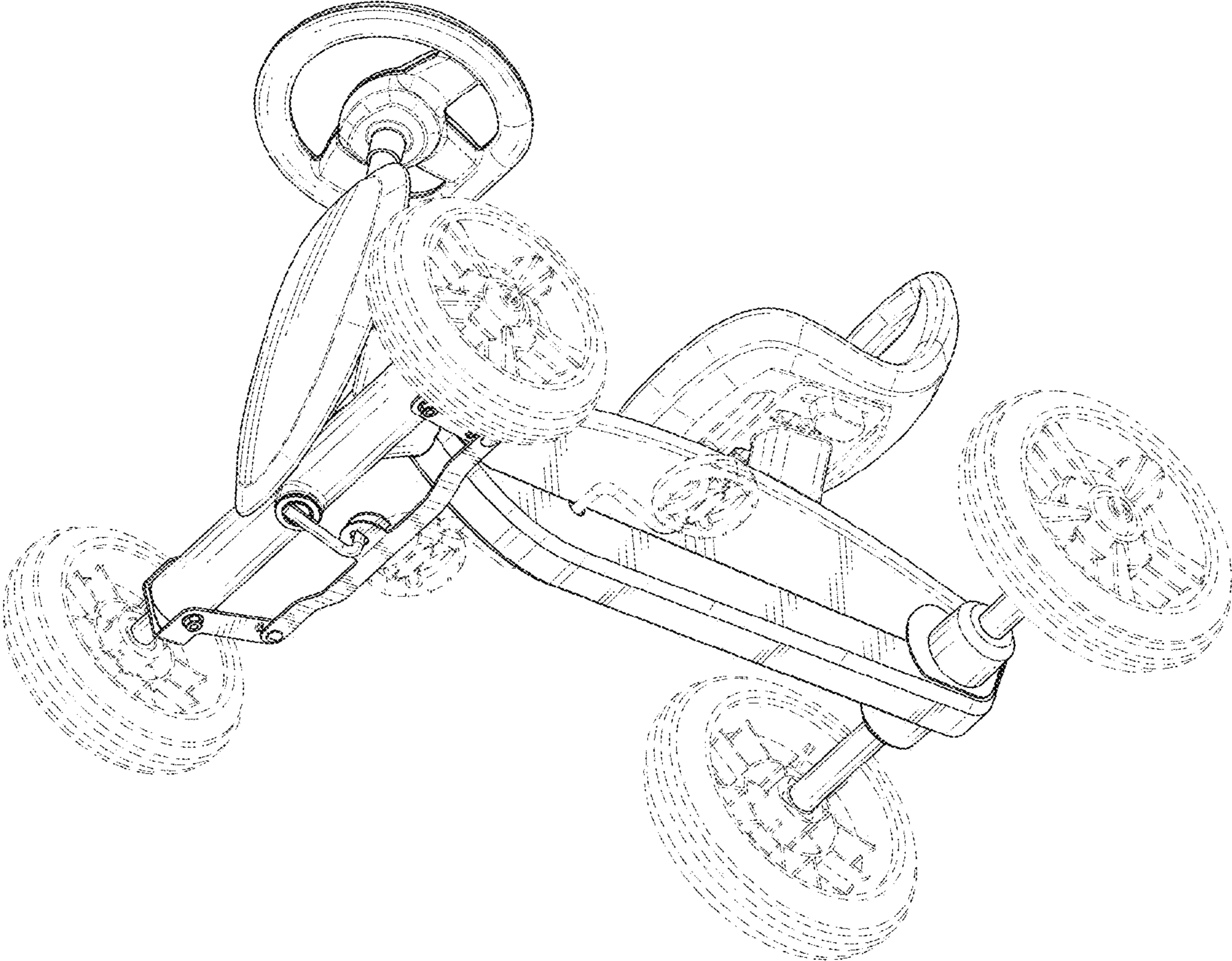


FIG. 2

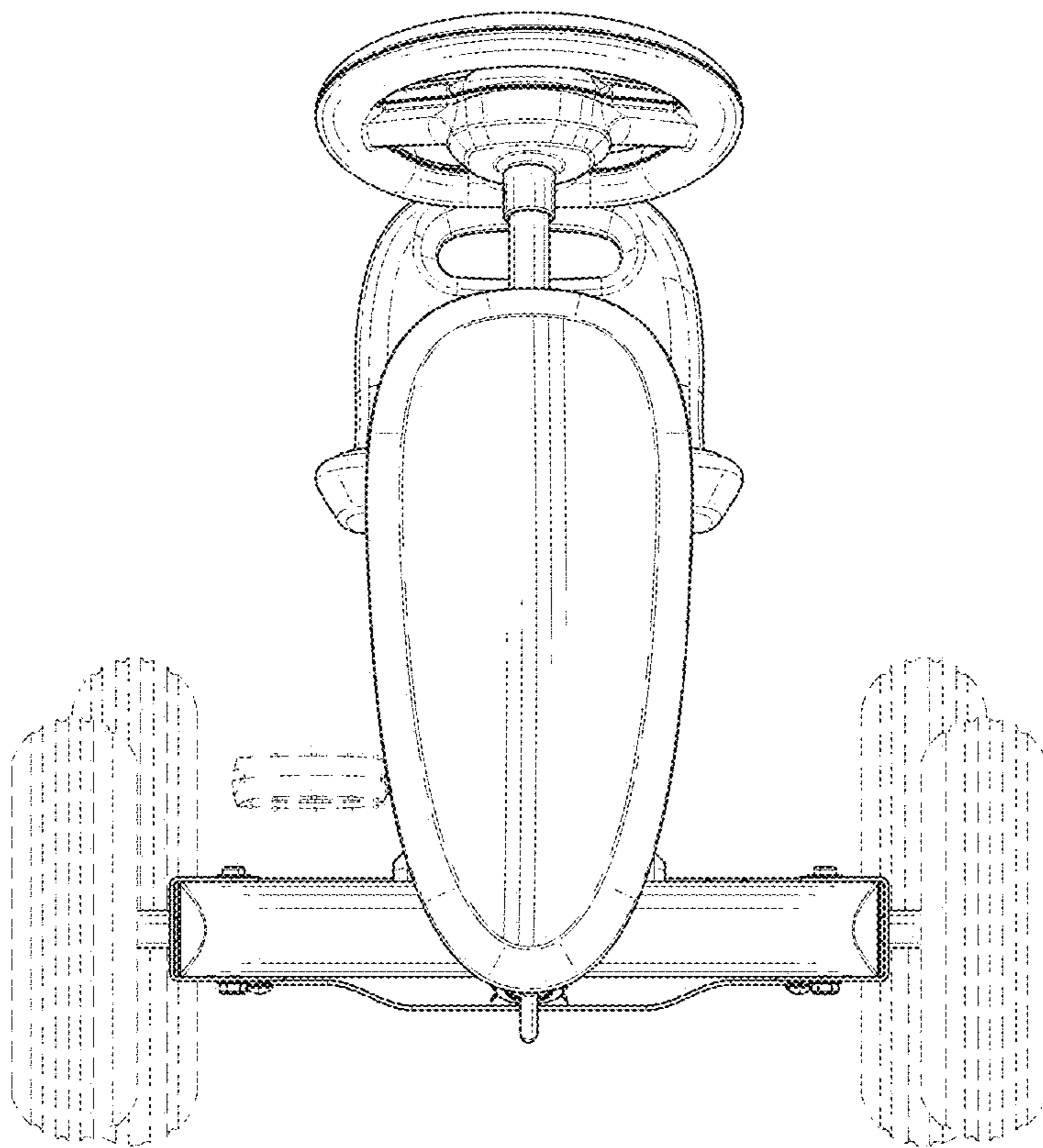


FIG. 3

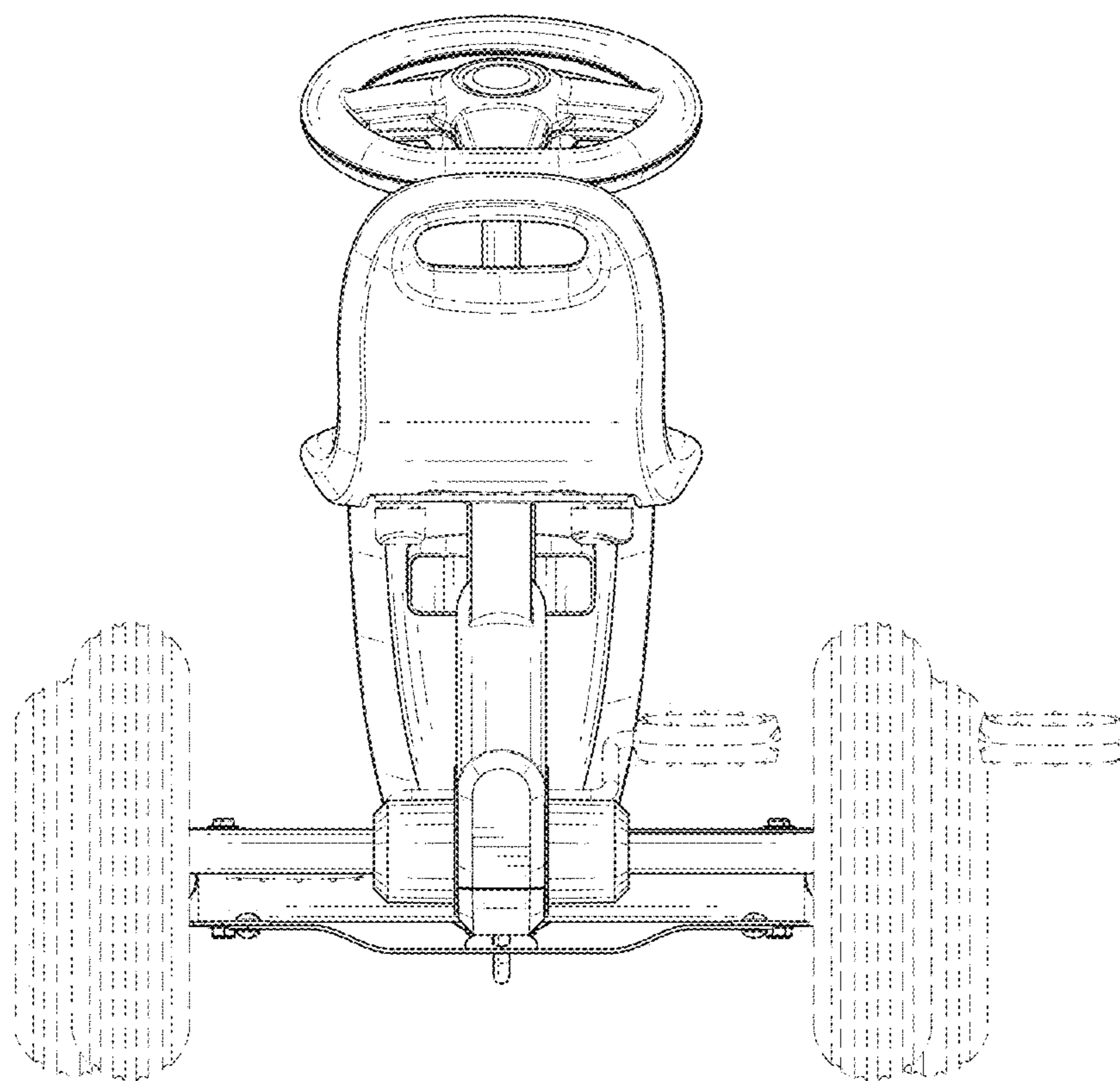


FIG. 4

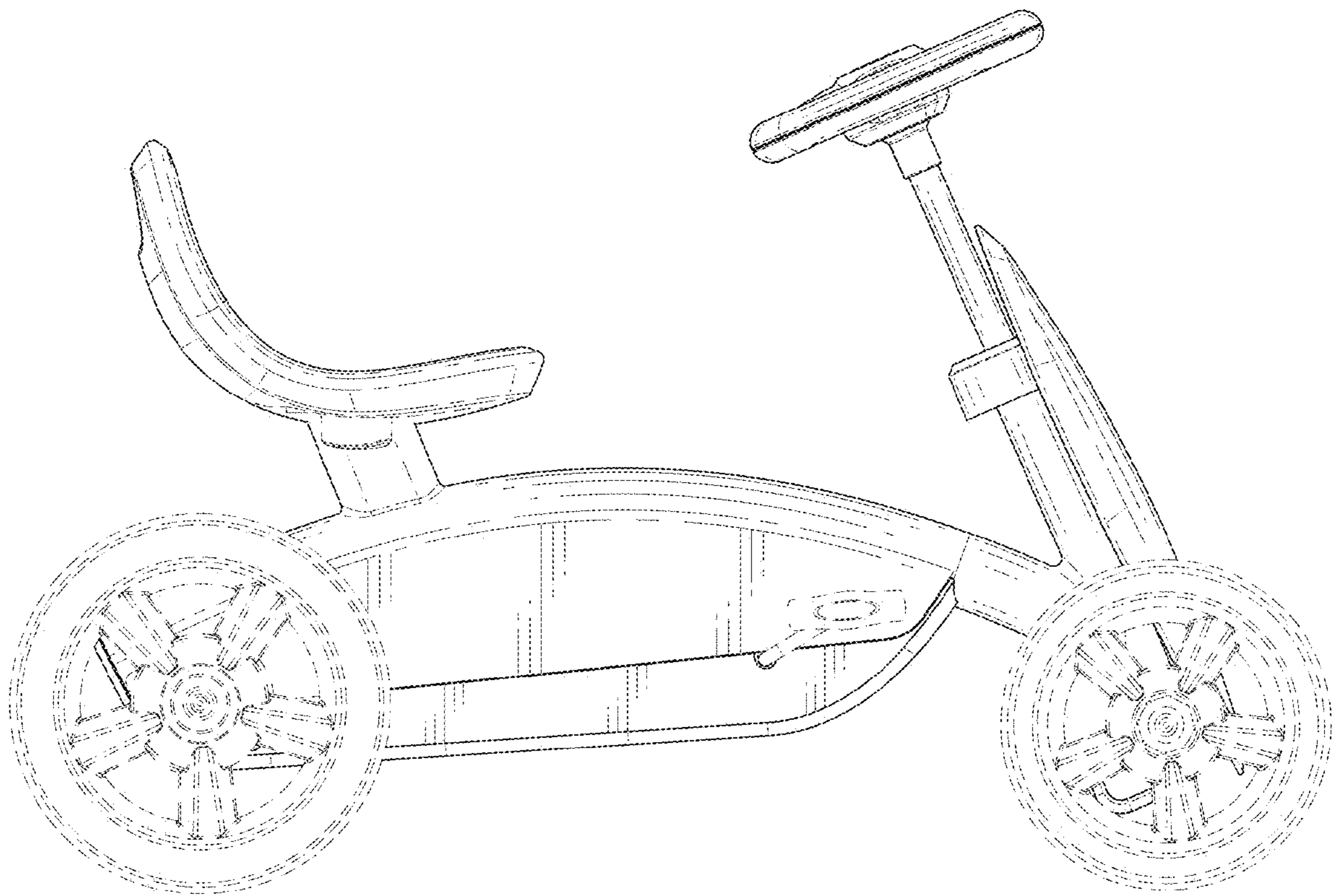


FIG. 5

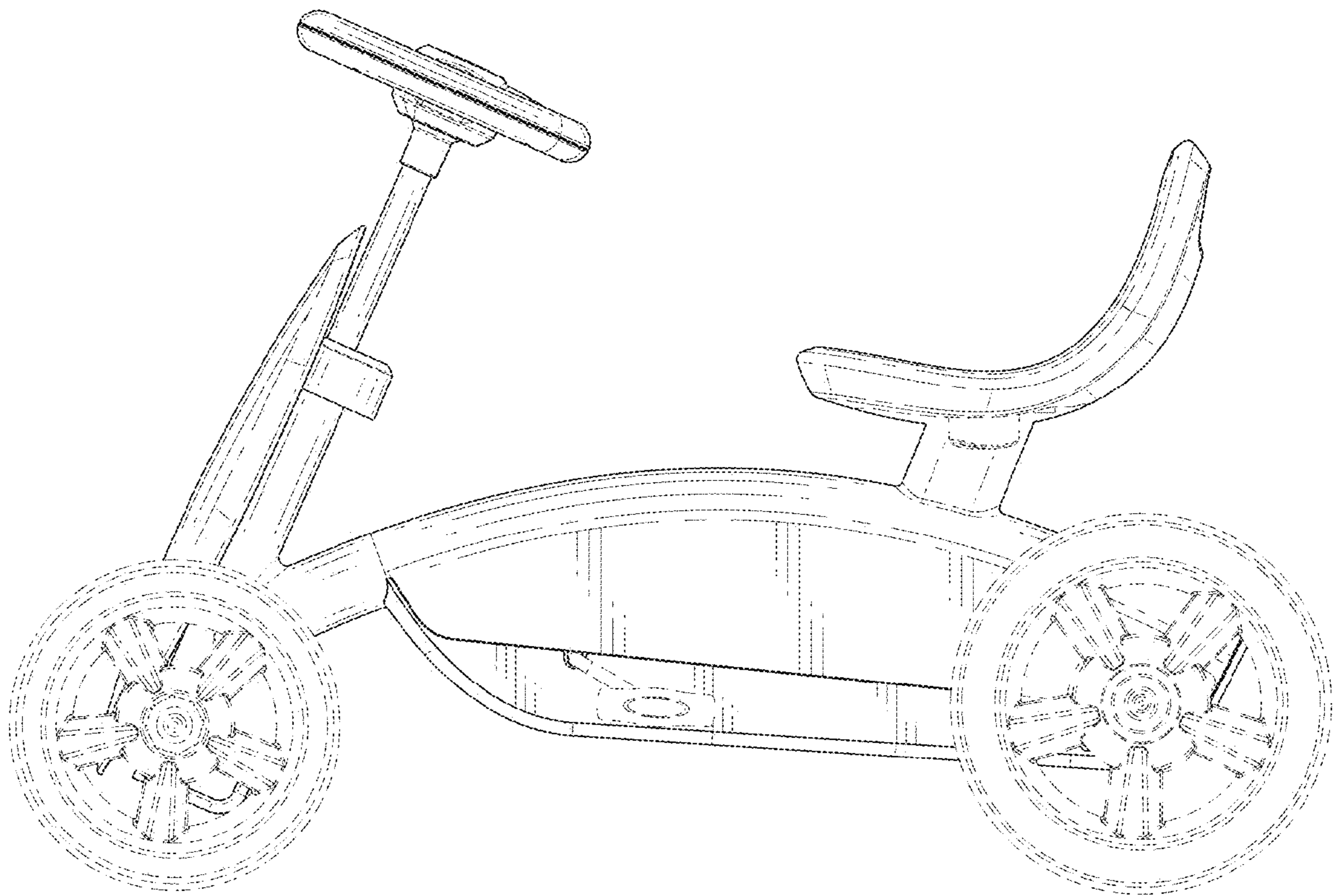


FIG. 6

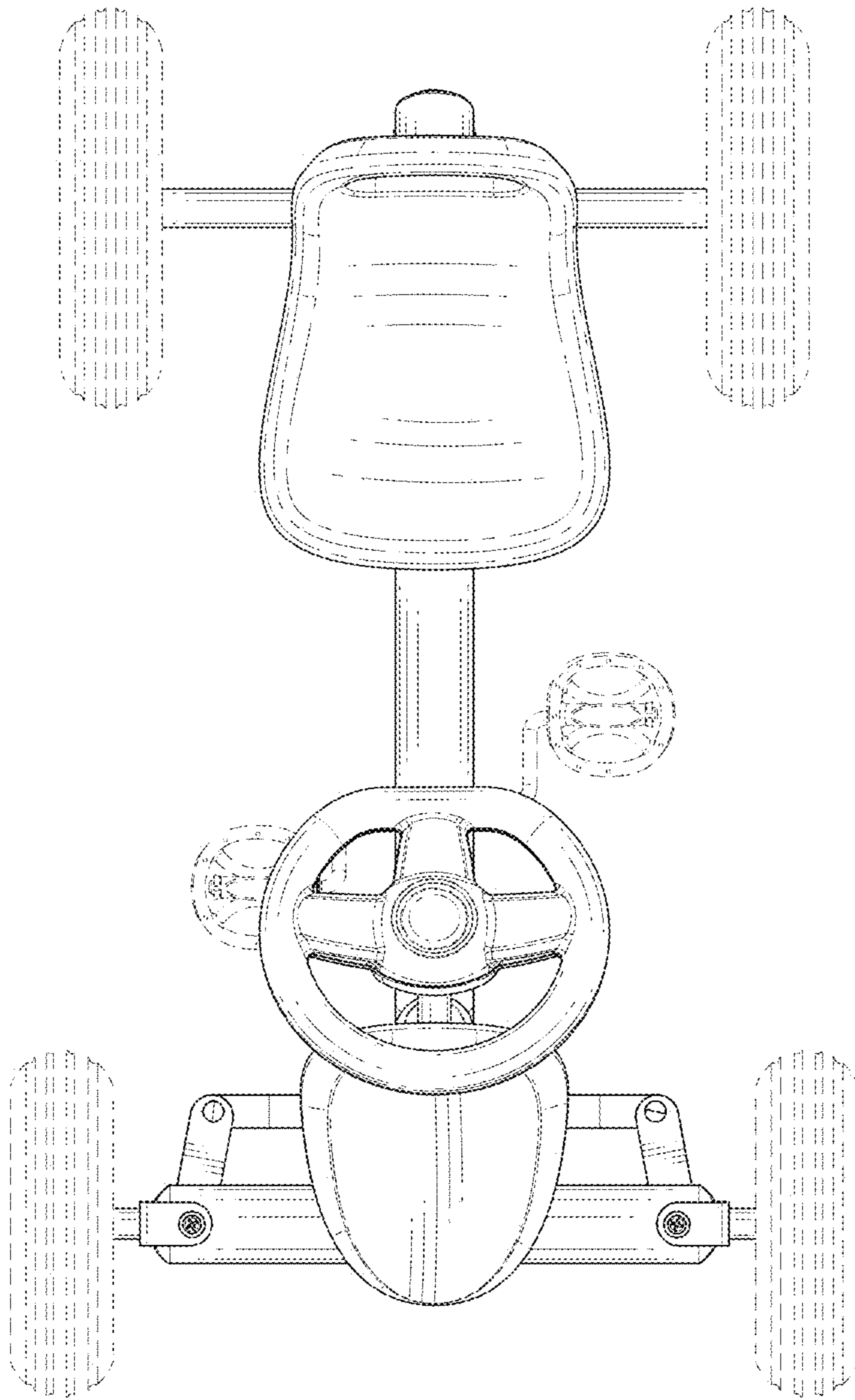


FIG. 7

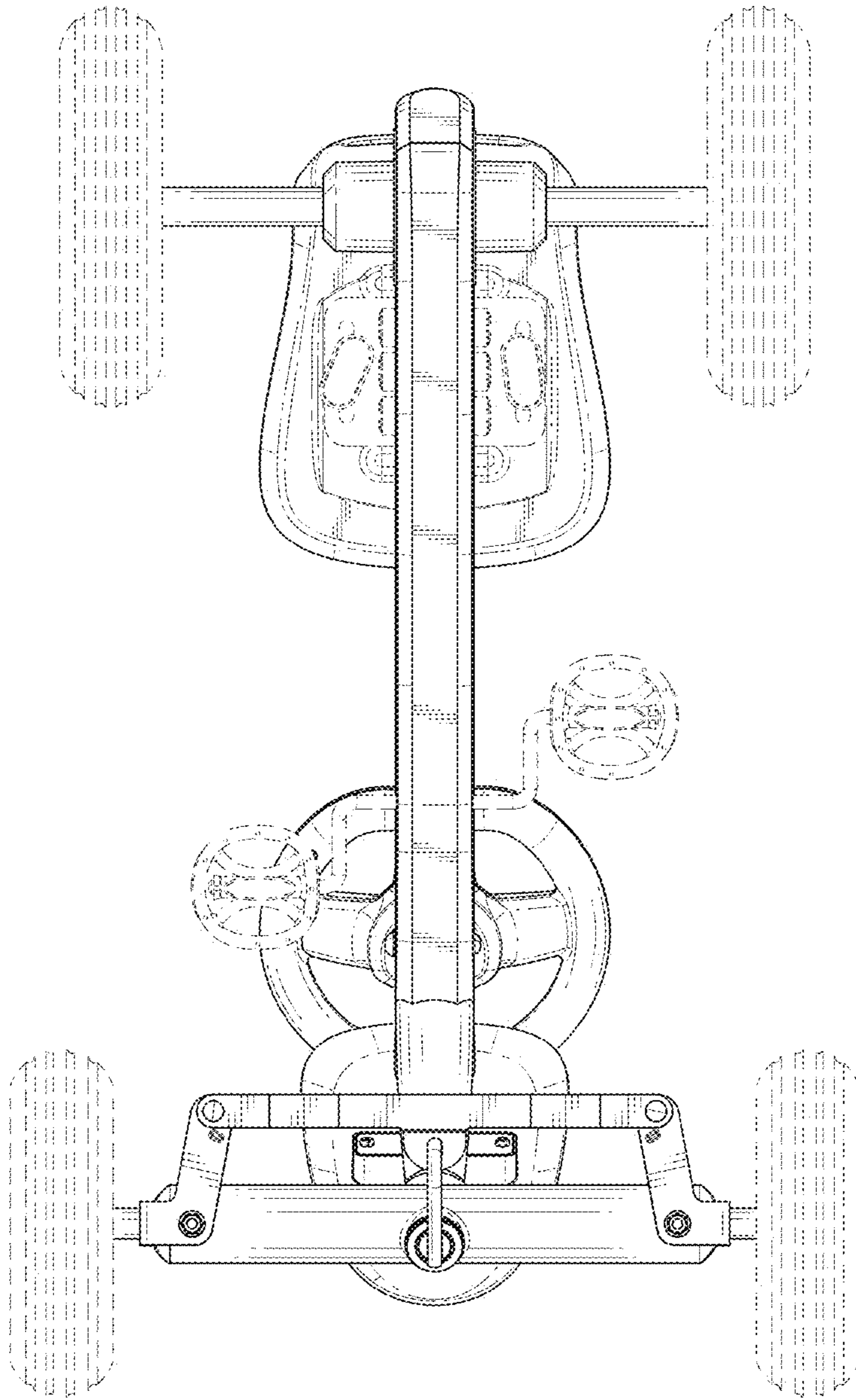


FIG. 8