



US00D903772S

(12) **United States Design Patent** (10) **Patent No.:** **US D903,772 S**
Porter (45) **Date of Patent:** **** *Dec. 1, 2020**

(54) **MAGNETIC SUSPENSION TOY**
(71) Applicant: **Stephen C. Porter**, Chandler, AZ (US)
(72) Inventor: **Stephen C. Porter**, Chandler, AZ (US)
(*) Notice: This patent is subject to a terminal disclaimer.
(**) Term: **15 Years**
(21) Appl. No.: **29/677,349**
(22) Filed: **Jan. 18, 2019**
(51) **LOC (12) Cl.** **21-01**
(52) **U.S. Cl.**
USPC **D21/404**
(58) **Field of Classification Search**
USPC D21/398, 404, 468; D11/131, 141;
D19/59, 62, 64, 95, 96; D99/99;
446/129, 131, 132, 133, 134, 135, 137,
446/138; 434/301, 393; 273/239, 448,
273/456
CPC A63H 33/046; A63H 33/26; A63F
2003/00927; A63F 2003/0093; A63F
9/34; A63F 2009/0035; H02N 15/00
See application file for complete search history.

D259,581 S * 6/1981 Kretschmer D11/141
4,568,301 A * 2/1986 Hawley, Jr. A63H 33/26
446/134
D292,932 S * 11/1987 McGinley 434/272
4,753,623 A * 6/1988 Krut A63H 33/26
335/306
5,052,968 A 10/1991 Lodrick, Sr.
5,085,434 A * 2/1992 Soto, II A63F 9/34
273/138.2
D342,041 S * 12/1993 Brennan D11/131
D345,322 S * 3/1994 Menefee D11/131
D352,742 S * 11/1994 Koch D21/341
5,463,826 A * 11/1995 Horiuchi A63H 33/26
40/426
5,506,459 A * 4/1996 Ritts A63H 1/00
310/90.5
6,413,138 B1 7/2002 Dokoupil
6,739,938 B2 5/2004 Dokoupil
8,107,076 B1 1/2012 Saha
9,276,505 B2 3/2016 Belisle
9,707,859 B2 7/2017 Melvin et al.
D819,143 S * 5/2018 Lyon D21/398

(Continued)

Primary Examiner — Catherine A Tuttle
(74) *Attorney, Agent, or Firm* — Mark V. Loen

(57) **CLAIM**

The ornamental design for a magnetic suspension toy, as shown and described.

DESCRIPTION

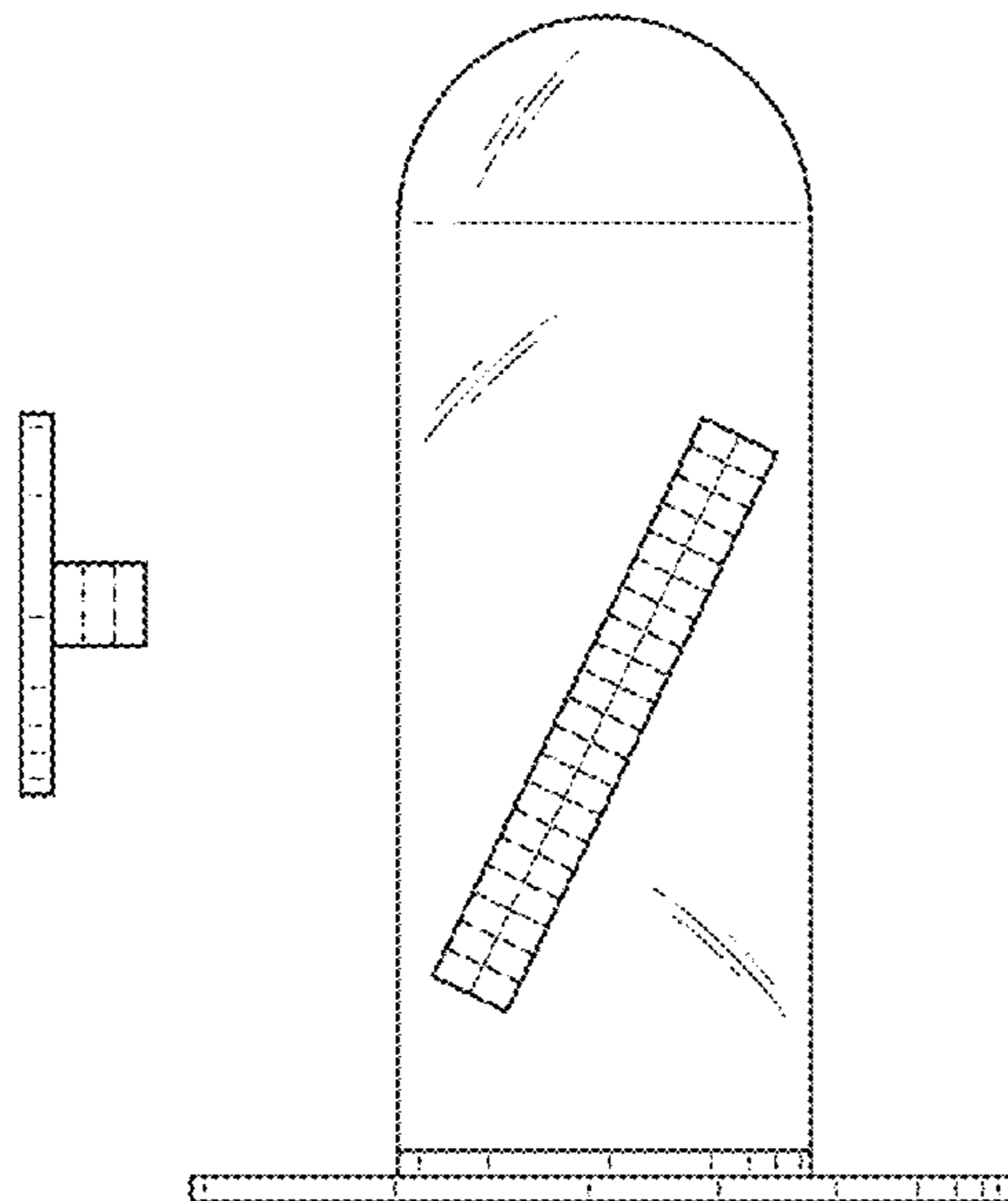
FIG. 1 is a front view of the magnetic suspension toy showing my new;
FIG. 2 is a right side view thereof;
FIG. 3 is a left side view thereof;
FIG. 4 is a top view thereof;
FIG. 5 is a bottom view thereof; and,
FIG. 6 is an isometric view thereof.
The features drawn in broken lines shown in FIGS. 1-6 represent subdivisions between stacked magnets that form no part of the claimed design.

1 Claim, 6 Drawing Sheets

(56) **References Cited**

U.S. PATENT DOCUMENTS

464,611 A * 12/1891 Goodson A63H 33/26
446/131
468,274 A * 2/1892 Goodson A63H 33/26
446/139
1,595,801 A * 8/1926 McDonald A63H 23/08
446/134
2,648,157 A * 8/1953 Wilson A63H 33/26
446/134
3,010,224 A * 11/1961 Roberts G09F 11/23
434/140
D237,431 S * 11/1975 Dean D6/661.3



(56)

References Cited

U.S. PATENT DOCUMENTS

10,398,994	B1 *	9/2019	Cumings	A63H 33/26
2008/0200092	A1 *	8/2008	Chung	A63H 33/26
				446/131
2009/0275259	A1 *	11/2009	Yu	G09F 19/02
				446/129

* cited by examiner

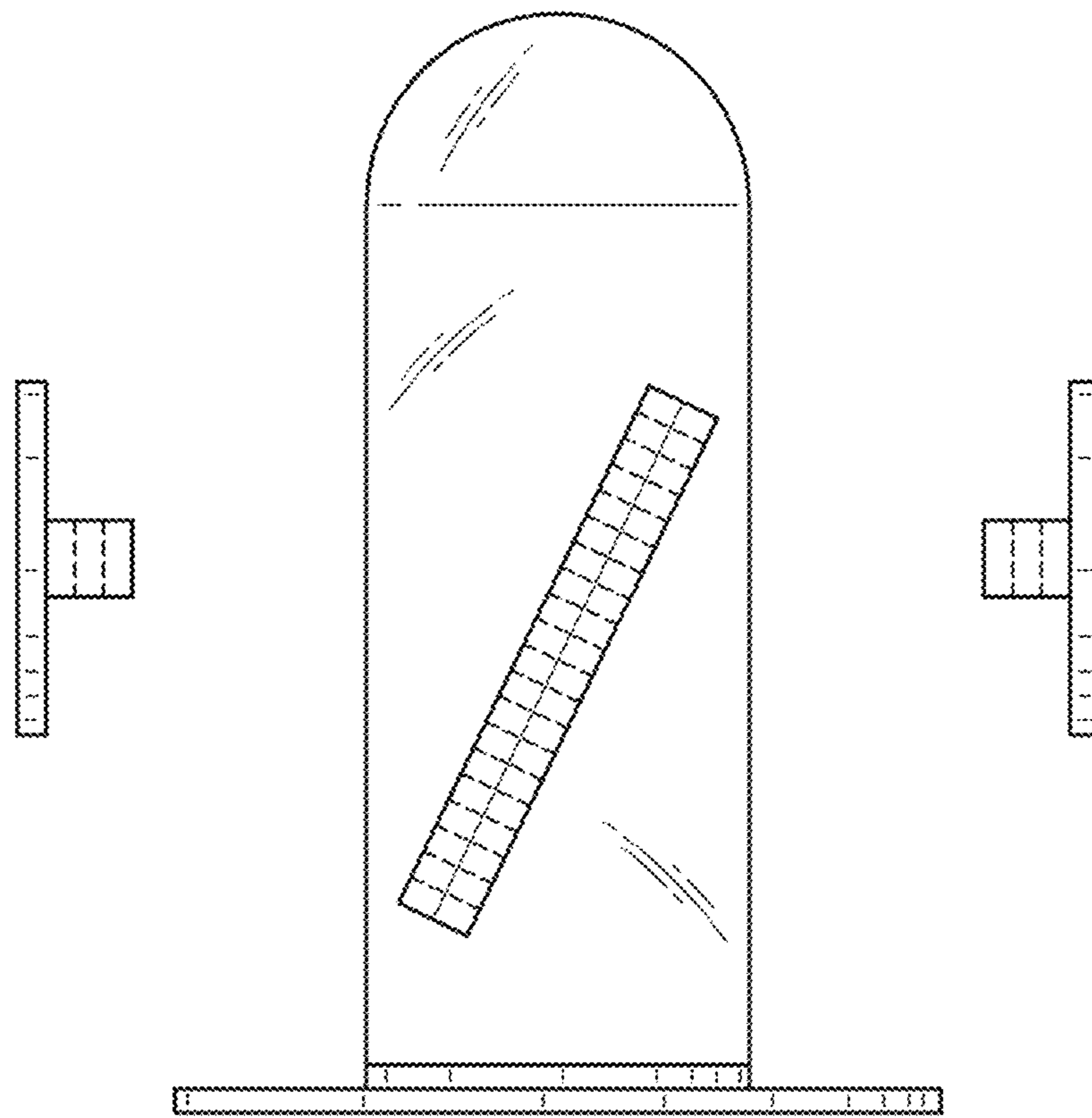


Fig. 1

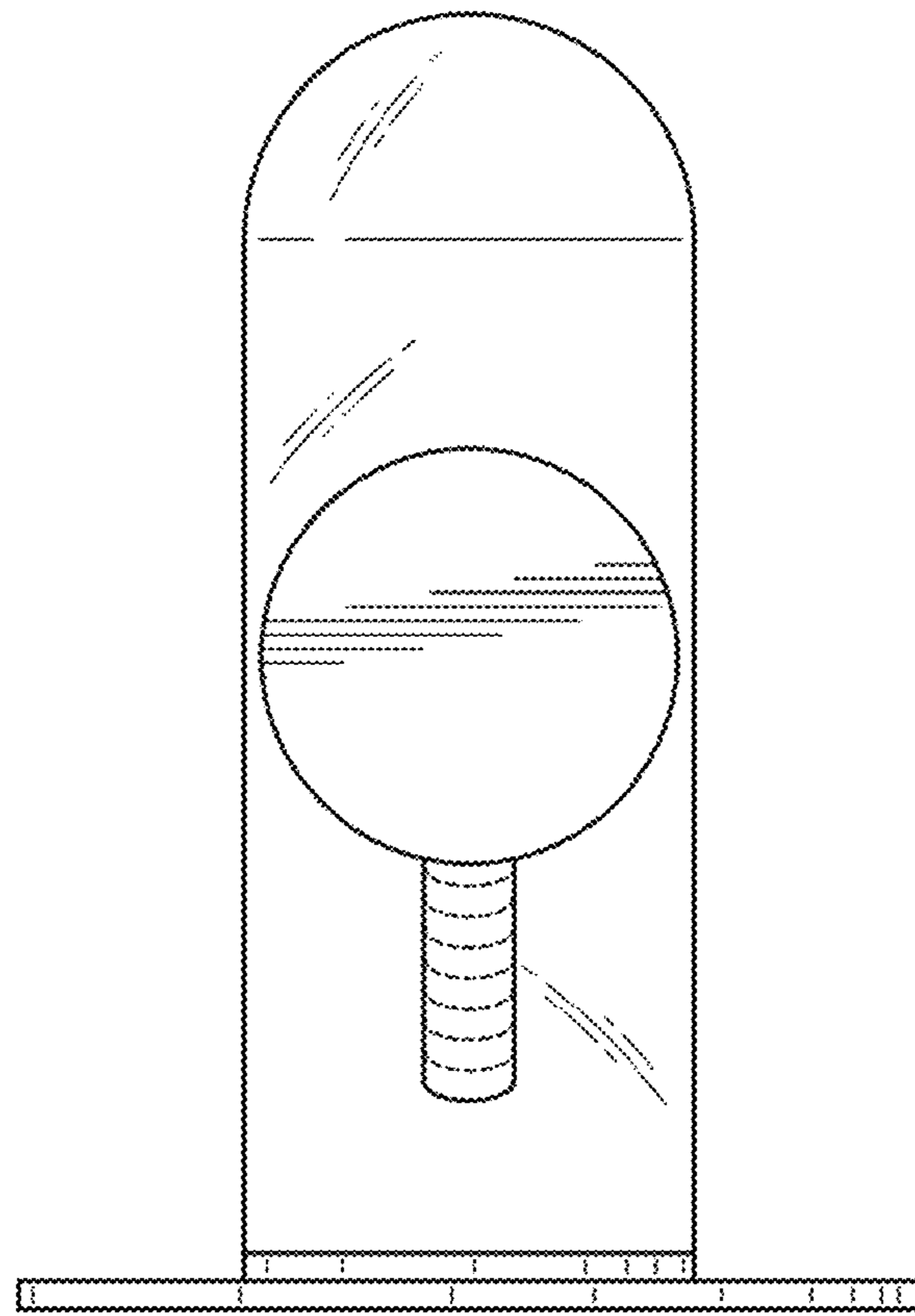


Fig. 2

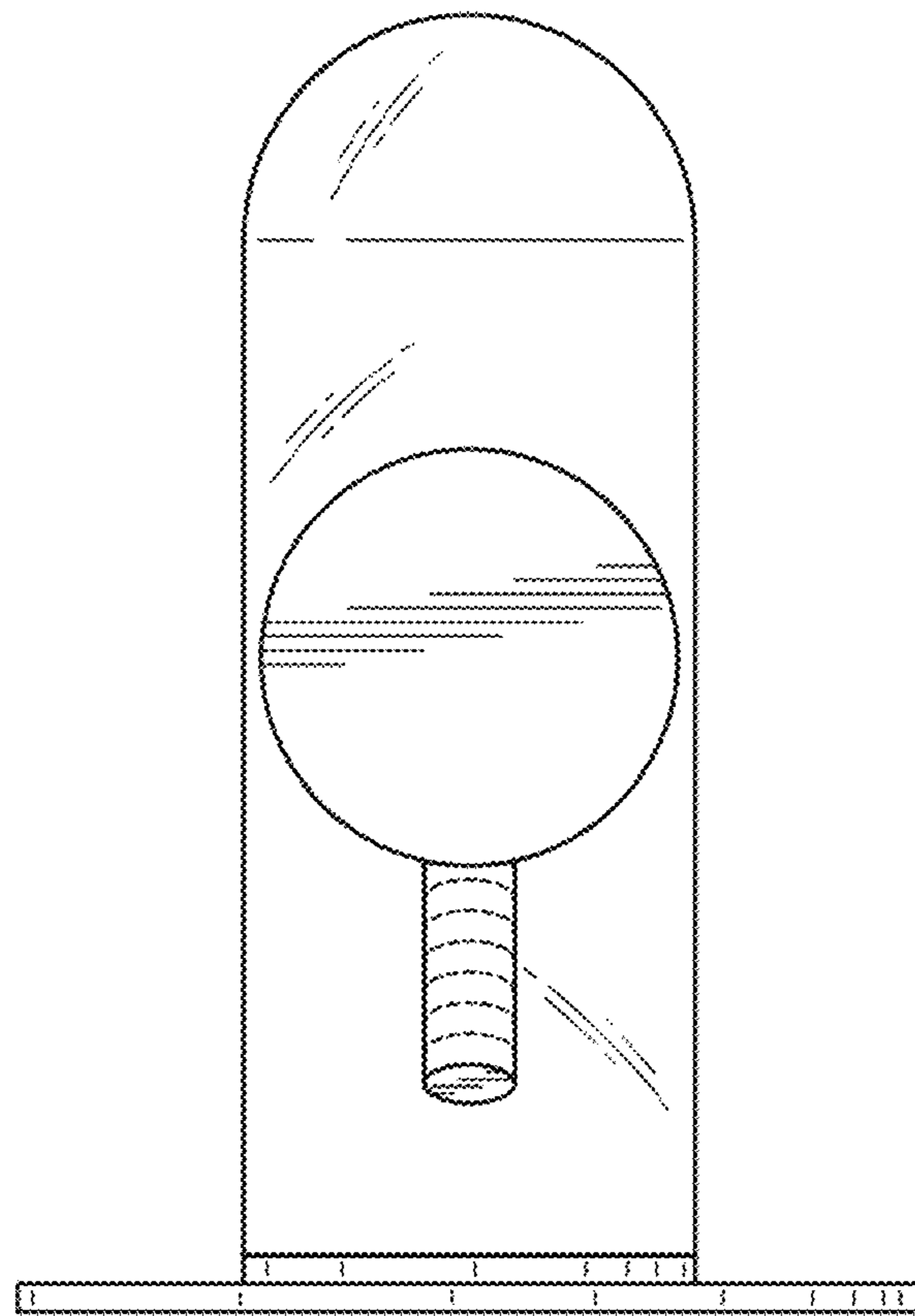


Fig. 3

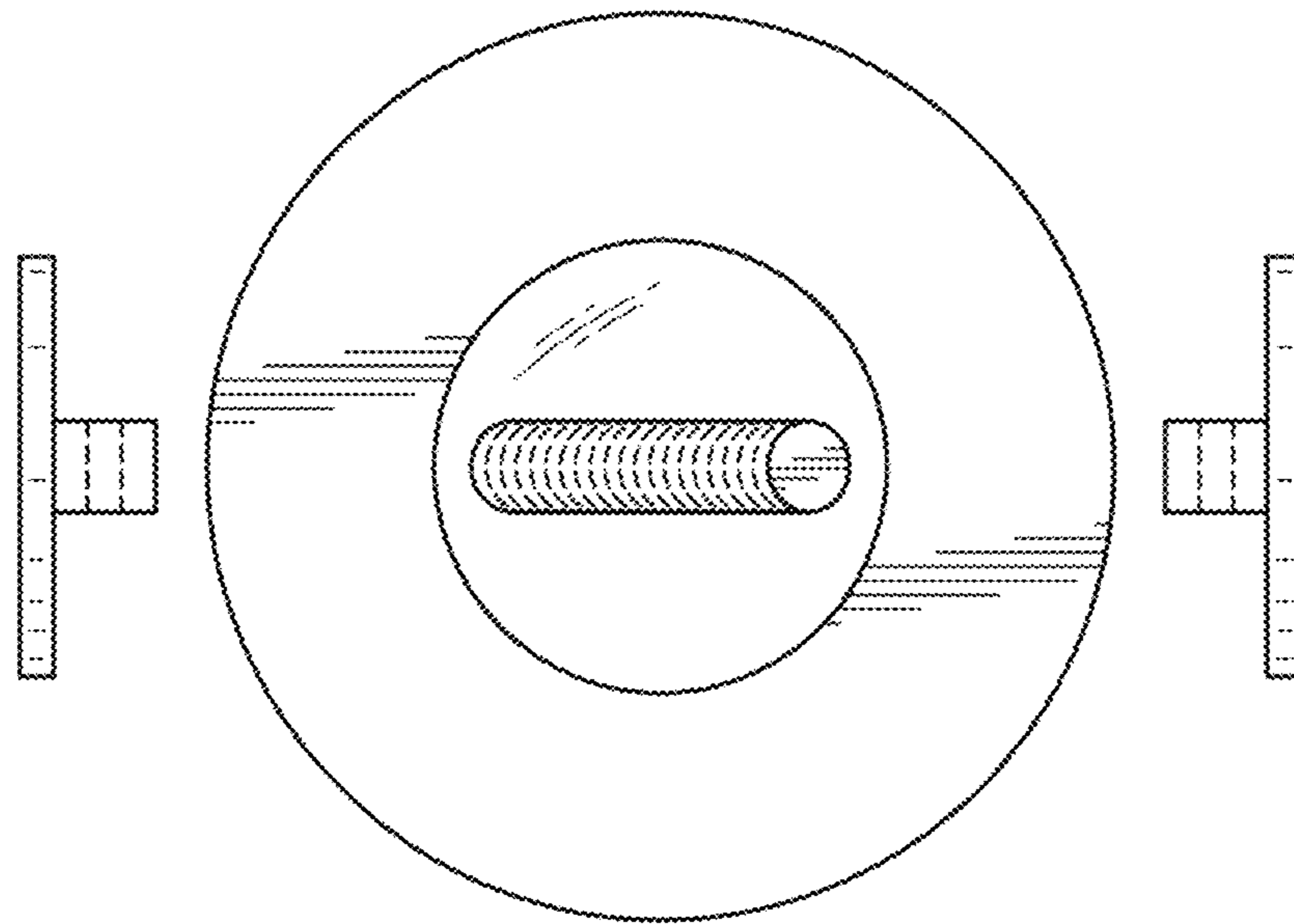


Fig. 4

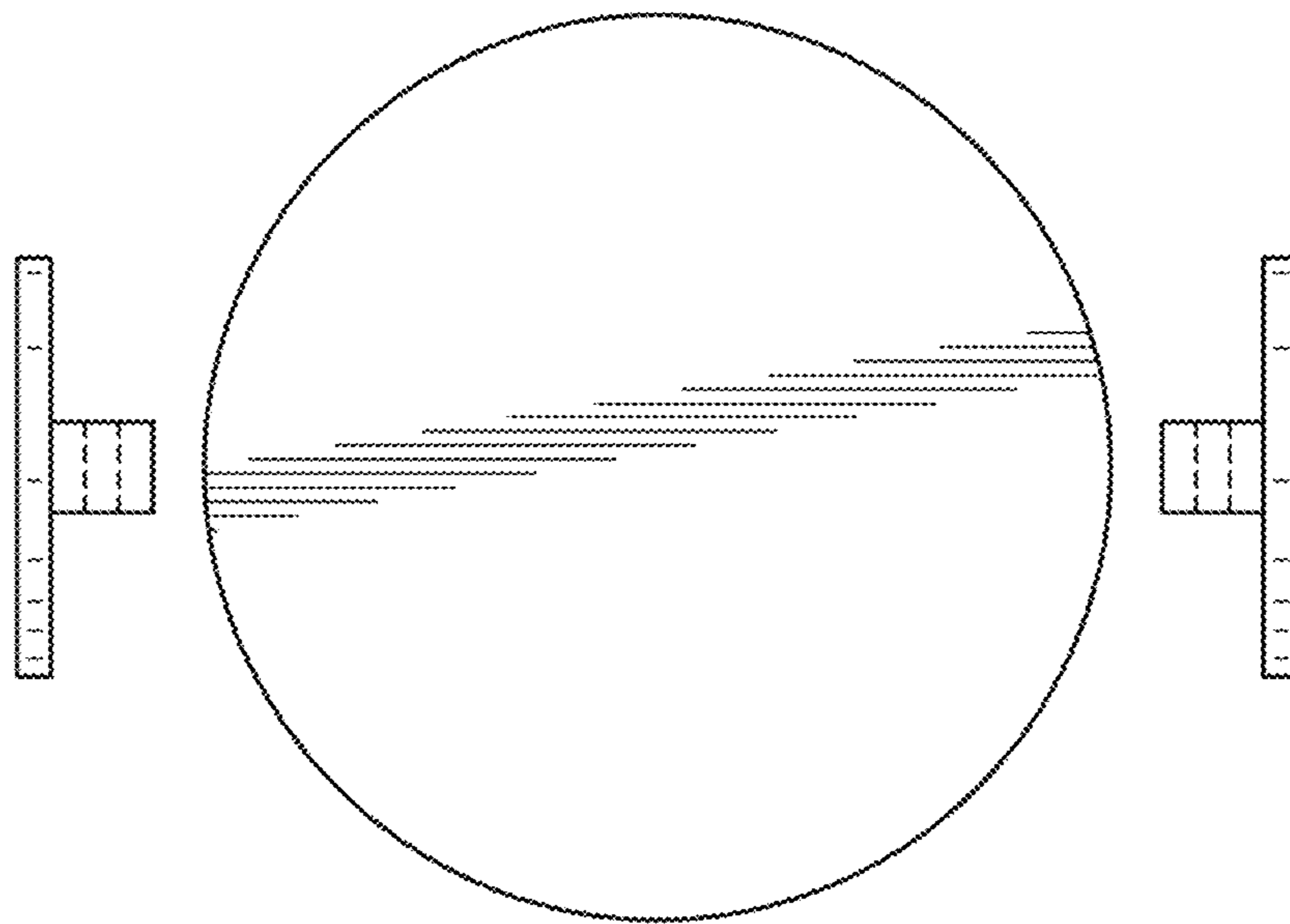


Fig. 5

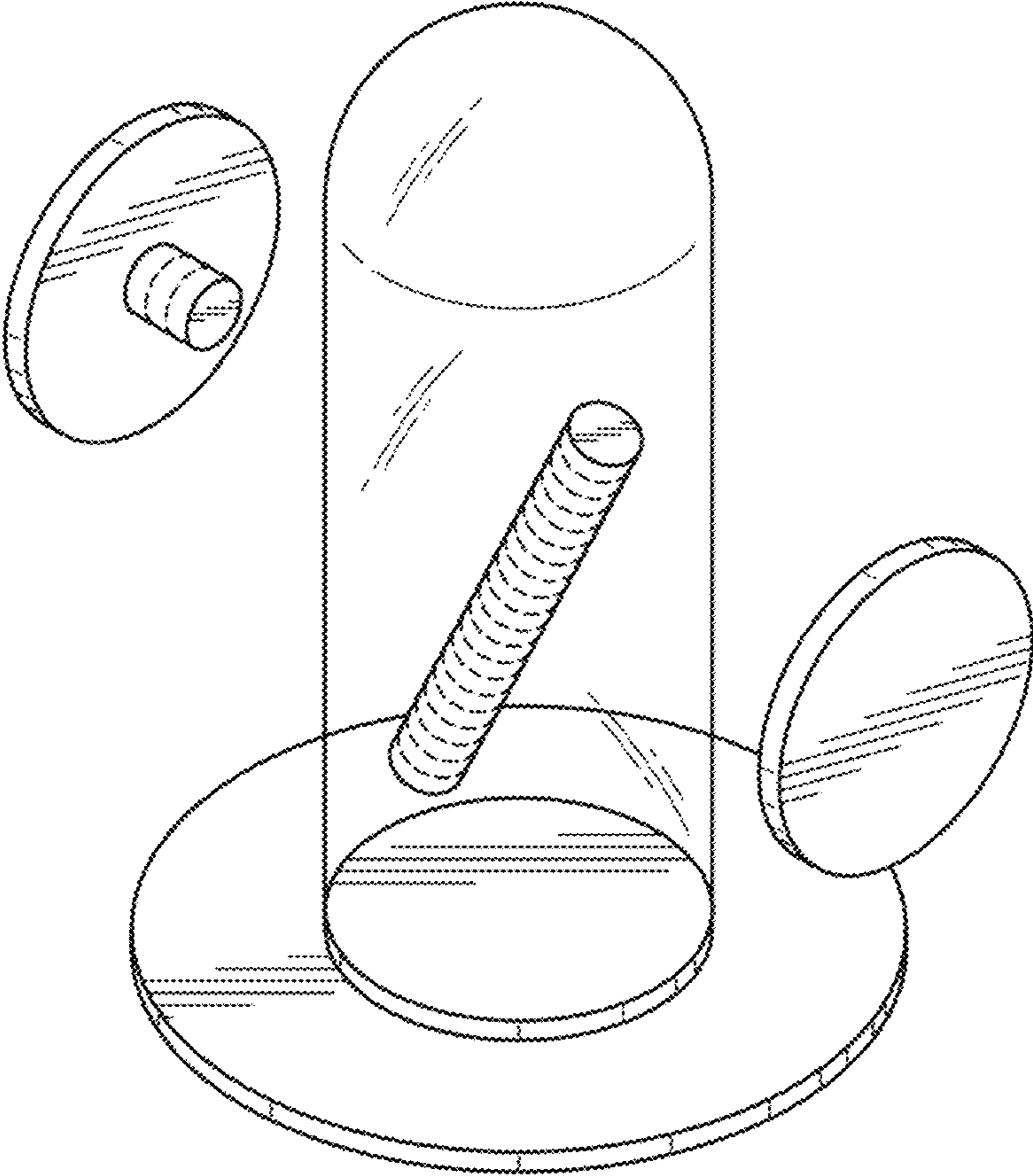


Fig. 6