



US00D903771S

(12) **United States Design Patent** (10) **Patent No.:** **US D903,771 S**
Rynda et al. (45) **Date of Patent:** **** Dec. 1, 2020**

(54) **HAND FORMING SHUFFLER**

2,714,510 A 8/1955 Oppenlander
2,717,782 A 9/1955 Droll
2,727,747 A 12/1955 Semisch, Jr.

(Continued)

(71) Applicants: **Robert John Rynda**, Las Vegas, NV (US); **Andrew James Jacobs**, Maple Plain, MN (US); **John Paul Anton**, Lakeville, MN (US); **Adam Walter Hungerbuhler**, Brooklyn Park, MN (US); **Craig Walter Oeding**, Waconia, MN (US)

FOREIGN PATENT DOCUMENTS

EP 3194039 A2 7/2017
JP 2001327647 A 11/2001

(Continued)

(72) Inventors: **Robert John Rynda**, Las Vegas, NV (US); **Andrew James Jacobs**, Maple Plain, MN (US); **John Paul Anton**, Lakeville, MN (US); **Adam Walter Hungerbuhler**, Brooklyn Park, MN (US); **Craig Walter Oeding**, Waconia, MN (US)

OTHER PUBLICATIONS

Table Products: Leading Innovation for Today and Tomorrow; <https://www.sggaming.com/Games/Shuffle-Master/Shufflers-and-Utilities/Single-Deck-Shufflers/DeckMate-2-7816>, 4 pages.

(Continued)

Primary Examiner — George D. Kirschbaum

Assistant Examiner — Joseph J Kukella

(73) Assignee: **AGS LLC**, Las Vegas, NV (US)

(74) *Attorney, Agent, or Firm* — Kerr IP Group, LLC

(**) Term: **15 Years**

(57) **CLAIM**

(21) Appl. No.: **29/700,608**

I claim the ornamental design for a hand forming shuffler, as shown and described.

(22) Filed: **Aug. 2, 2019**

DESCRIPTION

(51) **LOC (12) Cl.** **21-01**

(52) **U.S. Cl.**
USPC **D21/396**

(58) **Field of Classification Search**
USPC D21/392–396
CPC A63F 1/08; A63F 1/10; A63F 1/12; A63F 1/14
See application file for complete search history.

FIG. 1 shows an isometric front view of the hand forming shuffler mounted on a table.

FIG. 2 shows an isometric front view of the hand forming shuffler.

FIG. 3 shows an isometric rear view of the hand forming shuffler.

FIG. 4 shows a front view of the hand forming shuffler.

FIG. 5 shows a side view of the hand forming shuffler.

FIG. 6 shows rear view of the hand forming shuffler.

FIG. 7 shows top view of the hand forming shuffler; and,

FIG. 8 shows bottom view of the hand forming shuffler.

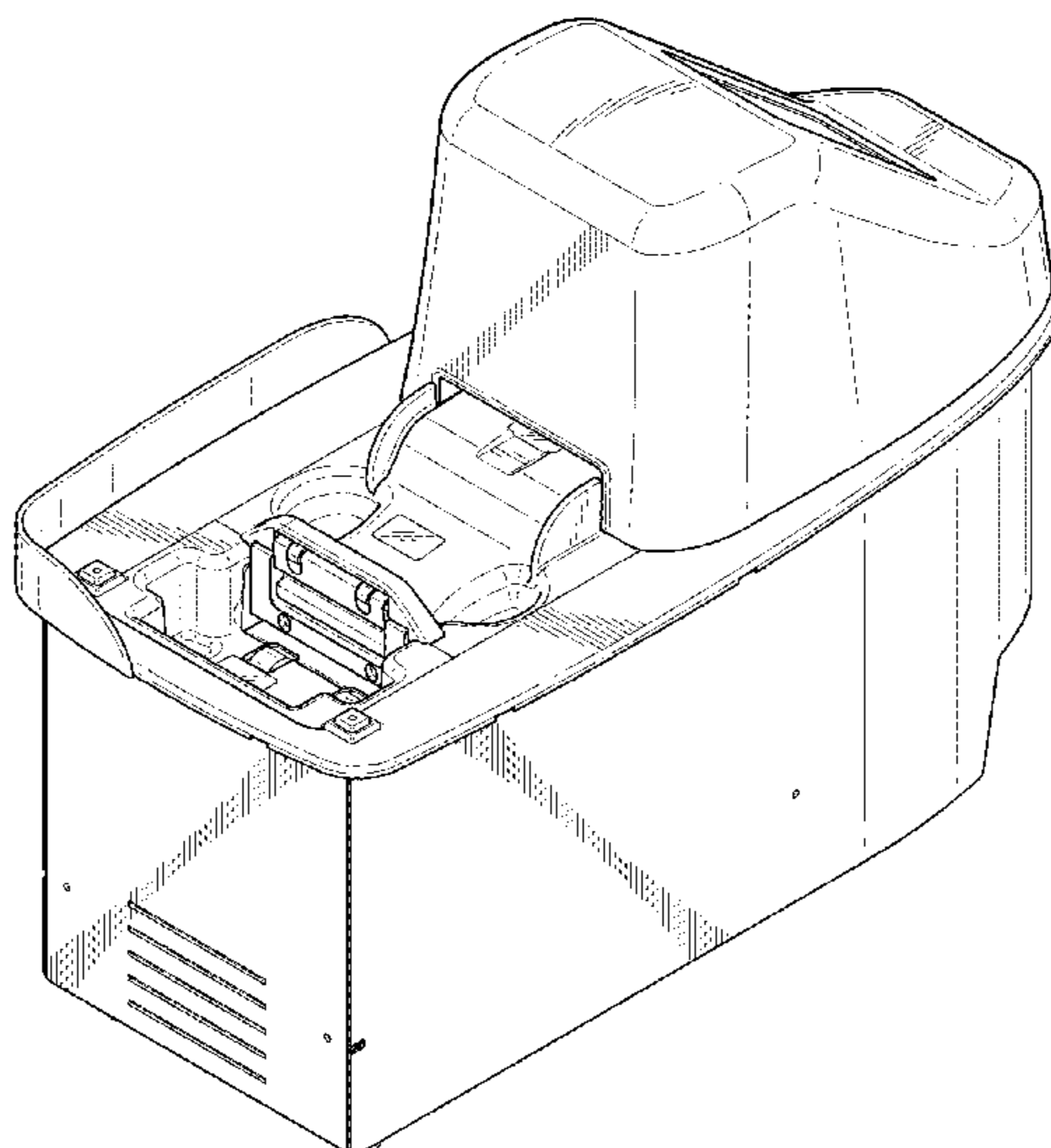
In the drawings, the broken lines depict environmental subject matter only and form no part of the claimed design.

(56) **References Cited**

U.S. PATENT DOCUMENTS

1,955,926 A 4/1934 Matthaey
2,159,958 A 5/1939 Sachs
2,430,681 A 11/1947 Johnson
2,706,117 A 4/1955 Notz
2,711,319 A 6/1955 Morgan

1 Claim, 8 Drawing Sheets



(56)

References Cited

U.S. PATENT DOCUMENTS

2,753,185 A	7/1956	Johnson	6,952,542 B1	10/2005	Morikawa
2,755,090 A	7/1956	Aldrich	6,959,955 B2	11/2005	Carter, III et al.
2,815,214 A	12/1957	Hall	7,059,602 B2	6/2006	Grauzer et al.
3,067,885 A	12/1962	Kohler	7,073,791 B2	7/2006	Grauzer et al.
3,147,978 A	9/1964	Sjostrand	7,137,627 B2	11/2006	Grauzer et al.
3,305,237 A	2/1967	Granius	7,234,698 B2	6/2007	Grauzer et al.
3,588,116 A	6/1971	Kosaburo	7,255,344 B2	8/2007	Grauzer et al.
3,589,730 A	6/1971	Slay	7,300,056 B2	11/2007	Gioia et al.
D224,658 S	8/1972	Cole et al.	7,322,576 B2	1/2008	Grauzer et al.
3,975,010 A	8/1976	Schisselbauer et al.	7,338,044 B2	3/2008	Grauzer et al.
4,033,502 A	7/1977	Rothchild	7,341,510 B2	3/2008	Bourbour et al.
4,151,410 A	4/1979	McMillan et al.	7,384,044 B2	6/2008	Grauzer et al.
4,310,160 A	1/1982	Willette et al.	7,413,191 B2	8/2008	Grauzer et al.
D269,628 S *	7/1983	Willette	D578,577 S	10/2008	Toyama
4,497,488 A	2/1985	Plevyak et al.	7,523,935 B2	4/2009	Grauzer et al.
4,513,969 A	4/1985	Samsel, Jr.	7,523,936 B2	4/2009	Grauzer et al.
4,515,367 A	5/1985	Howard	7,544,078 B1	6/2009	Liu et al.
4,534,562 A	8/1985	Cuff et al.	7,556,266 B2	7/2009	Blaha et al.
4,586,712 A	5/1986	Loiter et al.	7,568,489 B2	8/2009	Lee et al.
4,659,082 A	4/1987	Greenberg	7,644,923 B1	1/2010	Dickinson et al.
4,770,421 A	9/1988	Hoffman	7,661,676 B2	2/2010	Smith
4,807,884 A	2/1989	Breeding	7,702,635 B2	4/2010	Horvitz et al.
4,832,342 A	5/1989	Plevyak et al.	D615,600 S	5/2010	Scheper et al.
4,951,950 A	8/1990	Normand et al.	7,764,836 B2	7/2010	Downs, III et al.
4,969,648 A	11/1990	Hollinger et al.	7,766,332 B2	8/2010	Grauzer et al.
5,000,453 A	3/1991	Stevens et al.	7,784,790 B2	8/2010	Grauzer et al.
5,096,197 A	3/1992	Embury	7,815,189 B1	10/2010	Jenkins, Jr.
5,261,667 A	11/1993	Breeding	7,854,430 B2	12/2010	Toyama
5,344,146 A	9/1994	Lee	7,897,424 B2	3/2011	Park
5,356,145 A	10/1994	Verschoor	7,971,881 B2	7/2011	Toyama et al.
5,382,024 A	1/1995	Blaha	8,011,661 B2	9/2011	Stasson
5,397,133 A	3/1995	Penzias	D646,238 S	10/2011	Jang et al.
5,431,399 A	7/1995	Kelley	D646,338 S	10/2011	Scheper et al.
5,435,830 A	7/1995	Senda et al.	RE42,944 E	11/2011	Blaha et al.
5,445,377 A	8/1995	Steinbach	8,109,514 B2	2/2012	Toyama
5,575,475 A	11/1996	Steinbach	8,191,894 B2	6/2012	Grauzer et al.
5,584,483 A	12/1996	Sines et al.	D663,785 S	7/2012	Walsh et al.
5,676,372 A	10/1997	Sines et al.	8,210,535 B2	7/2012	Grauzer et al.
5,683,085 A	11/1997	Johnson et al.	8,342,525 B2	1/2013	Scheper et al.
5,692,748 A	12/1997	Frisco et al.	8,342,526 B1 *	1/2013	Sampson
5,695,189 A	12/1997	Breeding et al.	8,366,109 B2	2/2013	Soltys
5,718,427 A	2/1998	Cranford et al.	8,419,521 B2	4/2013	Grauzer et al.
5,770,533 A	6/1998	Franchi	8,469,360 B2	6/2013	Sines
5,779,546 A	7/1998	Meissner et al.	8,505,916 B2	8/2013	Grauzer et al.
5,944,310 A	8/1999	Johnson et al.	8,511,684 B2	8/2013	Grauzer et al.
D414,527 S	9/1999	Tedham	8,579,289 B2	11/2013	Rynda et al.
5,989,122 A	11/1999	Roblejo	8,602,416 B2	12/2013	Toyama
6,019,368 A	2/2000	Sines et al.	8,616,552 B2	12/2013	Czyzewski et al.
6,068,258 A	5/2000	Breeding et al.	8,628,086 B2	1/2014	Krenn et al.
D432,588 S	10/2000	Tedham	8,646,779 B2	2/2014	Grauzer et al.
6,139,014 A	10/2000	Breeding et al.	8,651,485 B2	2/2014	Stasson
6,149,154 A	11/2000	Grauzer et al.	8,702,101 B2	4/2014	Scheper et al.
6,250,632 B1	6/2001	Albrecht	D705,364 S *	5/2014	Miller
6,254,096 B1	7/2001	Grauzer et al.	8,720,892 B2	5/2014	Sines
6,299,167 B1	10/2001	Sines et al.	8,777,710 B2	7/2014	Grauzer et al.
6,325,373 B1	12/2001	Breeding et al.	8,814,164 B2	8/2014	Baker et al.
D465,082 S	11/2002	Hassett	8,820,745 B2	9/2014	Grauzer et al.
6,568,678 B2	5/2003	Breeding et al.	8,844,931 B2	9/2014	Blaha et al.
6,588,750 B1	7/2003	Grauzer et al.	8,899,587 B2	12/2014	Grauzer et al.
6,588,751 B1	7/2003	Grauzer et al.	8,944,904 B2	2/2015	Grauzer et al.
6,629,894 B1	10/2003	Purton	8,960,674 B2	2/2015	Stasson et al.
6,651,895 B1	11/2003	Sines et al.	8,992,323 B2	3/2015	Kelley et al.
6,651,981 B2	11/2003	Grauzer et al.	8,998,211 B2	4/2015	Grauzer et al.
6,651,982 B2	11/2003	Grauzer et al.	9,153,093 B2	10/2015	Hartley
6,655,684 B2	12/2003	Grauzer et al.	9,162,138 B2	10/2015	Grauzer et al.
6,659,460 B2	12/2003	Blaha et al.	9,220,971 B2	12/2015	Rynda et al.
D485,314 S *	1/2004	Collins	9,220,972 B2	12/2015	Grauzer et al.
6,676,127 B2	1/2004	Johnson et al.	9,233,298 B2	1/2016	Sines
6,698,756 B1	3/2004	Baker et al.	9,240,888 B2	1/2016	Crowder, Jr. et al.
D488,193 S	4/2004	Girard	9,259,640 B2	2/2016	Grauzer et al.
D490,481 S	5/2004	Hessing	9,266,012 B2	2/2016	Grauzer et al.
6,886,829 B2	5/2005	Hessing et al.	9,320,964 B2	4/2016	Wadds et al.
6,889,979 B2	5/2005	Blaha et al.	9,333,415 B2	5/2016	Hessing et al.
D506,395 S *	6/2005	Coles	9,339,723 B2	5/2016	Grauzer et al.
			9,345,951 B2	5/2016	Czyzewski et al.
			9,345,952 B2	5/2016	Blaha et al.
			9,378,766 B2	6/2016	Kelley et al.

D21/396

A63F 1/12

273/149 R

A63F 1/12

D21/396

(56)

References Cited

U.S. PATENT DOCUMENTS

9,387,390 B2 7/2016 Downs, III et al.
 D764,599 S 8/2016 Tedham
 9,474,957 B2 10/2016 Haushalter et al.
 9,504,905 B2 11/2016 Kelley et al.
 9,511,274 B2 12/2016 Kelley et al.
 9,539,494 B2 1/2017 Sines et al.
 9,561,428 B2 2/2017 Grauzer et al.
 9,566,501 B2 2/2017 Stasson et al.
 9,616,324 B2 4/2017 Krenn et al.
 9,623,317 B2 4/2017 Scheper et al.
 9,633,523 B2 4/2017 Grauzer et al.
 9,659,461 B2 5/2017 Grauzer et al.
 9,679,603 B2 6/2017 Kelly
 9,700,785 B2 7/2017 Hessing et al.
 9,713,761 B2 7/2017 Sampson et al.
 9,717,979 B2 8/2017 Grauzer et al.
 9,731,190 B2 8/2017 Sampson et al.
 9,789,385 B2 10/2017 Blaha et al.
 9,802,114 B2 10/2017 Krenn
 9,811,671 B1 11/2017 Durst et al.
 9,818,249 B1 11/2017 Fraser et al.
 9,846,814 B1 12/2017 Fraser
 9,849,368 B2 12/2017 Stasson et al.
 9,861,880 B2 1/2018 Stasson et al.
 10,124,241 B2 11/2018 Stasson et al.
 10,226,686 B2 3/2019 Scheper
 10,238,954 B2 3/2019 Stasson et al.
 2002/0163125 A1 11/2002 Grauzer et al.
 2003/0042673 A1 3/2003 Grauzer et al.
 2003/0052449 A1 3/2003 Grauzer et al.
 2003/0052450 A1 3/2003 Grauzer et al.
 2003/0090059 A1 5/2003 Grauzer et al.
 2003/0094756 A1 5/2003 Grauzer et al.
 2004/0245720 A1 12/2004 Grauzer et al.
 2005/0104289 A1* 5/2005 Grauzer A63F 1/12
 273/149 R

2006/0181022 A1* 8/2006 Grauzer A63F 1/12
 273/149 R
 2013/0026709 A1* 1/2013 Sampson A63F 1/14
 273/149 R
 2014/0103608 A1 4/2014 Grauzer et al.
 2014/0327208 A1* 11/2014 Grauzer A63F 1/12
 273/149 R
 2015/0130132 A1 5/2015 Grauzer et al.
 2015/0196833 A1 7/2015 Scheper et al.
 2015/0209655 A1 7/2015 Stasson et al.
 2015/0290529 A1 10/2015 Bourbour et al.
 2016/0220893 A1 8/2016 Czyzewski et al.
 2016/0236068 A1 8/2016 Wadds et al.
 2017/0072293 A1 3/2017 Kelly
 2017/0216713 A1 8/2017 Scheper et al.
 2018/0015357 A1 1/2018 Stasson et al.
 2018/0085658 A1 3/2018 Nelsen et al.
 2018/0089956 A1 3/2018 Nagaragatta et al.
 2018/0243641 A1 8/2018 Sattar et al.
 2018/0345122 A1 12/2018 Gunderson
 2019/0060739 A1 2/2019 Stasson et al.
 2019/0151746 A1* 5/2019 Stasson A63F 1/12

FOREIGN PATENT DOCUMENTS

WO 2016044776 A1 3/2016
 WO 2016018607 A4 5/2016

OTHER PUBLICATIONS

i-Deal Plus: All the Speed and Benefits of the Original, Plus More!;
<https://www.sggaming.com/Games/Shuffle-Master/Shufflers-and-Utilities/Single-Deck-Shufflers/iDeal-Plus-7817>, 3 pages.
 Worth Point: Shuffle Master ACE Poker Casino Card Shuffler;
<https://www.worthpoint.com/worthopedia/shuffle-master-ace-poker-casino-card-1871460497>.

* cited by examiner

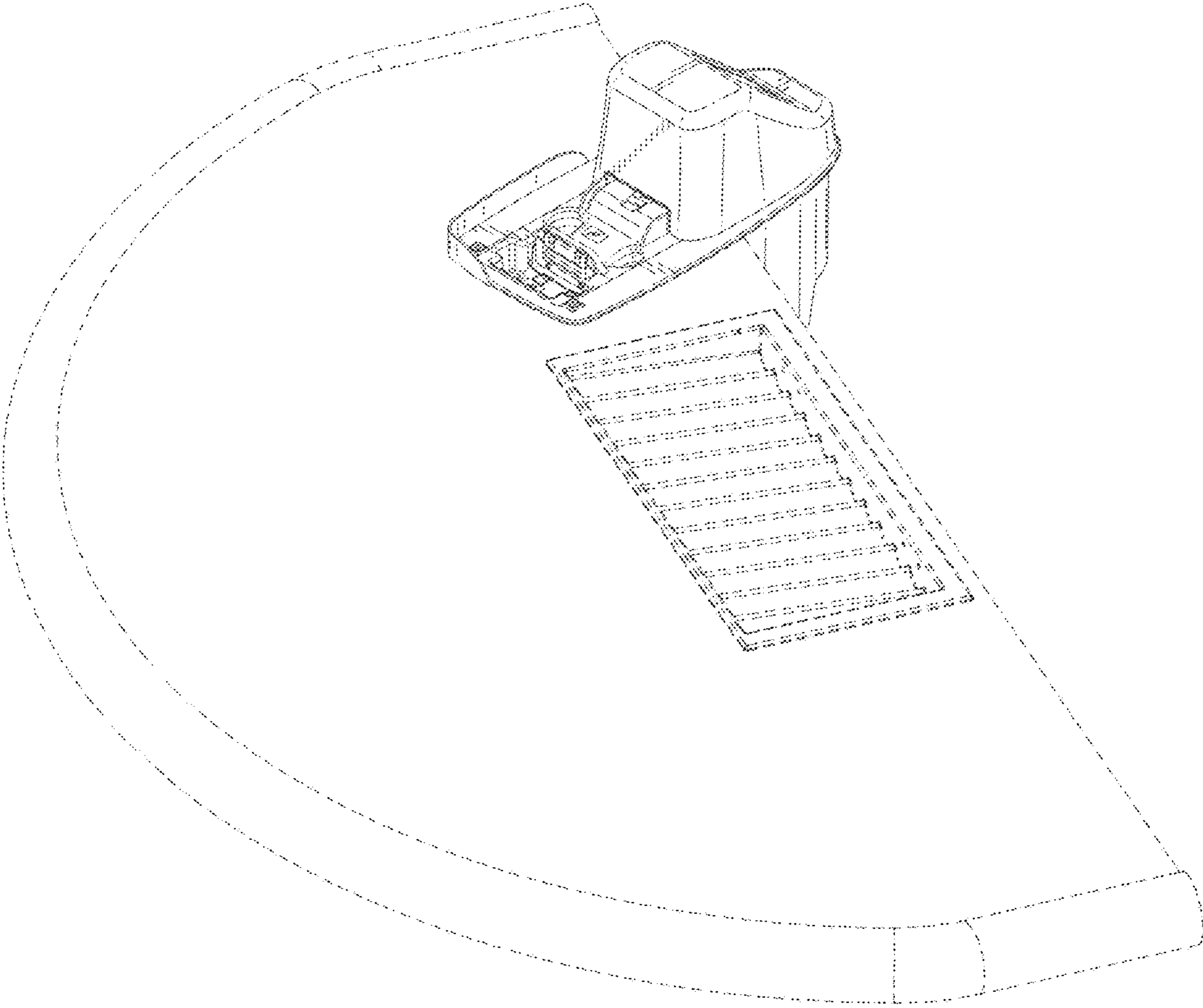
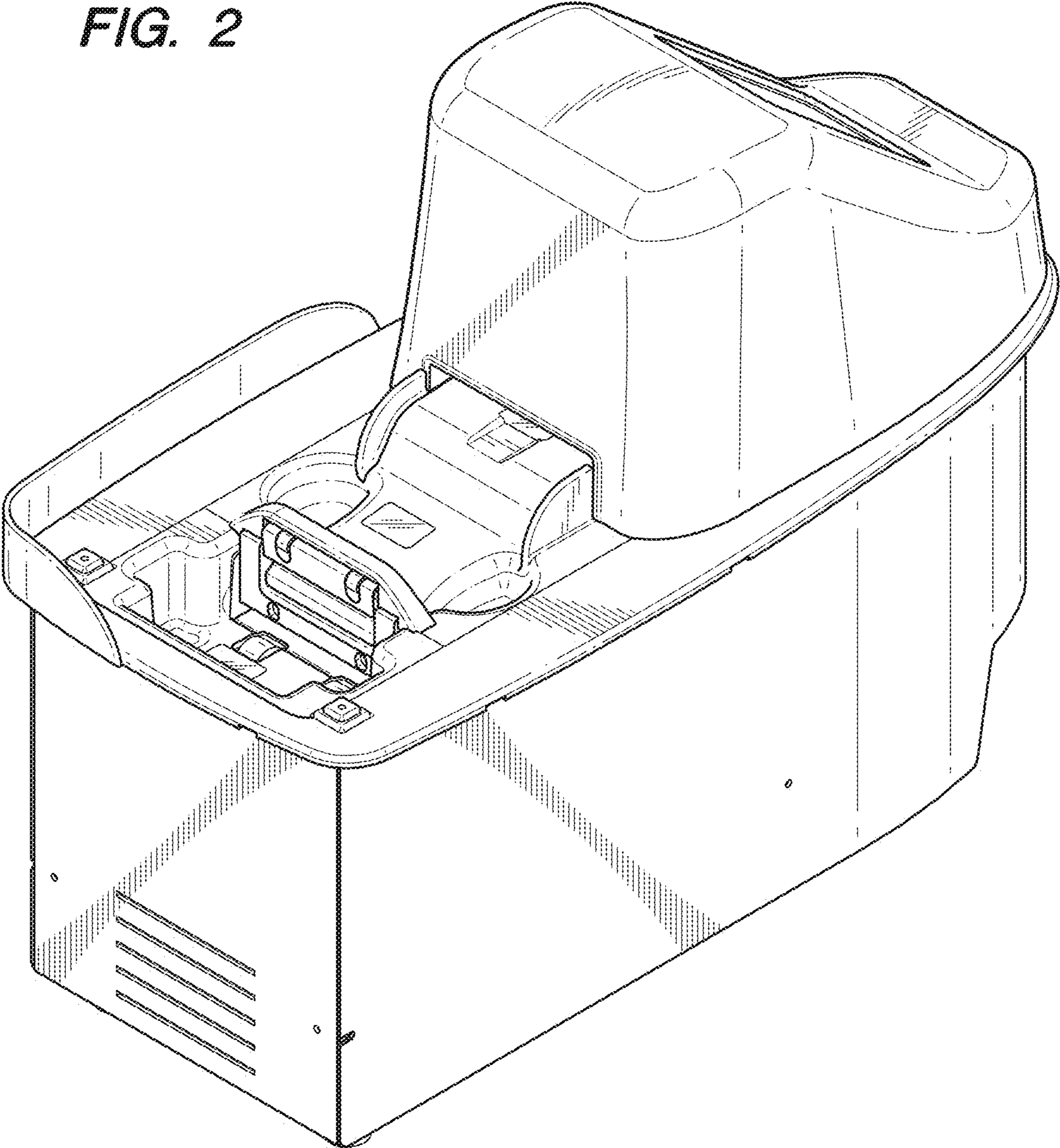


FIG. 1

FIG. 2



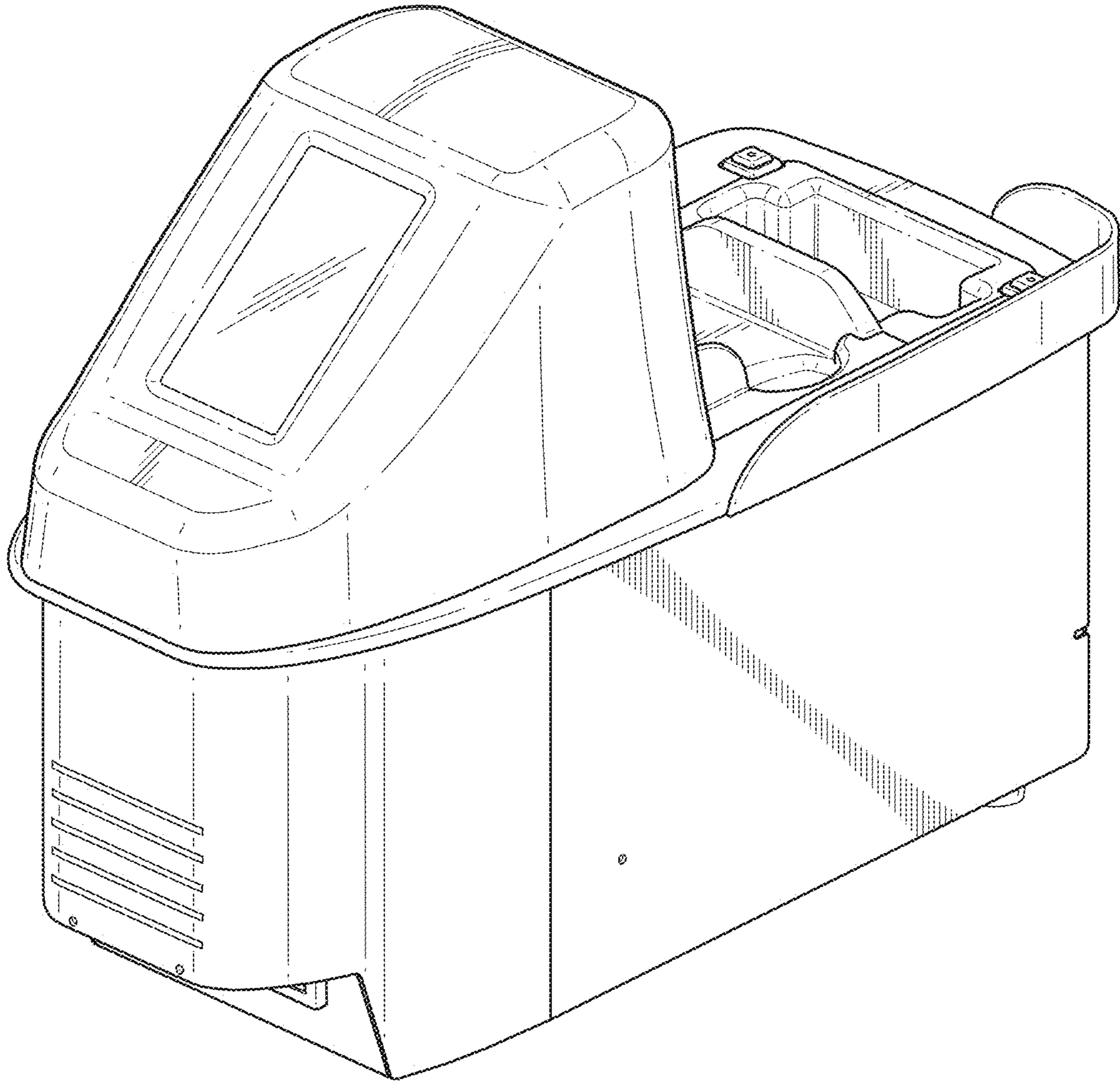


FIG. 3

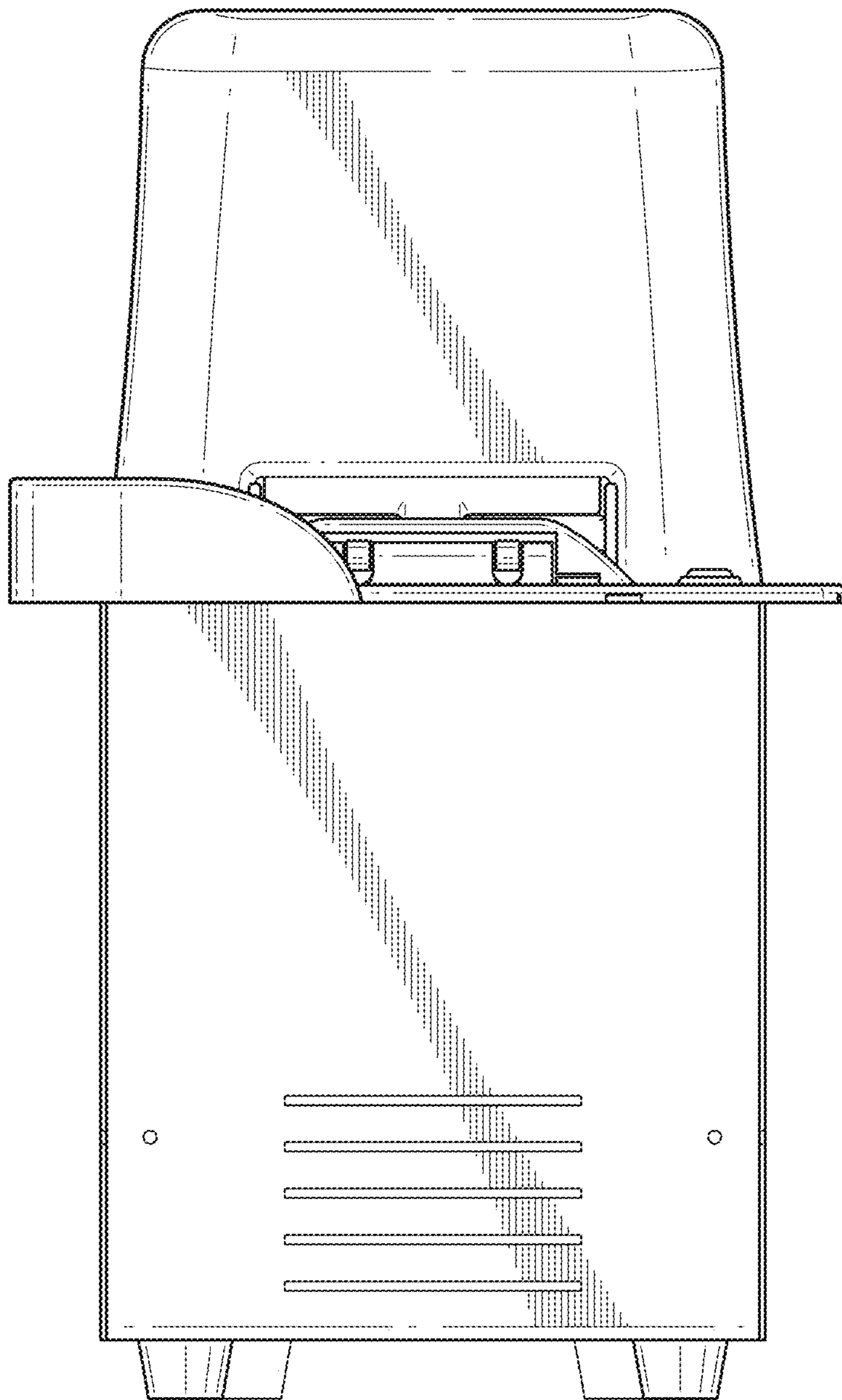


FIG. 4

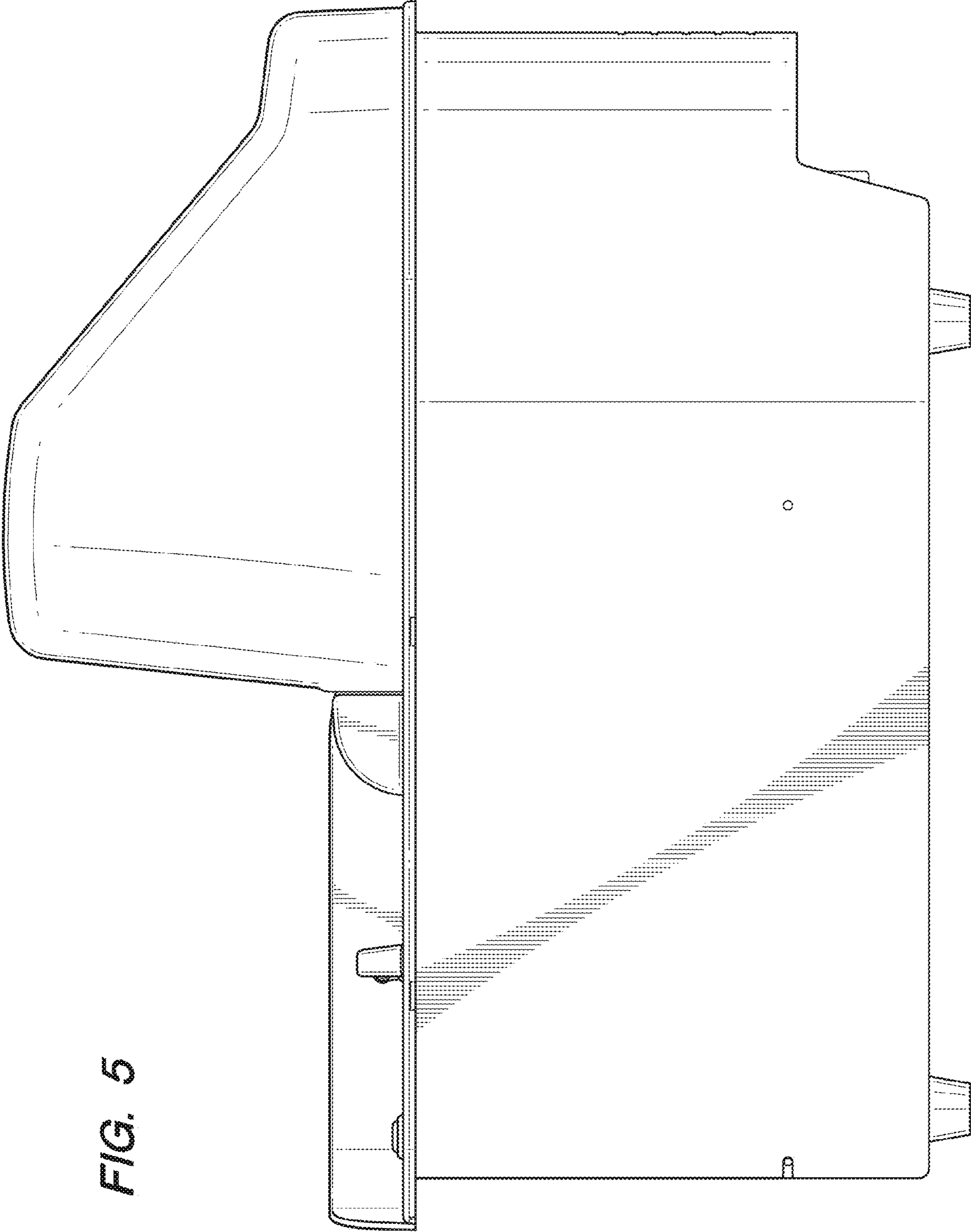


FIG. 5

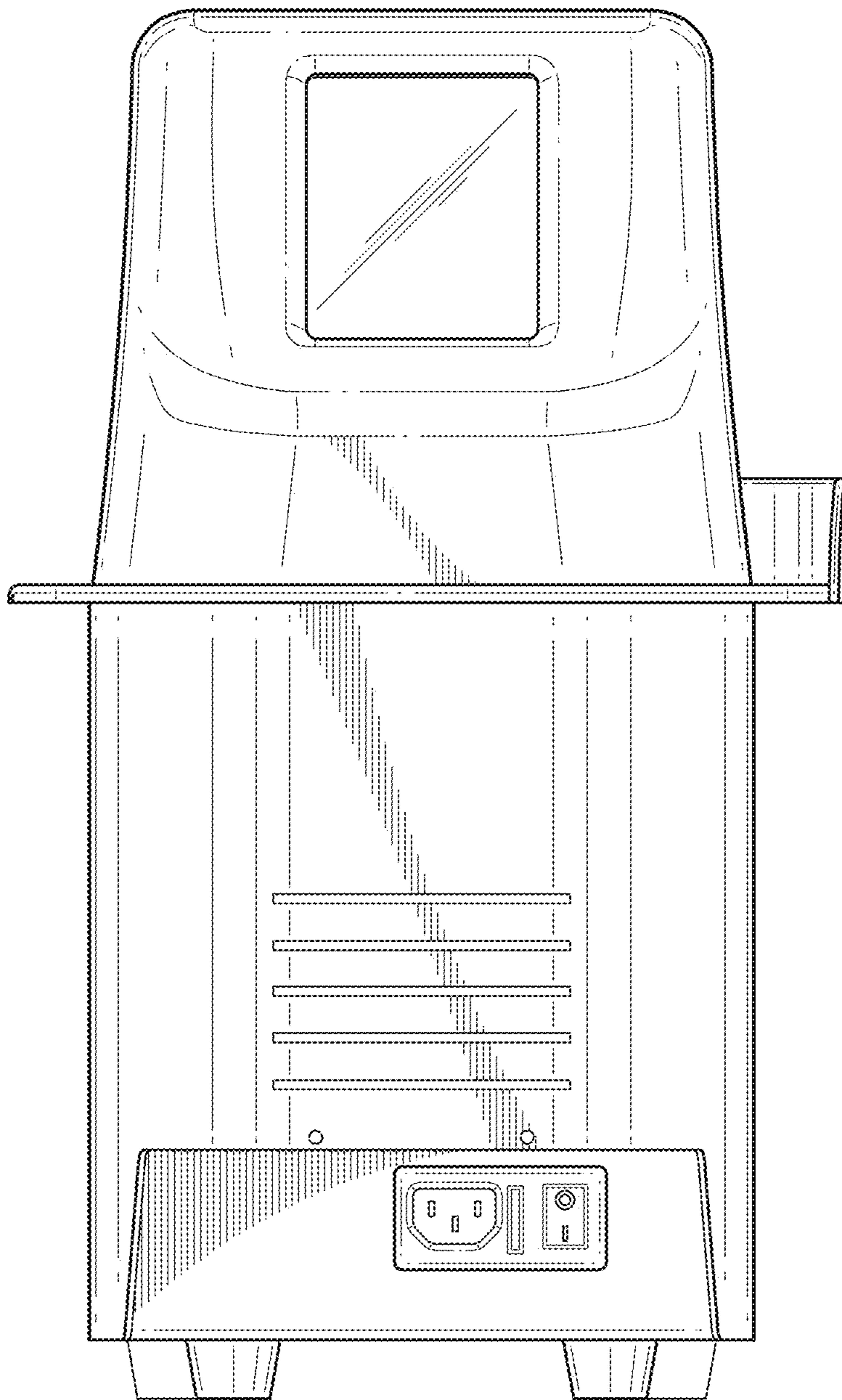


FIG. 6

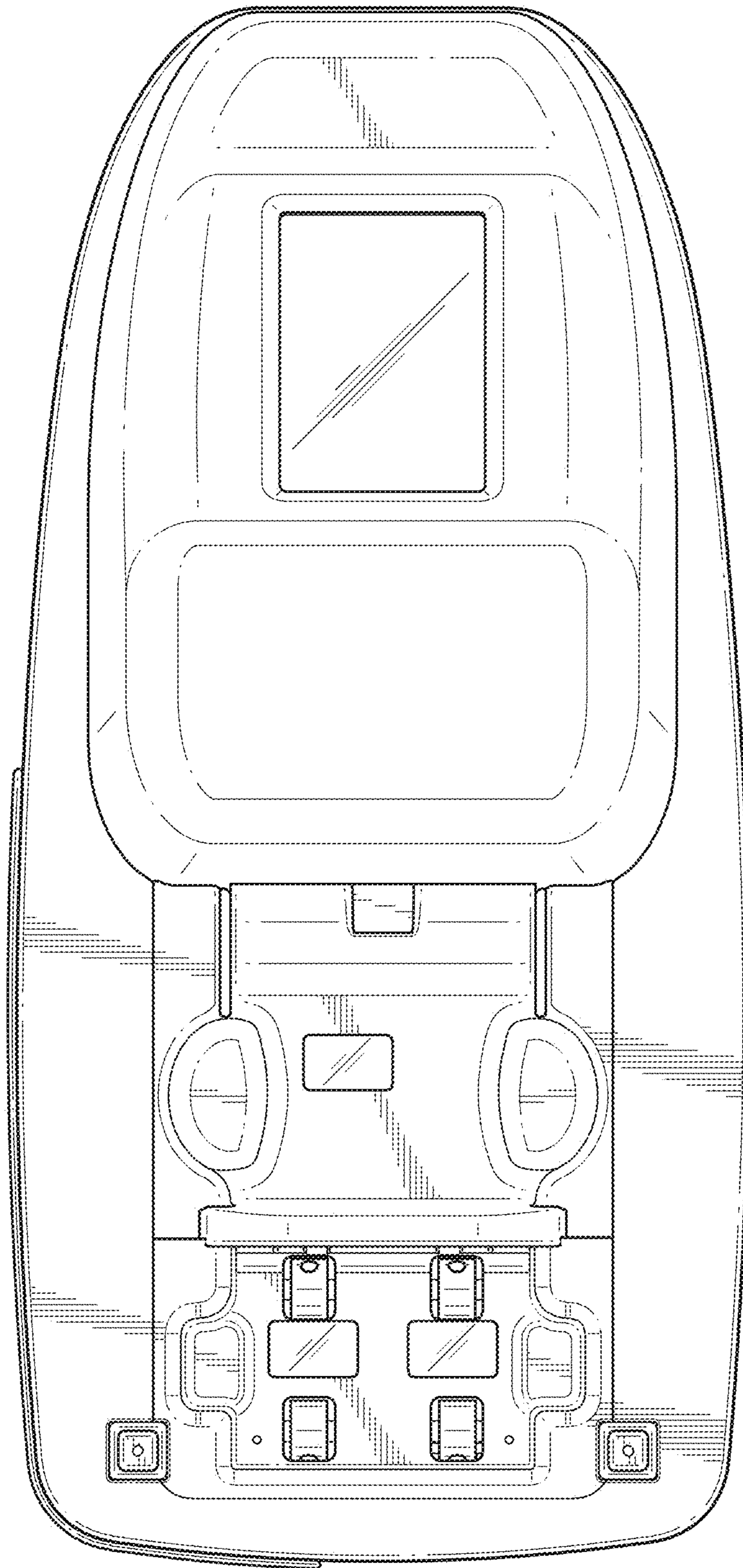


FIG. 7

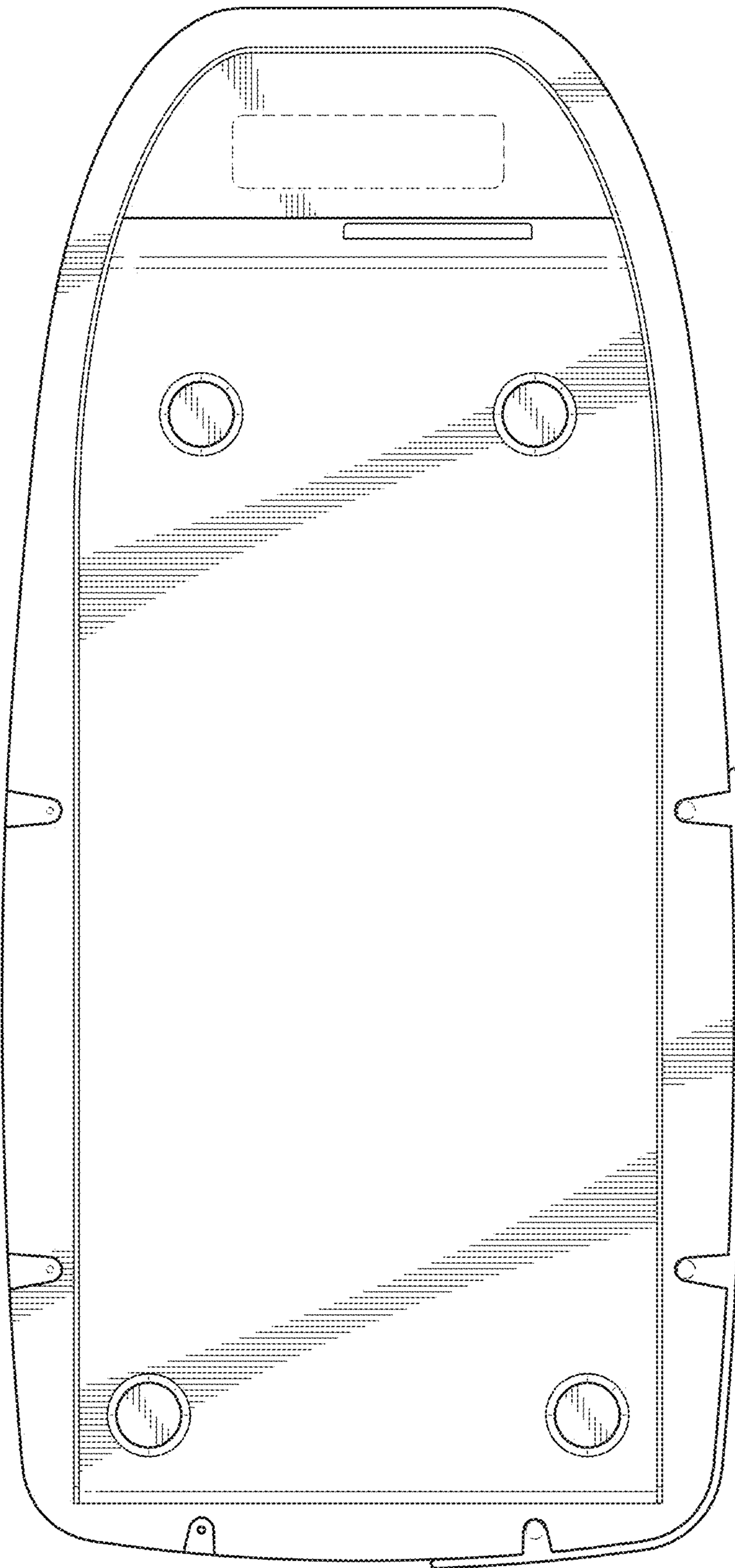


FIG. 8