



US00D903770S

(12) **United States Design Patent** (10) **Patent No.:** **US D903,770 S**
Chia et al. (45) **Date of Patent:** **** Dec. 1, 2020**

(54) **RIDGED FOAM DART WITH CAP**

(71) Applicant: **Easebon Services Limited**, Kwun Tong (HK)

(72) Inventors: **Francis See Chong Chia**, Kowloon (HK); **Xubin Xia**, Guangdong (CN)

(73) Assignee: **EASEBON SERVICES LIMITED**, Kwun Tong (HK)

(**) Term: **15 Years**

(21) Appl. No.: **29/750,160**

(22) Filed: **Sep. 11, 2020**

Related U.S. Application Data

(63) Continuation of application No. 29/696,455, filed on Jun. 27, 2019, now Pat. No. Des. 898,830.

(51) **LOC (12) Cl.** **21-01**

(52) **U.S. Cl.**
USPC **D21/387**

(58) **Field of Classification Search**
USPC D21/300, 301, 302, 307, 308, 334, 335, D21/363, 365, 370, 385-389, 392, 397
CPC . A63H 33/18; F42B 6/003; F42B 6/02; F42B 6/04; F42B 6/06; F42B 6/08; F42B 6/10
See application file for complete search history.

(56) **References Cited**

U.S. PATENT DOCUMENTS

D477,640 S * 7/2003 Gamble F42B 6/10
D21/387
D791,246 S * 7/2017 Foley D21/387
D802,681 S * 11/2017 Falkowski, II D21/387
D803,326 S * 11/2017 Wong B29C 48/06
D21/387
10,030,950 B1 * 7/2018 Chia F42B 6/08

D846,030 S * 4/2019 Brown D21/387
D852,922 S * 7/2019 Langner D22/115
D858,655 S * 9/2019 Bernal D21/570
D872,804 S * 1/2020 Chia D21/387
D878,487 S * 3/2020 Lallier D21/570
D896,893 S * 9/2020 Chia D21/387
D897,444 S * 9/2020 Chia D21/387
2006/0046877 A1 * 3/2006 Gajda, Jr. F42B 6/10
473/572
2015/0141181 A1 * 5/2015 Chia F42B 12/745
473/582
2018/0051966 A1 * 2/2018 Isenmann F42B 6/08

* cited by examiner

Primary Examiner — George D. Kirschbaum
Assistant Examiner — Joseph J Kukella
(74) *Attorney, Agent, or Firm* — Amster, Rothstein & Ebenstein LLP

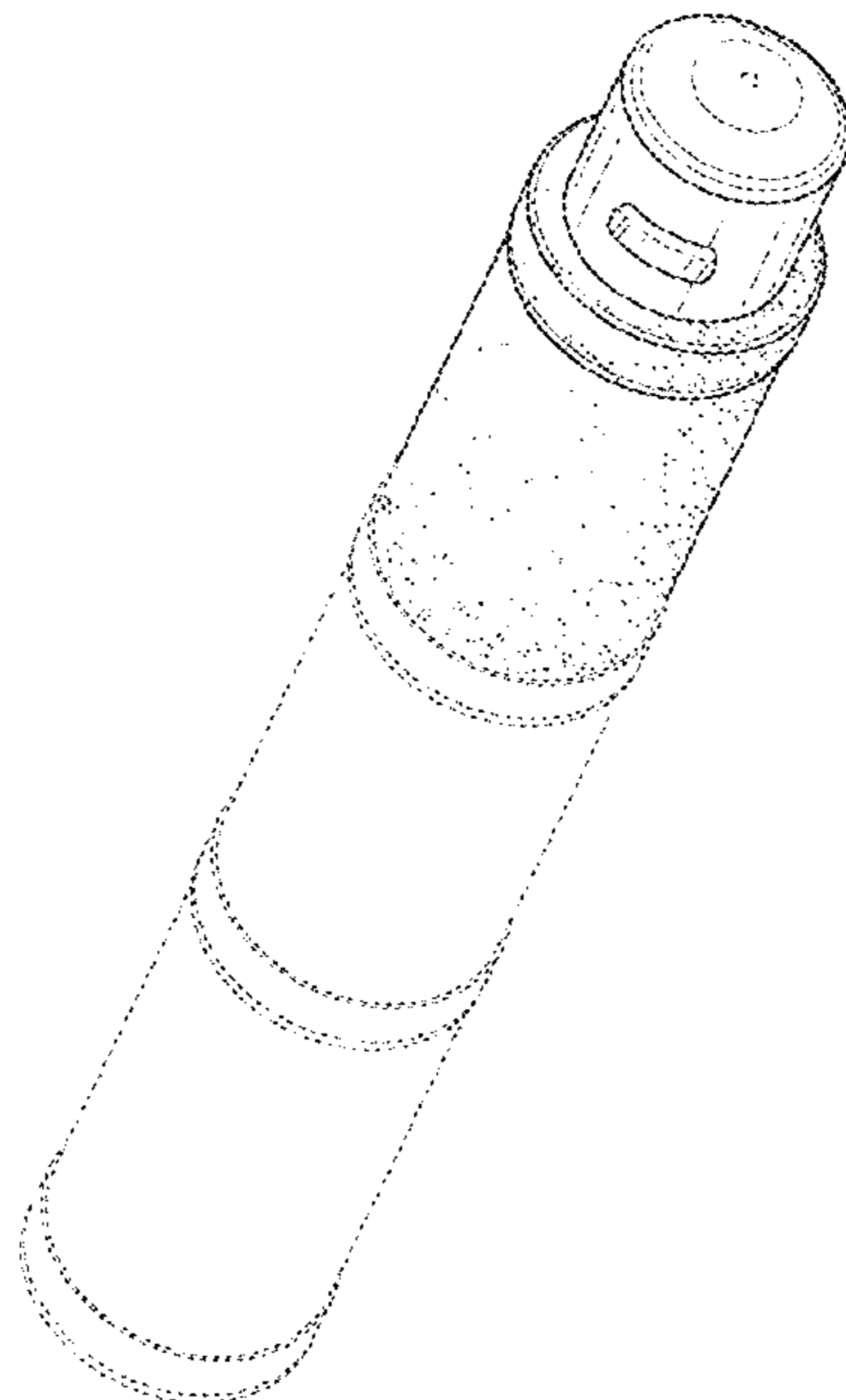
(57) **CLAIM**

The ornamental design for a ridged foam dart with cap, as shown and described.

DESCRIPTION

FIG. 1 is a first perspective view of a ridged foam dart with cap showing our new design;
FIG. 2 is a front view thereof;
FIG. 3 is a back view thereof;
FIG. 4 is a left side view thereof;
FIG. 5 is a right side view thereof;
FIG. 6 is a top view thereof
FIG. 7 is a bottom view thereof; and,
FIG. 8 is a second perspective view thereof.
The portions of the design shown in broken lines are for the purpose of illustrating environment only and form no part of the claimed design.

1 Claim, 5 Drawing Sheets



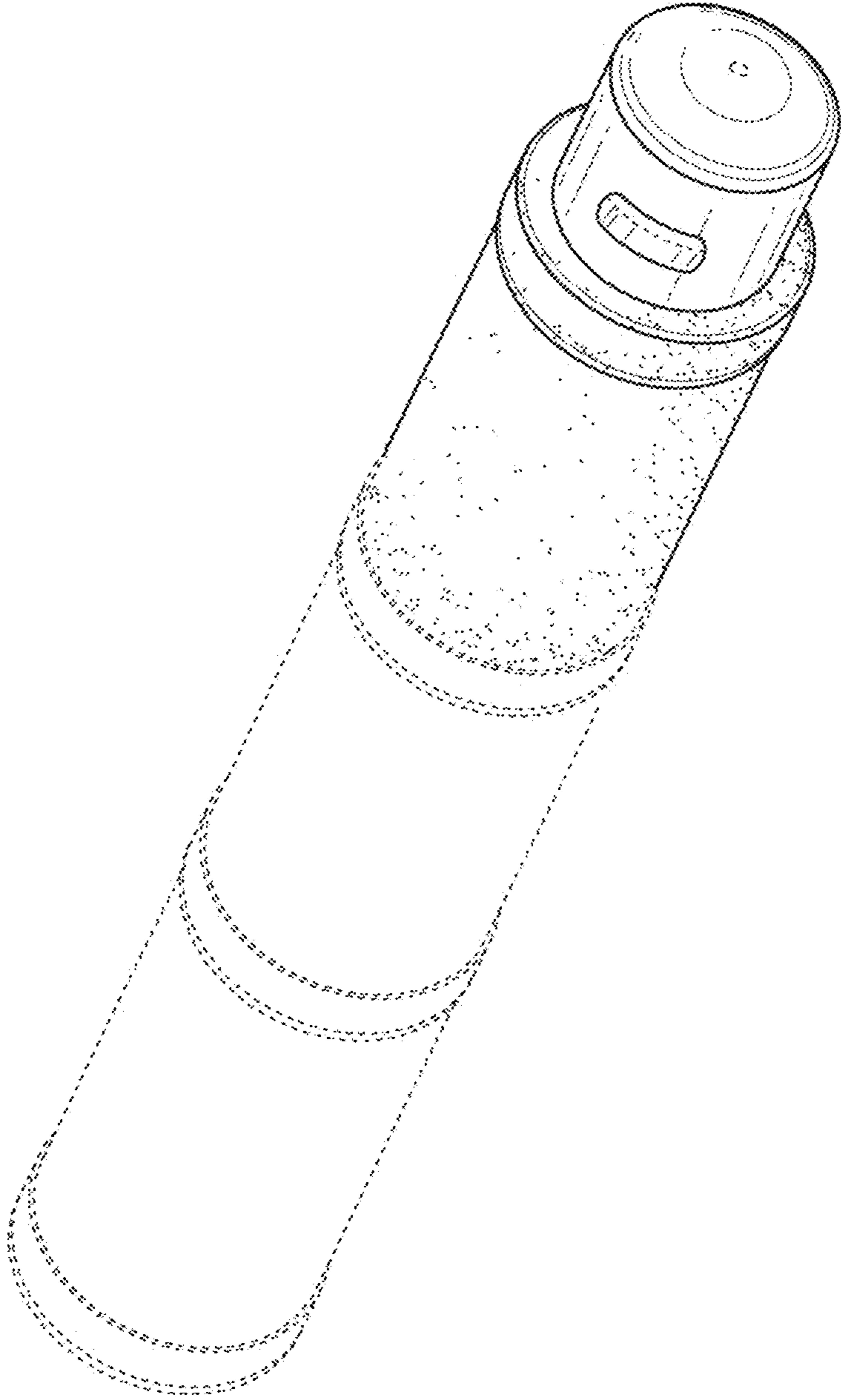


FIG. 1

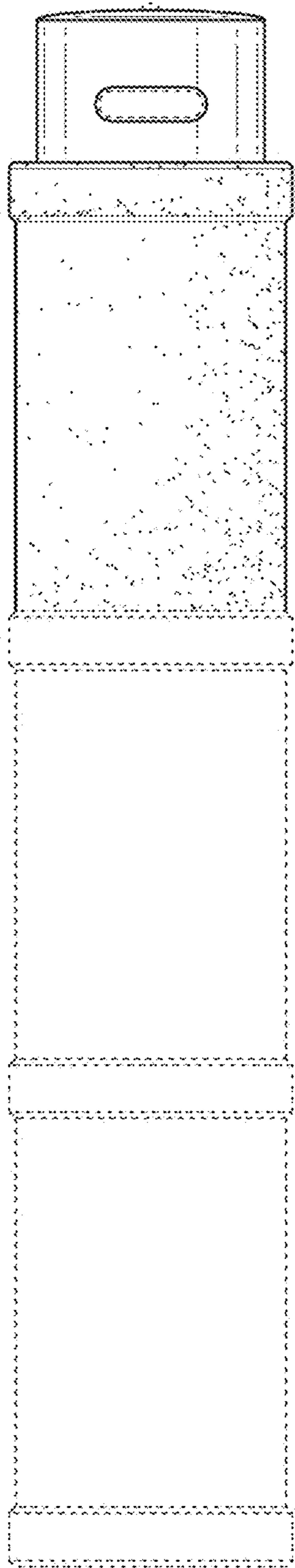


FIG. 2

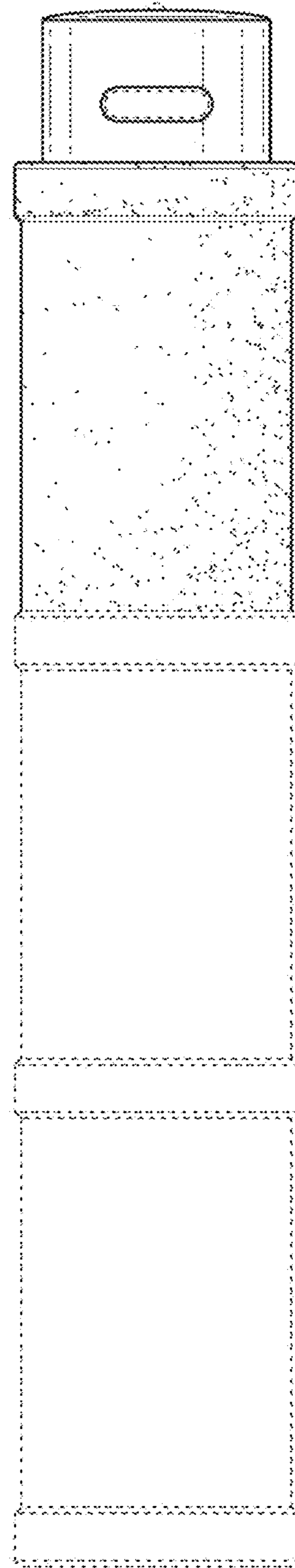


FIG. 3

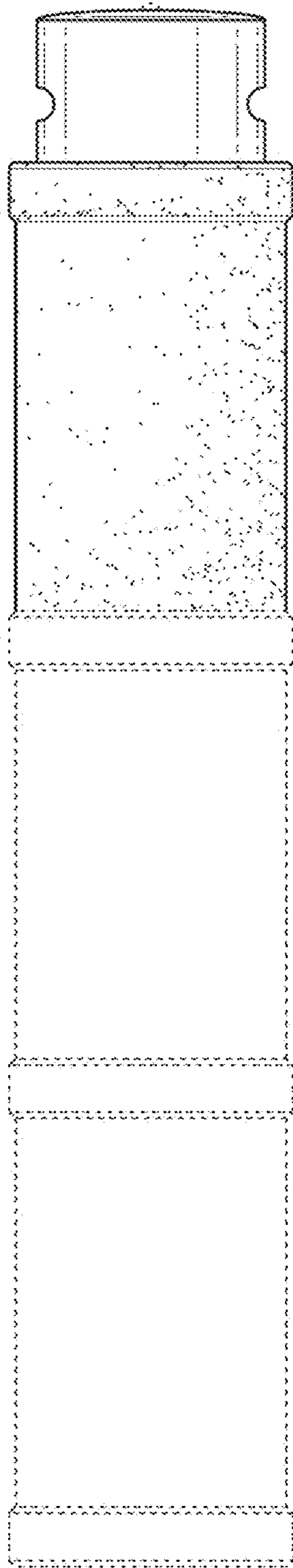


FIG. 4

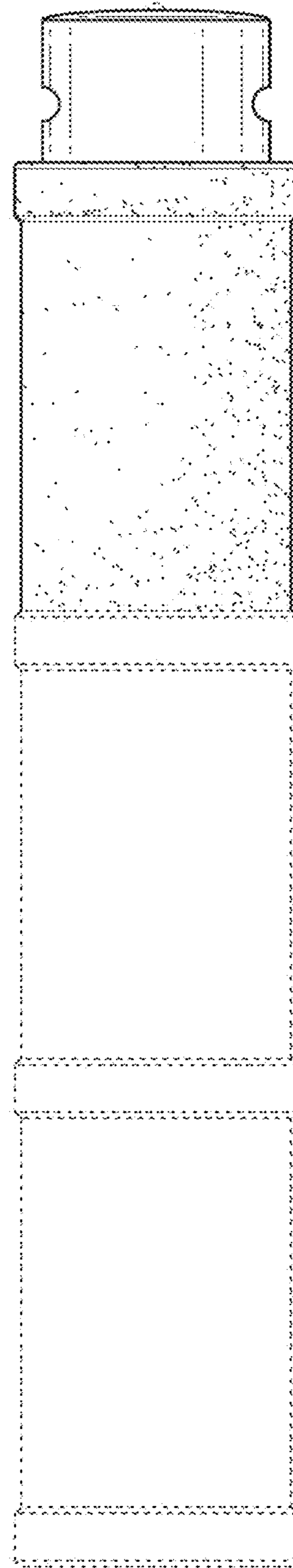


FIG. 5

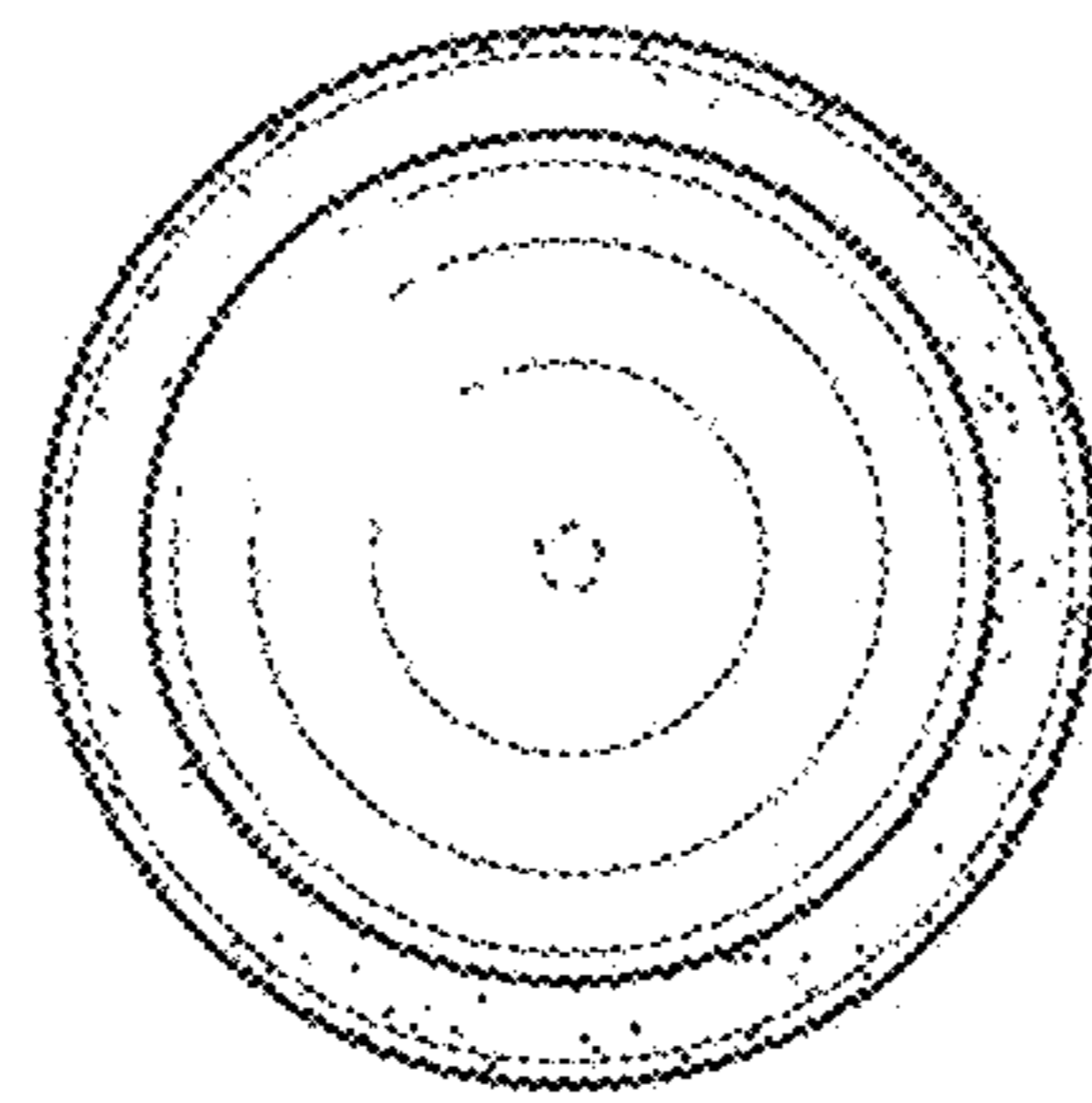


FIG. 6

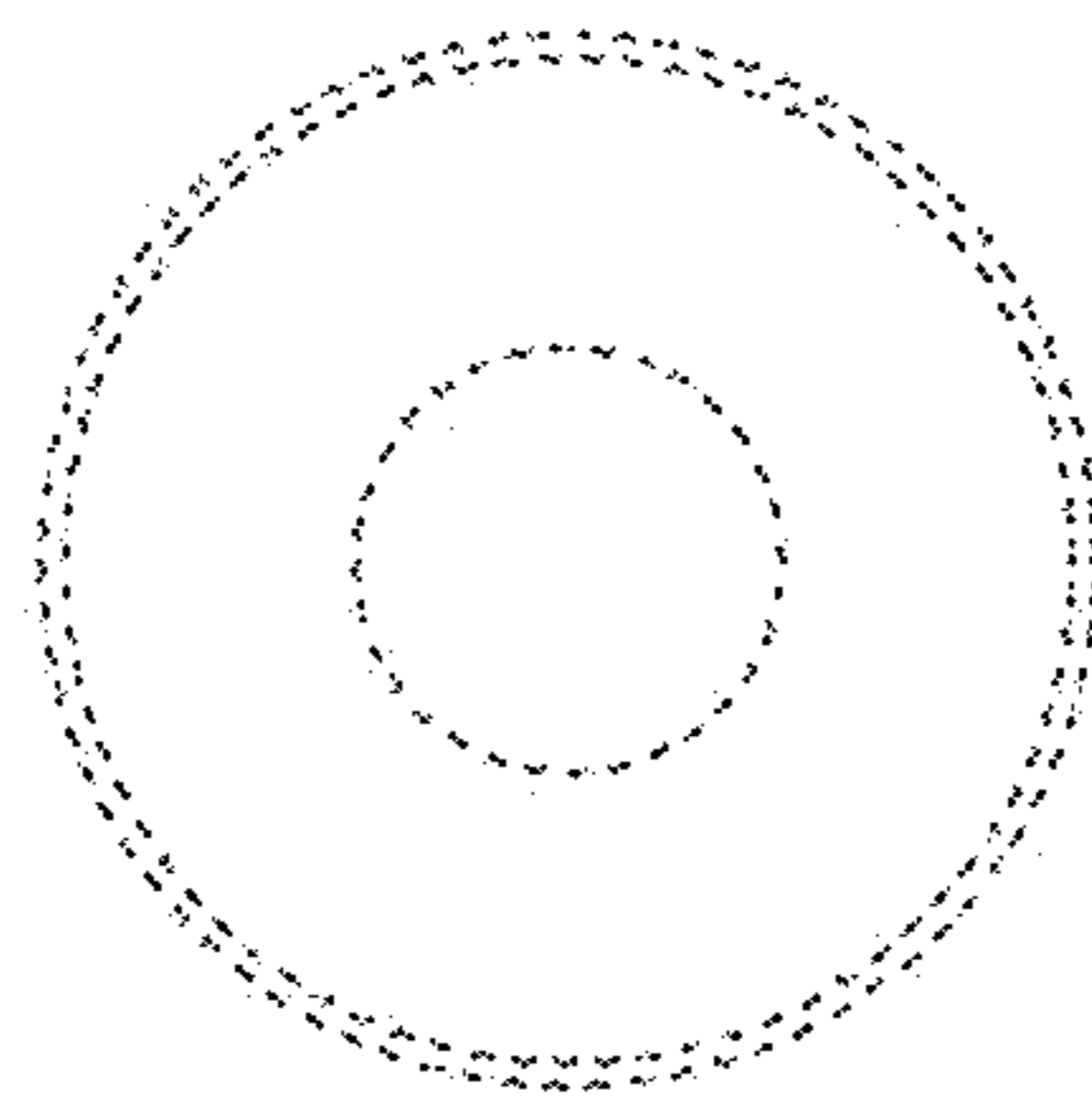


FIG. 7

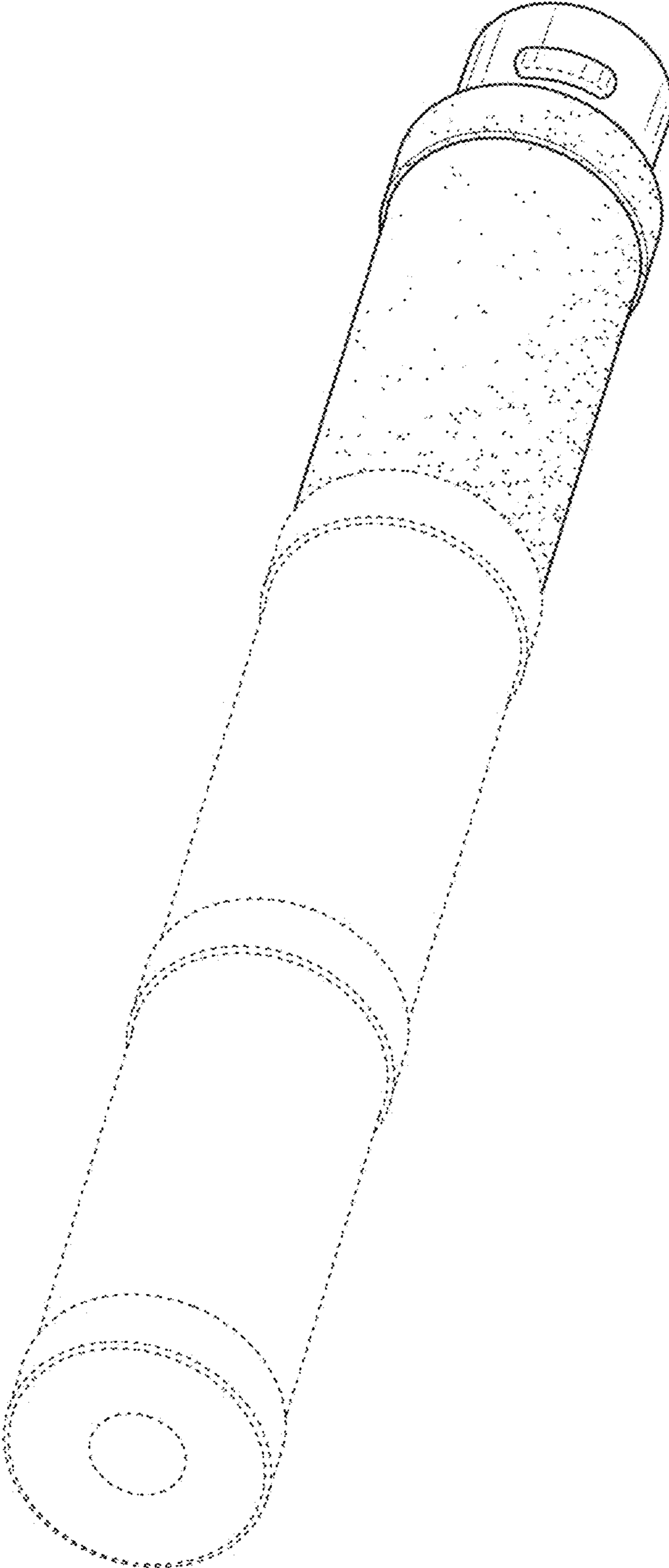


FIG. 8