



US00D903763S

(12) **United States Design Patent**
Zhang

(10) **Patent No.:** **US D903,763 S**

(45) **Date of Patent:** **** Dec. 1, 2020**

- (54) **PEN**
- (71) Applicant: **Beifa Group Co., Ltd.**, Ningbo (CN)
- (72) Inventor: **Youbin Zhang**, Ningbo (CN)
- (73) Assignee: **Beifa Group Co., Ltd.**, Ningbo (CN)
- (**) Term: **15 Years**
- (21) Appl. No.: **29/693,519**
- (22) Filed: **Jun. 3, 2019**

(30) **Foreign Application Priority Data**

Dec. 3, 2018 (CN) 2018 3 0692642

(51) **LOC (12) Cl.** **19-06**

(52) **U.S. Cl.**
USPC **D19/196**

(58) **Field of Classification Search**

USPC D19/115–204; D14/411
CPC . B43K 5/005; B43K 7/12; B43K 8/04; B43K
8/06; B43K 21/006; B43K 21/06
See application file for complete search history.

(56) **References Cited**

U.S. PATENT DOCUMENTS

- D249,887 S * 10/1978 Anderka D19/165
- D253,060 S * 10/1979 Itoh D19/167
- D254,912 S * 5/1980 Ito D19/164
- D256,136 S * 7/1980 Muller D19/169
- D258,217 S * 2/1981 Sakaoka D19/168
- D259,792 S * 7/1981 Itoh D19/169
- D261,010 S * 9/1981 Itoh D19/168
- D266,769 S * 11/1982 Camps D19/169
- D267,655 S * 1/1983 Verona D19/169
- D270,843 S * 10/1983 Itoh D19/169
- D275,577 S * 9/1984 Hechter D19/168
- D277,393 S * 1/1985 Oyabu 401/202

- D286,547 S * 11/1986 Koizumi D19/169
- D287,603 S * 1/1987 Bruhn D19/174
- D288,335 S * 2/1987 Renault D19/168
- D288,450 S * 2/1987 Renault D19/168
- D289,425 S * 4/1987 Thevenot D19/168
- D294,599 S * 3/1988 Funahashi D19/168
- D294,600 S * 3/1988 Funahashi D19/168
- D305,245 S * 12/1989 Chuang D19/195
- D327,911 S * 7/1992 Poisson D19/168
- D404,528 S * 1/1999 Wong D19/123
- D410,029 S * 5/1999 Melnick D19/168
- D423,049 S * 4/2000 Kohlhase D19/169
- D467,614 S * 12/2002 Pellissa Beneyto D19/170

(Continued)

Primary Examiner — Elizabeth A. Albert

(74) *Attorney, Agent, or Firm* — Seed Intellectual Property Law Group LLP

(57) **CLAIM**

The ornamental design for a pen, as shown and described.

DESCRIPTION

FIG. 1 is a front right perspective view of a pen showing my new design.

FIG. 2 is a front elevation view thereof.

FIG. 3 is a rear elevation view thereof.

FIG. 4 is a right side elevation view thereof, with the left side elevation view being a mirror image of the right side elevation view.

FIG. 5 is a top plan view thereof.

FIG. 6 is a bottom plan view thereof.

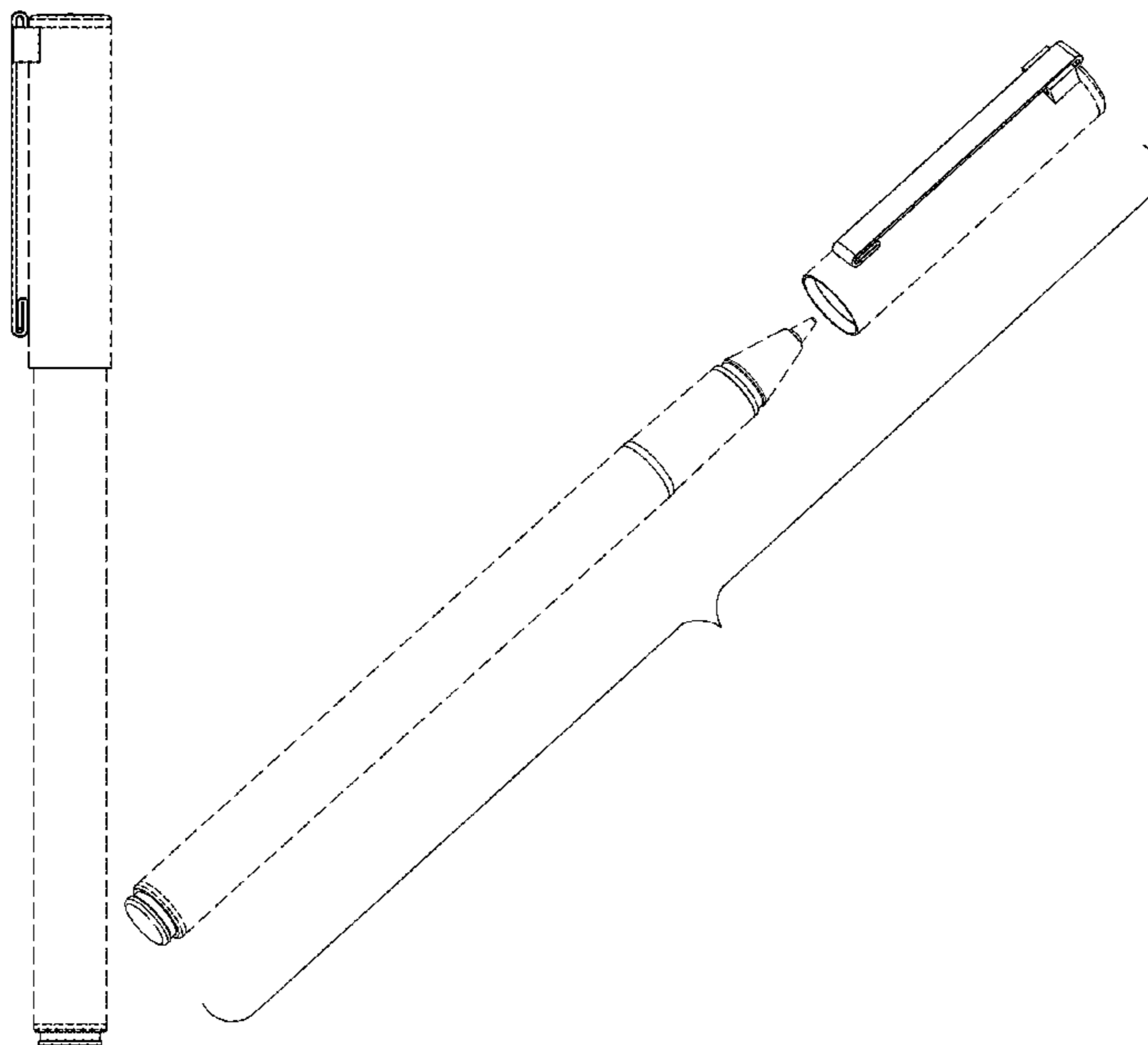
FIG. 7 is an enlarged top plan view thereof.

FIG. 8 is an enlarged bottom plan view thereof; and,

FIG. 9 is an exploded front right perspective view thereof.

The portions of the pen barrel and cap shown in broken lines form no part of the claimed design. The broken line circle inside the bottom end of the pen in FIGS. 6, 8, and 9 defines a boundary of the claimed design and forms no part thereof.

1 Claim, 4 Drawing Sheets



(56)

References Cited

U.S. PATENT DOCUMENTS

| | | | | | | |
|----------|---|---|---------|------------------|-------|---------|
| D467,970 | S | * | 12/2002 | Pellissa Beneyto | | D19/169 |
| D565,657 | S | * | 4/2008 | Kitamura | | D19/195 |
| D572,759 | S | * | 7/2008 | Zhao | | D19/167 |
| D601,195 | S | * | 9/2009 | Wang | | D19/168 |
| D611,098 | S | * | 3/2010 | Collin | | D19/169 |
| D698,864 | S | * | 2/2014 | Watase | | D19/164 |
| D724,668 | S | * | 3/2015 | Bo | | D19/170 |
| D767,034 | S | * | 9/2016 | Zhang | | D19/173 |
| D856,423 | S | * | 8/2019 | Lin | | D19/169 |
| D882,274 | S | * | 4/2020 | Han | | D4/135 |
| D885,484 | S | * | 5/2020 | Zhao | | D19/169 |

* cited by examiner

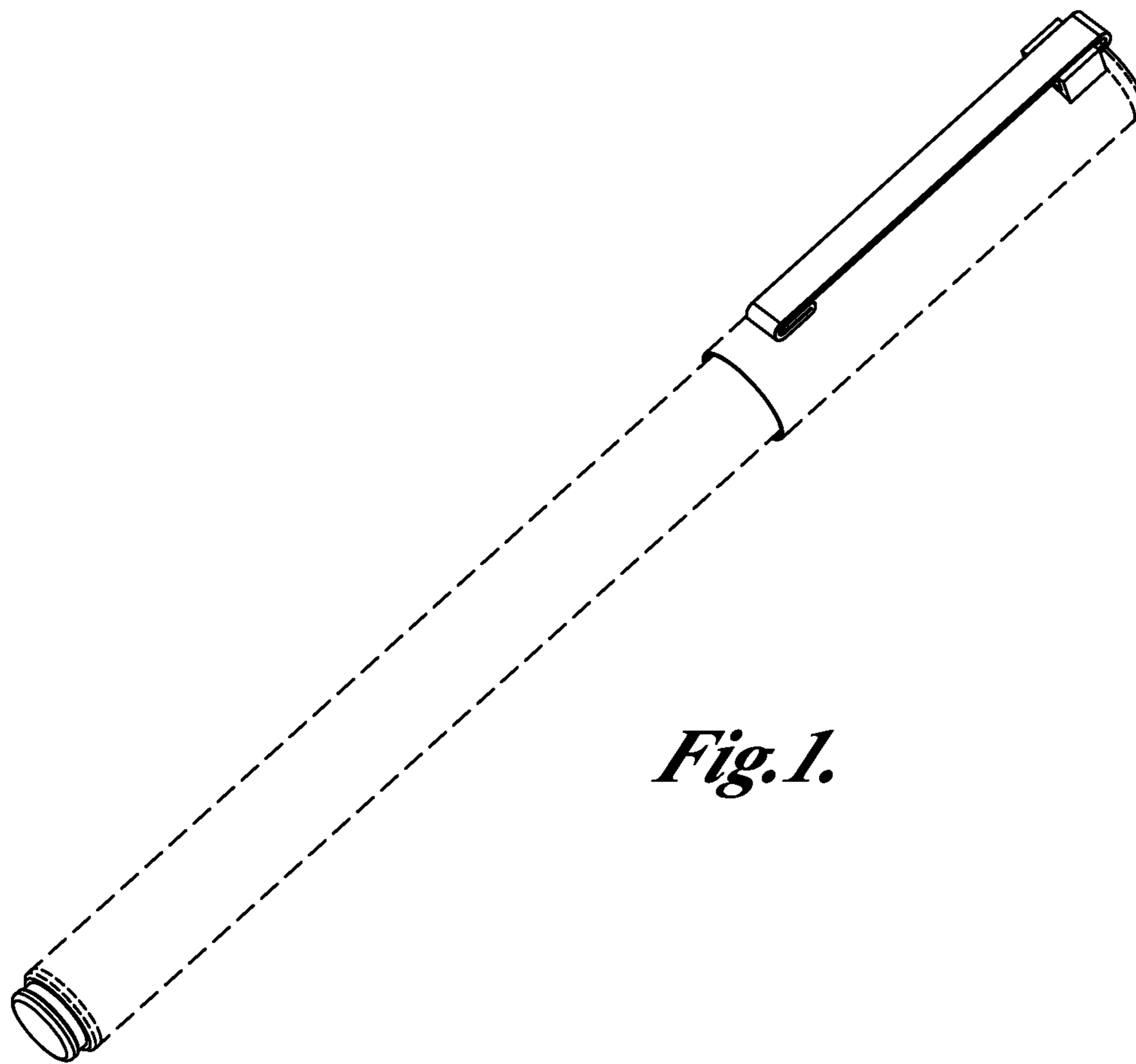


Fig. 1.

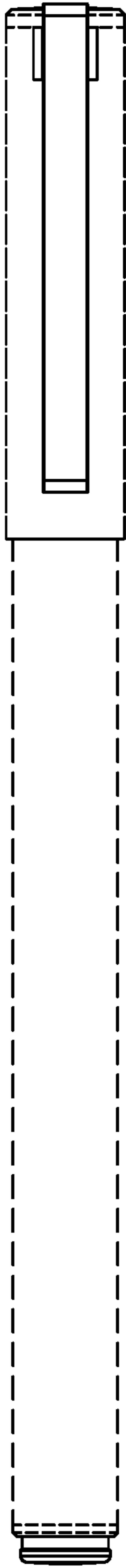


Fig. 2.

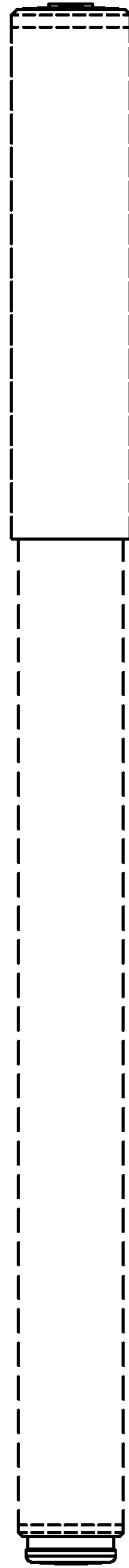


Fig. 3.

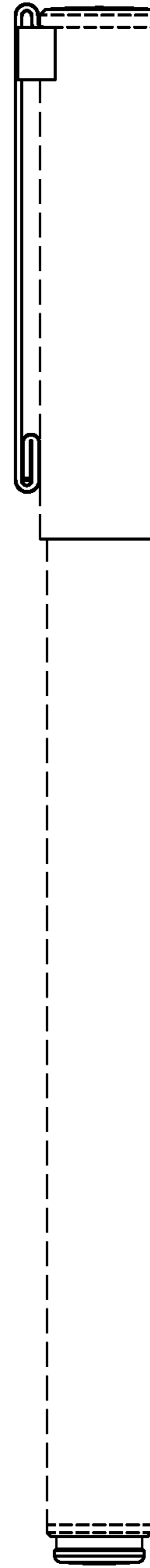


Fig. 4.

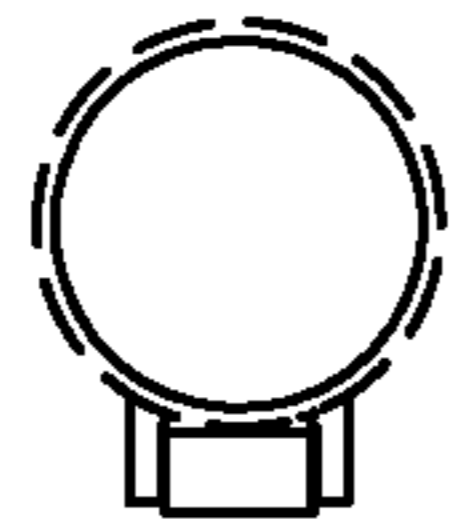


Fig. 5.

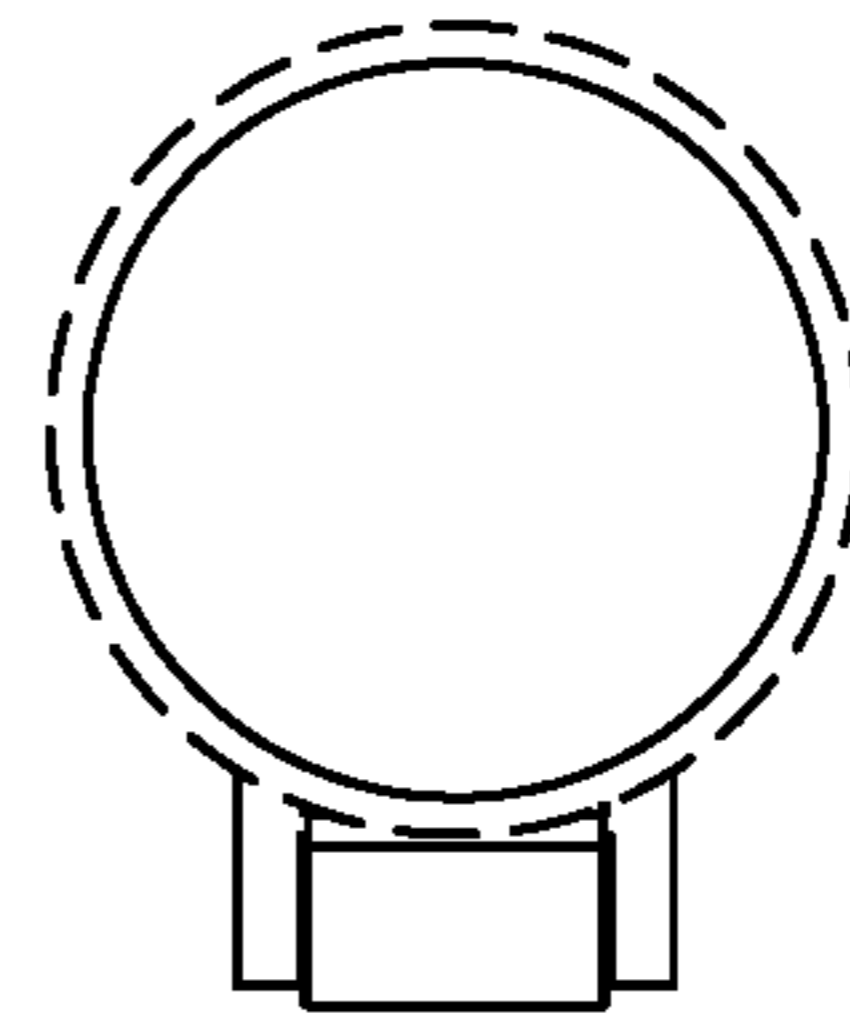


Fig. 7.

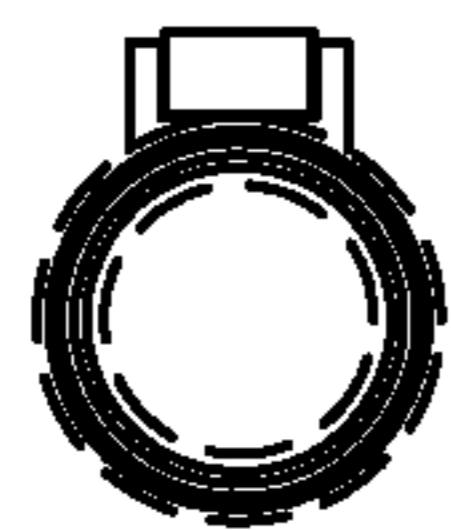


Fig. 6.

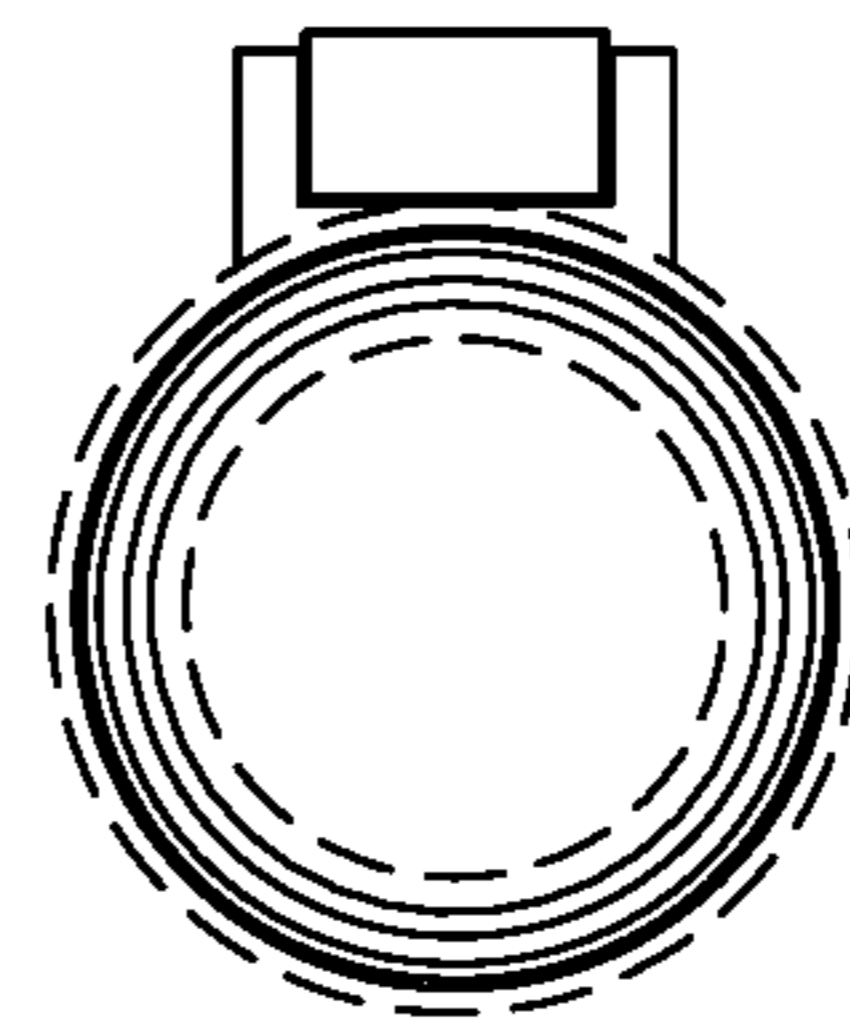


Fig. 8.

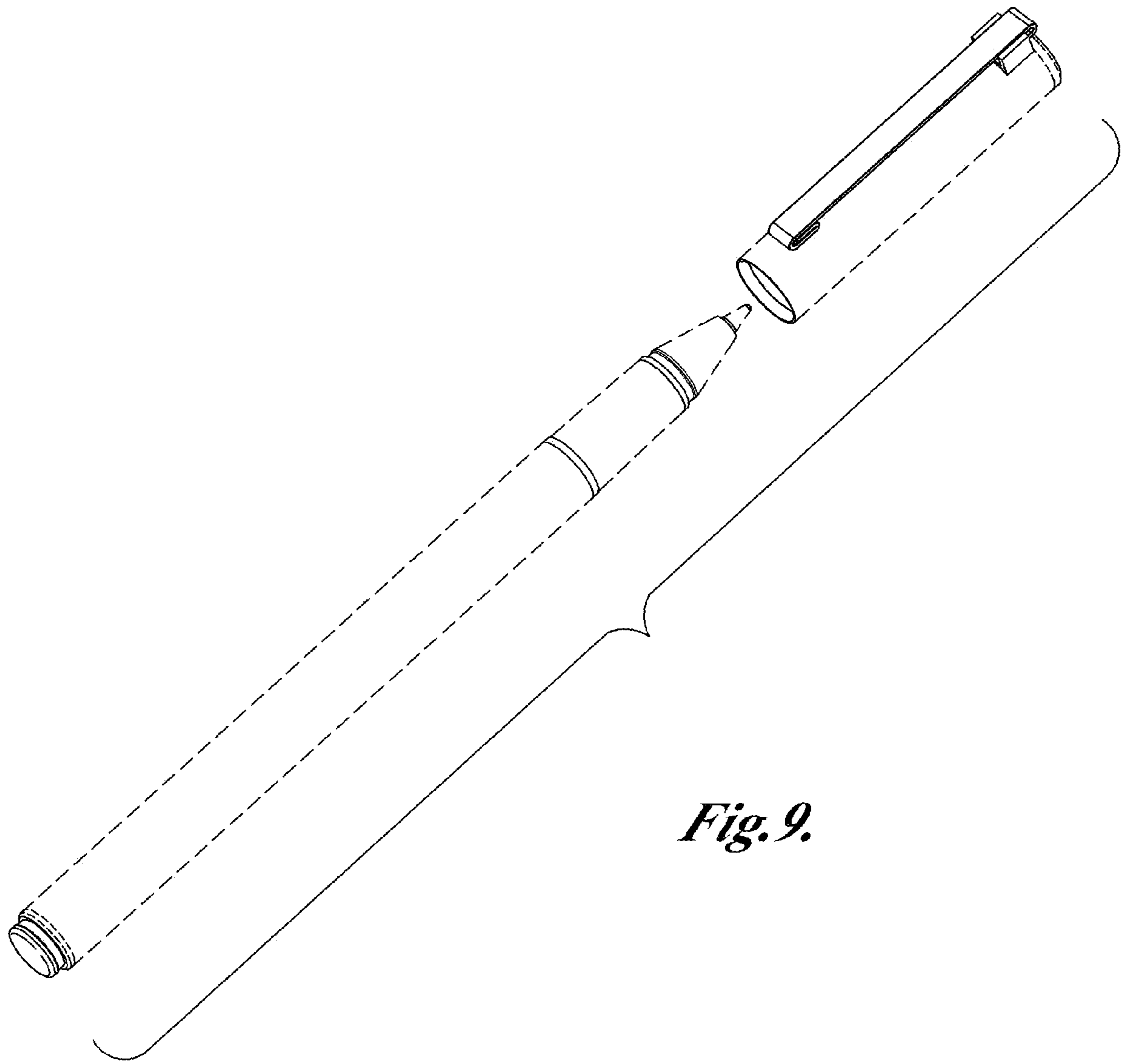


Fig. 9.