



US00D903762S

(12) **United States Design Patent**
Jin et al.

(10) **Patent No.:** **US D903,762 S**
(45) **Date of Patent:** **** Dec. 1, 2020**

- (54) **BOOK SUPPORT**
- (71) Applicants: **Huang Jin**, Ningbo (CN); **Sosha Morris**, Bella Vista, AR (US)
- (72) Inventors: **Huang Jin**, Ningbo (CN); **Sosha Morris**, Bella Vista, AR (US)
- (73) Assignee: **Aiven On Stationary Co., LTD**, Ninghai (CN)
- (**) Term: **15 Years**
- (21) Appl. No.: **29/673,563**
- (22) Filed: **Dec. 15, 2018**
- (51) **LOC (12) Cl.** **19-02**
- (52) **U.S. Cl.**
USPC **D19/91**
- (58) **Field of Classification Search**
USPC D19/75-92, 99, 135; D3/206, 304, 306, D3/310, 315; D6/675.5, 683, 683.1; D7/631, 637-641; D9/427, 432, 611; D14/253
CPC .. B43M 99/00; B43M 99/001; B43M 99/003; B43M 99/006; B43M 99/007; B43M 99/008; B43M 99/009; B42D 3/12; B42D 3/16; B42D 3/18; B43K 23/001; B43K 23/002; A47B 55/00; A47B 63/00
See application file for complete search history.

D185,103	S	*	5/1959	Sutton	D6/678
3,029,548	A	*	4/1962	Braha	A47B 23/043
						248/455
3,198,475	A	*	8/1965	Flahive	A47B 23/043
						248/445
3,460,795	A	*	8/1969	Dahlin	A47B 23/044
						248/452
4,460,146	A	*	7/1984	Raggiotti	A47G 1/24
						248/456
4,739,960	A	*	4/1988	Adler	A47B 23/043
						24/511
D305,837	S	*	2/1990	Bowman	D19/91
4,948,082	A	*	8/1990	Pagano	A47B 23/044
						248/447.2
5,069,409	A	*	12/1991	Batson	A47B 19/00
						248/451
D361,092	S	*	8/1995	Batson	D19/65
D408,583	S	*	4/1999	McGehee	D27/195
D417,958	S	*	12/1999	West	D3/315
D418,544	S	*	1/2000	Hamilton	D19/90
D546,708	S	*	7/2007	Gaunce	D10/2
D571,407	S	*	6/2008	Dean	D19/91
8,100,376	B2	*	1/2012	Ye	A47B 23/043
						248/454

* cited by examiner

Primary Examiner — Elizabeth A. Albert
(74) *Attorney, Agent, or Firm* — Jeff Cameron

(57) **CLAIM**

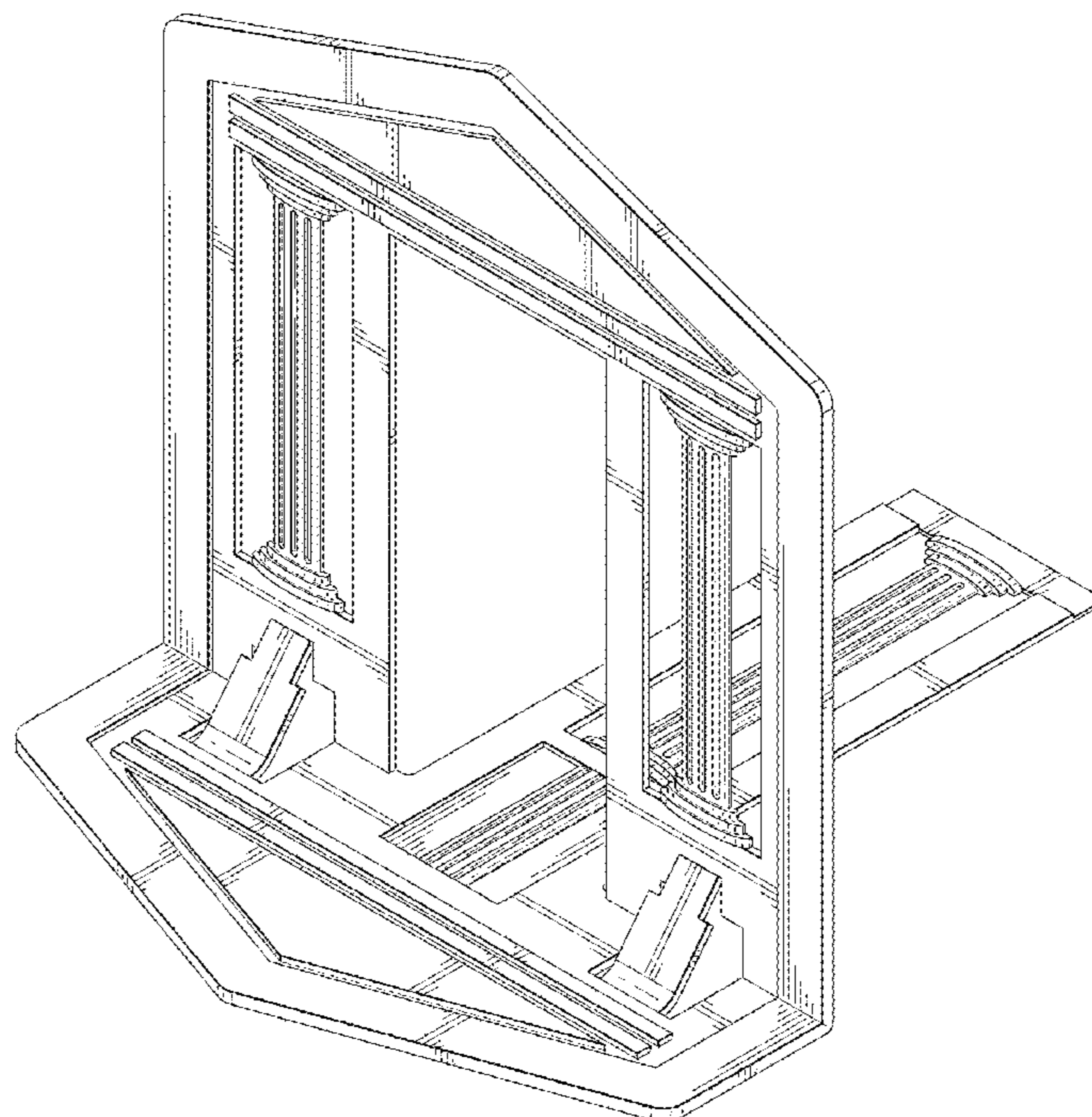
The ornamental design for a book support, as shown.

DESCRIPTION

FIG. 1 is a front perspective view of a book support showing our new design;
FIG. 2 is a side elevational view thereof; and,
FIG. 3 is a top plan view thereof.

1 Claim, 3 Drawing Sheets

- (56) **References Cited**
U.S. PATENT DOCUMENTS
D34,529 S * 5/1901 Berolzheimer D3/206
2,807,369 A * 9/1957 Stark A47B 19/00
211/2



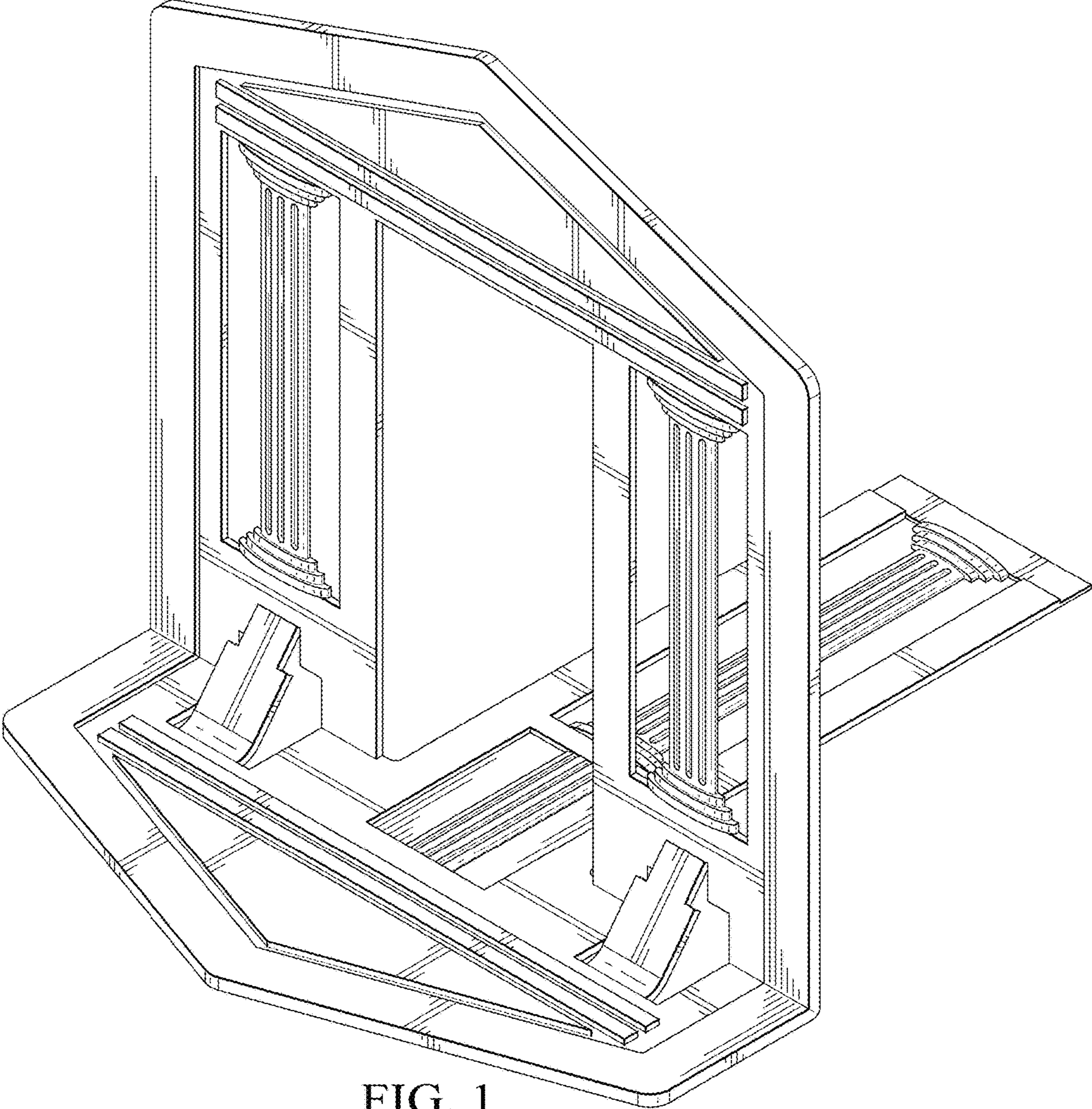


FIG. 1

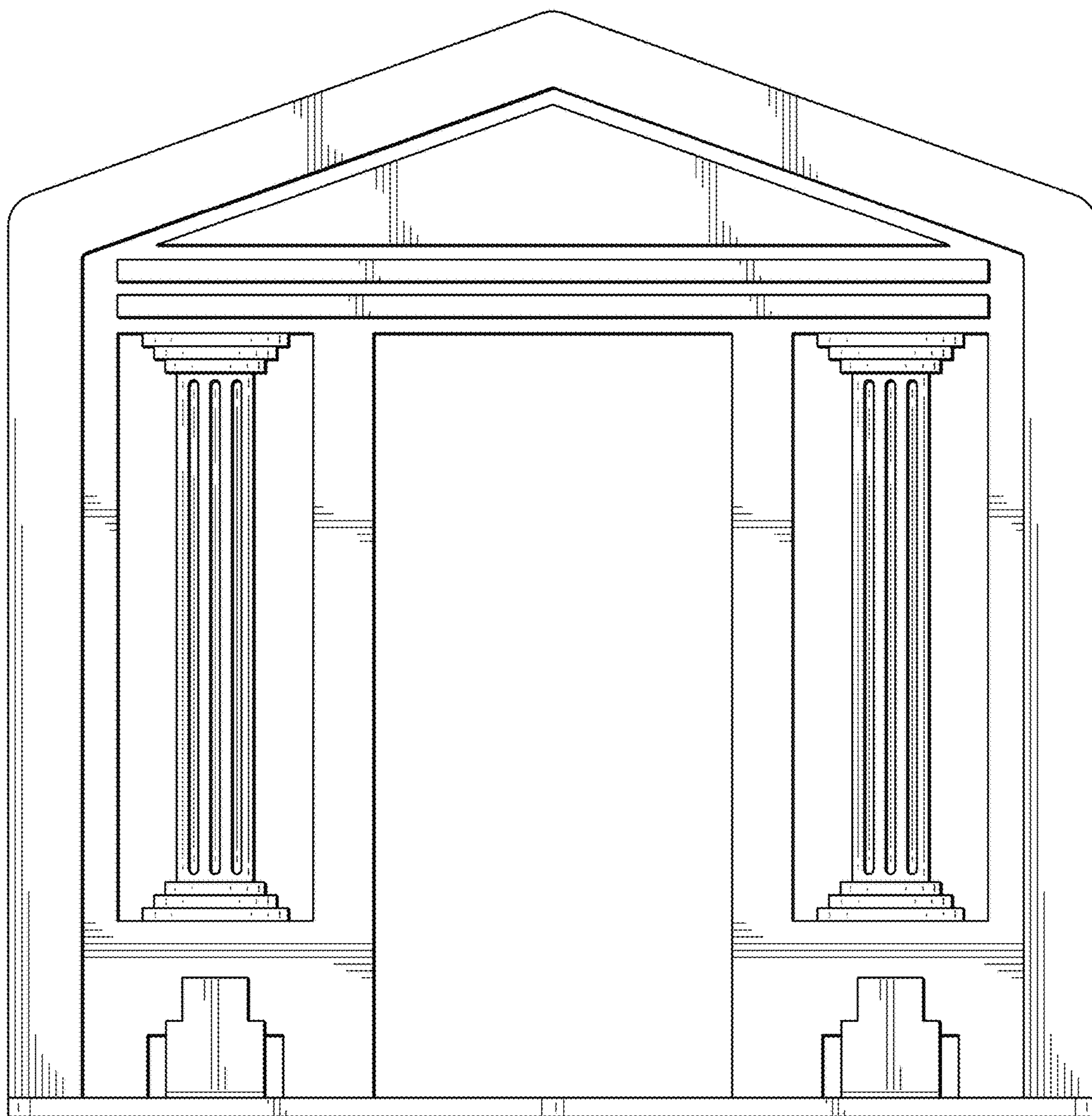


FIG. 2

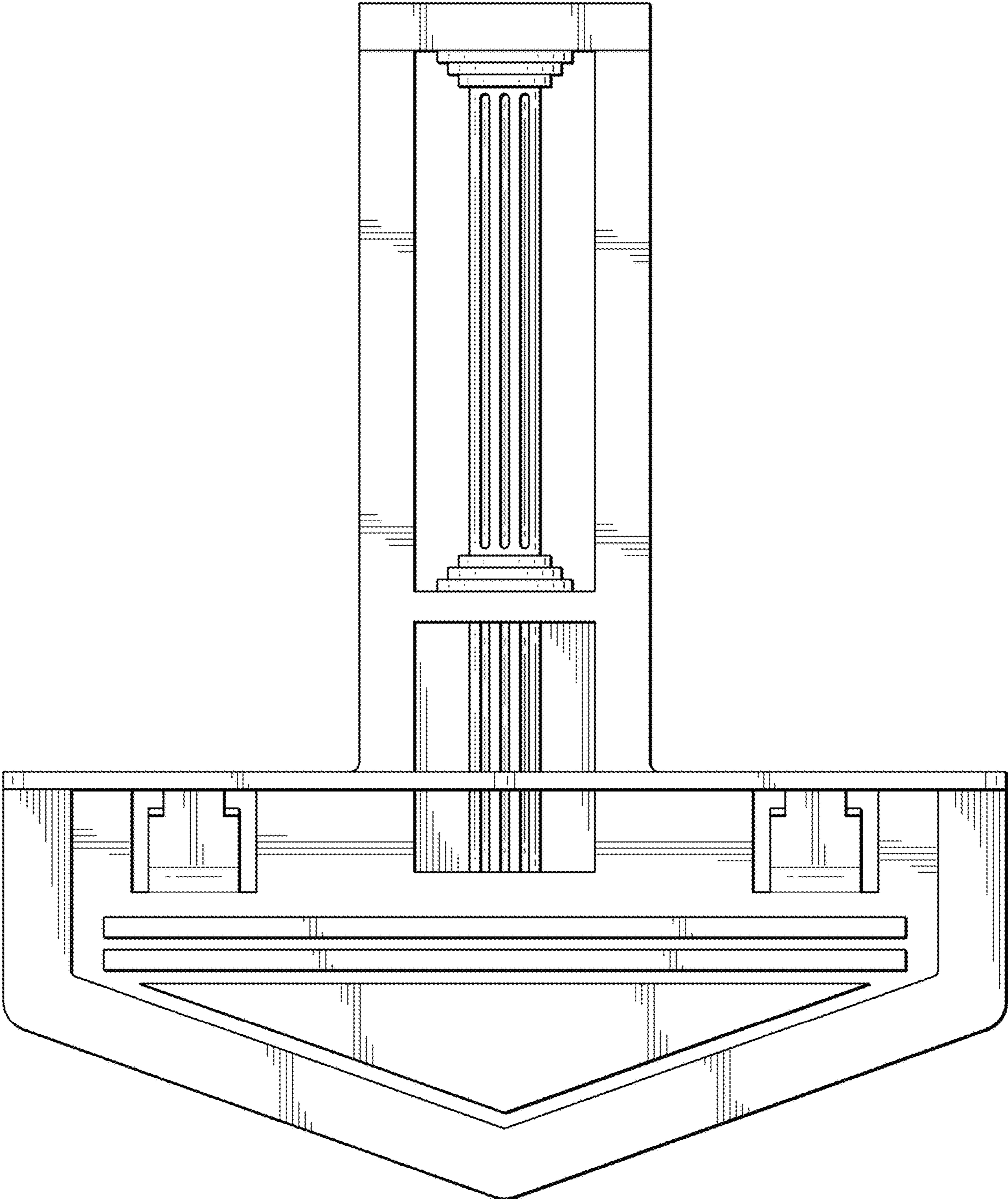


FIG. 3