



US00D903761S

(12) **United States Design Patent** (10) **Patent No.:** **US D903,761 S**  
**Hill** (45) **Date of Patent:** **\*\* \*Dec. 1, 2020**

(54) **ORGANIZER**

(71) Applicant: **Christine Hill**, Rockport, ME (US)

(72) Inventor: **Christine Hill**, Rockport, ME (US)

(\*) Notice: This patent is subject to a terminal disclaimer.

(\*\*) Term: **15 Years**

(21) Appl. No.: **29/698,027**

(22) Filed: **Jul. 12, 2019**

**Related U.S. Application Data**

(60) Continuation-in-part of application No. 29/677,265, filed on Jan. 18, 2019, now abandoned, which is a (Continued)

(51) **LOC (12) Cl.** ..... **19-02**

(52) **U.S. Cl.**  
USPC ..... **D19/86**

(58) **Field of Classification Search**  
USPC ..... D3/205, 206, 224, 226, 227, 228, 299,  
D3/902, 903, 269, 900; D4/108, 116;  
(Continued)

(56) **References Cited**

**U.S. PATENT DOCUMENTS**

1,321,274 A \* 11/1919 Barracks ..... A45C 3/06  
150/100  
1,429,608 A \* 9/1922 May ..... A45C 7/0095  
206/292

(Continued)

*Primary Examiner* — Elizabeth A. Albert

(74) *Attorney, Agent, or Firm* — Lisa Foundation Patent Law Clinic at Arizona State University

(57) **CLAIM**

The ornamental design for an organizer, as shown and described.

**DESCRIPTION**

FIG. 1 is a perspective view of a first embodiment of an unfolded organizer.

FIG. 2 is a top view thereof.

FIG. 3 is a bottom view thereof.

FIG. 4 is a back-side view thereof.

FIG. 5 is a front-side view thereof.

FIG. 6 is a left-side view thereof.

FIG. 7 is a right-side view thereof.

FIG. 8 is a perspective view of a first embodiment of a folded organizer.

FIG. 9 is a back-side view thereof.

FIG. 10 is a front-side view thereof.

FIG. 11 is a top view thereof.

FIG. 12 is a bottom view thereof.

FIG. 13 is a left-side view thereof.

FIG. 14 is a right-side view thereof.

FIG. 15 is a perspective view of a second embodiment of an unfolded organizer.

FIG. 16 is a top view thereof.

FIG. 17 is a bottom view thereof.

FIG. 18 is a back-side view thereof.

FIG. 19 is a front-side view thereof.

FIG. 20 is a left-side view thereof.

FIG. 21 is a right-side view thereof.

FIG. 22 is a perspective view of a second embodiment of a folded organizer.

FIG. 23 is a back-side view thereof.

FIG. 24 is a front-side view thereof.

FIG. 25 is a top view thereof.

FIG. 26 is a bottom view thereof.

FIG. 27 is a left-side view thereof.

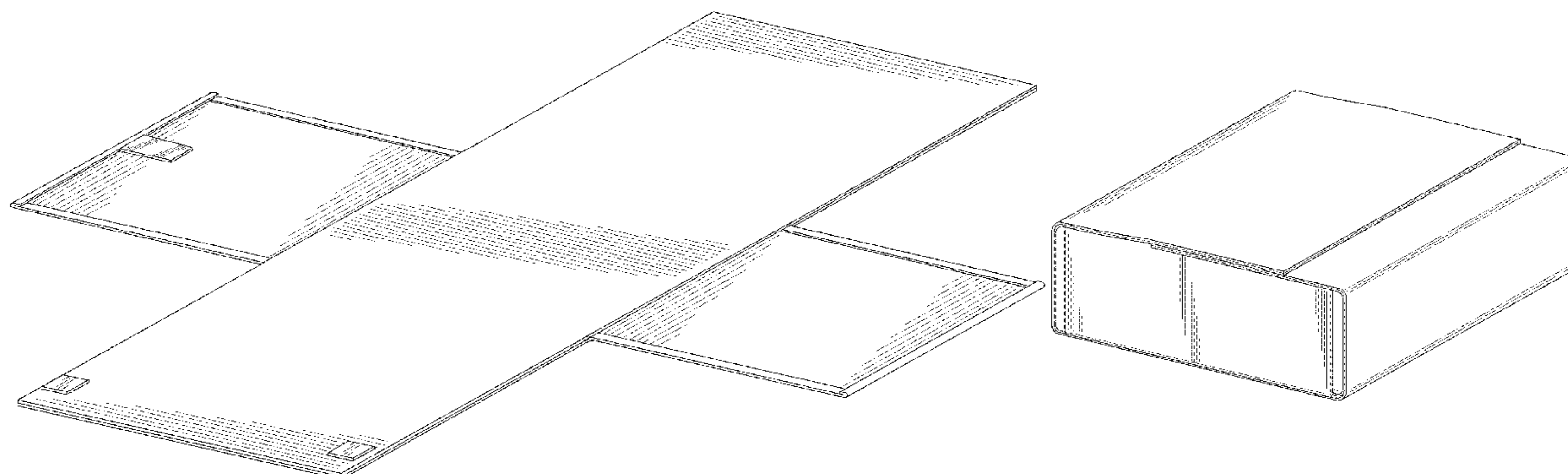
FIG. 28 is right-side view thereof.

FIG. 29 is a top view of the second embodiment of a partially folded organizer; and,

FIG. 30 is a top view of the first embodiment of a partially folded organizer.

The longer broken lines shown in the drawings represent portions of the organizer that form no part of the claimed design.

**1 Claim, 16 Drawing Sheets**



**Related U.S. Application Data**

division of application No. 29/600,646, filed on Apr. 13, 2017, now Pat. No. Des. 838,775.

(58) **Field of Classification Search**

USPC ..... D9/702, 703, 713, 721, 433; D19/105, D19/75, 86; D7/601, 607  
 CPC . A45C 11/24; A45C 11/26; A45C 2013/1015; A45C 13/02; A45C 7/00; A45C 7/0095; A45C 2007/0004; A45C 2007/0013; A42D 3/045

See application file for complete search history.

(56) **References Cited**

U.S. PATENT DOCUMENTS

1,754,663 A \* 4/1930 Adams ..... A45C 3/02  
 190/115  
 1,838,869 A \* 12/1931 Rieb ..... A45C 3/02  
 190/115  
 2,005,967 A \* 6/1935 Berdan ..... B65D 75/38  
 206/454  
 2,011,703 A \* 8/1935 Barker ..... B65D 65/06  
 206/424  
 2,104,352 A \* 1/1938 Overly ..... B65D 27/04  
 229/72  
 2,144,071 A \* 1/1939 Loth ..... B65D 81/03  
 206/455  
 2,175,387 A \* 10/1939 Goding ..... A47G 25/54  
 206/280  
 D122,523 S \* 9/1940 Schwartzman ..... D9/713  
 2,232,639 A \* 2/1941 Schwartzman ..... B65D 75/14  
 229/164.2  
 2,269,915 A \* 1/1942 Porter ..... B65D 65/08  
 229/87.15  
 2,353,932 A \* 7/1944 Schaffer ..... A45C 11/008  
 132/312  
 2,446,009 A \* 7/1948 Hyman ..... A24F 15/18  
 150/139  
 2,511,533 A \* 6/1950 Hyman ..... A45C 1/06  
 150/139  
 3,262,283 A \* 7/1966 Taylor ..... F25D 3/08  
 62/372  
 3,314,464 A \* 4/1967 Veilleux ..... B42D 3/045  
 150/154  
 3,381,889 A \* 5/1968 Laskow ..... B65D 75/14  
 229/87.19  
 3,570,570 A \* 3/1971 Winner ..... A45C 13/03  
 294/137

3,664,572 A \* 5/1972 Puchkoff et al. .... B65D 5/18  
 229/103.2  
 D236,552 S \* 8/1975 Wagner ..... D3/299  
 4,126,213 A \* 11/1978 McDonald ..... A45C 7/0027  
 190/18 A  
 D278,098 S \* 3/1985 Velkas ..... D3/319  
 4,627,223 A \* 12/1986 Janhonen ..... B65D 75/38  
 53/449  
 D297,283 S \* 8/1988 Gray ..... D3/299  
 4,881,684 A \* 11/1989 Chinman ..... A45C 3/00  
 190/115  
 D316,108 S \* 4/1991 Gerriet ..... D19/26  
 D321,306 S \* 11/1991 Behar ..... D7/607  
 5,219,071 A \* 6/1993 Knapp ..... A45C 11/16  
 206/479  
 5,388,689 A \* 2/1995 Kroop ..... A45C 11/34  
 206/1.7  
 D356,334 S \* 3/1995 Kroop ..... D19/78  
 5,477,965 A \* 12/1995 Herbeck ..... A45C 7/0095  
 150/154  
 5,607,054 A \* 3/1997 Hollingsworth ..... G06F 1/1628  
 206/305  
 D423,572 S \* 4/2000 Tedaldi ..... D19/26  
 6,457,635 B1 \* 10/2002 Scicluna ..... A45C 13/03  
 206/278  
 6,672,035 B1 \* 1/2004 Simonsen ..... B65D 5/5028  
 206/460  
 6,871,739 B2 \* 3/2005 Lopez ..... A45C 7/0095  
 190/107  
 D515,588 S \* 2/2006 Kirkwood ..... D14/440  
 D531,409 S \* 11/2006 Tullmann ..... D3/299  
 D604,045 S \* 11/2009 Schantz ..... D3/299  
 D626,333 S \* 11/2010 Orion ..... D3/276  
 D688,307 S \* 8/2013 Jour ..... D19/86  
 D696,556 S \* 12/2013 Pattison ..... D7/601  
 D699,079 S \* 2/2014 Lloyd ..... D7/601  
 8,783,546 B2 \* 7/2014 Uyehara ..... B65D 65/06  
 150/154  
 D741,064 S \* 10/2015 Ramos ..... D3/299  
 9,565,914 B1 \* 2/2017 Marraccini ..... A45C 13/02  
 D786,062 S \* 5/2017 Ogdon ..... D9/432  
 D820,269 S \* 6/2018 Peterson ..... D14/458  
 D841,484 S \* 2/2019 Hill ..... D9/713  
 10,561,211 B2 \* 2/2020 Leitermann ..... A45C 7/0095  
 2005/0067319 A1 \* 3/2005 Wei ..... G06F 1/1613  
 206/576  
 2010/0089778 A1 \* 4/2010 Park ..... A45C 7/0095  
 206/320  
 2017/0112249 A1 \* 4/2017 Peterson ..... A45C 11/00  
 2019/0045896 A1 \* 2/2019 Leitermann ..... B42D 3/10

\* cited by examiner



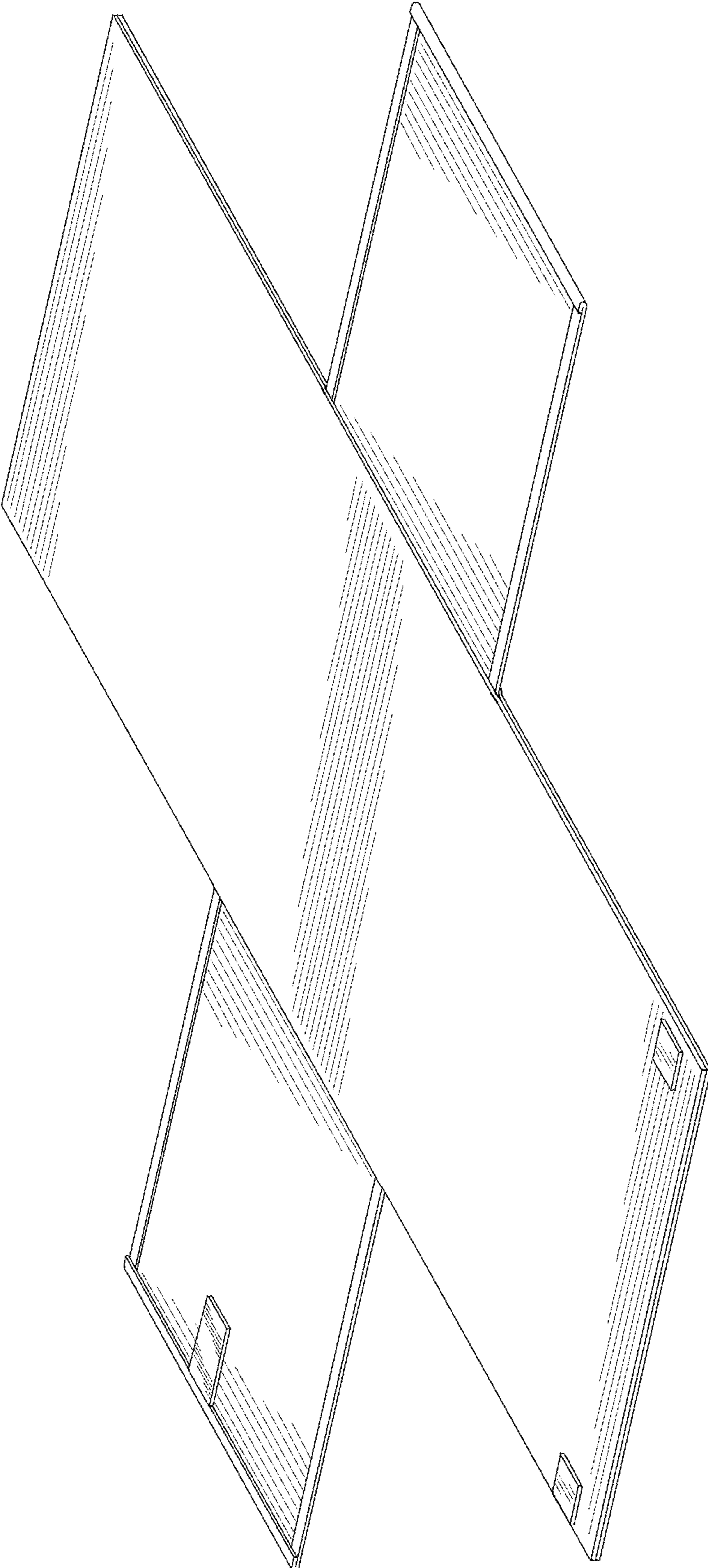


FIG. 1

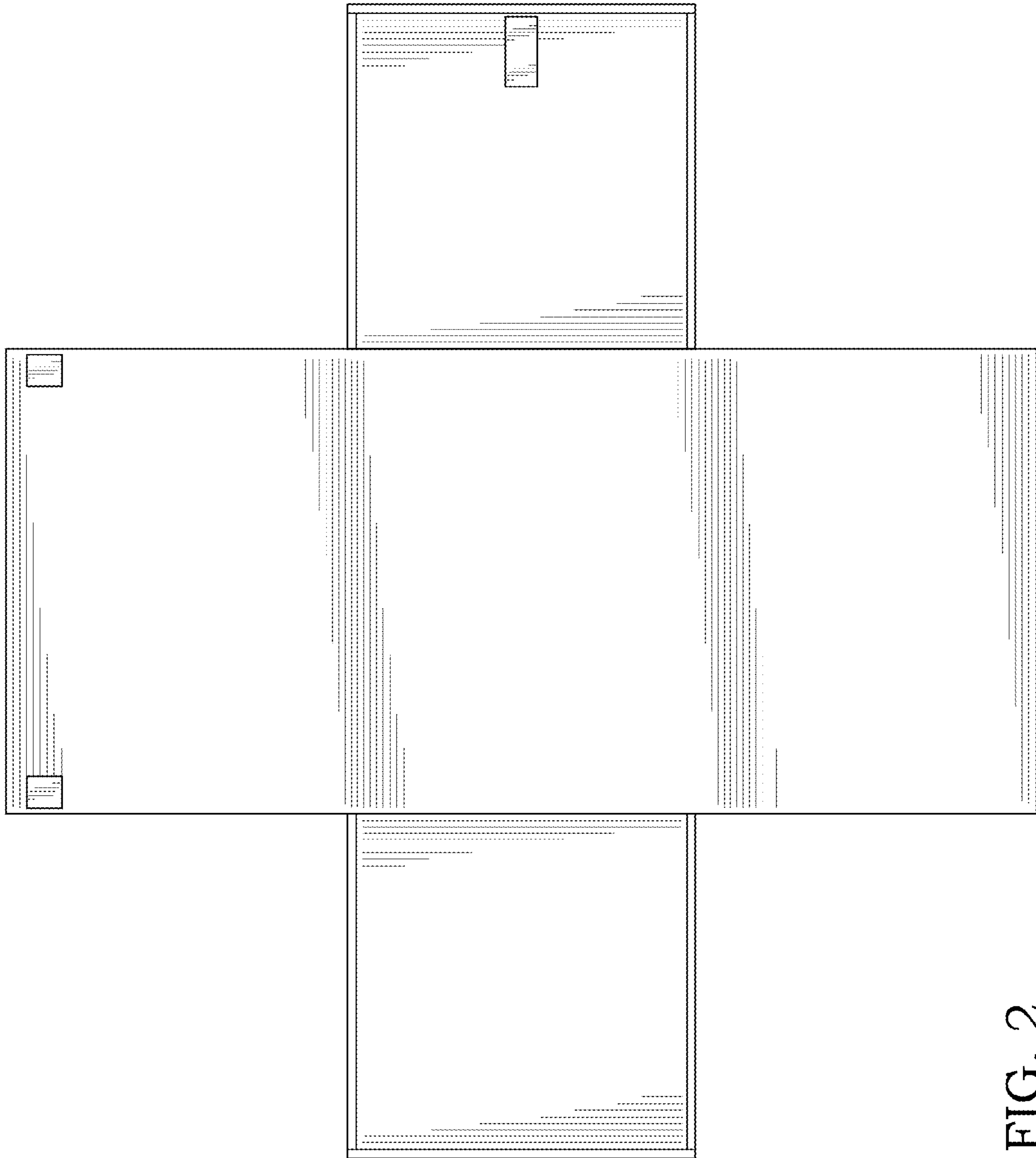


FIG. 2

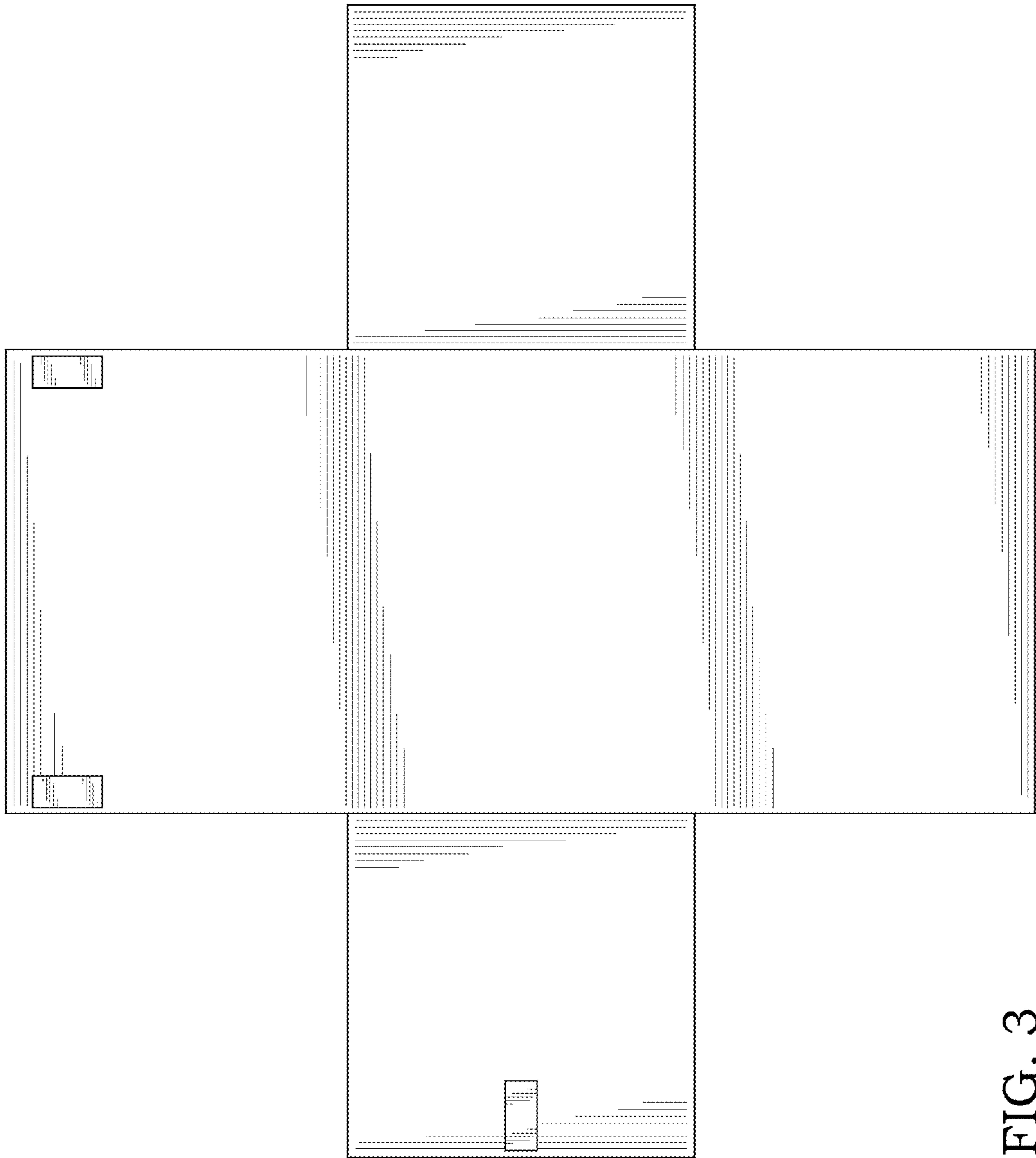


FIG. 3

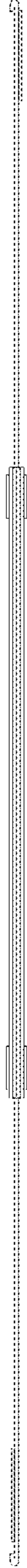


FIG. 4



FIG. 5



FIG. 6



FIG. 7

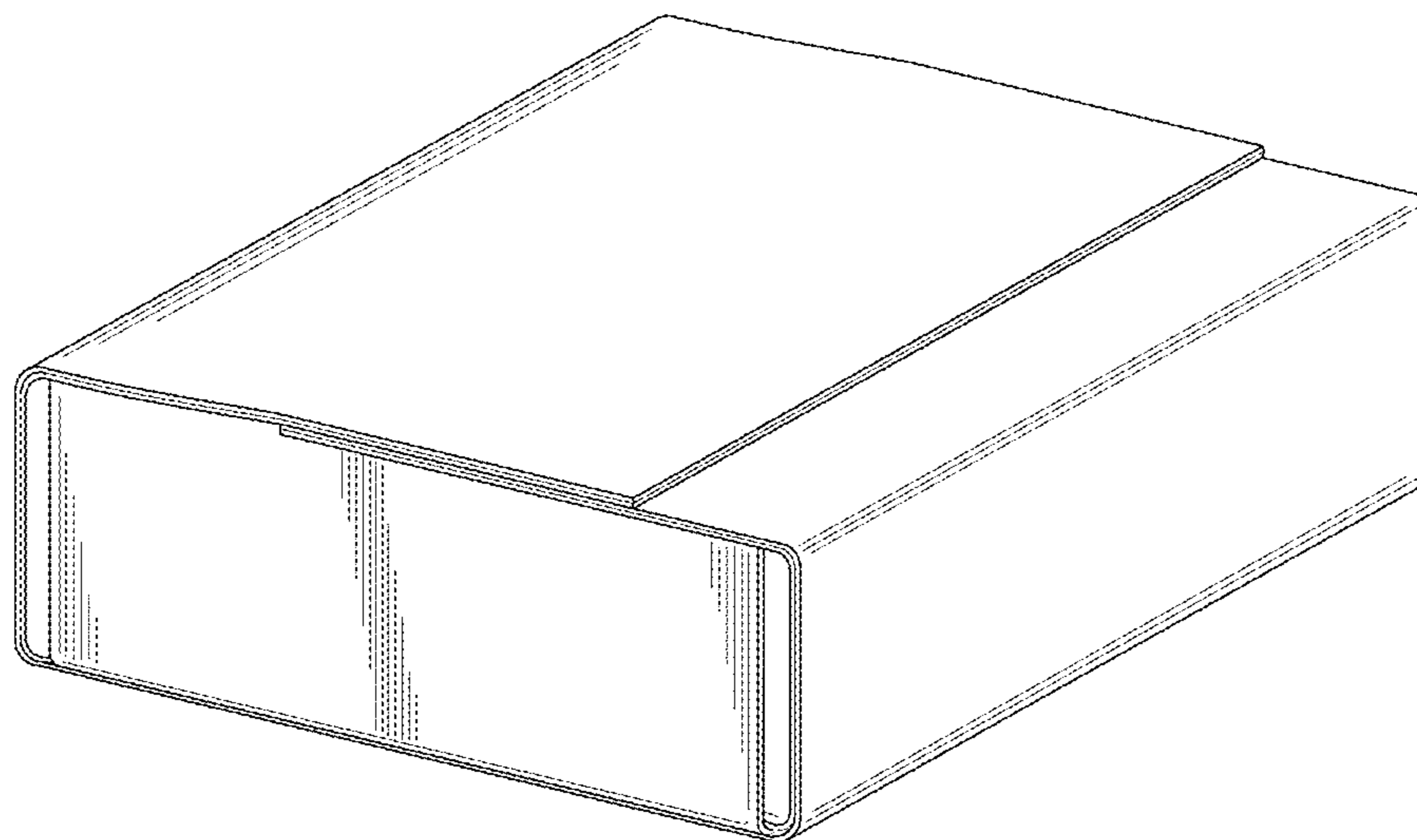


FIG. 8

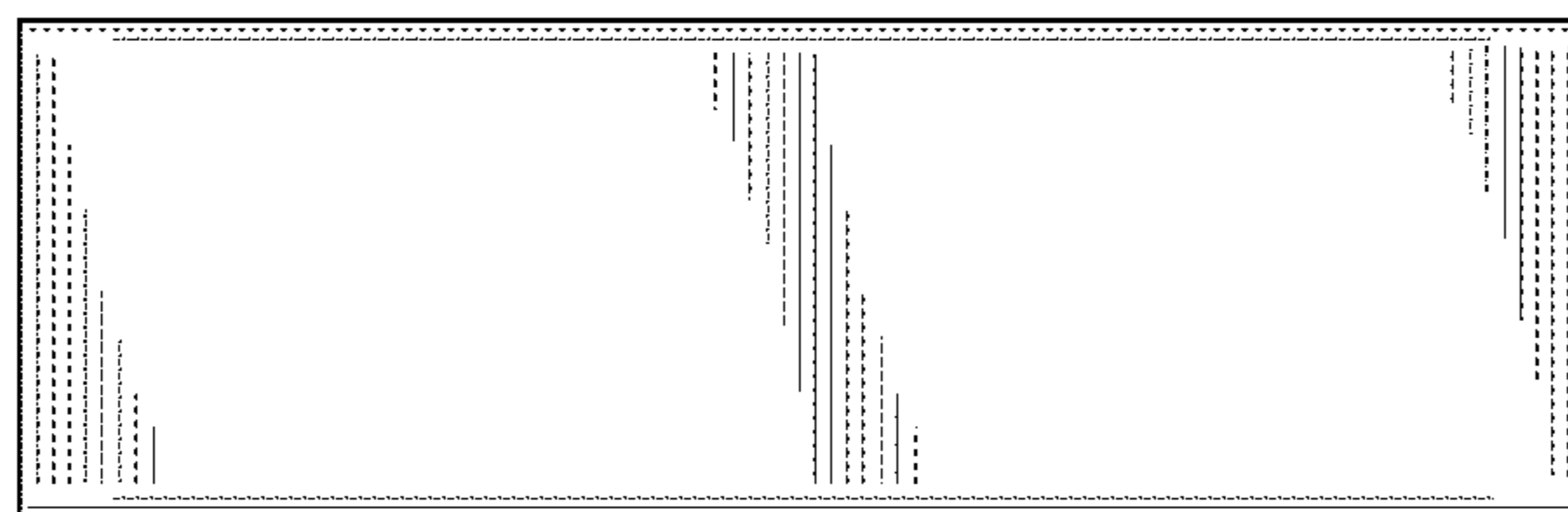


FIG. 9

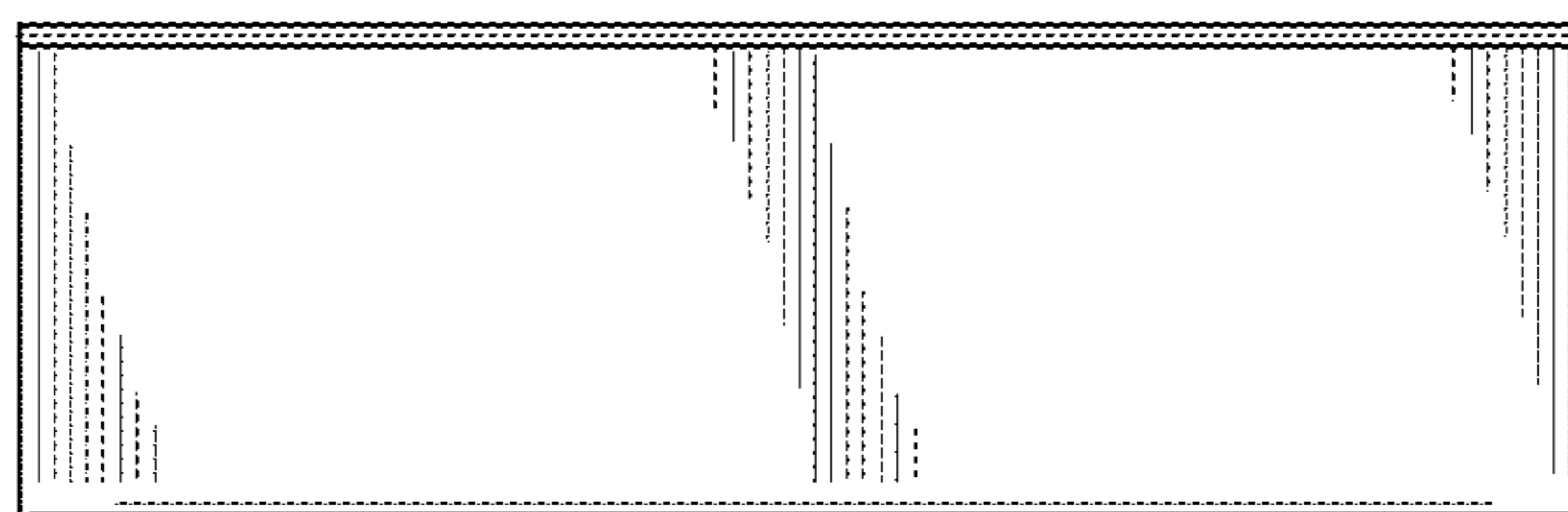


FIG. 10



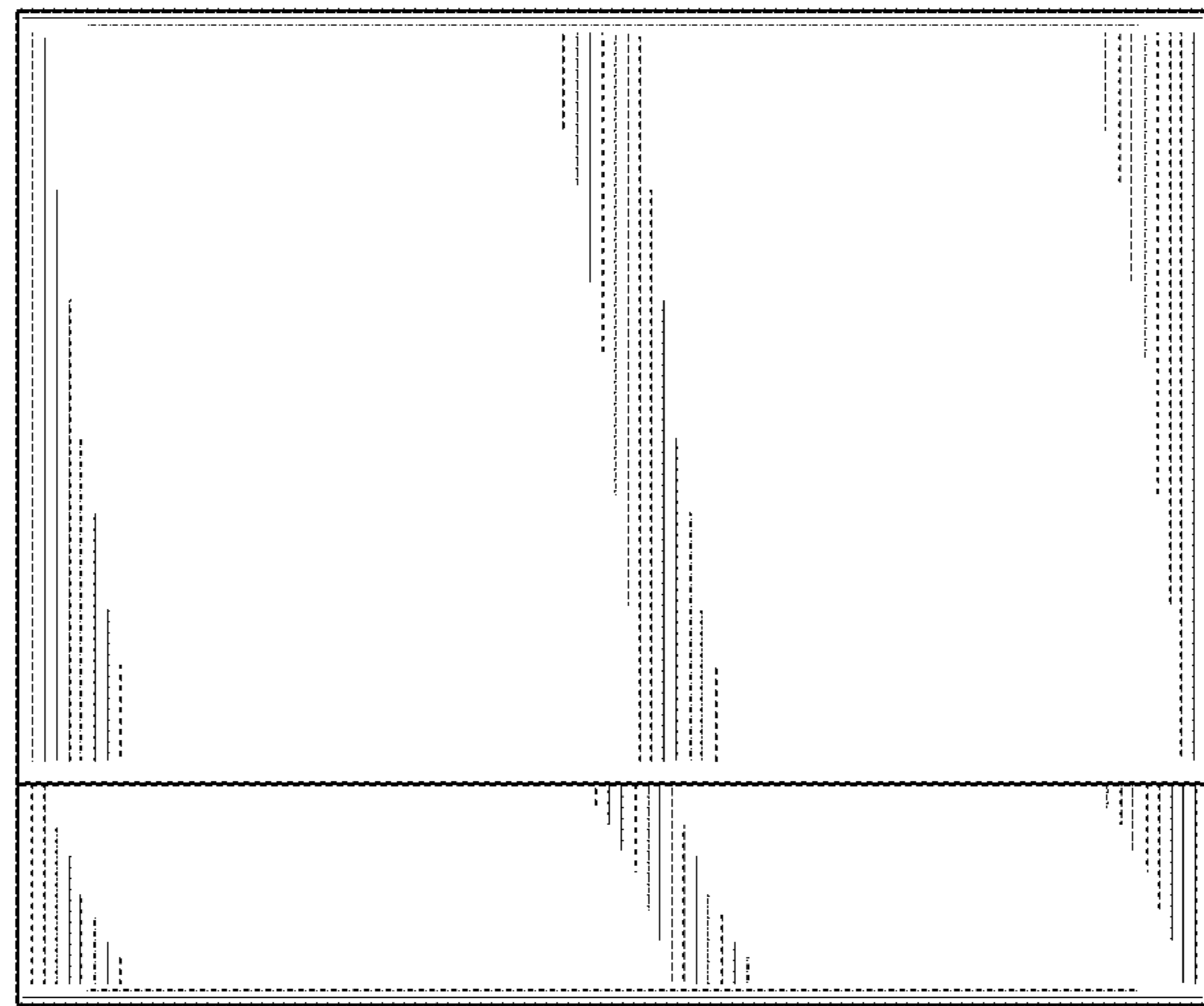


FIG. 11

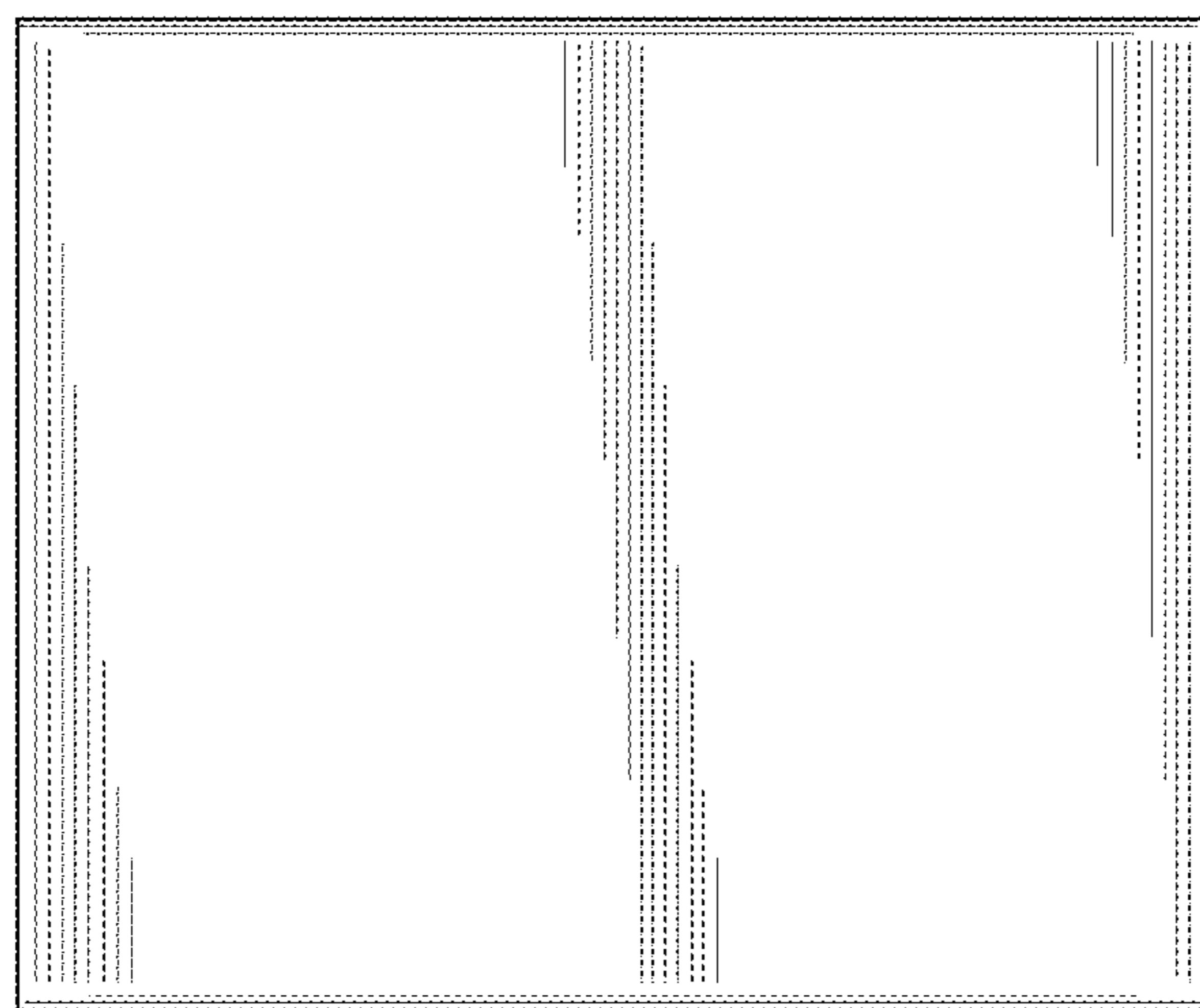


FIG. 12

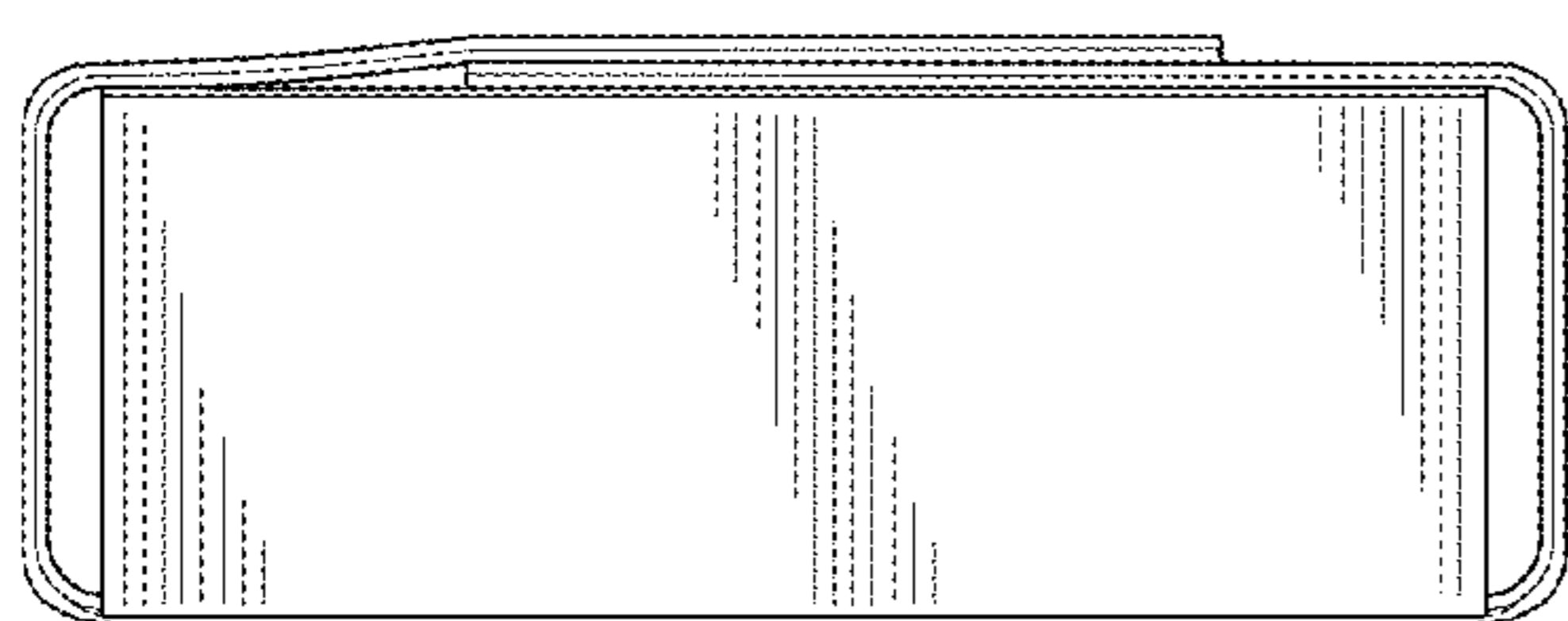


FIG. 13

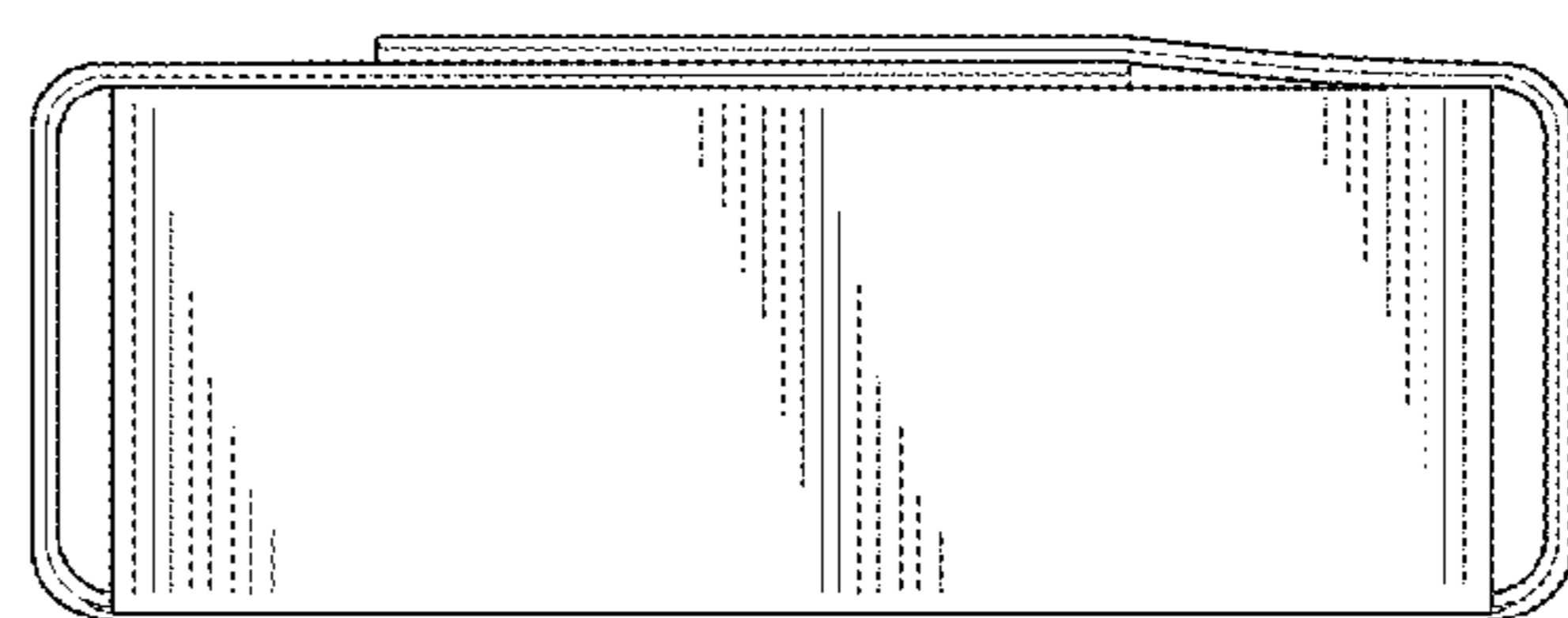


FIG. 14

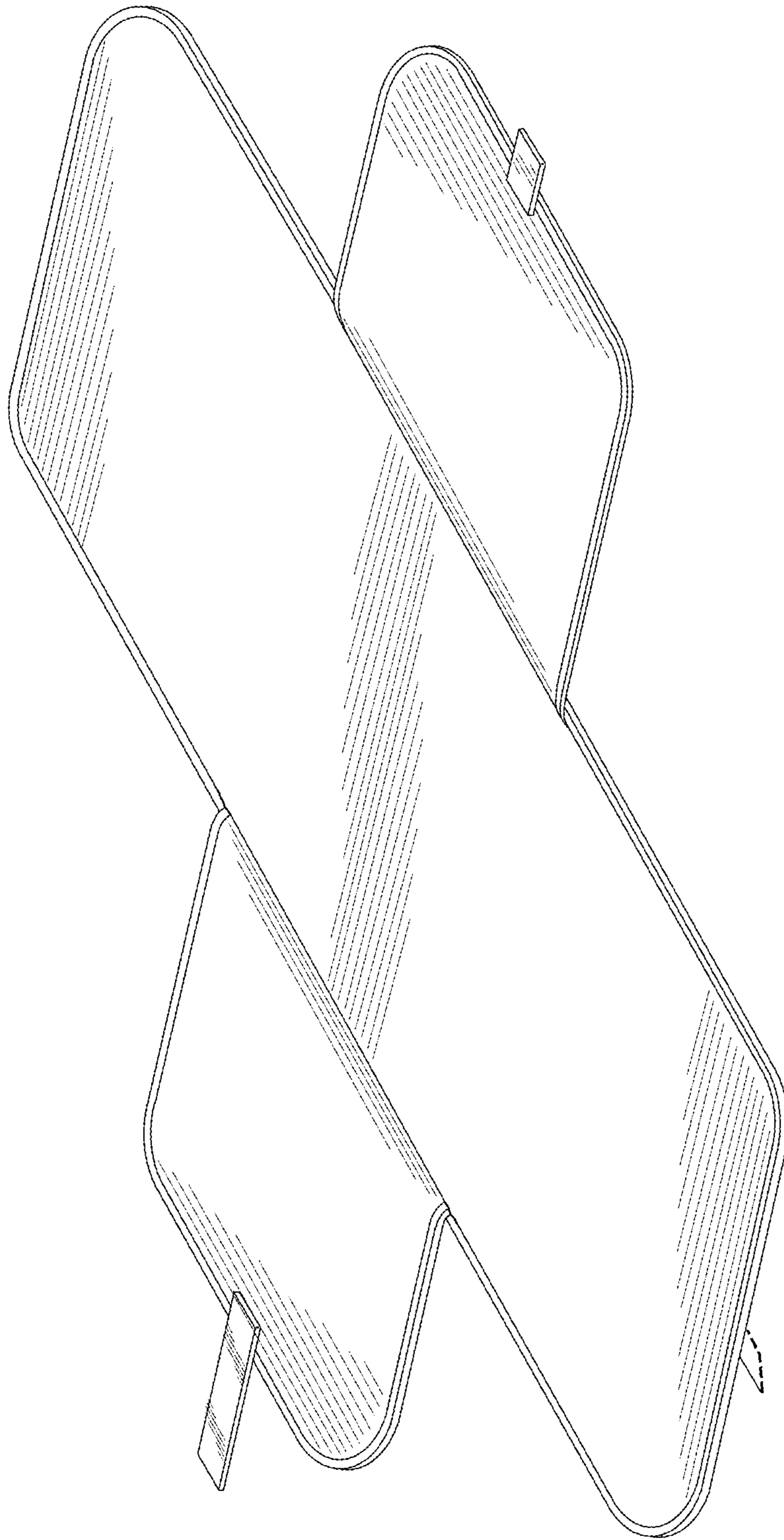


FIG. 15

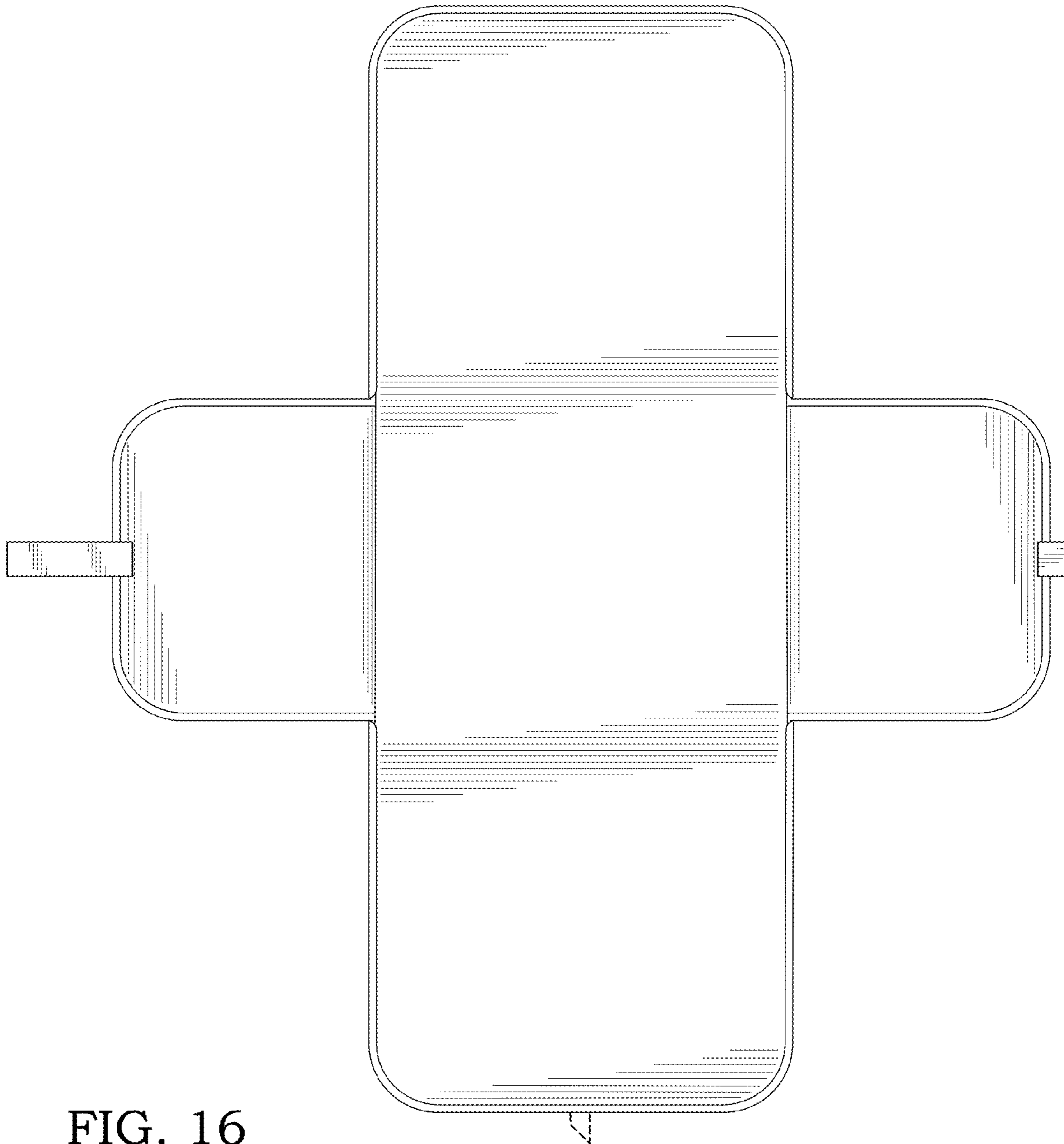


FIG. 16

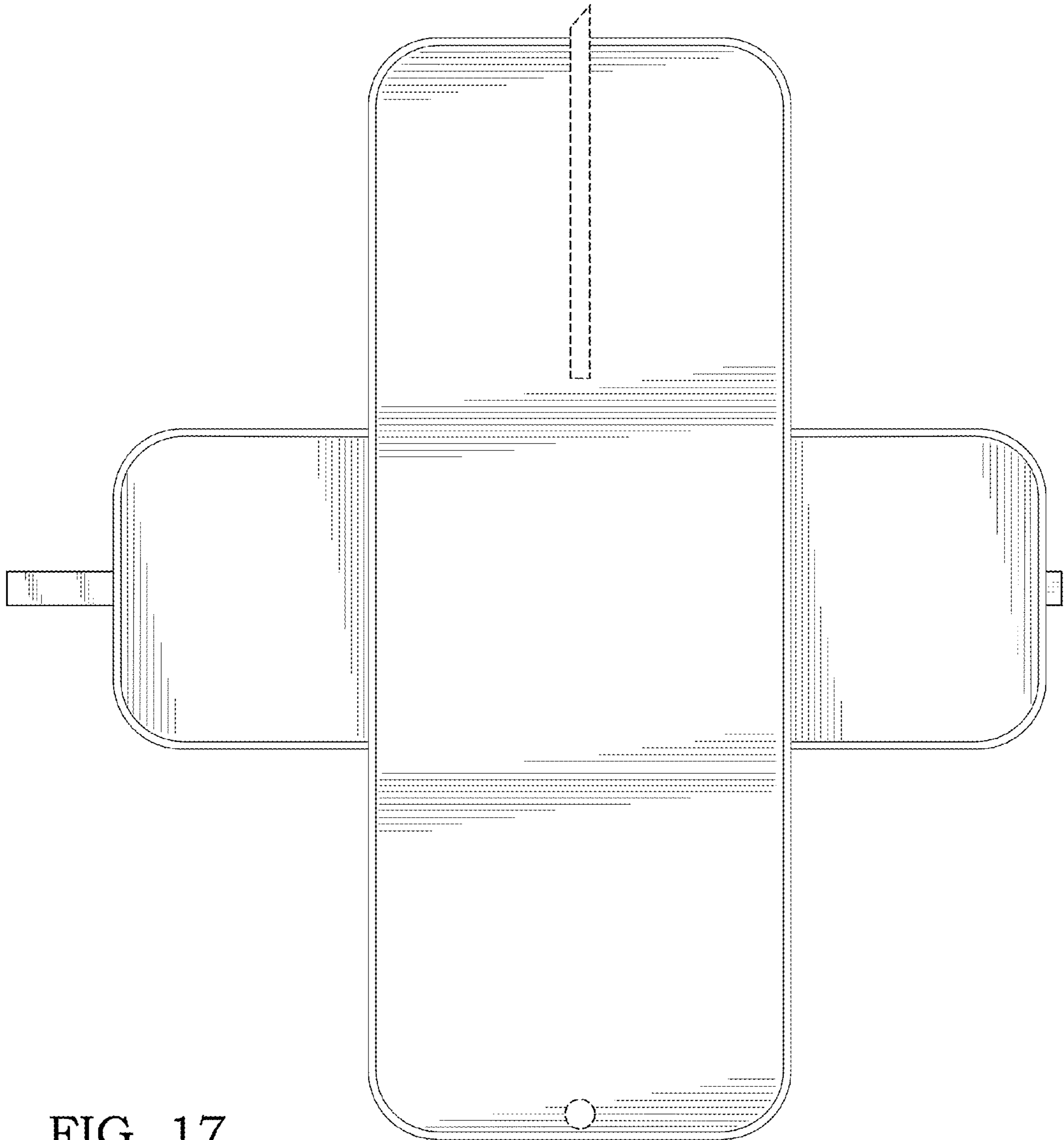


FIG. 17

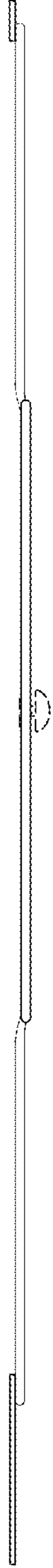


FIG. 18

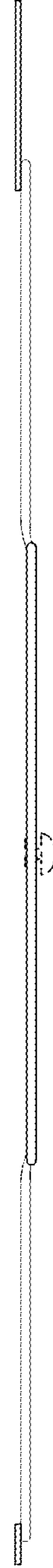


FIG. 19



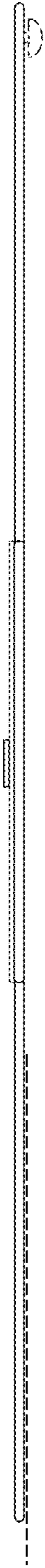


FIG. 20

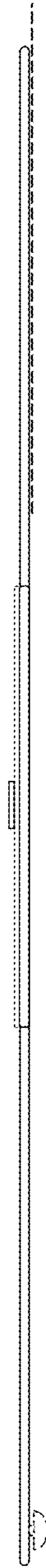


FIG. 21

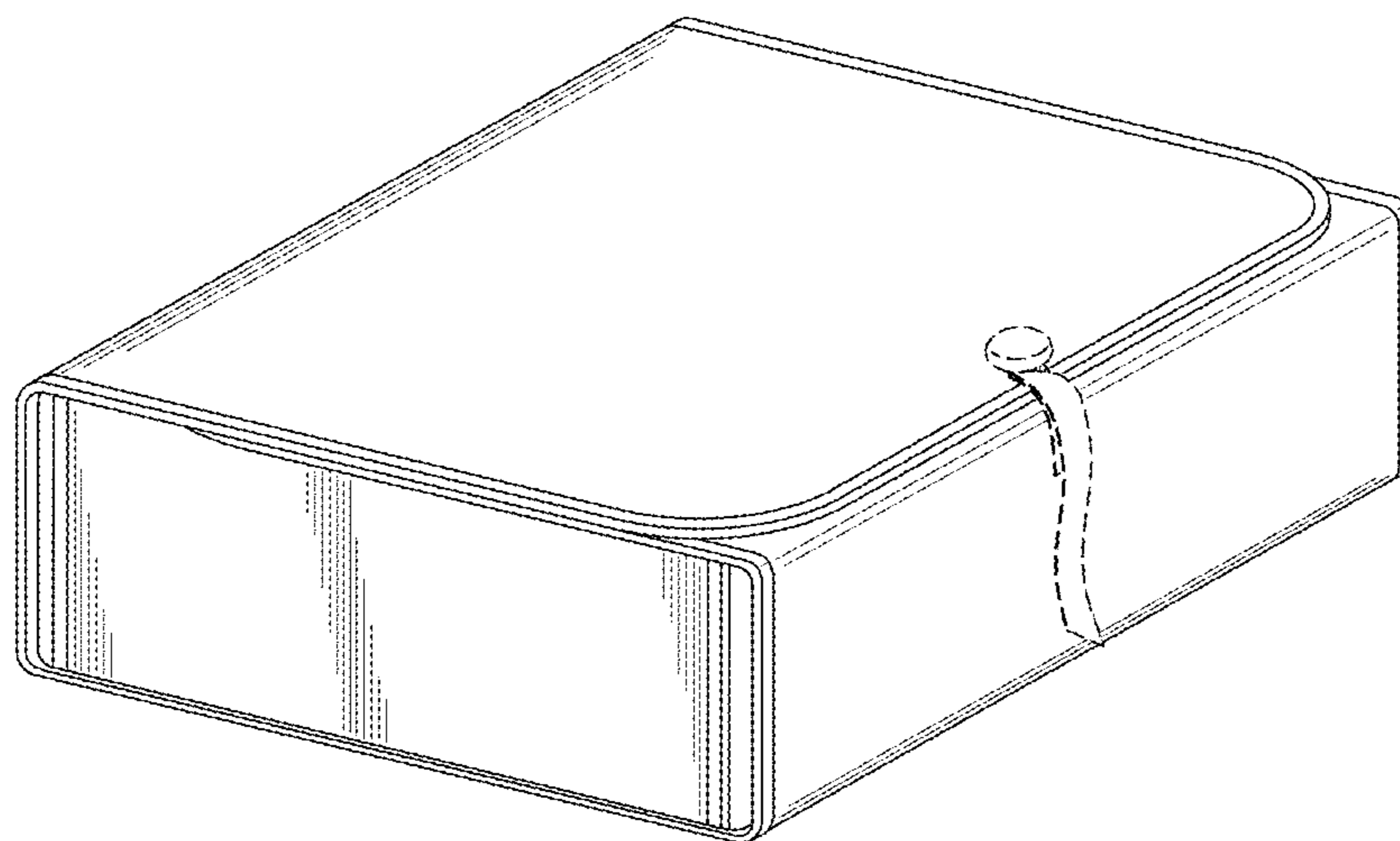


FIG. 22

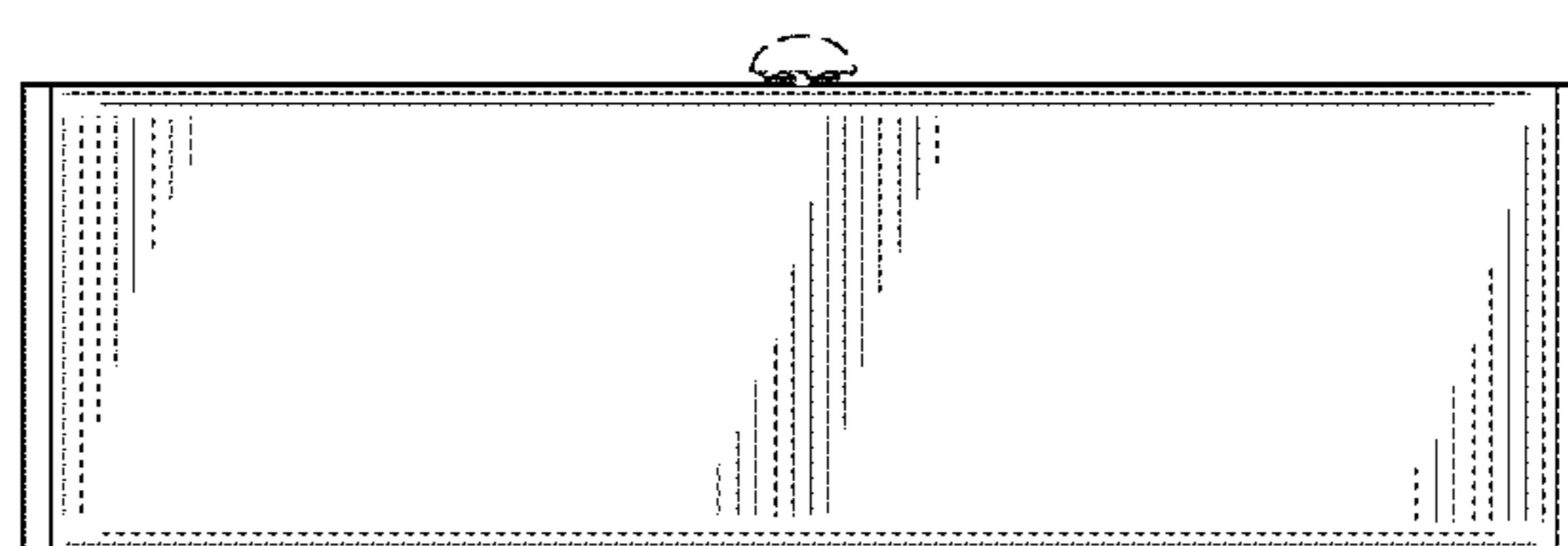


FIG. 23

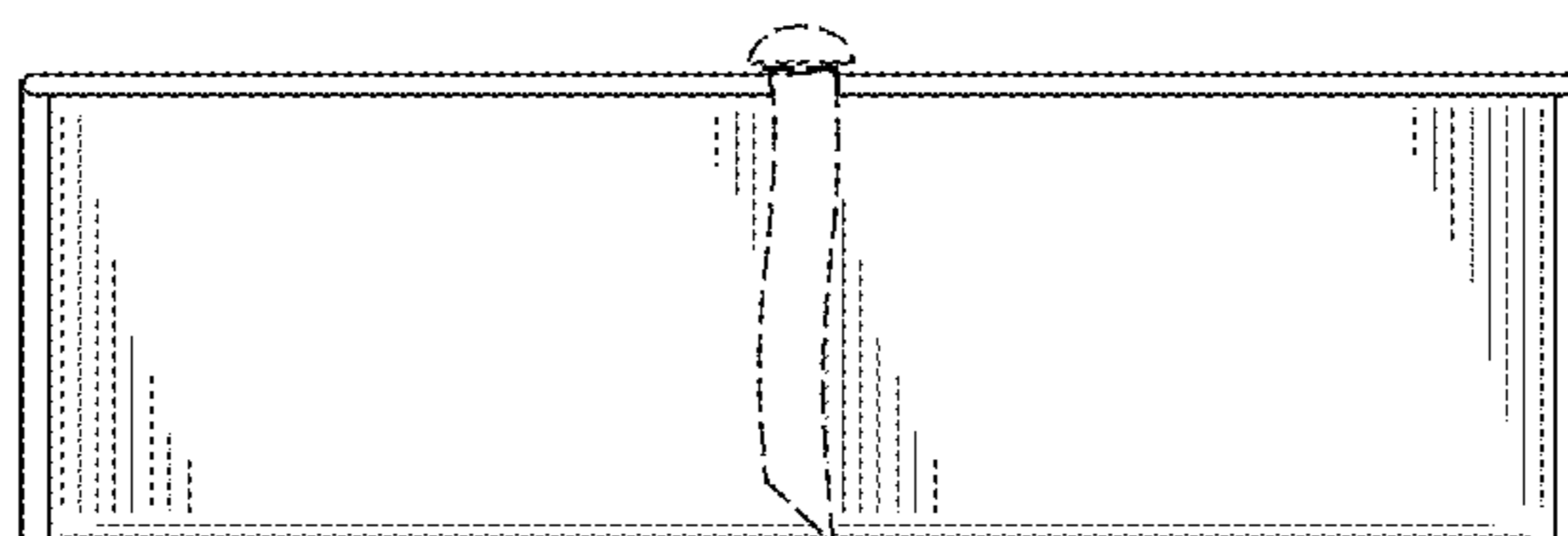


FIG. 24

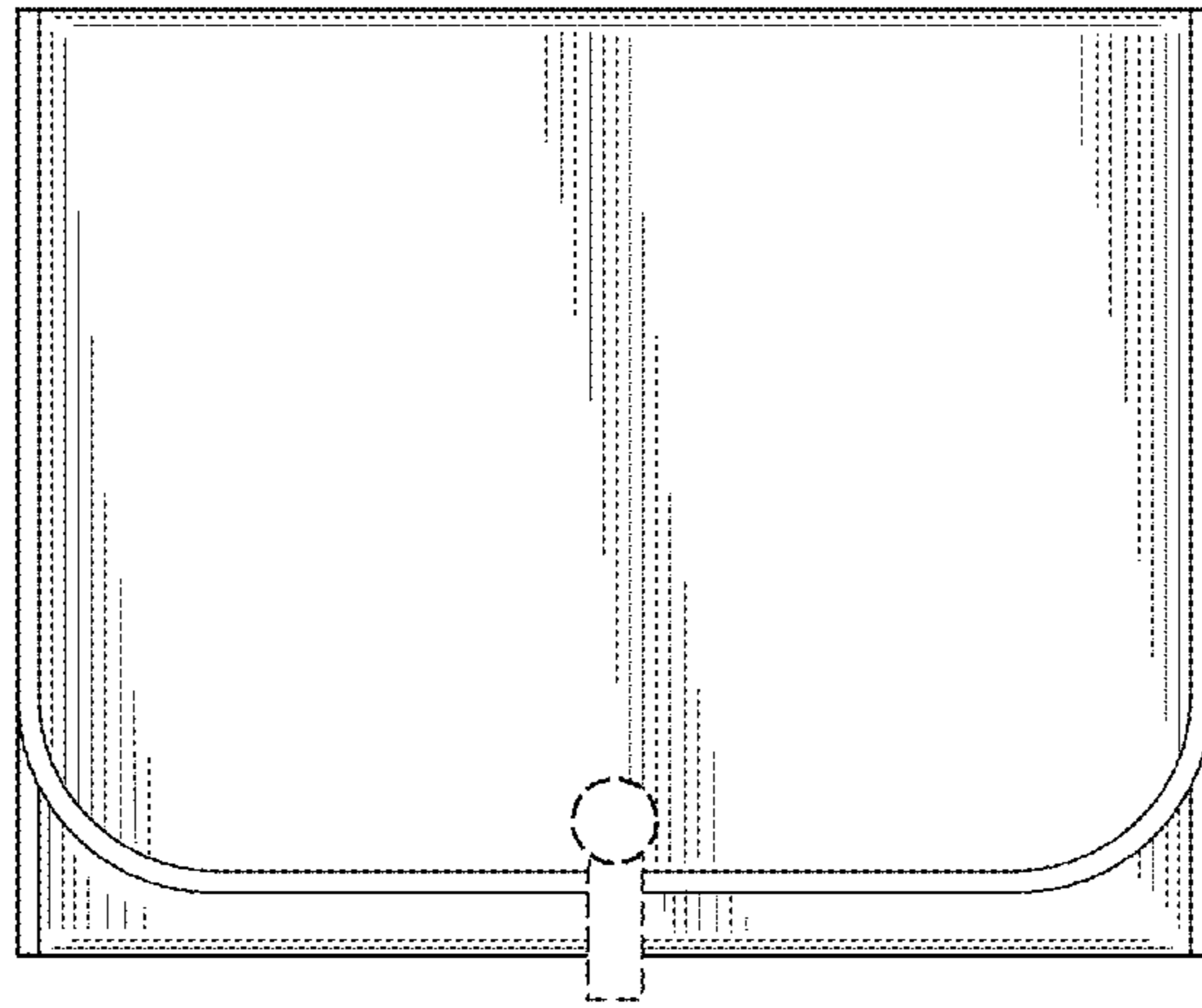


FIG. 25

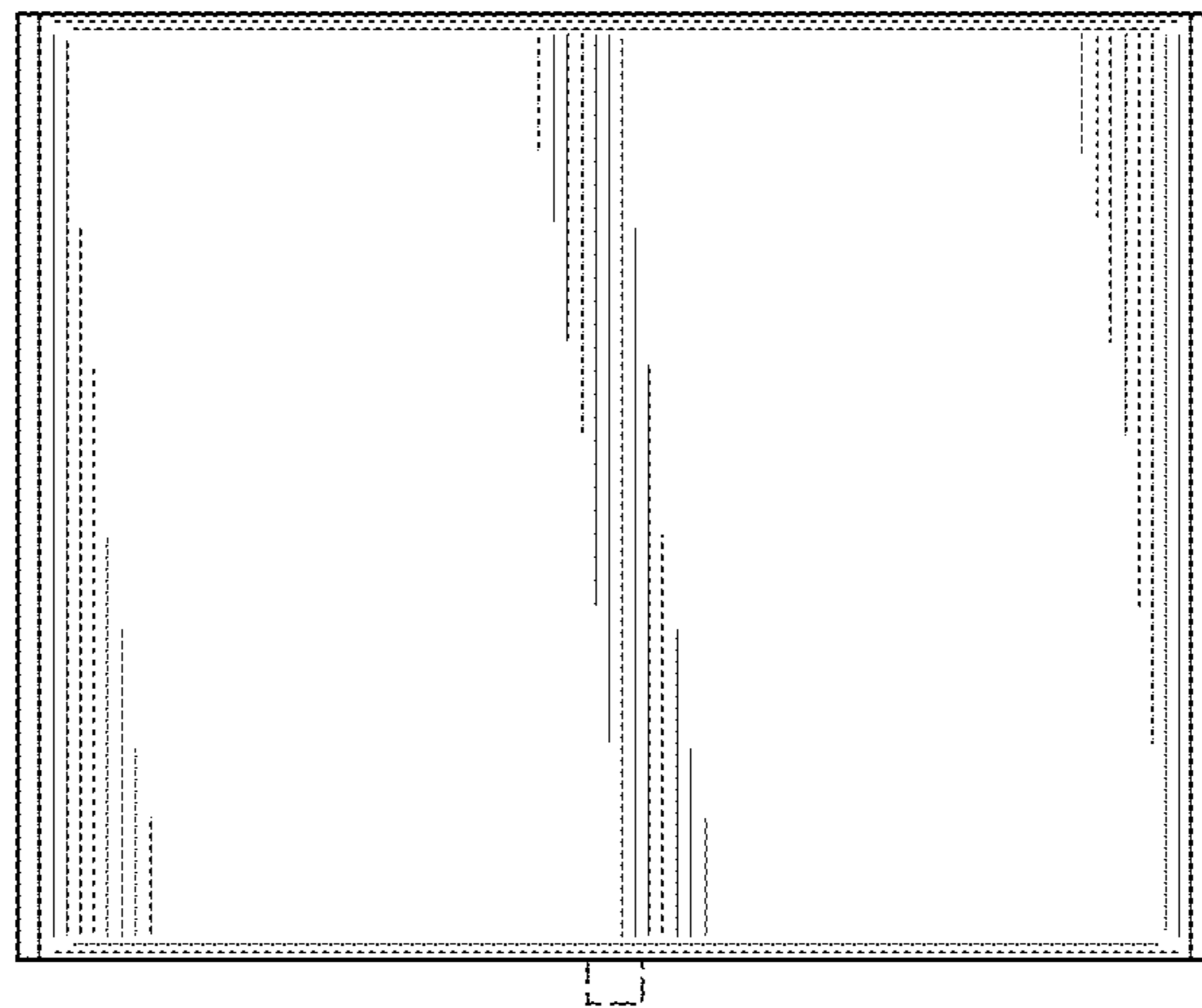


FIG. 26

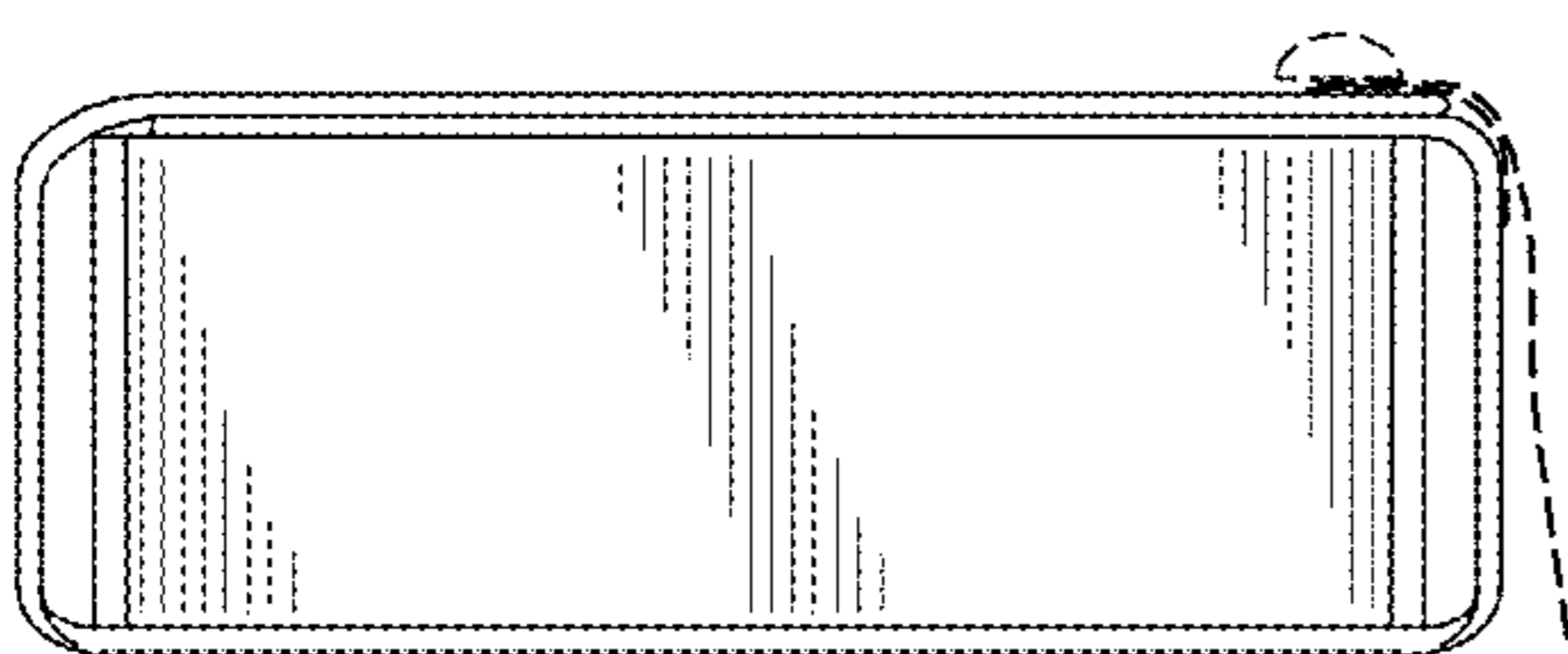


FIG. 27

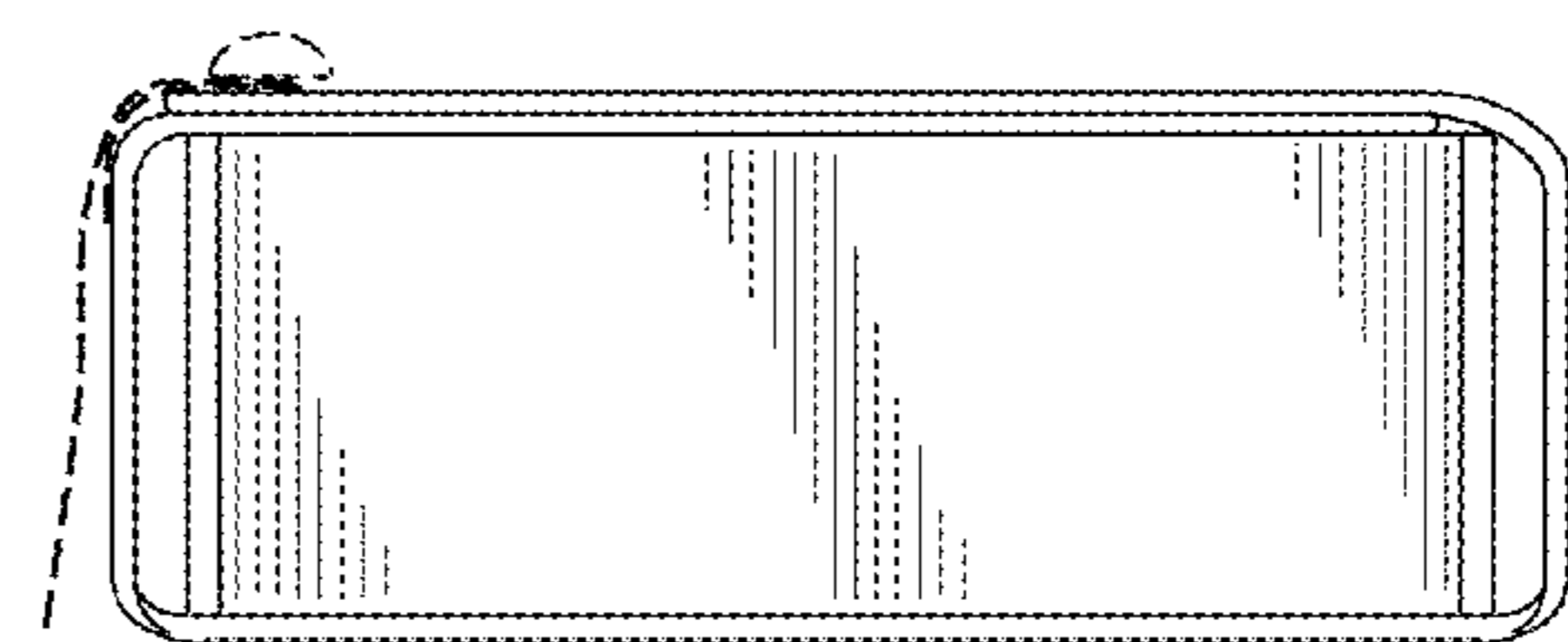


FIG. 28

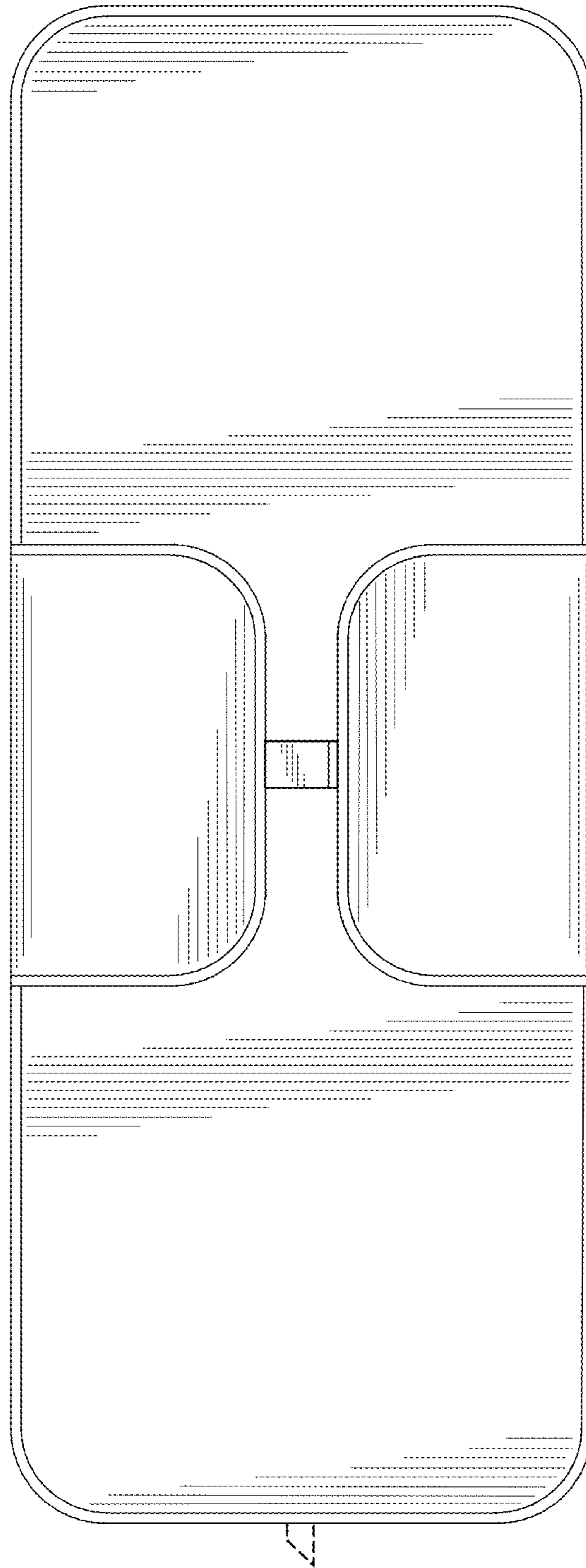


FIG. 29

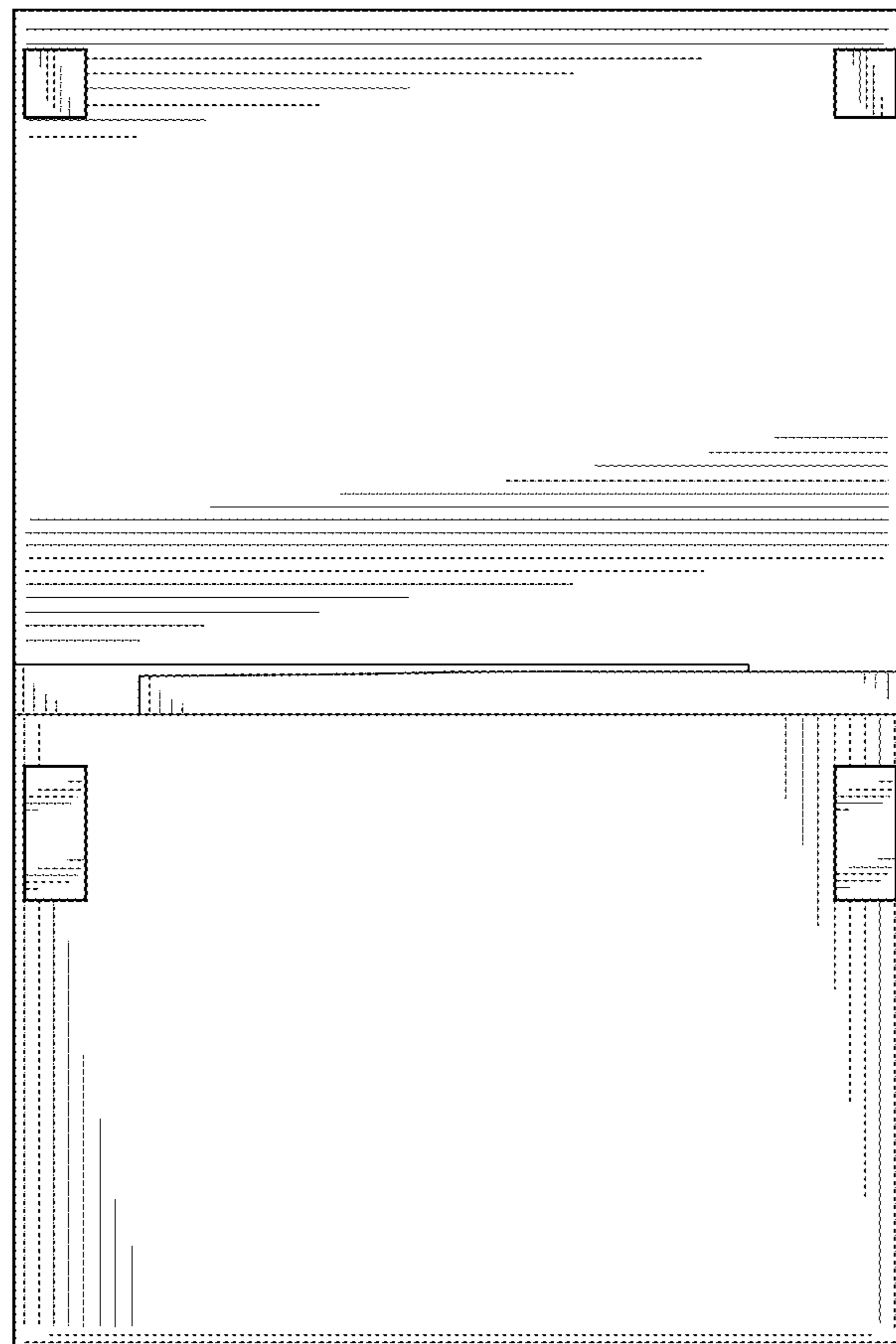


FIG. 30