

US00D903758S

(12) **United States Design Patent**  
**Odachi**

(10) **Patent No.:** **US D903,758 S**  
(45) **Date of Patent:** **\*\* Dec. 1, 2020**

(54) **PRINTER**  
(71) Applicant: **CANON KABUSHIKI KAISHA,**  
Tokyo (JP)  
(72) Inventor: **Ayaka Odachi,** Tokyo (JP)  
(73) Assignee: **Canon Kabushiki Kaisha,** Tokyo (JP)  
(\*\*) Term: **15 Years**

D600,237 S 9/2009 Kwon et al.  
D701,235 S 3/2014 Hatta  
D709,521 S 7/2014 Choi et al.  
D739,830 S 9/2015 Spira  
D744,028 S 11/2015 Odachi  
D752,632 S 3/2016 Seo et al.  
D753,699 S 4/2016 Tsukamoto  
D766,922 S 9/2016 Osotio et al.

(Continued)

(21) Appl. No.: **29/733,219**  
(22) Filed: **Apr. 30, 2020**

**FOREIGN PATENT DOCUMENTS**

JP D1563044 S 11/2016  
JP 2017-001249 A 1/2017

(Continued)

**Related U.S. Application Data**

(62) Division of application No. 35/506,664, filed on Oct. 15, 2018 (U.S. filing date under 35 U.S.C. 384), and having an international filing date of Oct. 15, 2018.

**Foreign Application Priority Data**

Apr. 25, 2018 (JP) ..... 2018009135  
Apr. 25, 2018 (JP) ..... 2018009136

(51) **LOC (12) Cl.** ..... **18-02**  
(52) **U.S. Cl.**  
USPC ..... **D18/56**

(58) **Field of Classification Search**  
USPC ..... D10/81, 96, 103; D13/158, 169, 174;  
D18/36, 41, 56, 40  
CPC . B41J 3/4075; B41J 11/58; B41J 15/12; B41J  
15/42; B41J 17/00; B41J 29/08; B41J  
29/02  
See application file for complete search history.

(56) **References Cited**

**U.S. PATENT DOCUMENTS**

D402,222 S \* 12/1998 Kunz ..... D10/103  
D556,768 S 12/2007 Morris  
D558,277 S 12/2007 Luciano, Jr. et al.

**OTHER PUBLICATIONS**

Screenshot from YouTube: Introducing the new G Series MegaTank Printers. May 1, 2017; one page. Found online May 11, 2020 at [https://www.youtube.com/watch?v=jO9EIZRssdk&feature=emb\\_logo](https://www.youtube.com/watch?v=jO9EIZRssdk&feature=emb_logo) (Year: 2017).\*

(Continued)

*Primary Examiner* — Robert M. Spear  
(74) *Attorney, Agent, or Firm* — Venable LLP

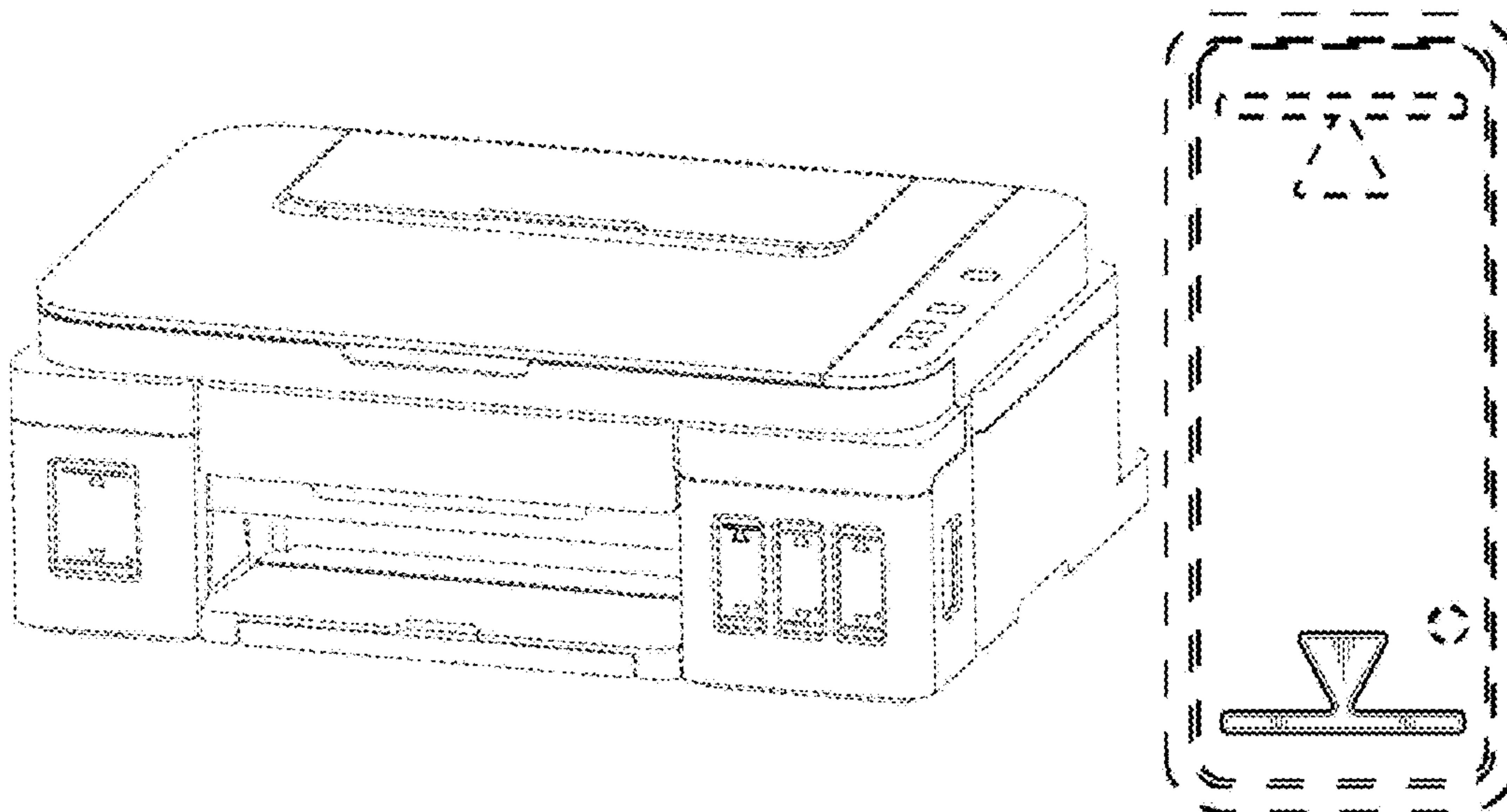
(57) **CLAIM**

The ornamental design for a printer, as shown and described.

**DESCRIPTION**

FIG. 1 : Perspective view of a printer;  
FIG. 2 : Front view thereof;  
FIG. 3 : Enlarged view thereof;  
FIG. 4 : Perspective view thereof, shown in a second position of use;  
FIG. 5: Front view thereof; and,  
FIG. 6: Enlarged view thereof.  
The broken lines show portions of the printer that form no part of the claimed design.

**1 Claim, 6 Drawing Sheets**



(56)

**References Cited**

U.S. PATENT DOCUMENTS

D770,316 S 11/2016 Wilkinson  
D841,085 S 2/2019 Higuchi et al.  
D851,698 S 6/2019 Oishi et al.  
D852,663 S 7/2019 Bard et al.  
D866,490 S 11/2019 Bard et al.

FOREIGN PATENT DOCUMENTS

JP D1584321 S 2/2018  
JP D1543182 S 8/2018

OTHER PUBLICATIONS

Copending, unpublished, U.S. Appl. No. 29/667,686 to Ayaka Odachi filed Oct. 24, 2018.

Bhatnagar, Abhishek: Canon Pixma G2000 Review, Pros and Cons. Screenshot from [www.gadgetshouse.com](http://www.gadgetshouse.com), dated May 4, 2016. Found online Jan. 22, 2020 at: <https://gadgetstouse.com/blog/2016/05/04/canon-pixma-g2000-review/> (Year: 2016).

Touch Curtain Switch for Electromotion Curtain Control—Sensitive Plus. Screenshot from [www.ibestek.com](http://www.ibestek.com). © 2015. Found online Jan. 22, 2020 at: <http://www.ibestek.com/products/curtain-switch-uk-eu.html> (Year: 2015).

\* cited by examiner

Fig. 1

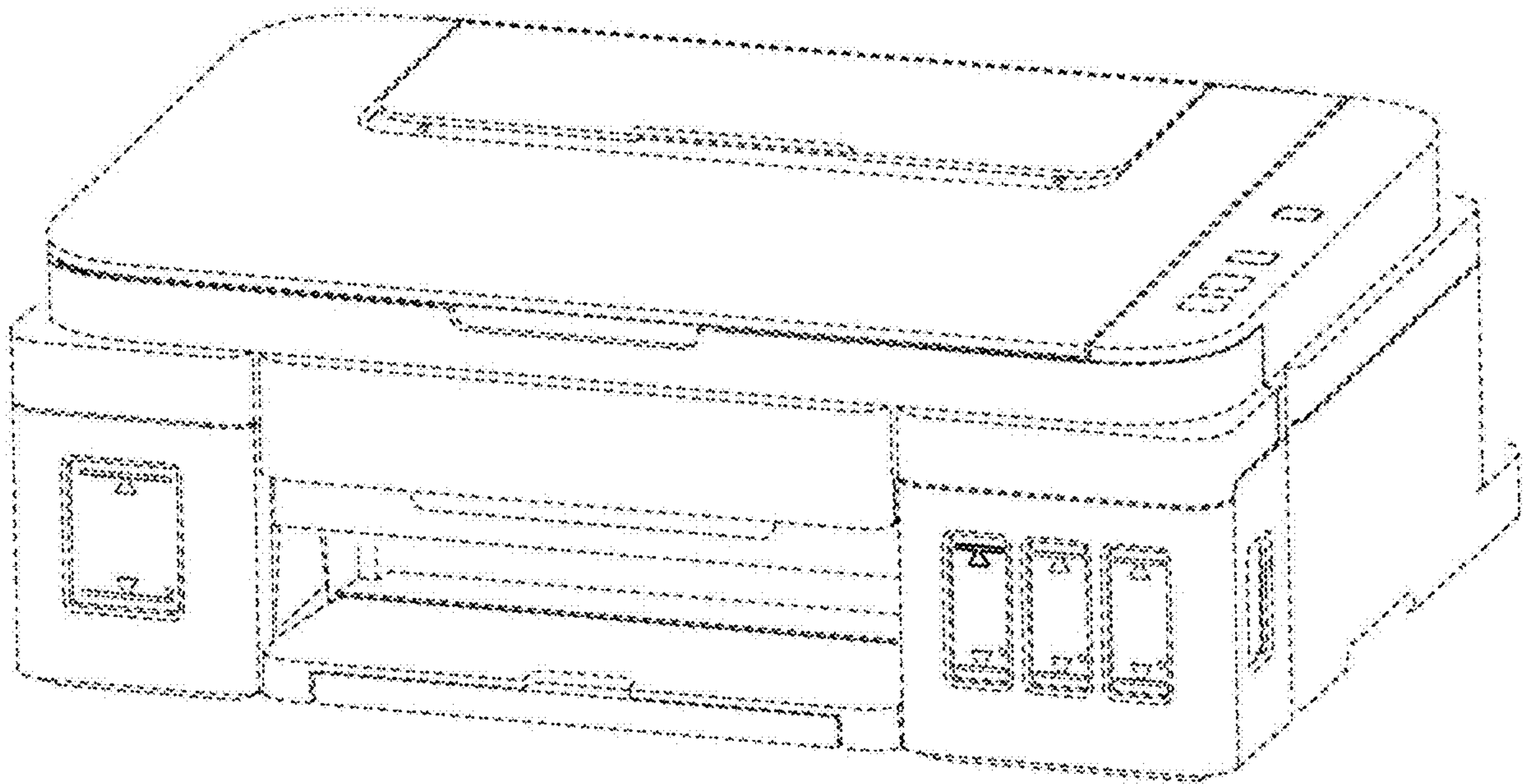


Fig. 2

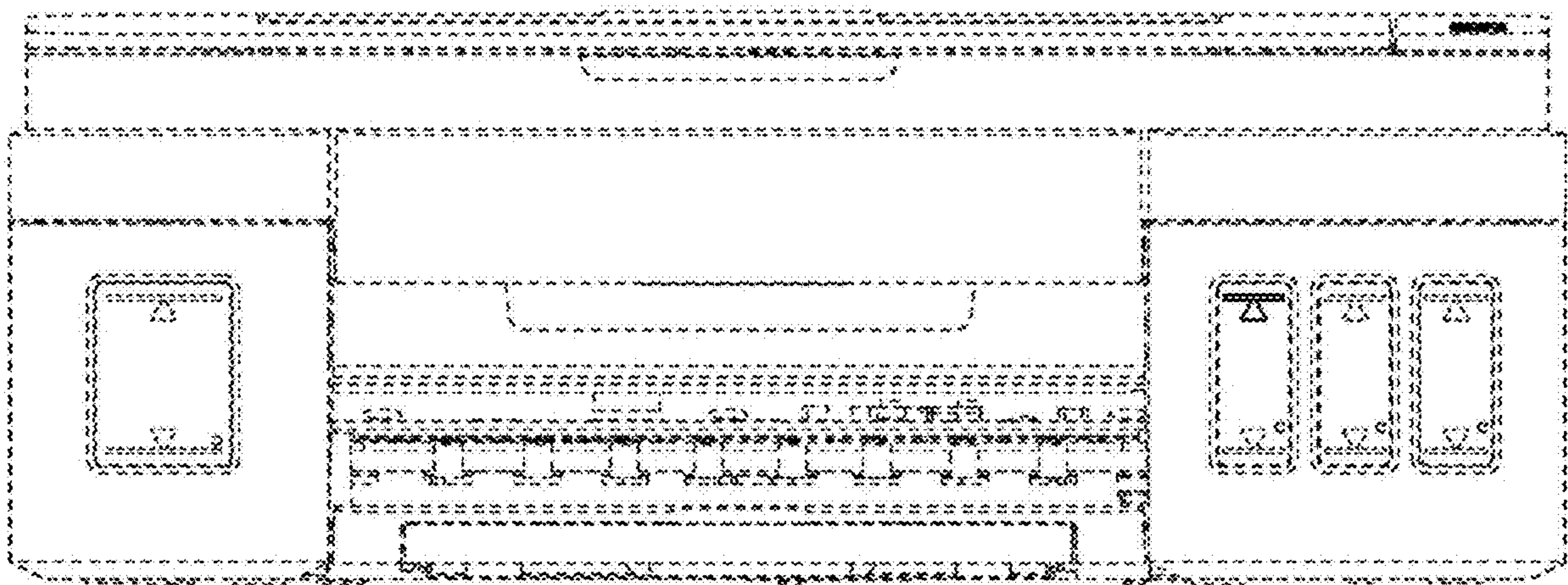




Fig. 3

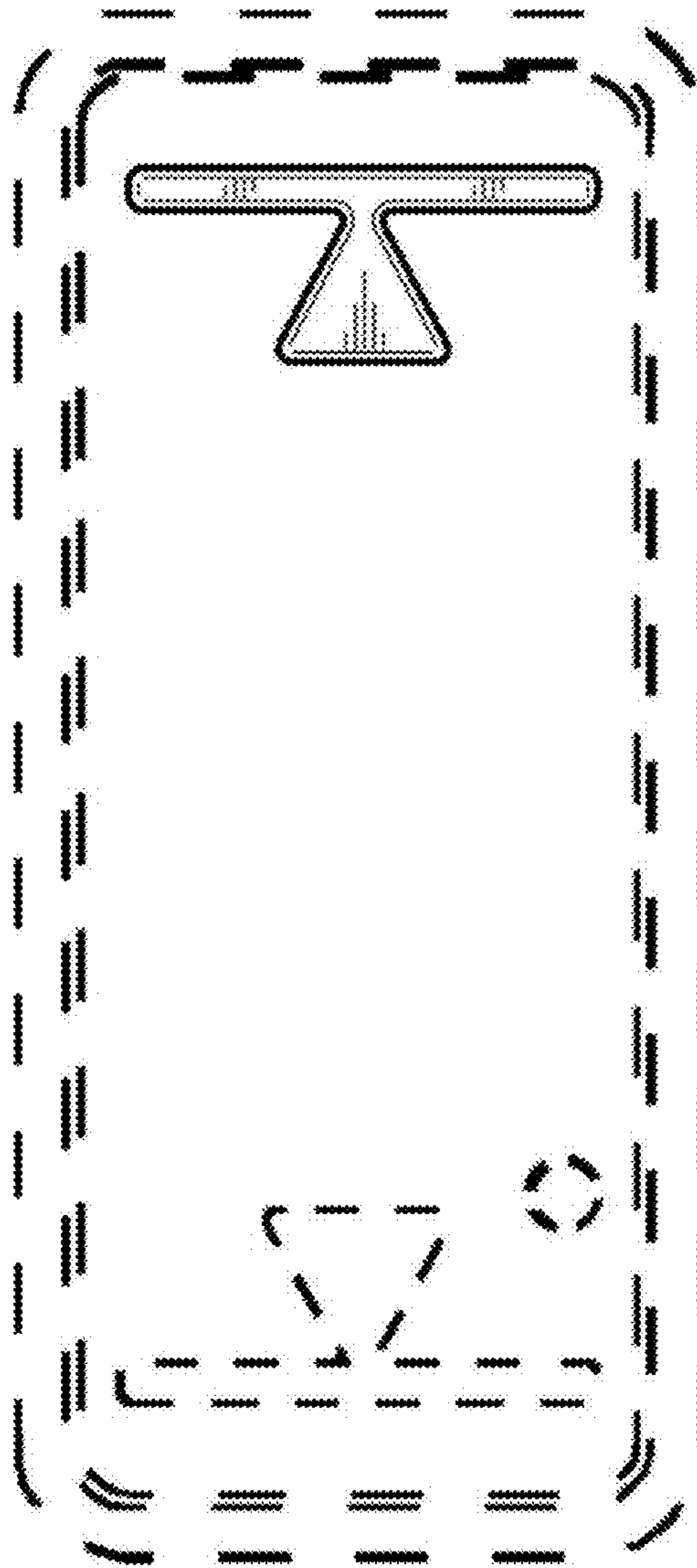


Fig. 4

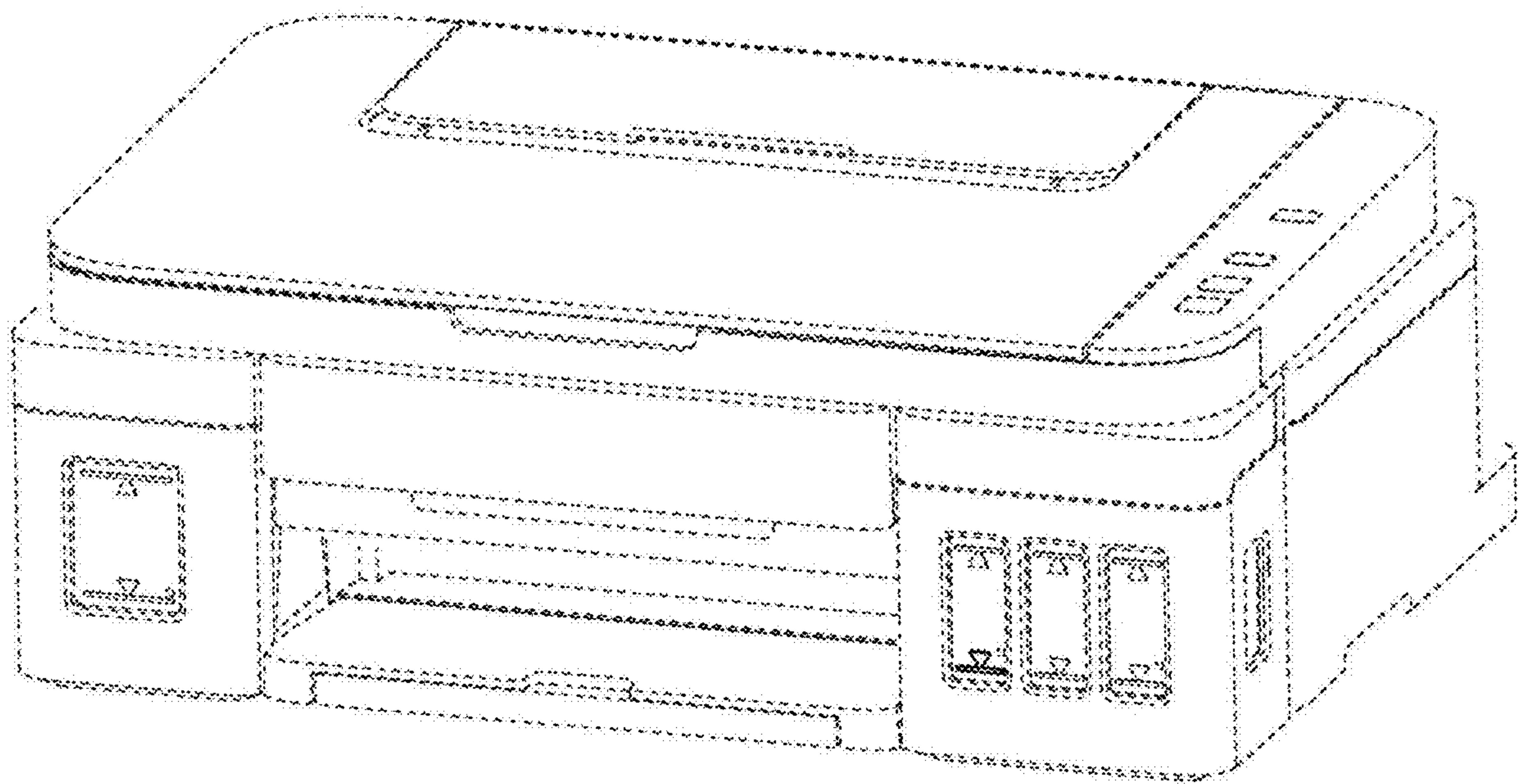


Fig. 5

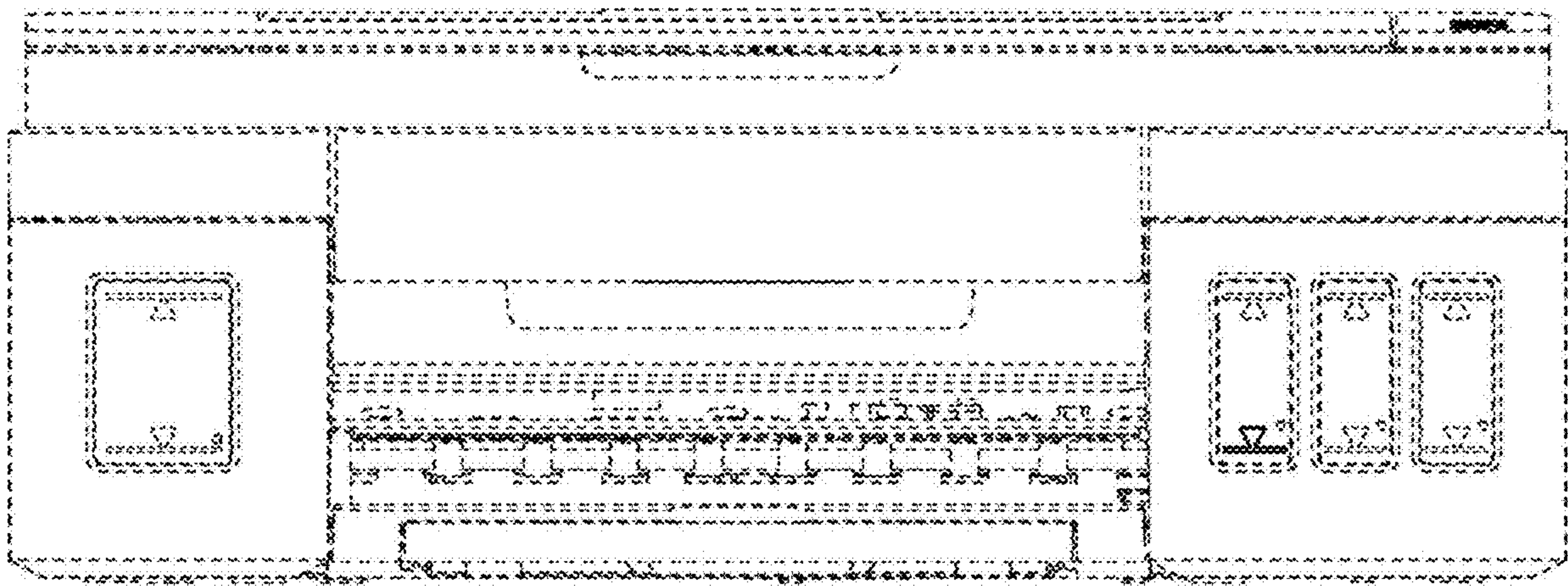


Fig. 6

