



US00D903757S

(12) **United States Design Patent**  
**Rhodus et al.**

(10) **Patent No.:** **US D903,757 S**

(45) **Date of Patent:** **\*\* Dec. 1, 2020**

(54) **FRAME FOR PRINTER**

(71) Applicant: **Lexmark International, Inc.**,  
Lexington, KY (US)

(72) Inventors: **Samuel Leo Rhodus**, Lexington, KY  
(US); **Brant Dennis Nystrom**,  
Lexington, KY (US); **Scott Richard  
Castle**, Lexington, KY (US); **Robert  
Henry Muyskens**, Lexington, KY (US);  
**Thomas Eugene Pangburn**,  
Winchester, KY (US); **Neilson Gutay  
Navarrete**, Mandaue (PH); **Tristan  
Santos Dalay**, Mandaue (PH)

(73) Assignee: **LEXMARK INTERNATIONAL,  
INC.**, Lexington, KY (US)

(\*\*) Term: **15 Years**

(21) Appl. No.: **29/672,258**

(22) Filed: **Dec. 4, 2018**

(51) **LOC (12) Cl.** ..... **18-02**

(52) **U.S. Cl.**  
USPC ..... **D18/50**; D18/40; D18/46

(58) **Field of Classification Search**  
USPC ..... D15/122, 135-138, 141, 66, 73, 76-78;  
D18/53, 59, 50, 14, 19, 54-57, 36-45,  
D18/34.4, 34.5, 34.6, 18, 51;  
D14/301-303, 307, 345; D6/691.4, 675,  
D6/708; D13/107, 108  
CPC ..... B41J 2/14; B41J 1/54; B41J 3/4073; B41J  
3/4078; B41F 17/22; B41F 17/003; B41F  
17/38; B28B 1/001; G03G 15/08; G03G  
15/0891; G03G 15/0875; G03G  
2215/0827; G03G 2215/0855; G03G  
21/1842

See application file for complete search history.

(56) **References Cited**

U.S. PATENT DOCUMENTS

D229,364 S *	11/1973	Juhlin	.....	D34/6
D335,300 S *	5/1993	Ishii	.....	D18/15
D483,801 S *	12/2003	Hattori	.....	D18/50
D517,110 S *	3/2006	Tanaka	.....	D16/237
7,042,712 B2 *	5/2006	Ghosh	.....	G06F 1/1605 206/320

(Continued)

*Primary Examiner* — Dana K Weiland  
*Assistant Examiner* — Mary Claire Ramirez

(57) **CLAIM**

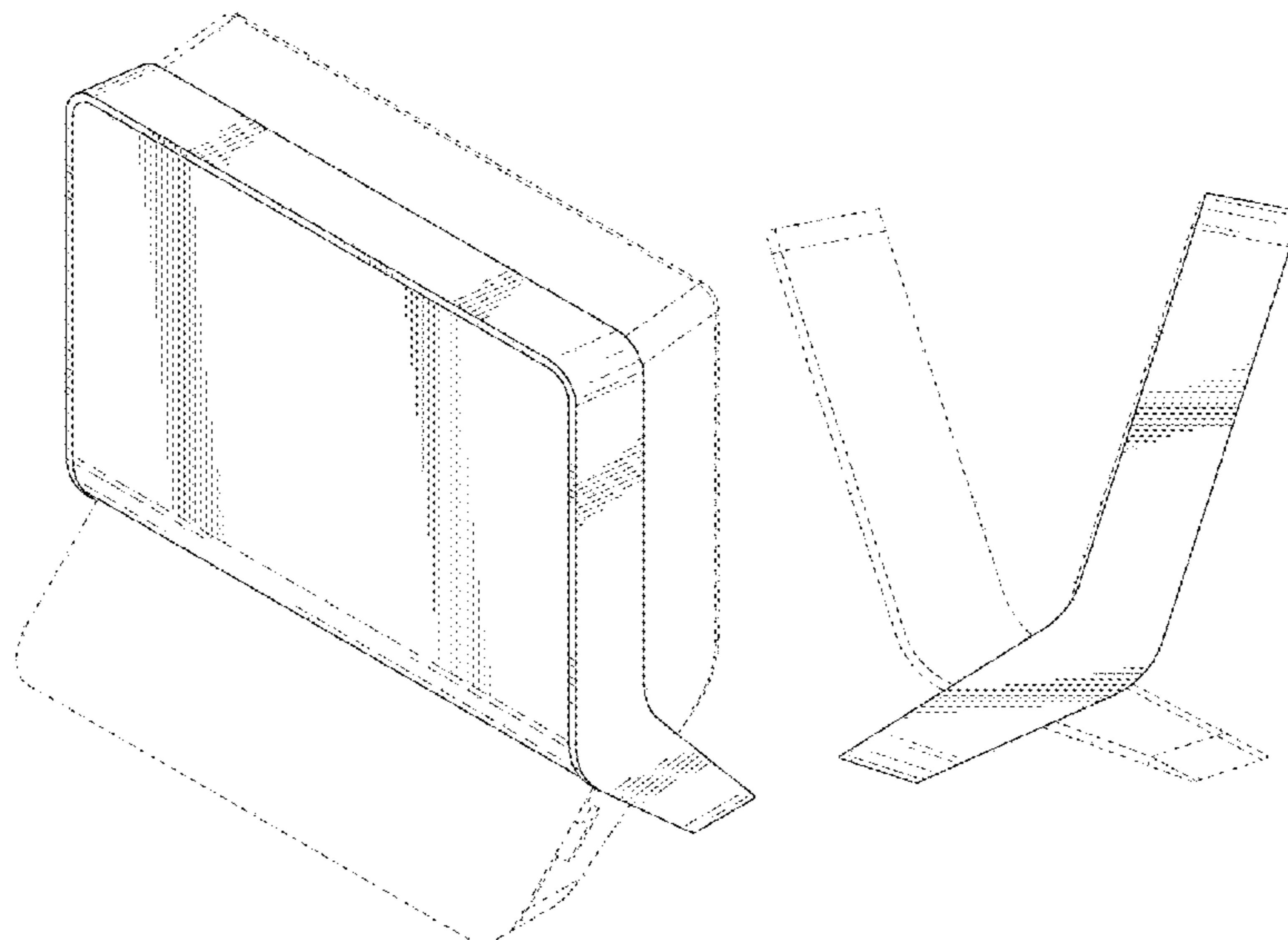
The ornamental design for a frame for printer, as shown and described.

**DESCRIPTION**

FIG. 1 is a front elevation view of a frame for printer in the closed position showing our new design; FIG. 2 is a rear elevation view thereof; FIG. 3 is a right side elevation view thereof; FIG. 4 is a left side elevation view thereof; FIG. 5 is a top plan view thereof; FIG. 6 is a bottom plan view thereof; FIG. 7 is a top, front and right side perspective view thereof; FIG. 8 is a bottom, rear, and left side perspective view thereof; FIG. 9 is a front elevation view of the frame for printer in the open position. FIG. 10 is a rear elevation view thereof; FIG. 11 is a right side elevation view thereof; FIG. 12 is a left side elevation view thereof; FIG. 13 is a top plan view thereof; FIG. 14 is a bottom plan view thereof; FIG. 15 is a top, front and right side perspective view thereof; and, FIG. 16 is a bottom, rear, and left side perspective view thereof.

The broken lines shown in the drawings depict portions of the frame for printer that form no part of the claimed design.

**1 Claim, 14 Drawing Sheets**



(56)

References Cited

U.S. PATENT DOCUMENTS

D530,737 S	*	10/2006	Lim	.....	D18/50	D699,354 S	*	2/2014	Chung	.....	D24/158
D552,151 S	*	10/2007	Solomon	.....	D16/225	D711,004 S	*	8/2014	Chen	.....	D24/186
D553,106 S	*	10/2007	Griffin	.....	D14/217	D725,784 S	*	3/2015	Xia	.....	D24/186
D556,019 S	*	11/2007	Symons	.....	D8/356	D731,499 S	*	6/2015	Tseng	.....	D14/451
D580,441 S	*	11/2008	Mori	.....	D14/434	D731,966 S	*	6/2015	Rabalais	.....	D13/107
D585,399 S	*	1/2009	Hwang	.....	D14/130	D738,308 S	*	9/2015	Sumwalt	.....	D13/138.1
D592,625 S	*	5/2009	Hwang	.....	D14/130	D744,586 S	*	12/2015	Chung	.....	D15/122
D602,271 S	*	10/2009	Schwartz	.....	D6/355	D746,345 S	*	12/2015	Kida	.....	D15/135
D634,316 S	*	3/2011	Van Den Nieuwenhuizen	.....	D14/336	D760,719 S	*	7/2016	Zhou	.....	D14/420
D644,446 S	*	9/2011	Schwartz	.....	D6/349	D762,613 S	*	8/2016	Garneau	.....	D14/172
D649,141 S	*	11/2011	Thomas	.....	D14/242	D765,771 S	*	9/2016	Kim	.....	D18/49
D665,013 S	*	8/2012	Ishikawa	.....	D18/50	D782,471 S	*	3/2017	Nuk	.....	D14/341
D667,012 S	*	9/2012	Chen	.....	D14/447	D782,481 S	*	3/2017	Zhou	.....	D14/420
D688,659 S	*	8/2013	Yusef	.....	D14/335	D783,836 S	*	4/2017	Schon	.....	D24/186
D691,144 S	*	10/2013	Peters	.....	D14/440	D784,542 S	*	4/2017	Zwierstra	.....	D24/186
D699,232 S	*	2/2014	Jung	.....	D14/239	D791,140 S	*	7/2017	Nuk	.....	D14/447
						D803,218 S	*	11/2017	Zhou	.....	D14/420
						D816,647 S	*	5/2018	Li	.....	D14/240
						D820,830 S	*	6/2018	Lee	.....	D14/341
						D842,296 S	*	3/2019	Oross	.....	D14/307

\* cited by examiner

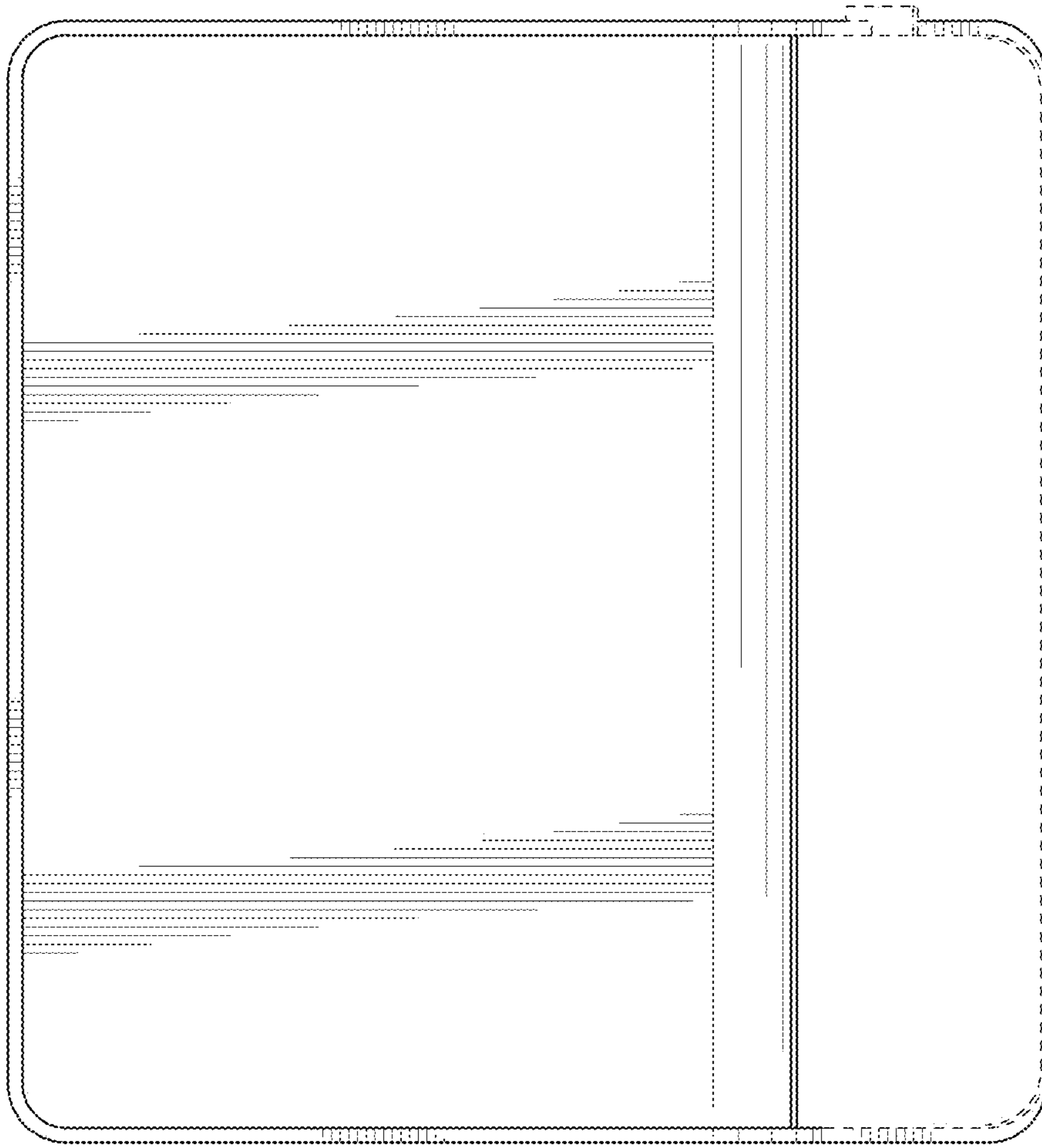


FIG. 1

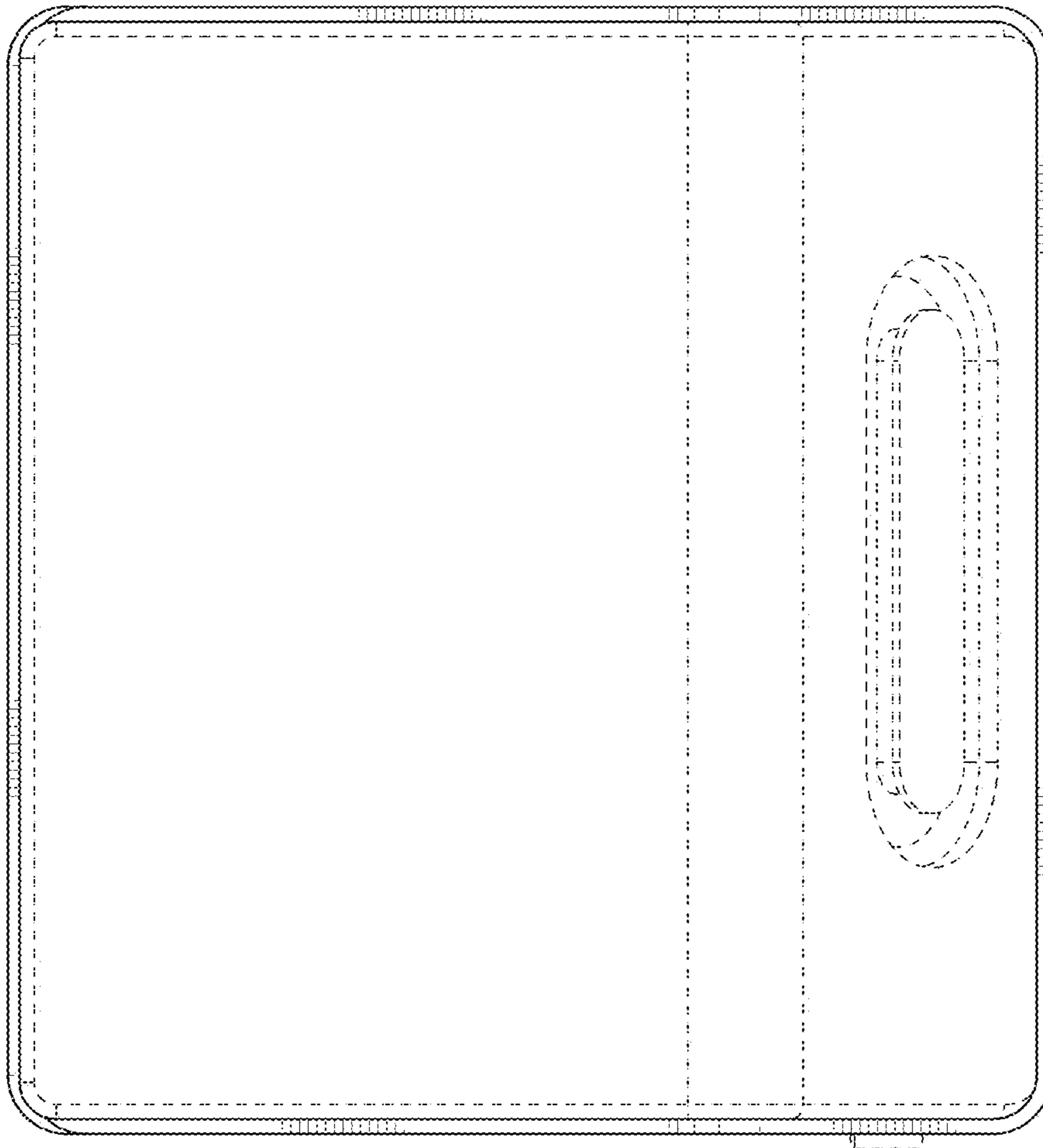


FIG. 2

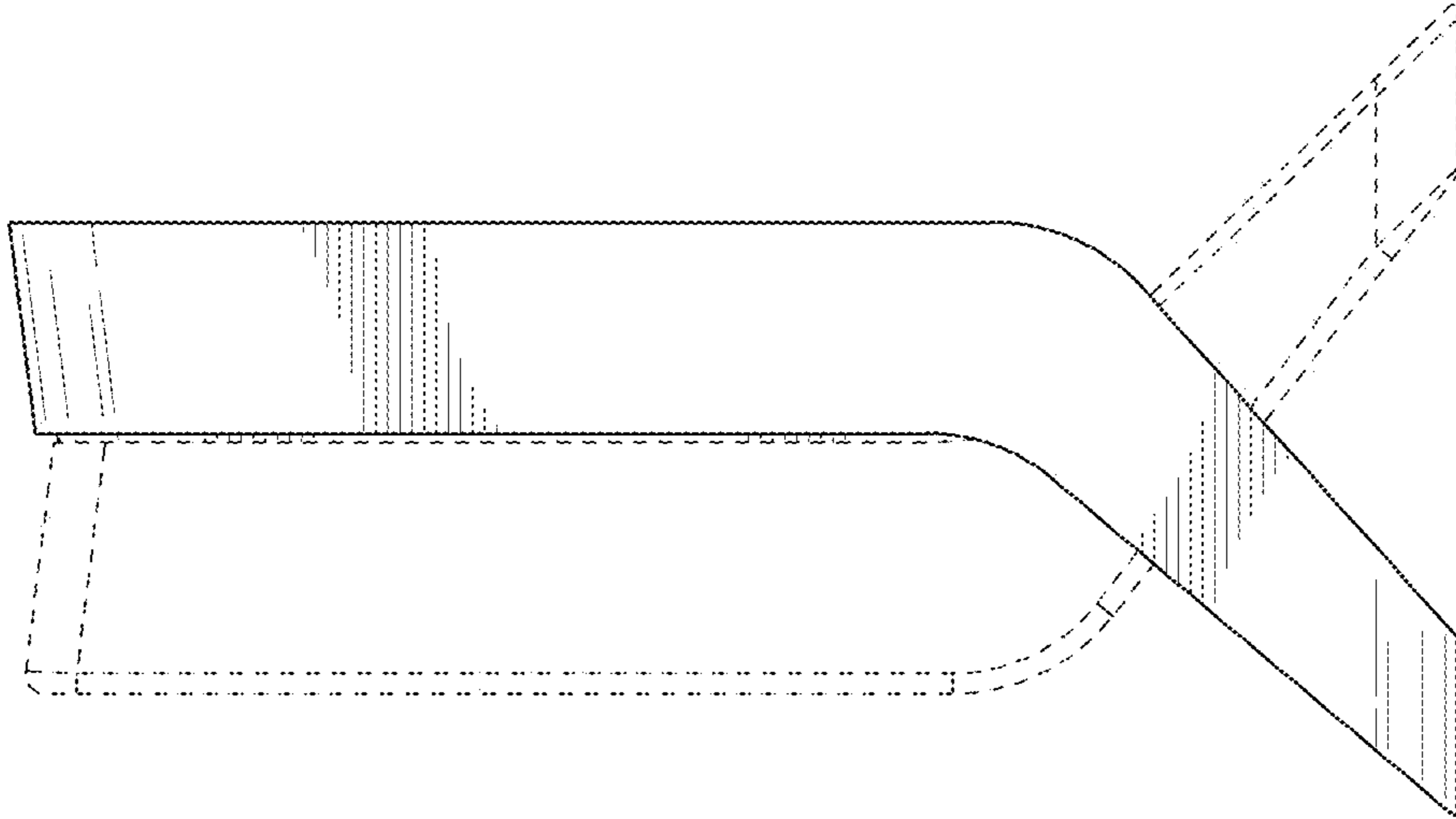


FIG. 3

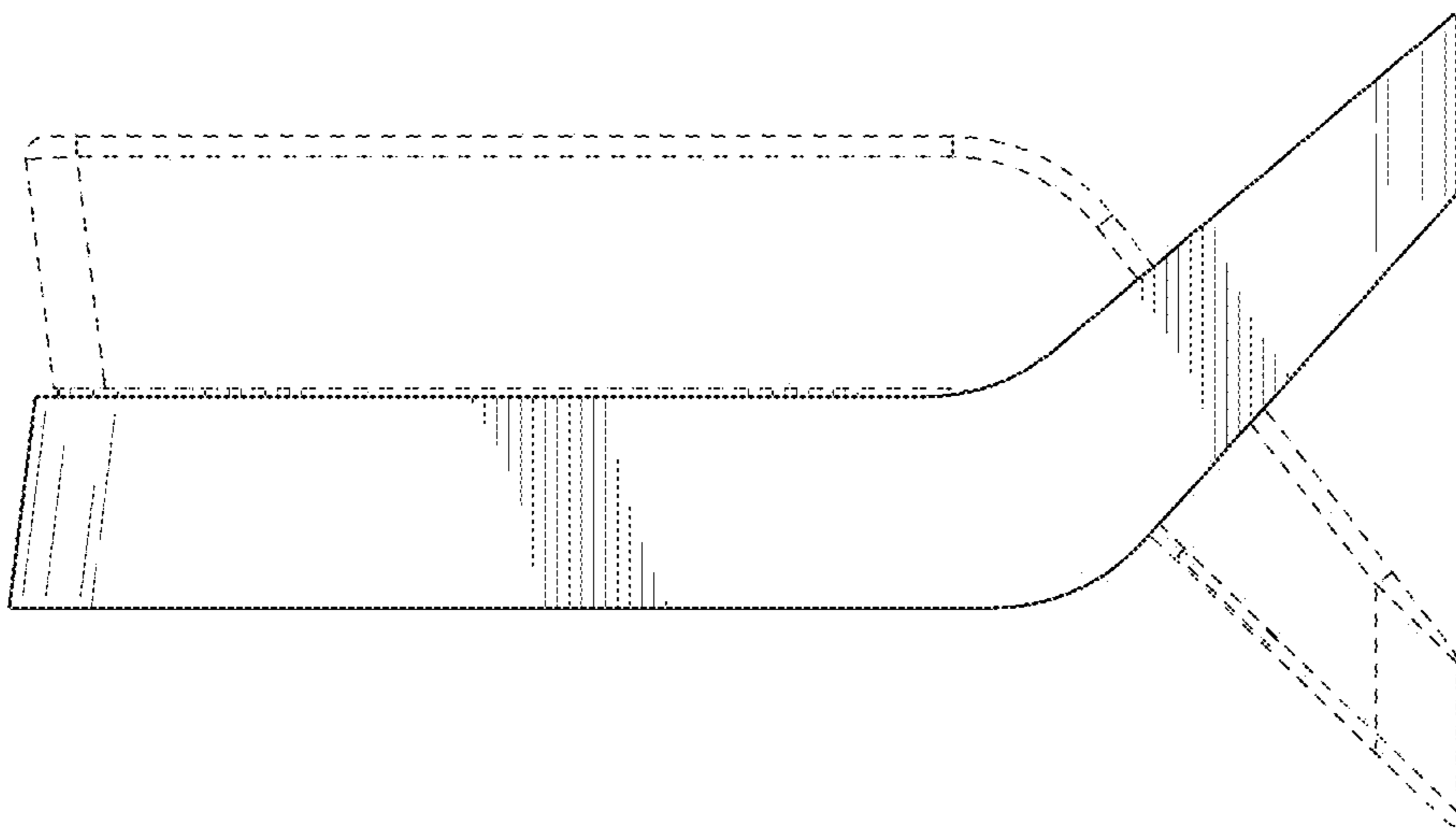


FIG. 4

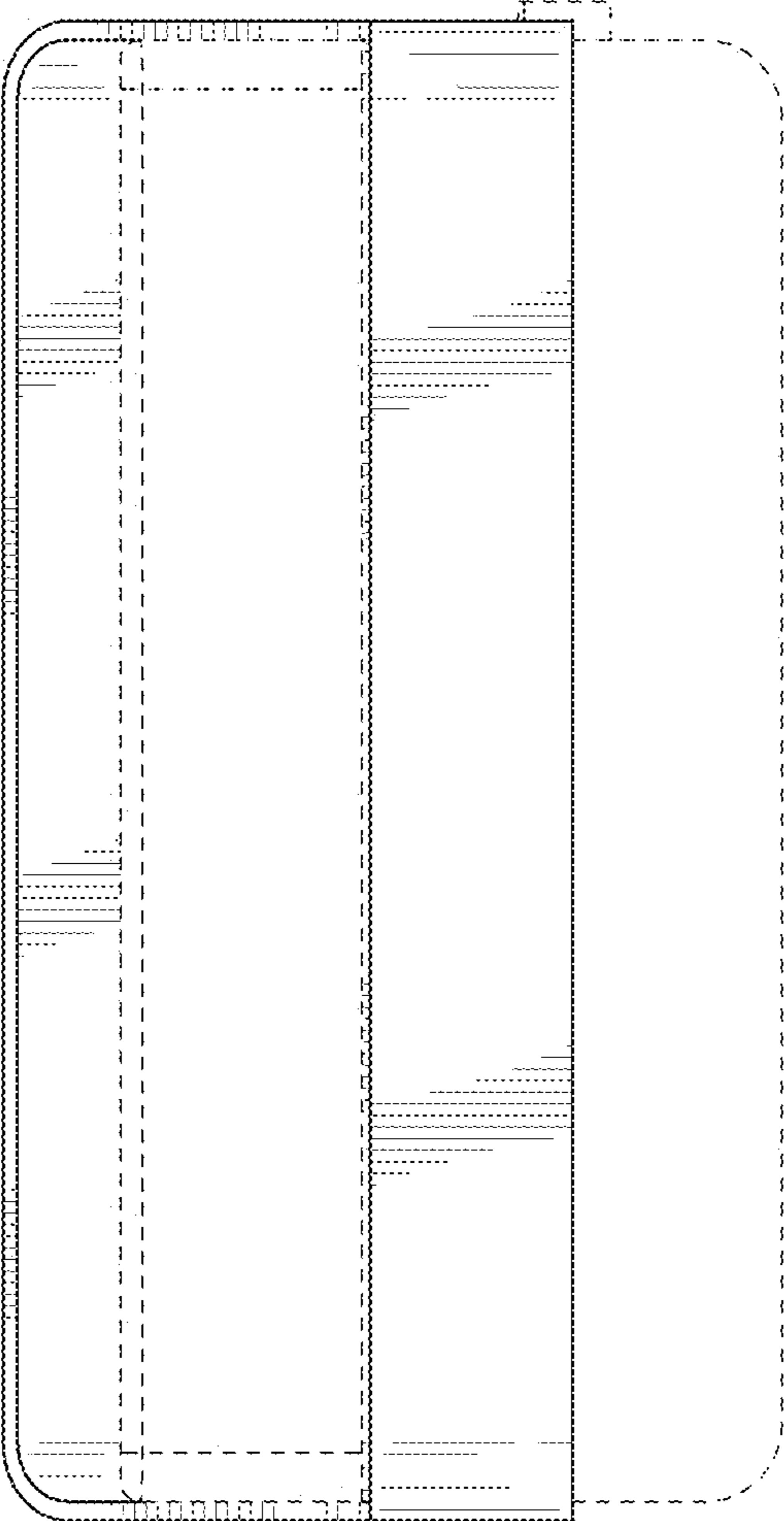


FIG. 5

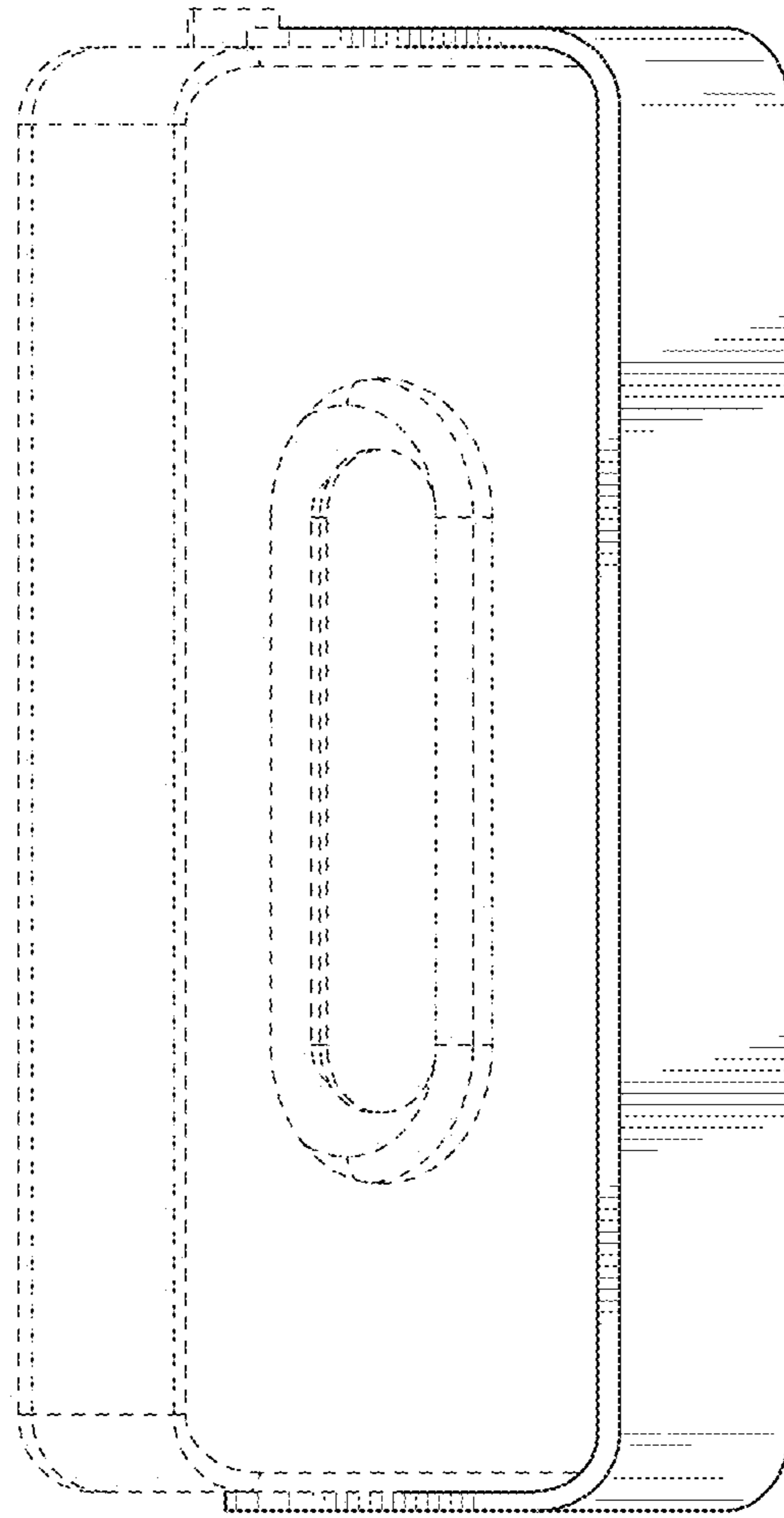


FIG. 6

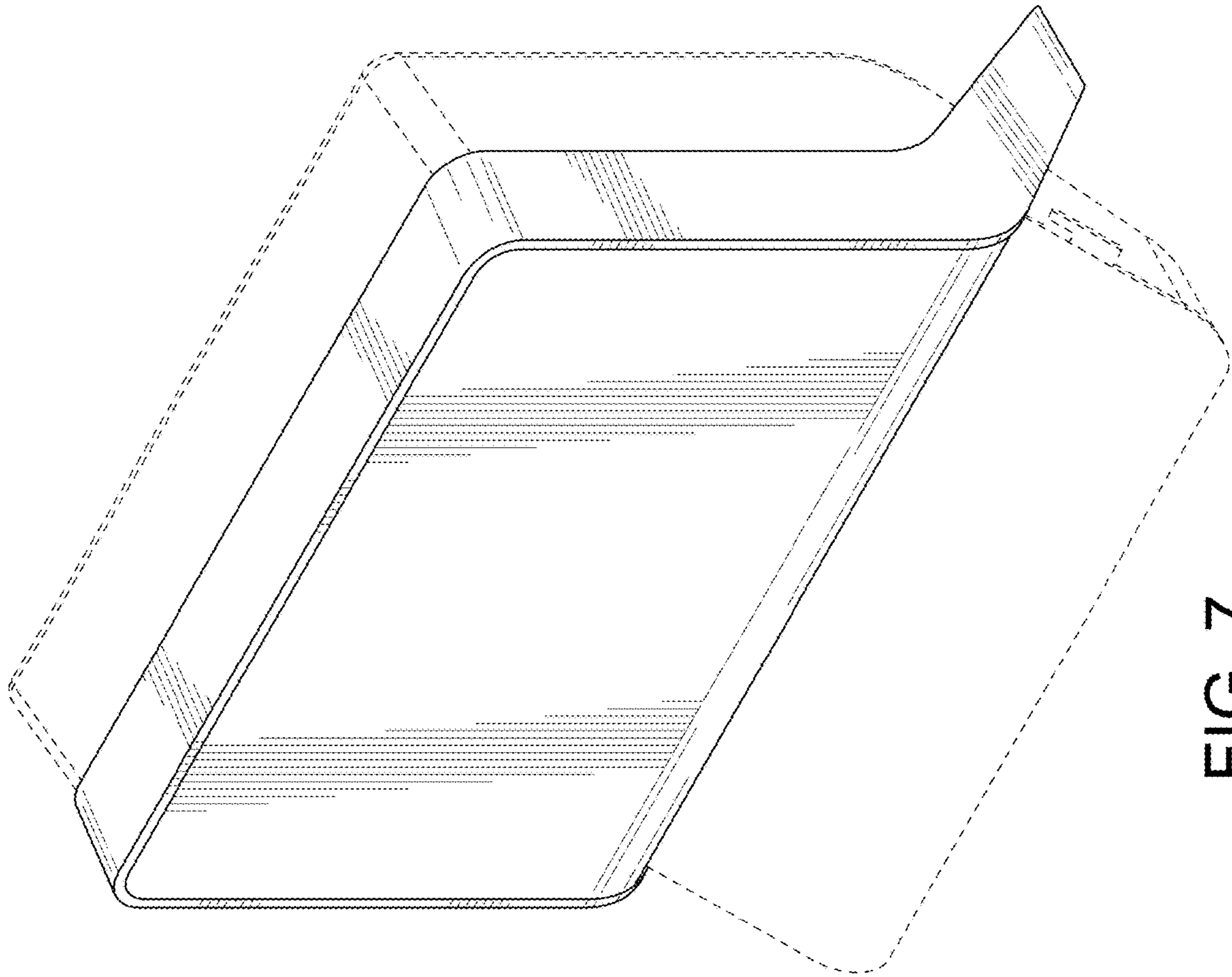


FIG. 7



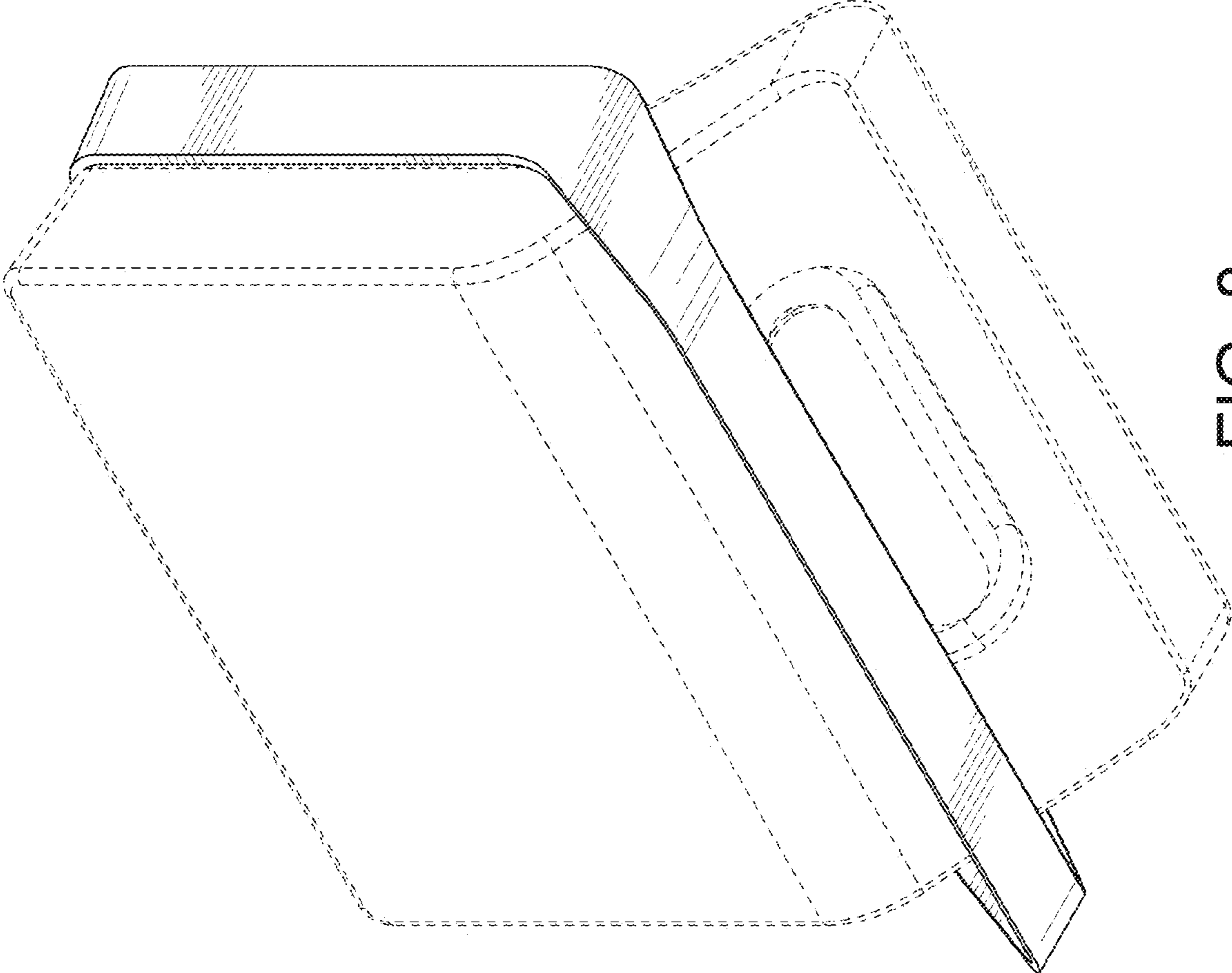


FIG. 8

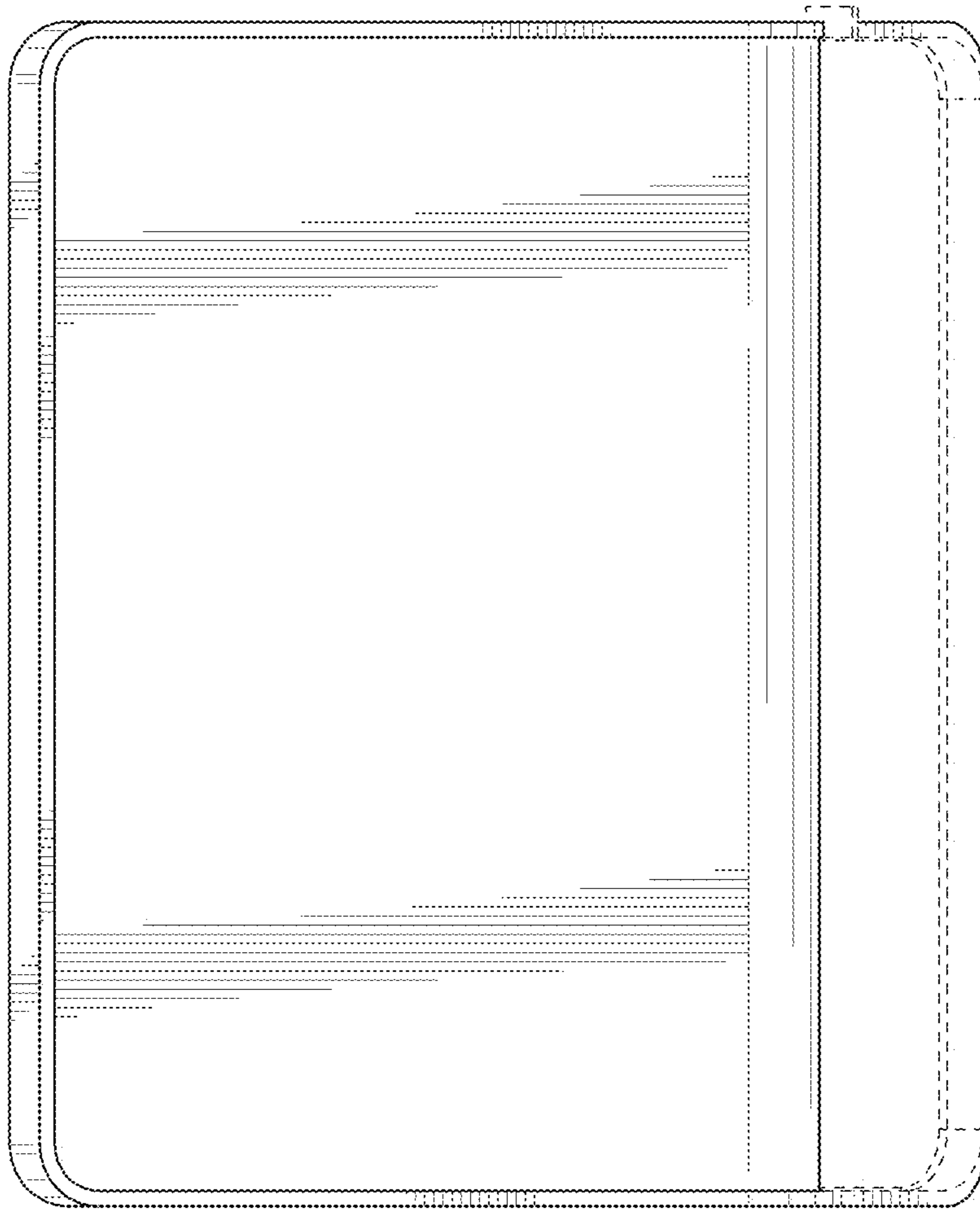


FIG. 9

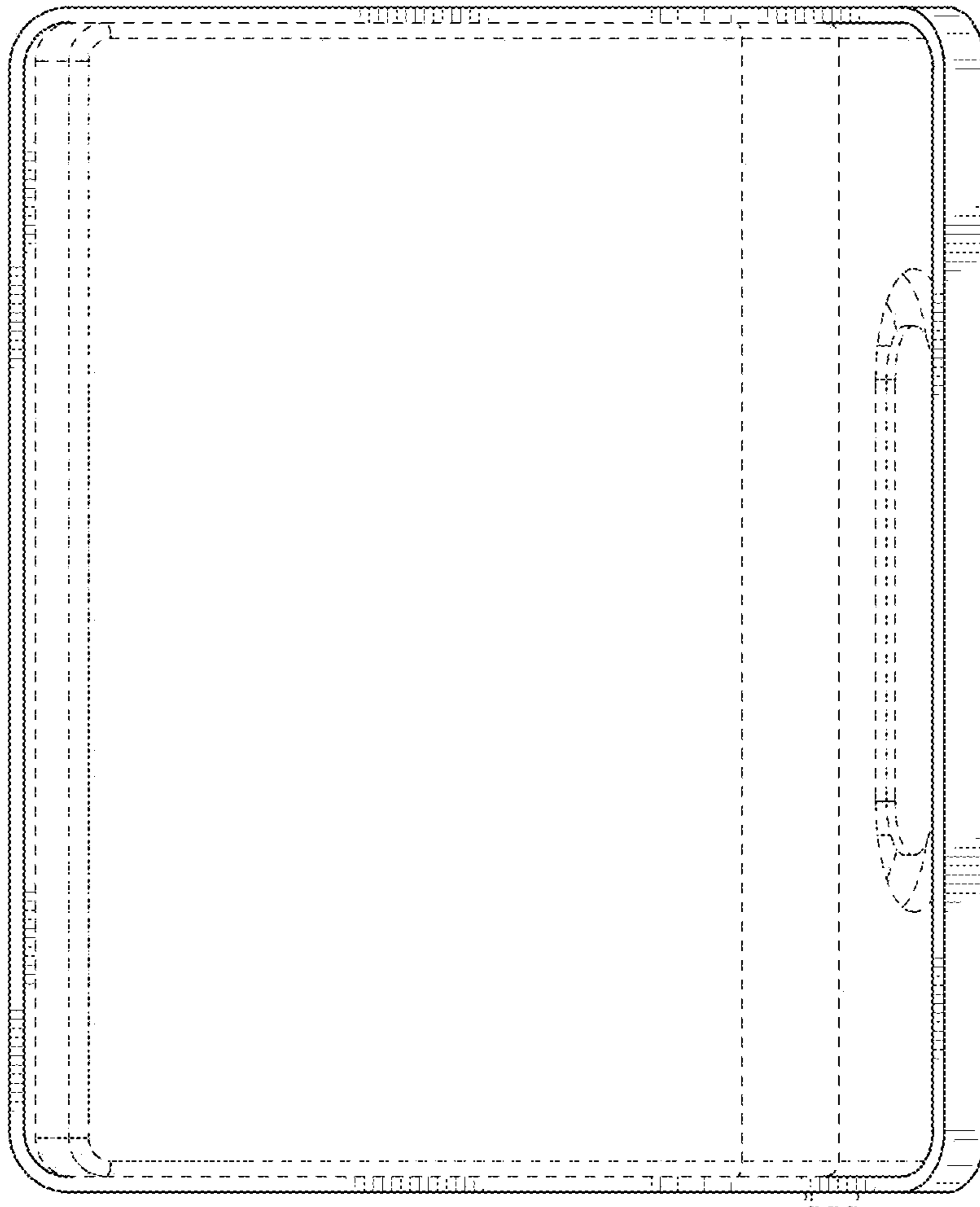


FIG. 10

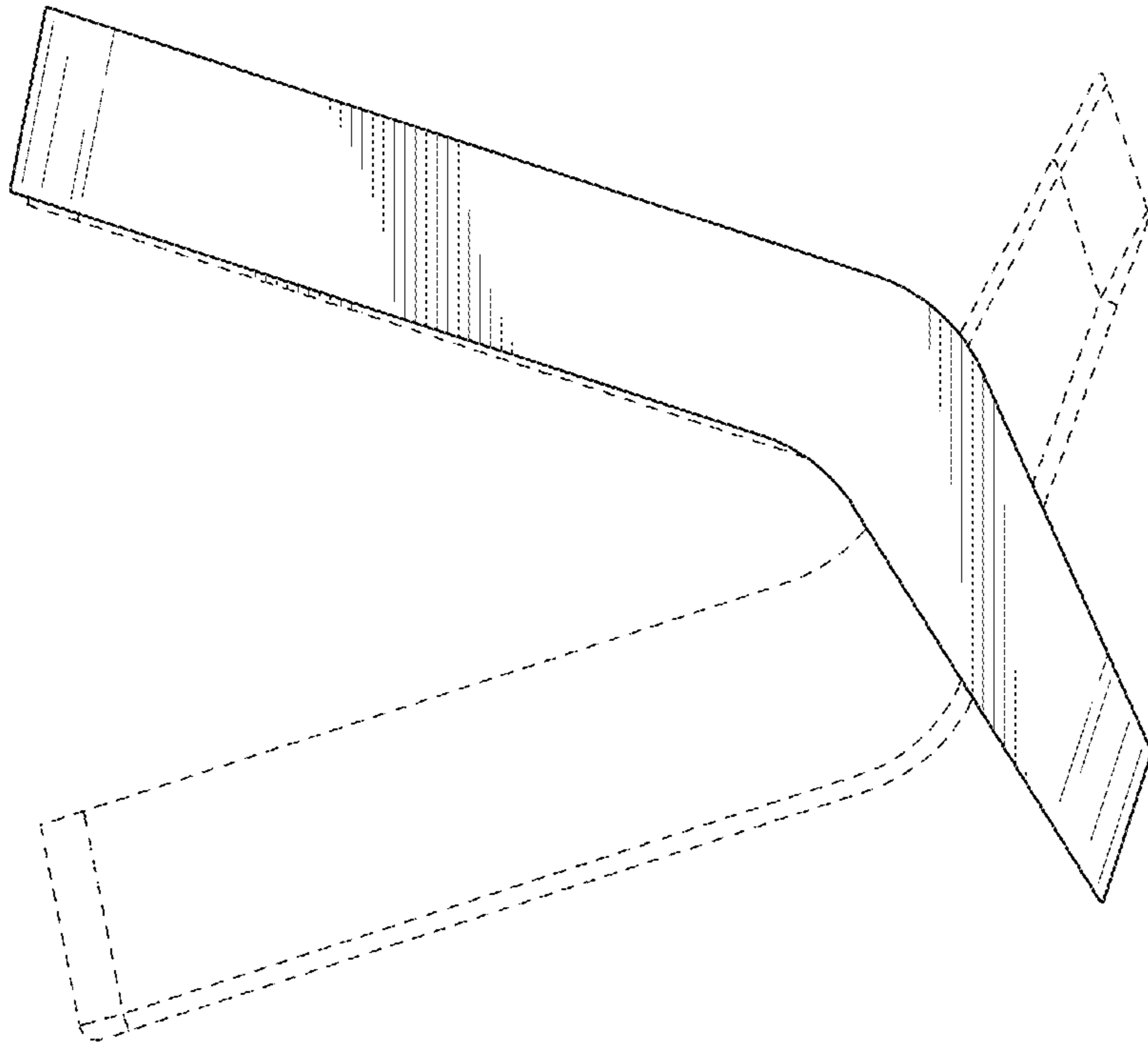


FIG. 12

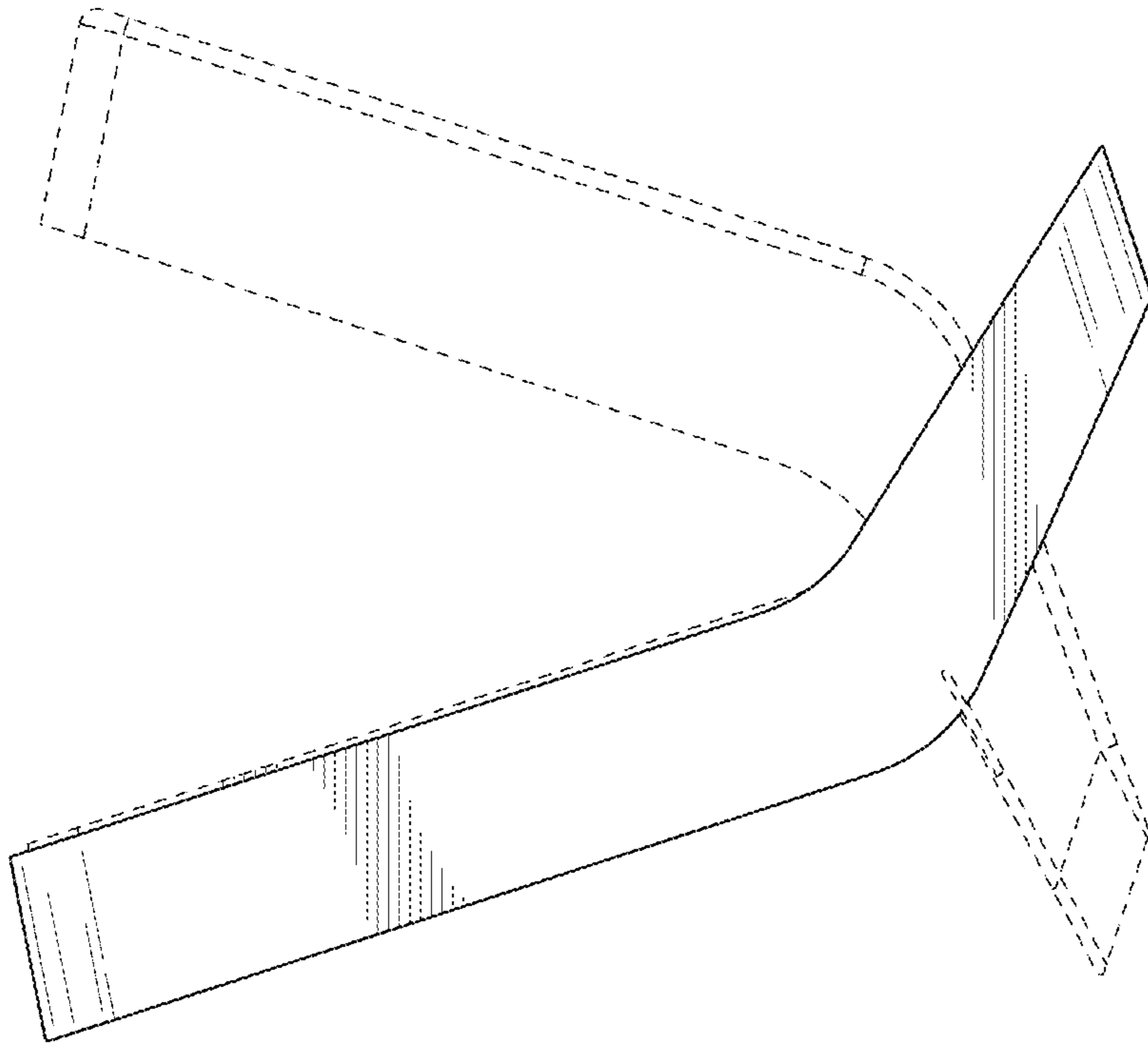


FIG. 11

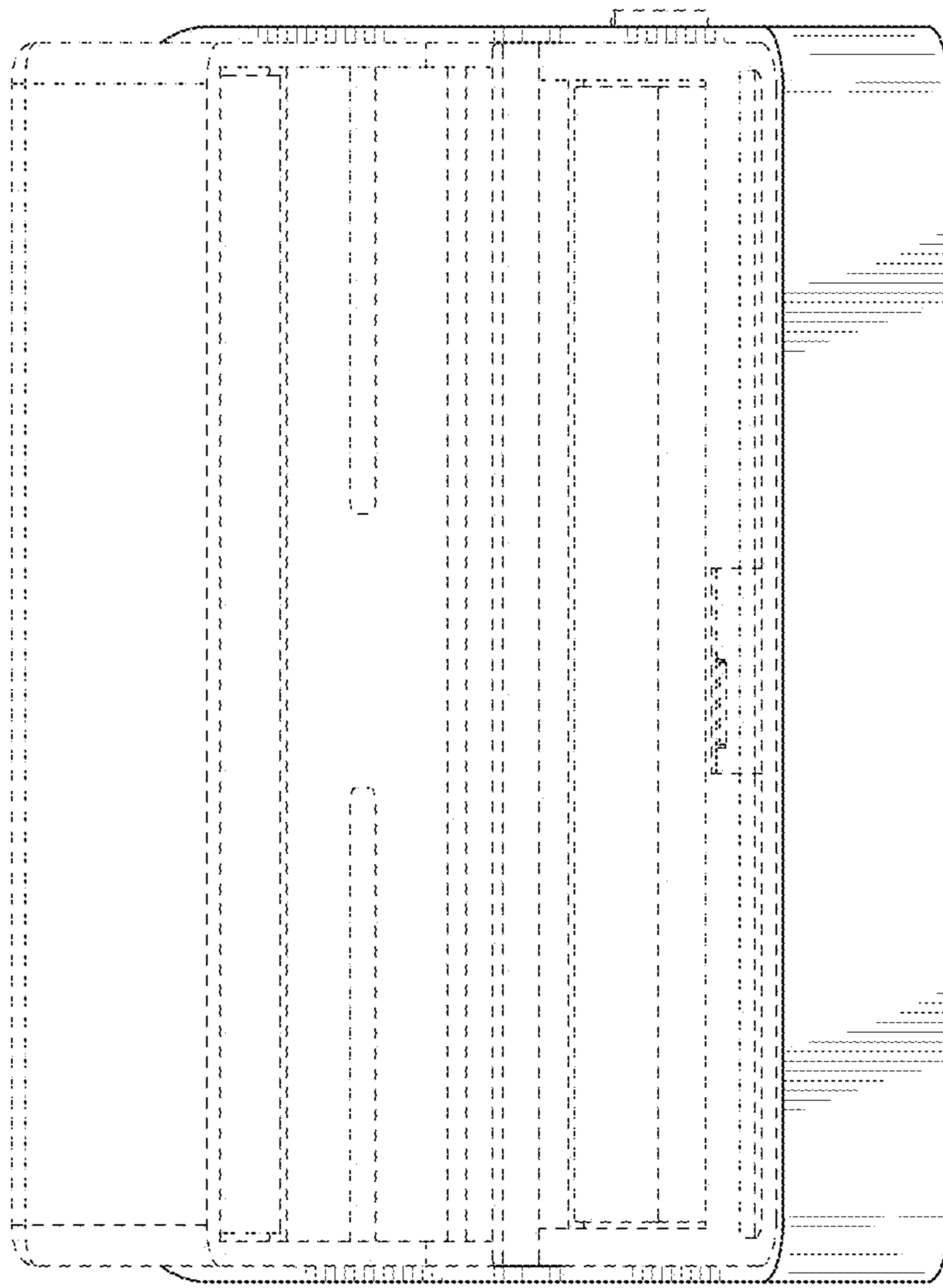


FIG. 13

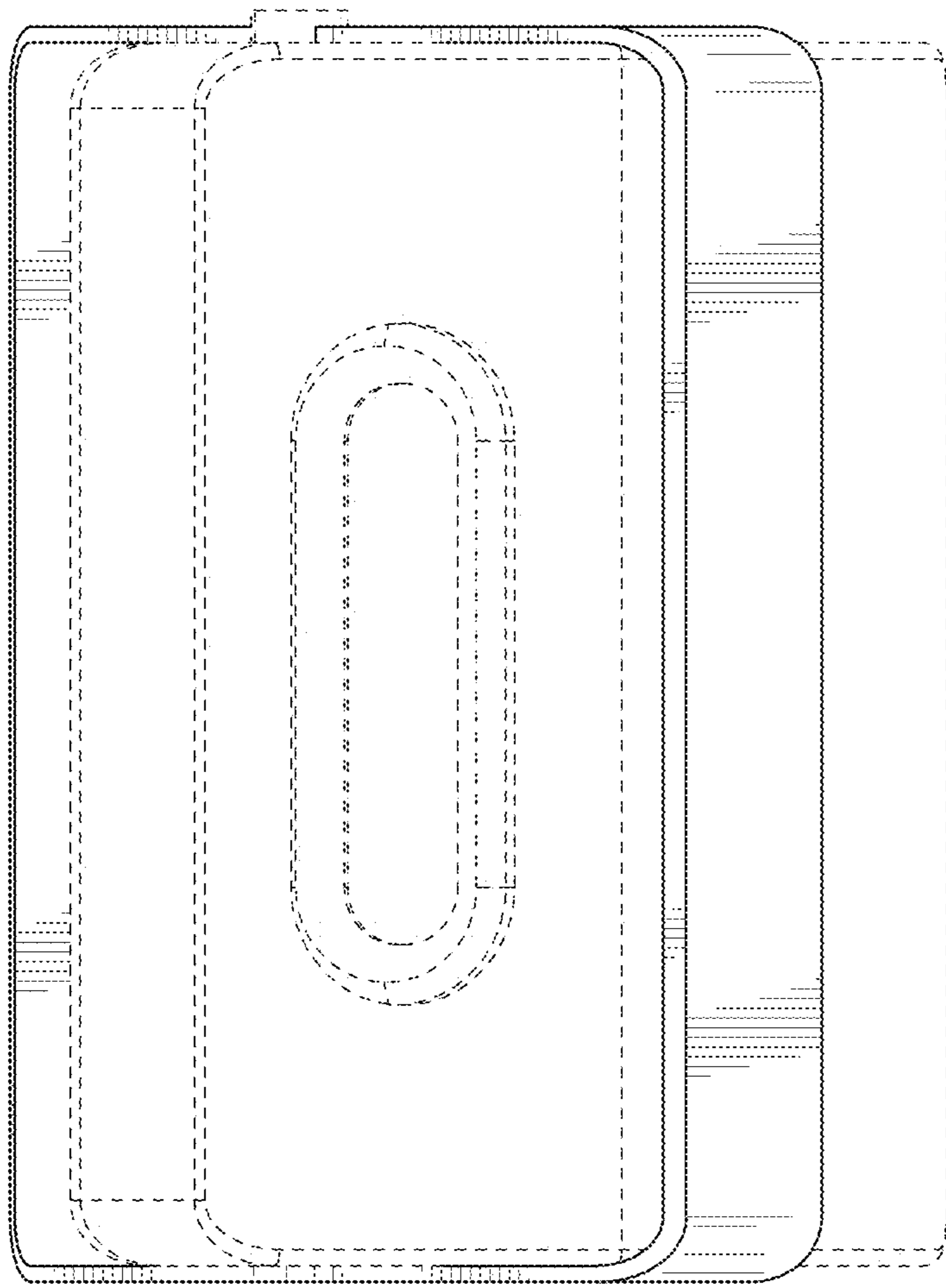


FIG. 14

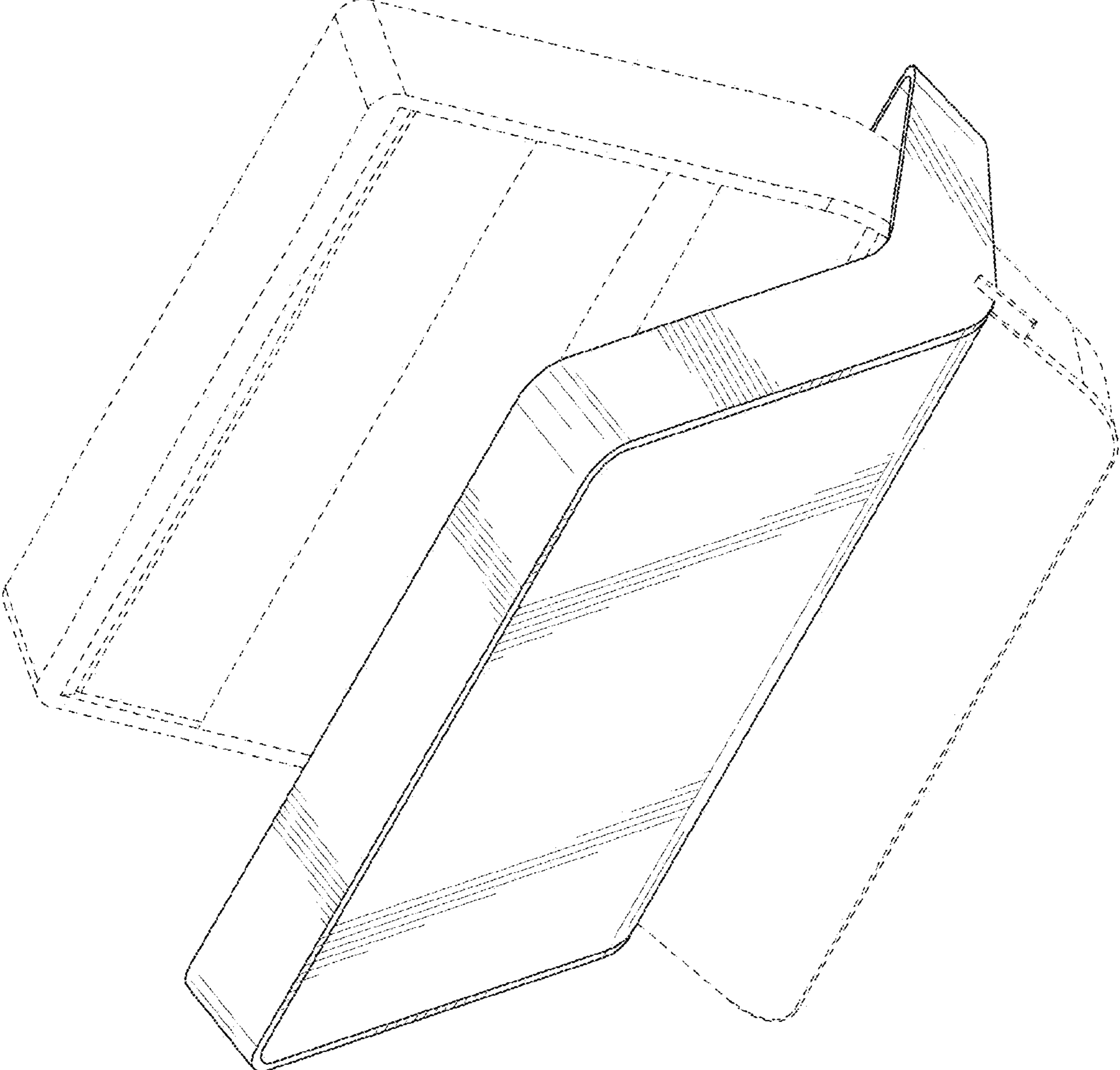


FIG. 15

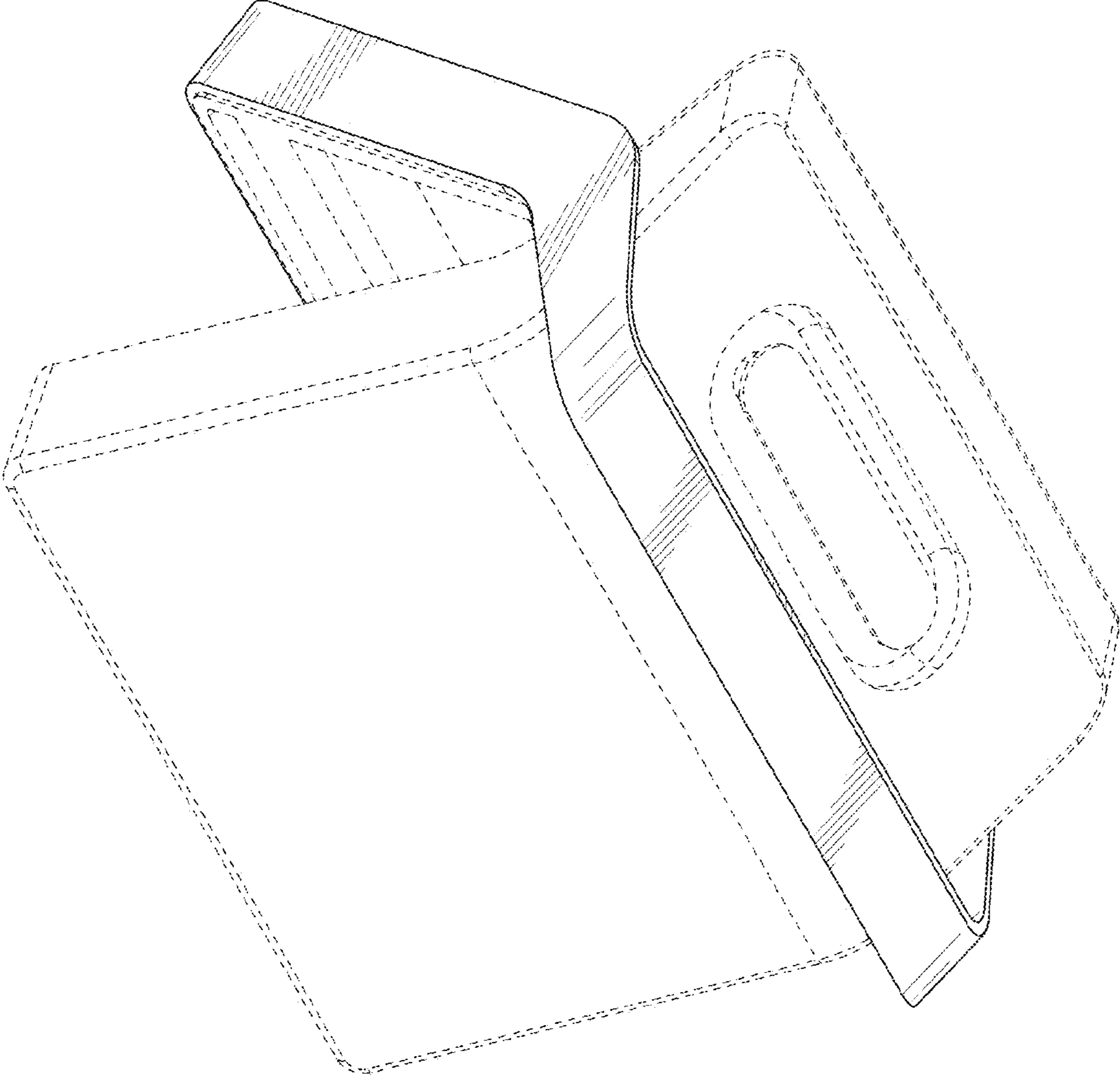


FIG. 16