



US00D903756S

(12) **United States Design Patent**
Rhodus et al.

(10) **Patent No.:** **US D903,756 S**
(45) **Date of Patent:** **** Dec. 1, 2020**

(54) **PRINTER**

(71) Applicant: **Lexmark International, Inc.**,
Lexington, KY (US)

(72) Inventors: **Samuel Leo Rhodus**, Lexington, KY (US); **Brant Dennis Nystrom**, Lexington, KY (US); **Scott Richard Castle**, Lexington, KY (US); **Robert Henry Muyskens**, Lexington, KY (US); **Thomas Eugene Pangburn**, Winchester, KY (US); **Neilson Gutay Navarrete**, Mandaue (PH); **Tristan Santos Dalay**, Mandaue (PH)

(73) Assignee: **LEXMARK INTERNATIONAL, INC.**, Lexington, KY (US)

(**) Term: **15 Years**

(21) Appl. No.: **29/672,254**

(22) Filed: **Dec. 4, 2018**

(51) **LOC (12) Cl.** **18-02**

(52) **U.S. Cl.**
USPC **D18/50; D18/14**

(58) **Field of Classification Search**
USPC D15/122, 135-138, 141, 66, 73, 76-78;
D18/53, 59, 50, 14, 19, 54-57, 36-45,
(Continued)

(56) **References Cited**

U.S. PATENT DOCUMENTS

D335,300 S * 5/1993 Ishii D18/15
D483,801 S * 12/2003 Hattori D18/50
(Continued)

Primary Examiner — Dana K Weiland
Assistant Examiner — Mary Claire Ramirez

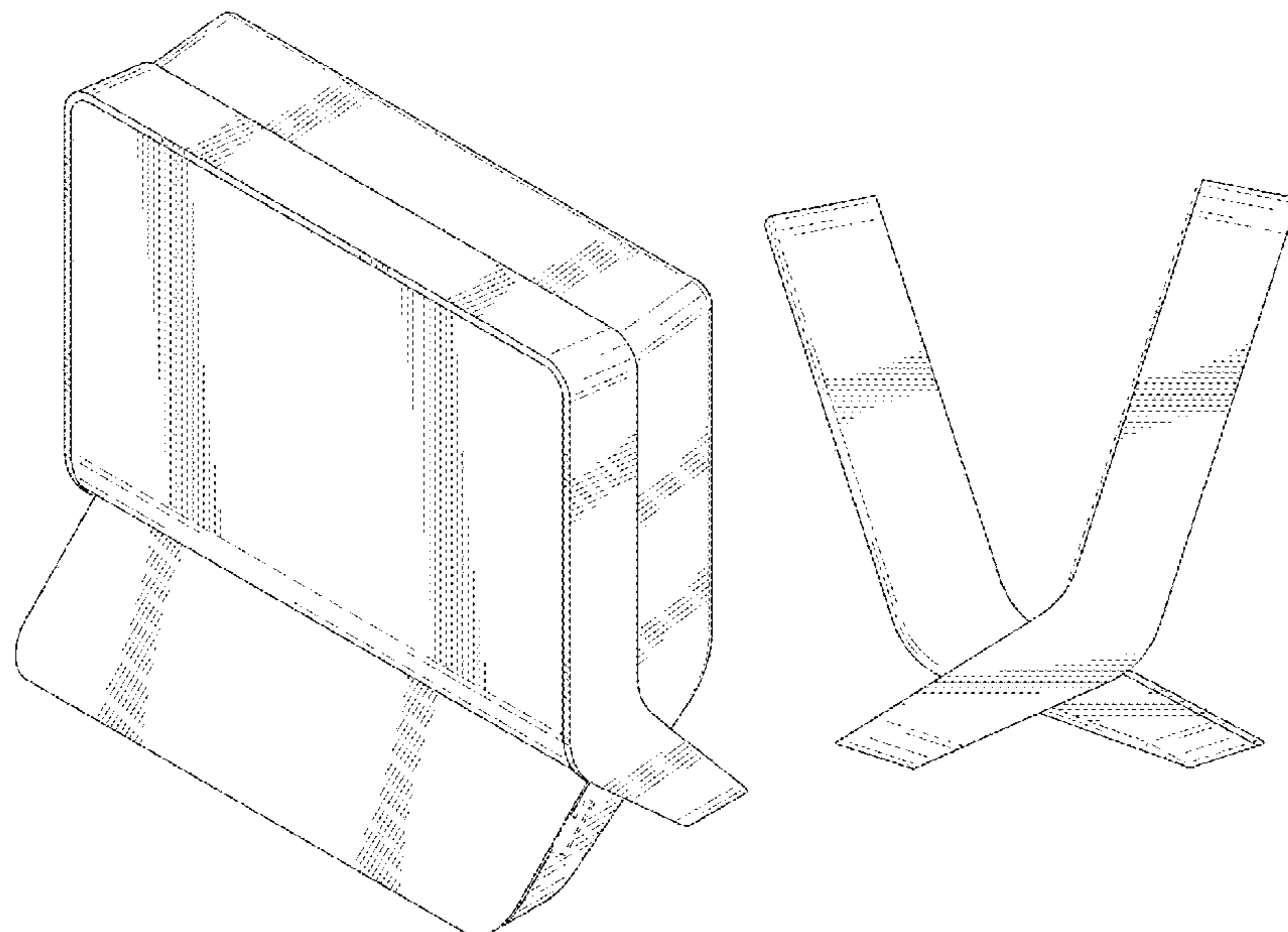
(57) **CLAIM**

The ornamental design for a printer, as shown and described.

DESCRIPTION

FIG. 1 is a front elevation view of a printer in the closed position showing our new design;
FIG. 2 is a rear elevation view of the printer in the closed position;
FIG. 3 is a right side elevation view of the printer in the closed position;
FIG. 4 is a left side elevation view of the printer in the closed position;
FIG. 5 is a top plan view of the printer in the closed position;
FIG. 6 is a bottom plan view of the printer in the closed position;
FIG. 7 is a top, front and right side perspective view of the printer in the closed position;
FIG. 8 is a bottom, rear, and left side perspective view of the printer in the closed position;
FIG. 9 is a front elevation view of the printer in the open position showing our new design;
FIG. 10 is a rear elevation view of the printer in the open position;
FIG. 11 is a right side elevation view of the printer in the open position;
FIG. 12 is a left side elevation view of the printer in the open position;
FIG. 13 is a top plan view of the printer in the open position;
FIG. 14 is a bottom plan view of the printer in the open position;
FIG. 15 is a top, front and right side perspective view of the printer in the open position; and,
FIG. 16 is a bottom, rear, and left side perspective view of the printer in the open position.
The broken lines shown in the drawings depict portions of the printer that form no part of the claimed design.

1 Claim, 14 Drawing Sheets



US D903,756 S

Page 2

(58) **Field of Classification Search**

USPC D18/34.4, 34.5, 34.6, 18, 51;
D14/301-303, 307, 345; D6/691.4, 675,
D6/708; D13/107, 108
CPC B41J 2/14; B41J 1/54; B41J 3/4073; B41J
3/4078; B41F 17/22; B41F 17/003; B41F
17/38; B28B 1/001; G03G 15/08; G03G
15/0891; G03G 15/0875; G03G
2215/0827; G03G 2215/0855; G03G
21/1842

See application file for complete search history.

(56) **References Cited**

U.S. PATENT DOCUMENTS

D517,110 S * 3/2006 Tanaka D16/237
7,042,712 B2 * 5/2006 Ghosh G06F 1/1605
206/320
D530,737 S * 10/2006 Lim D18/50
D552,151 S * 10/2007 Solomon D16/225
D553,106 S * 10/2007 Griffin D14/217
D556,019 S * 11/2007 Symons D8/356

D580,441 S * 11/2008 Mori D14/434
D585,399 S * 1/2009 Hwang D14/130
D592,625 S * 5/2009 Hwang D14/130
D602,271 S * 10/2009 Schwartz D6/355
D634,316 S * 3/2011 Van Den Nieuwenhuizen
D14/336
D644,446 S * 9/2011 Schwartz D6/349
D665,013 S * 8/2012 Ishikawa D18/50
D667,012 S * 9/2012 Chen D14/447
D688,659 S * 8/2013 Yusef D14/335
D691,144 S * 10/2013 Peters D14/440
D699,232 S * 2/2014 Jung D14/239
D725,784 S * 3/2015 Xia D24/186
D731,499 S * 6/2015 Tseng D14/451
D731,966 S * 6/2015 Rabalais D13/107
D738,308 S * 9/2015 Sumwalt D13/138.1
D744,586 S * 12/2015 Chung D15/122
D746,345 S * 12/2015 Kida D15/135
D762,613 S * 8/2016 Garneau D14/172
D765,771 S * 9/2016 Kim D18/49
D803,218 S * 11/2017 Zhou D14/420
D816,647 S * 5/2018 Li D14/240
D820,830 S * 6/2018 Lee D14/341
D842,296 S * 3/2019 Oross D14/307

* cited by examiner

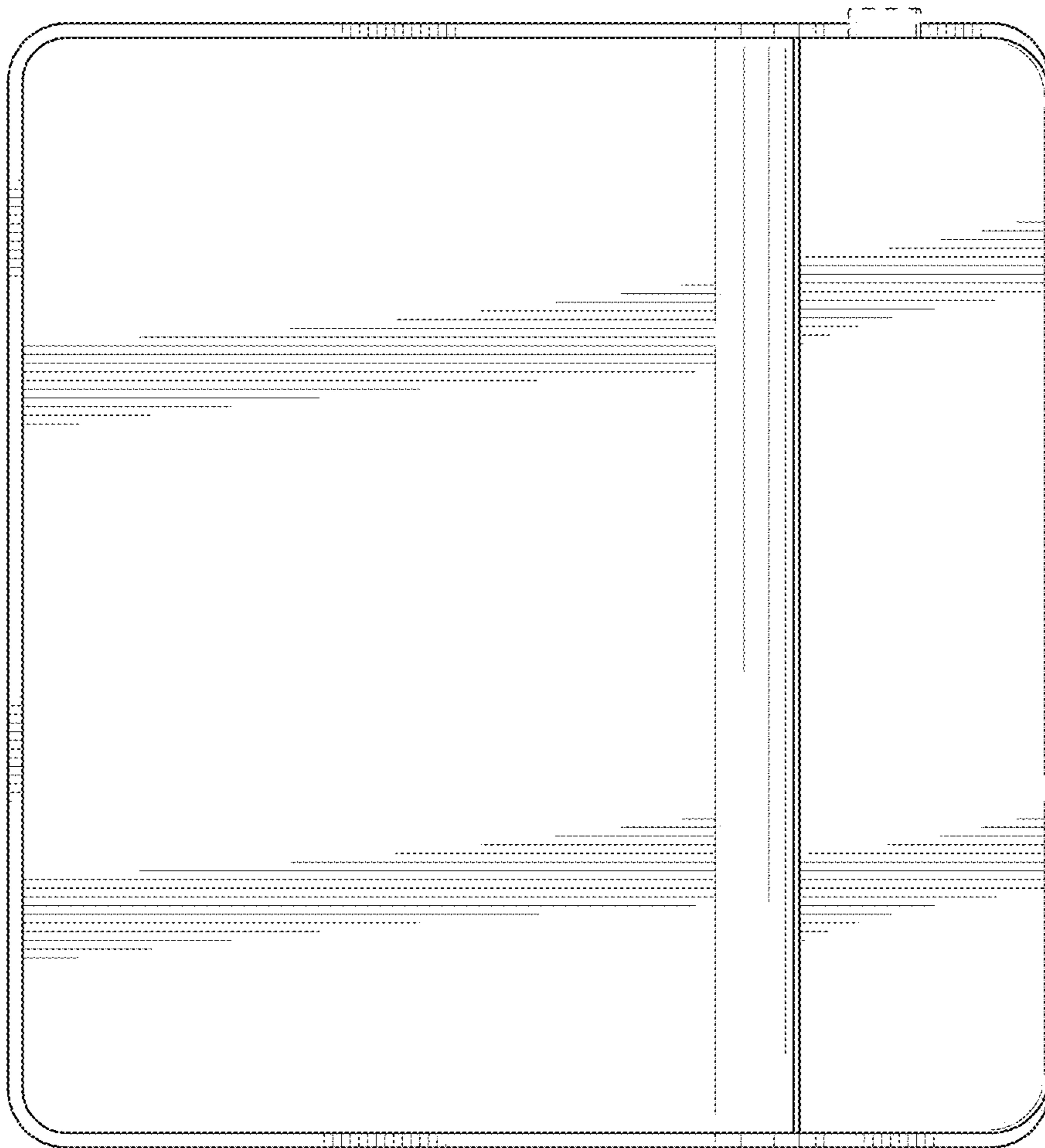


FIG. 1

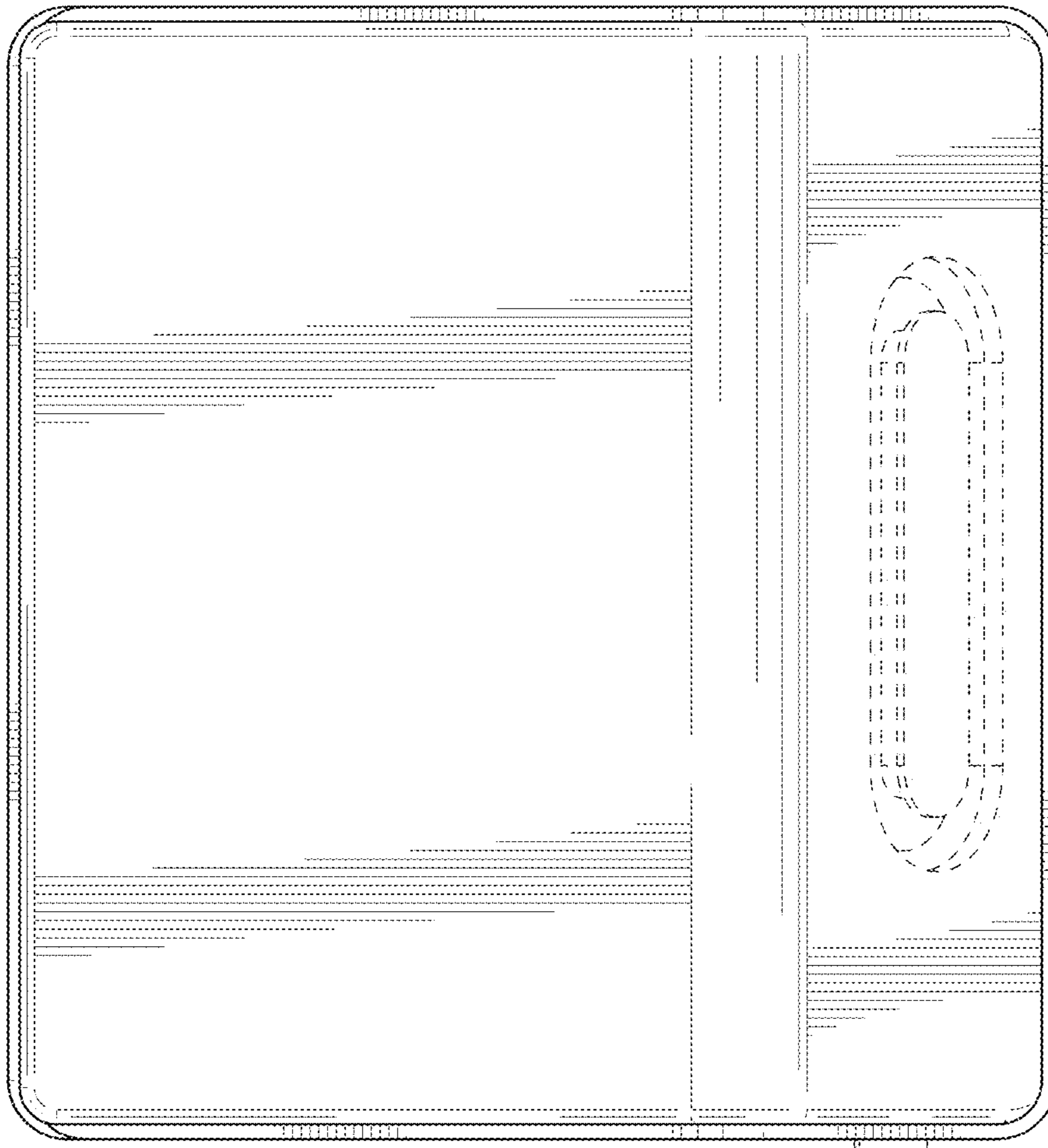


FIG. 2

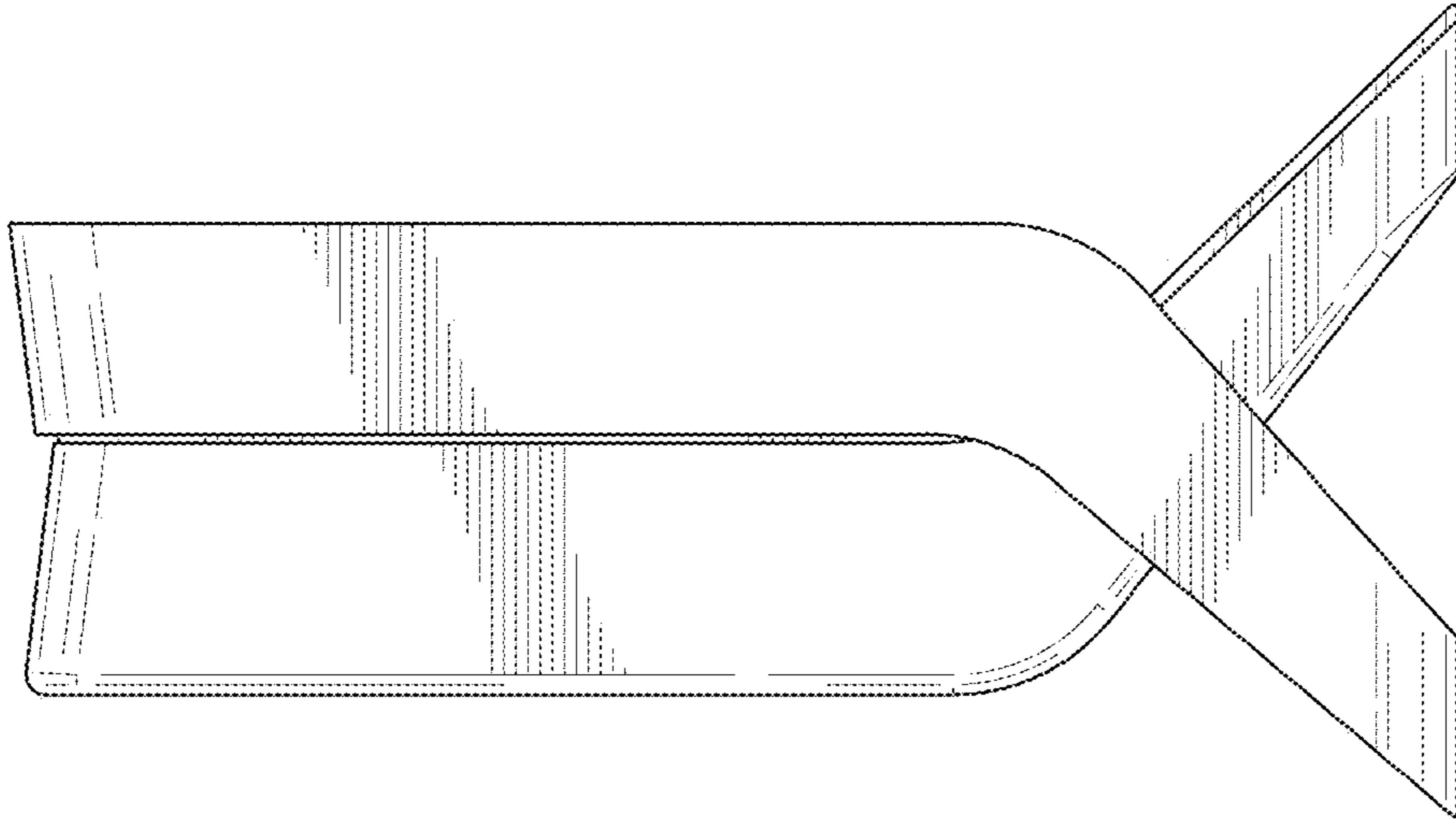


FIG. 3

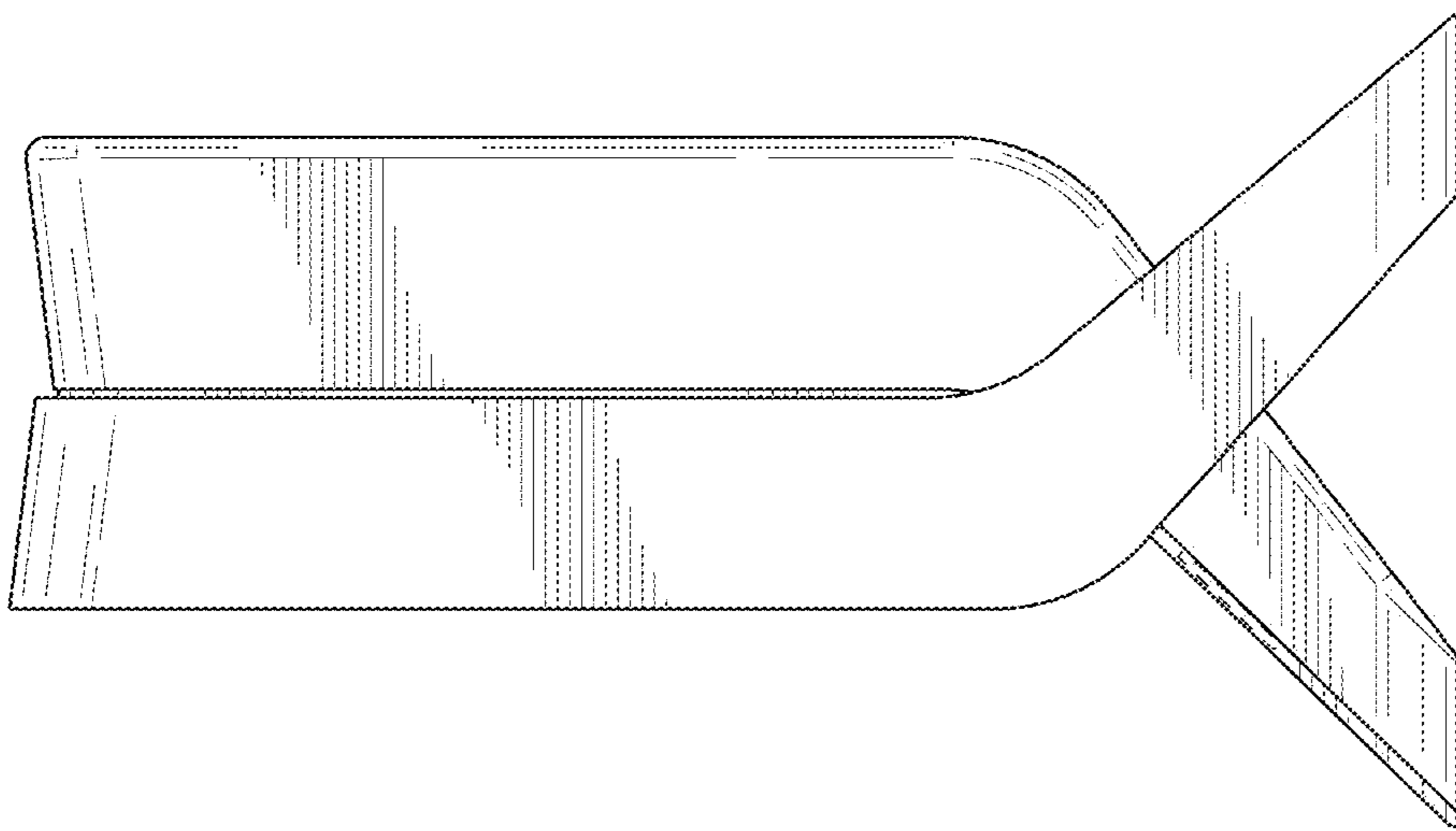


FIG. 4

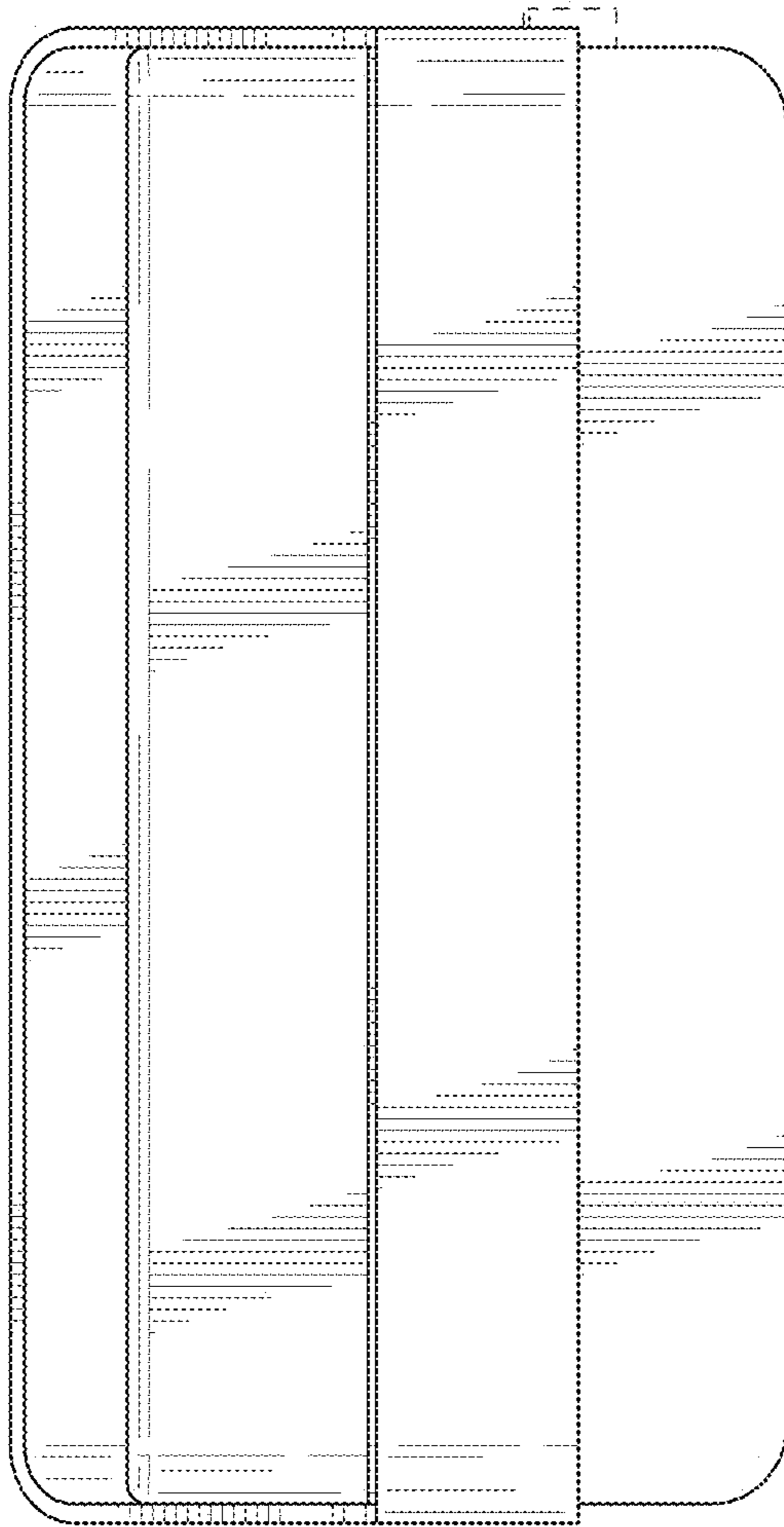


FIG. 5

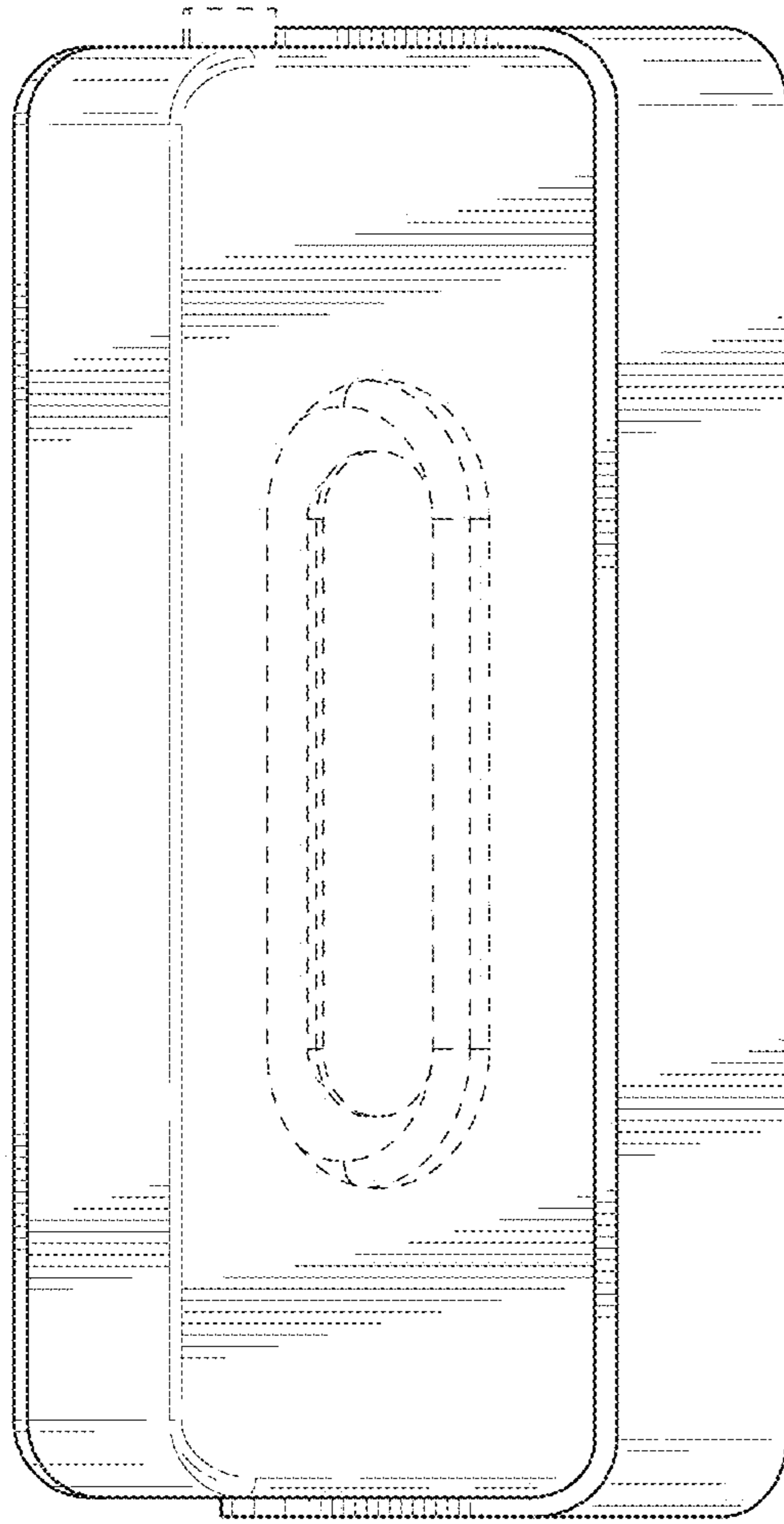


FIG. 6

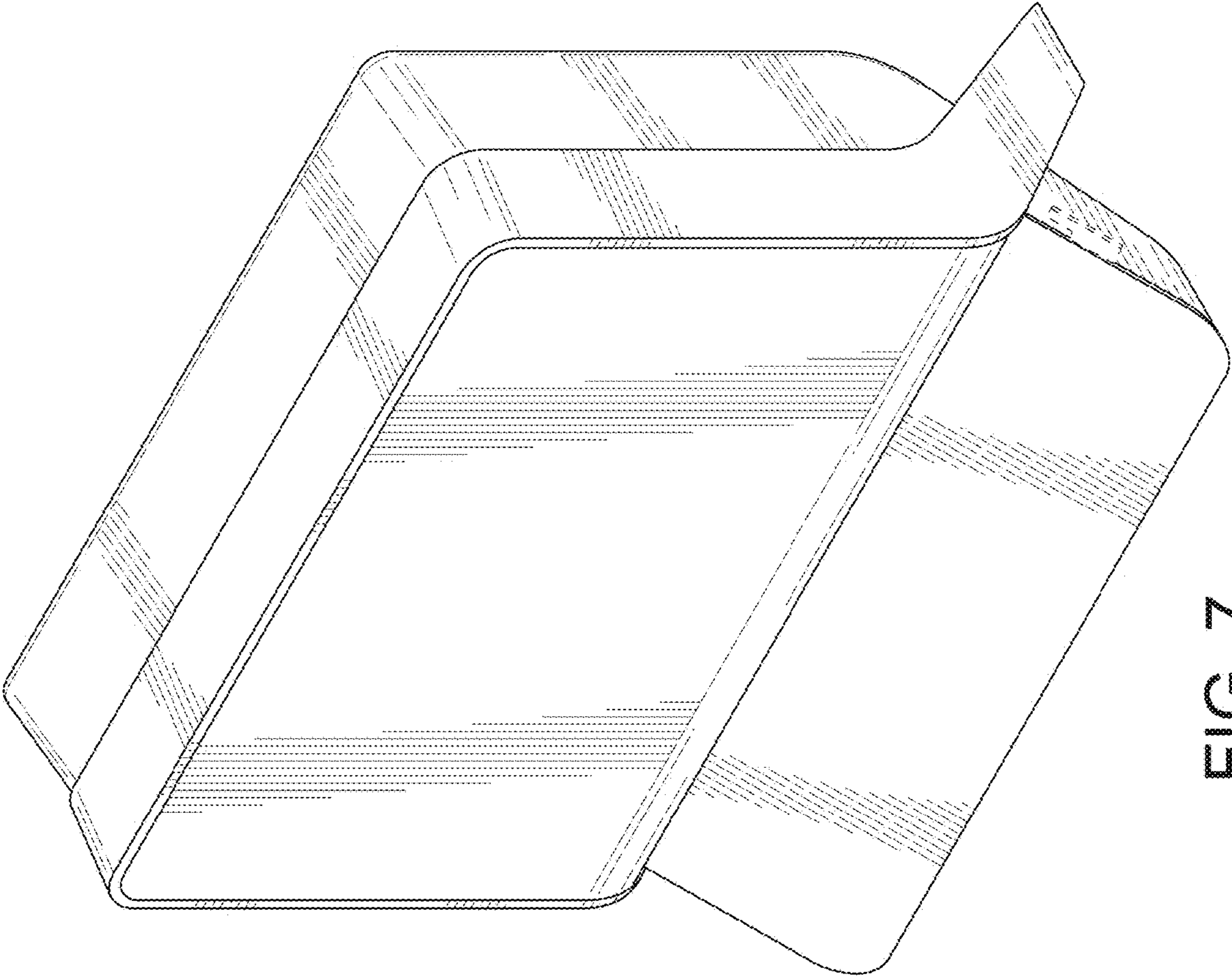


FIG. 7

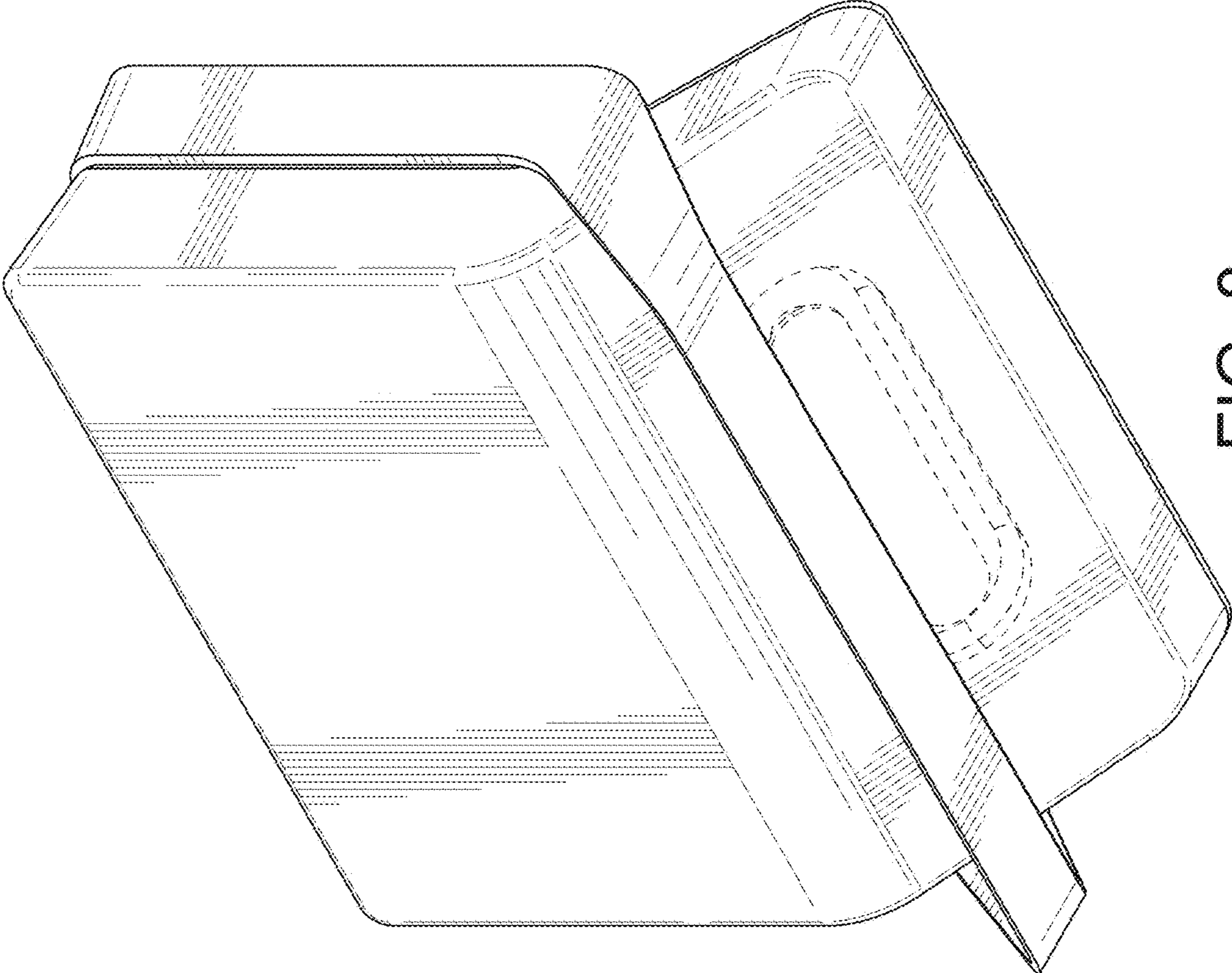


FIG. 8

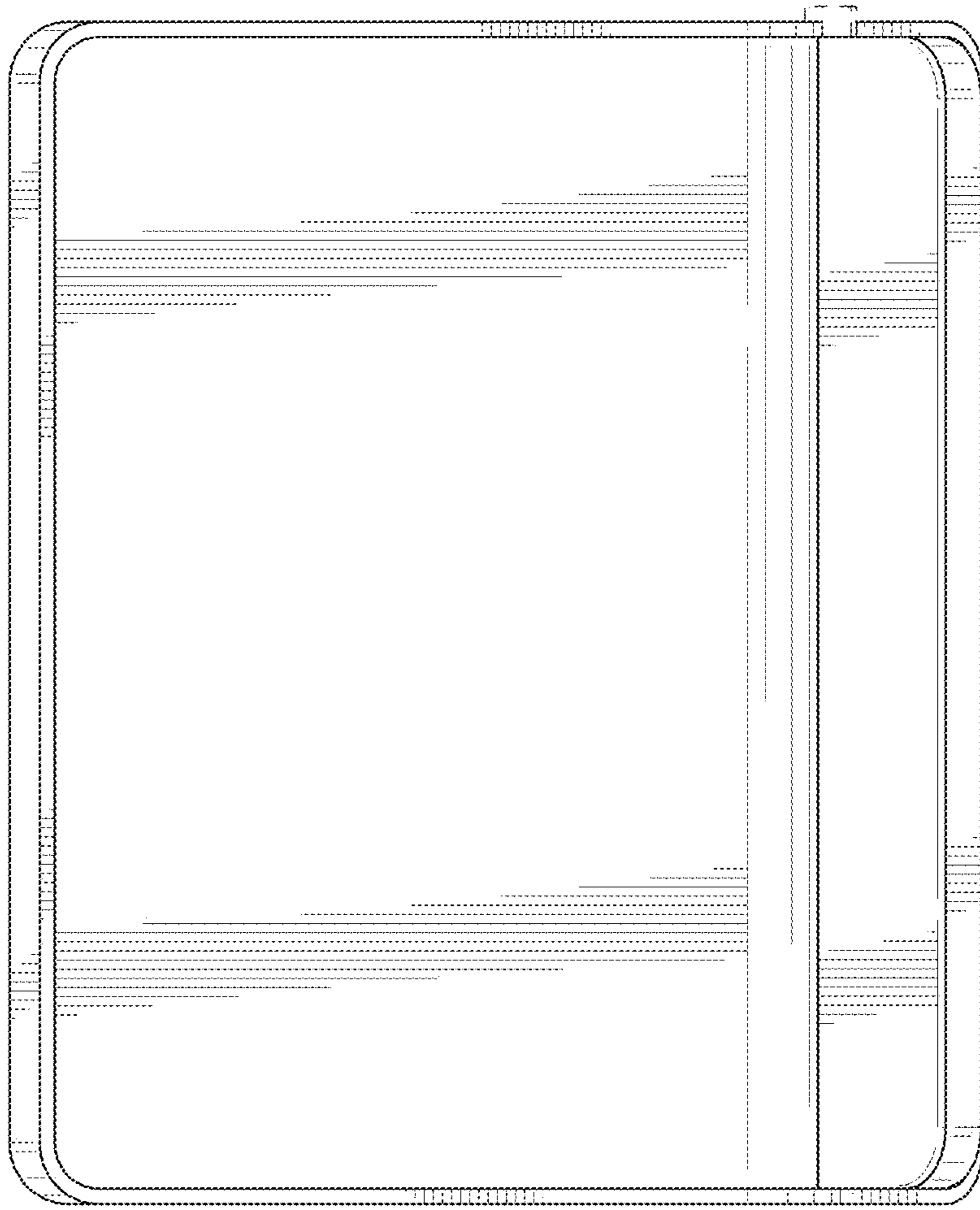


FIG. 9

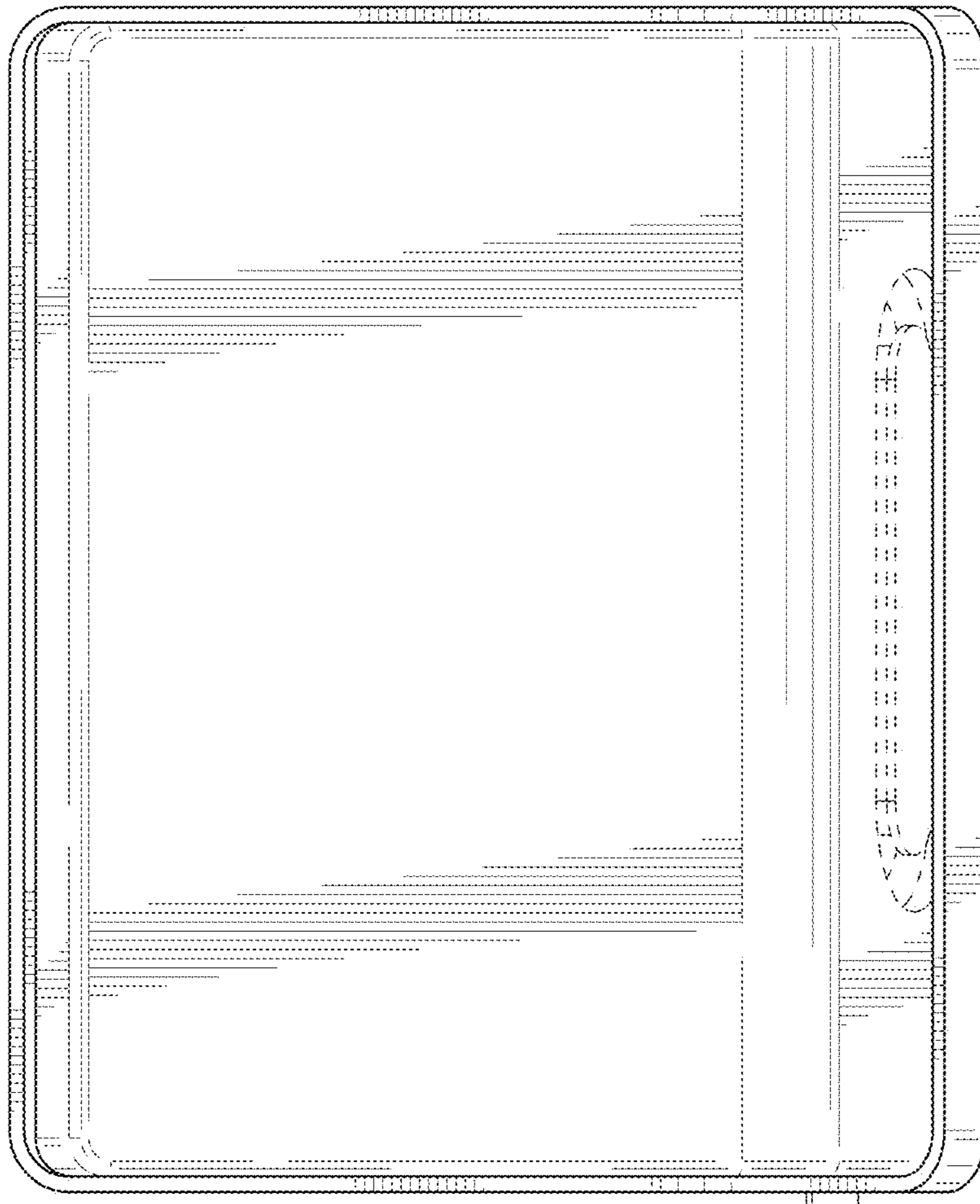


FIG. 10

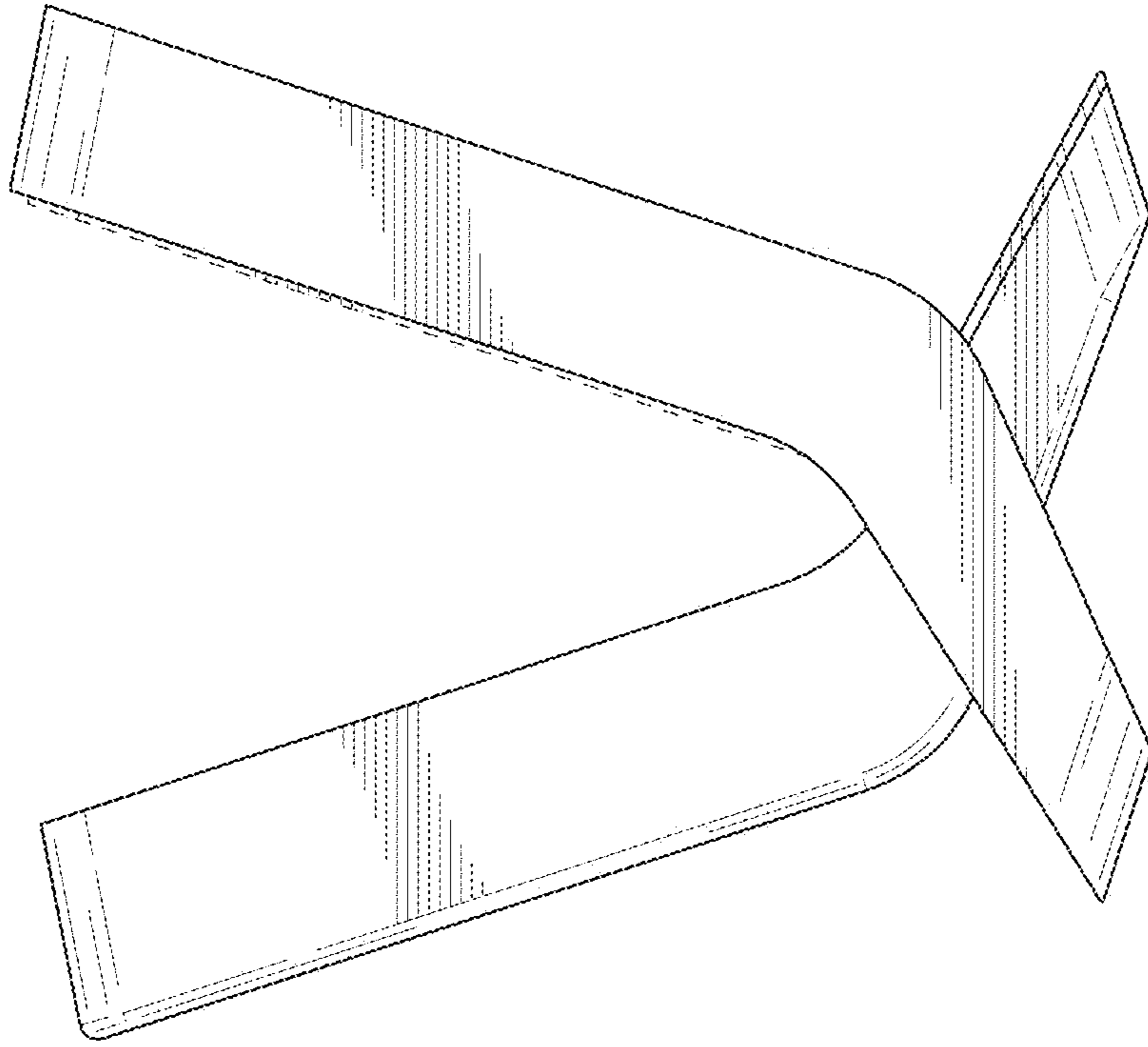


FIG. 11

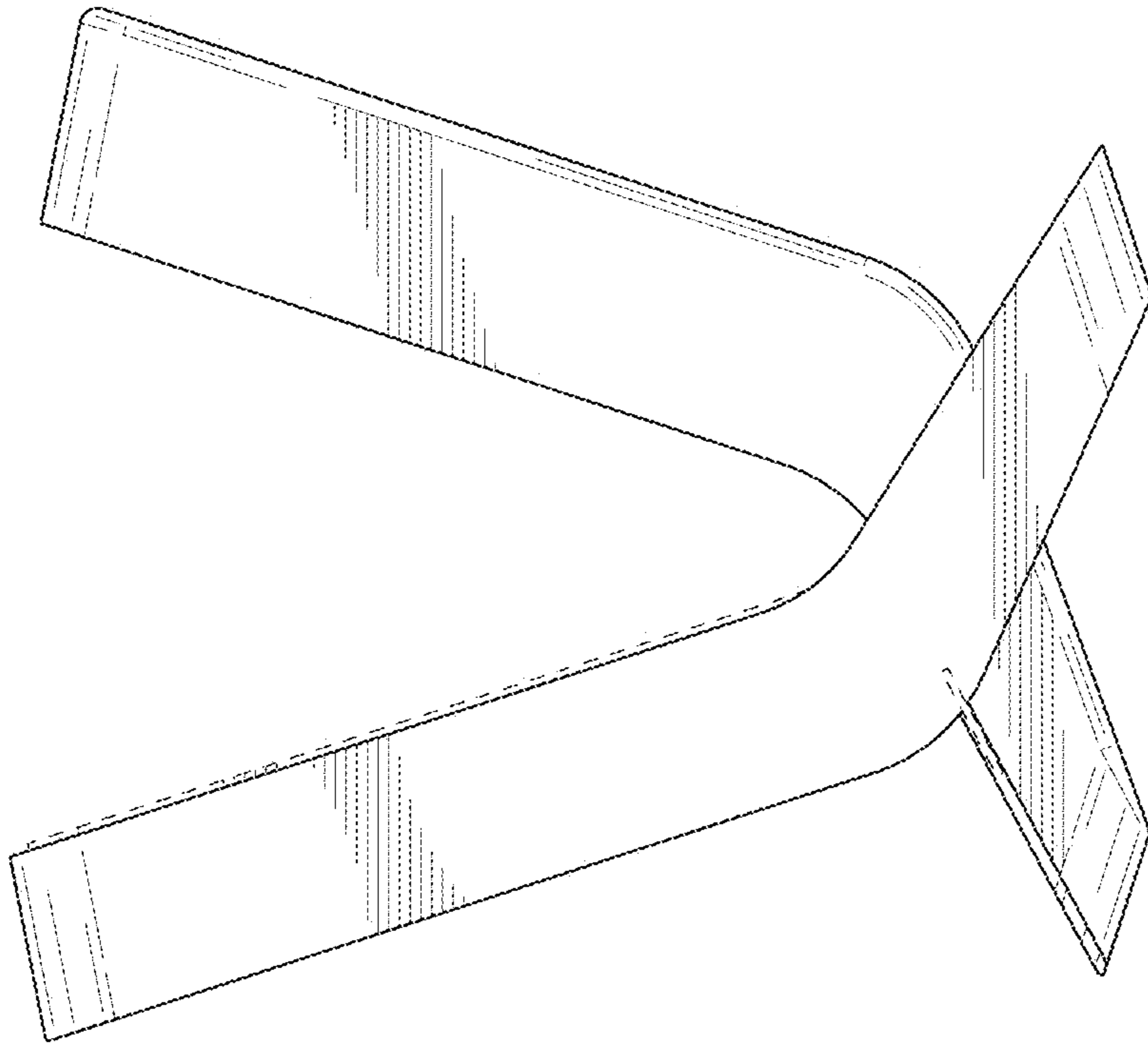


FIG. 12

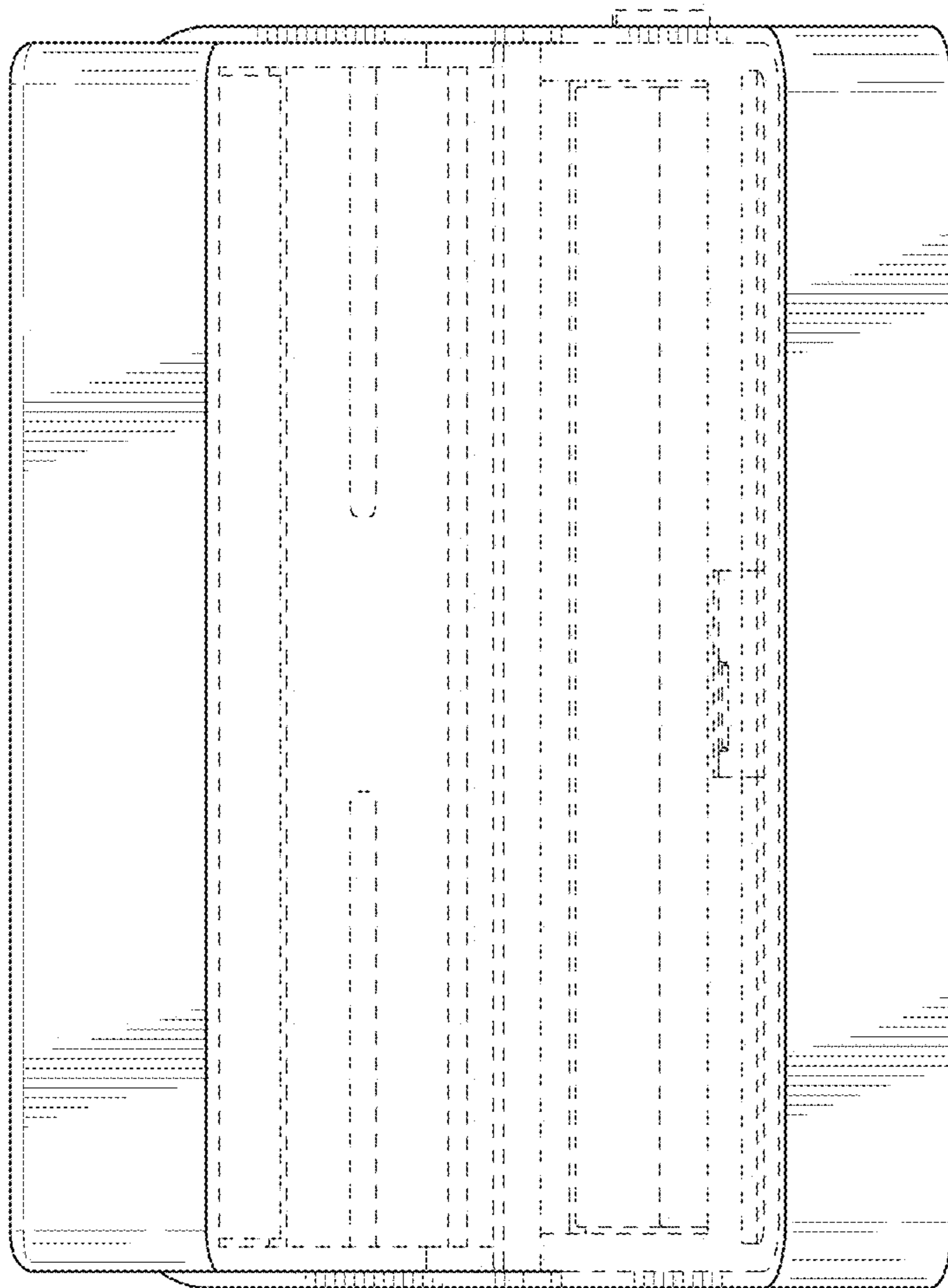


FIG. 13

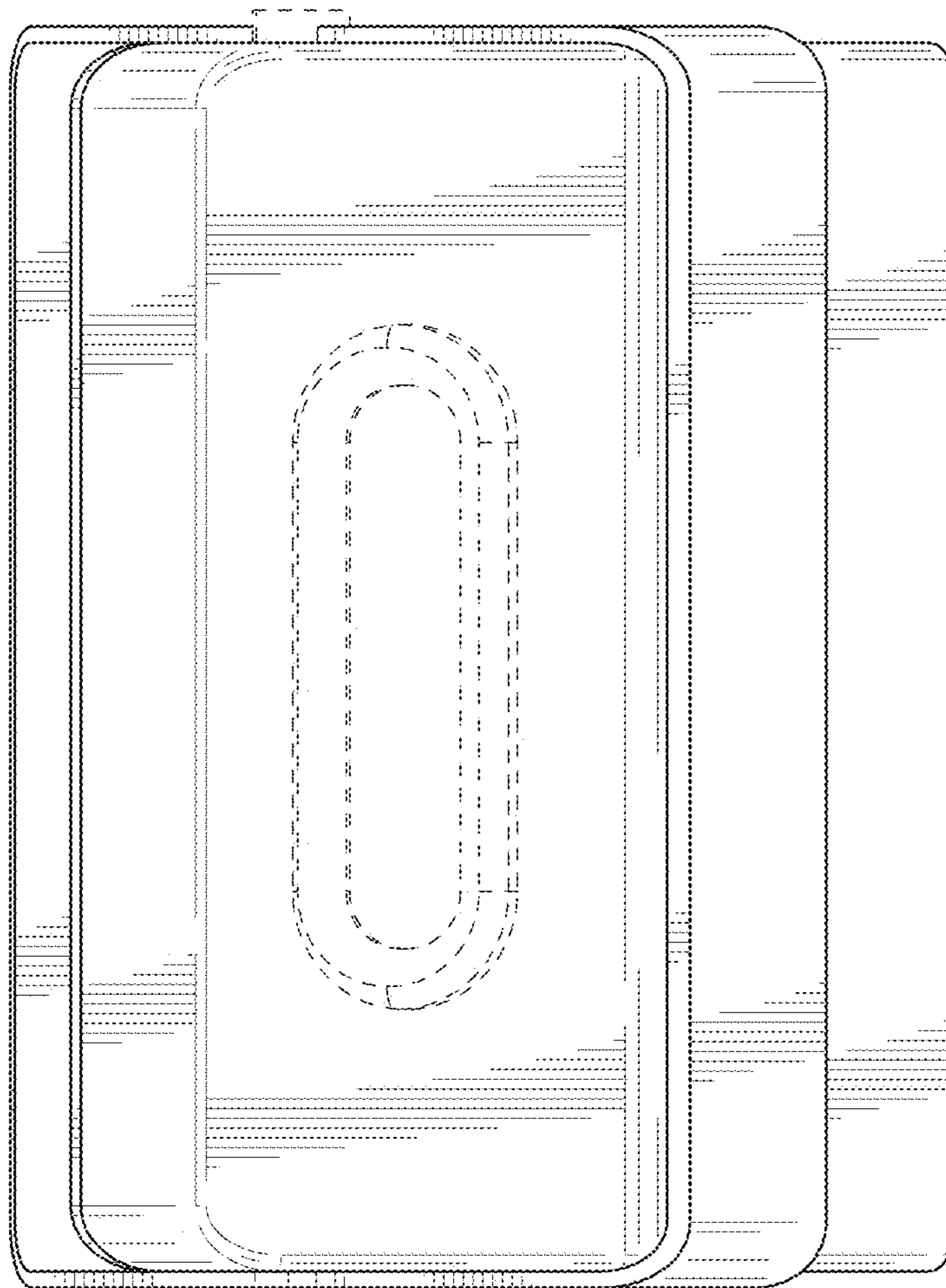


FIG. 14

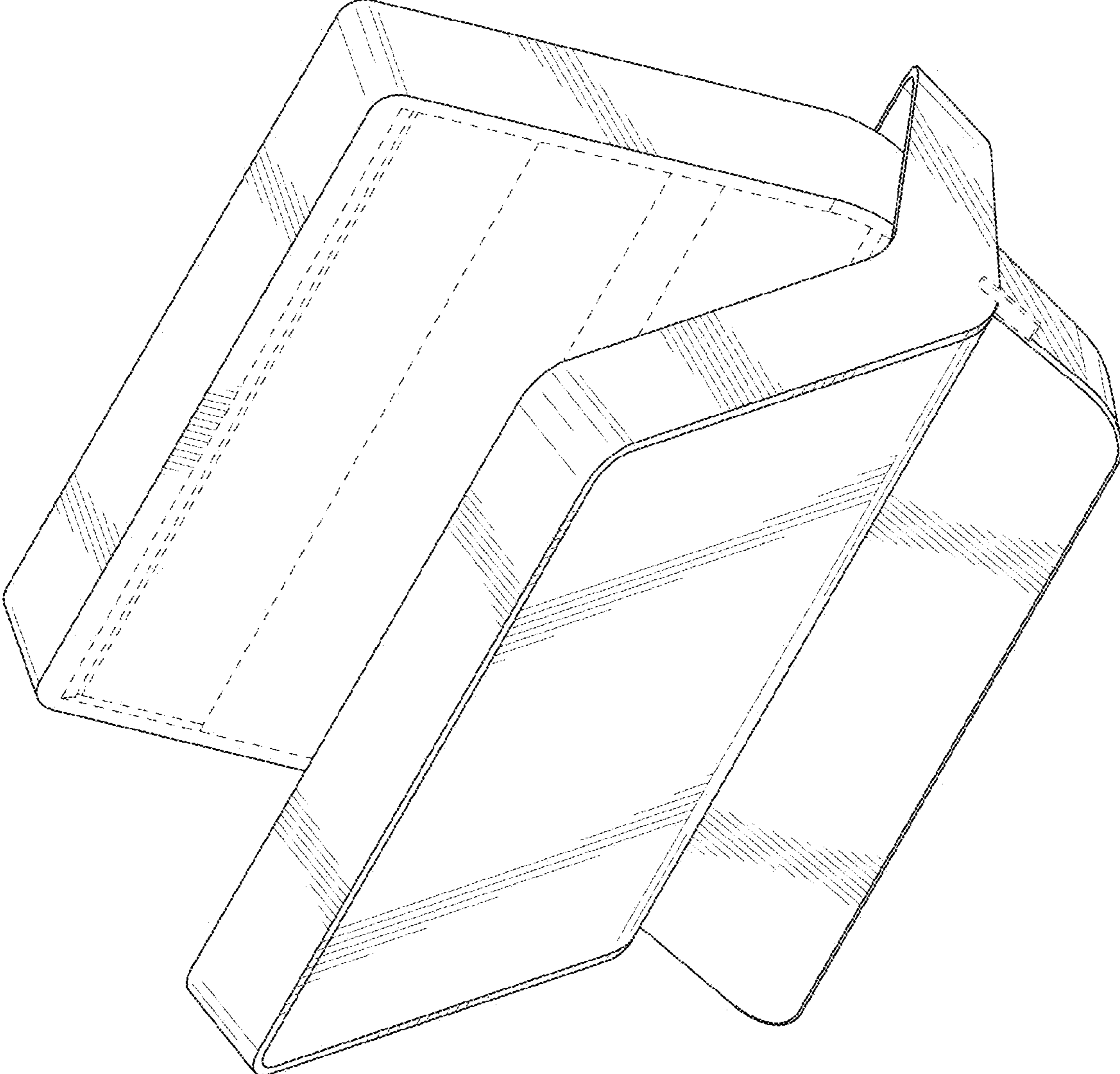


FIG. 15

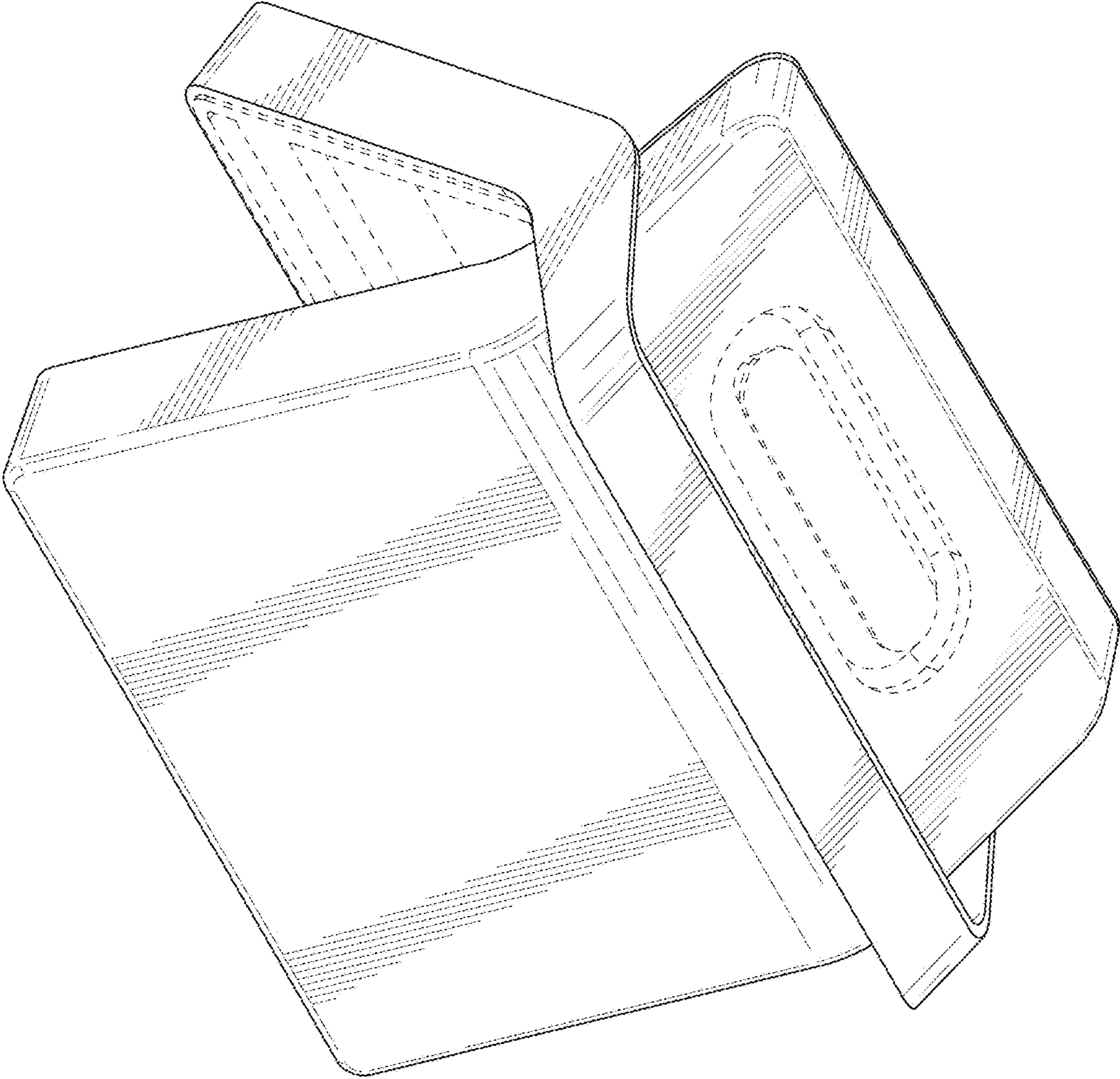


FIG. 16