



US00D903752S

(12) **United States Design Patent**
Rhone

(10) **Patent No.:** **US D903,752 S**

(45) **Date of Patent:** **** Dec. 1, 2020**

(54) **CLIP-ON FOR PIANO KEYS AND ELECTRONIC KEYBOARD KEYS**

(71) Applicant: **Jarvis O'Neal Rhone**, Kansas City, KS (US)

(72) Inventor: **Jarvis O'Neal Rhone**, Kansas City, KS (US)

(**) Term: **15 Years**

(21) Appl. No.: **29/726,950**

(22) Filed: **Mar. 6, 2020**

Related U.S. Application Data

(63) Continuation-in-part of application No. 29/672,110, filed on Dec. 3, 2018, now Pat. No. Des. 881,265.

(51) **LOC (12) Cl.** **17-09**

(52) **U.S. Cl.**
USPC **D17/1**

(58) **Field of Classification Search**
USPC D17/1, 7, 9; D21/409
CPC ... G10C 1/00; G10C 1/02; G10C 3/00; G10C 3/12
See application file for complete search history.

(56) **References Cited**

U.S. PATENT DOCUMENTS

D34,092 S * 2/1901 Brock D17/9
3,263,550 A * 8/1966 Proll G10B 3/10
84/423 R

D259,229 S * 5/1981 Lady D5/31
D313,238 S * 12/1990 Saraceni D17/7
D549,766 S * 8/2007 Greenberg D17/2
D754,245 S * 4/2016 Wampold D17/2
D814,555 S * 4/2018 Poole D17/1
D835,181 S * 12/2018 Rosenberg D17/1
D881,265 S * 4/2020 Rhone D17/9
2016/0133234 A1 * 5/2016 Yoshizaki G10C 3/12
84/435

* cited by examiner

Primary Examiner — R. Johnson

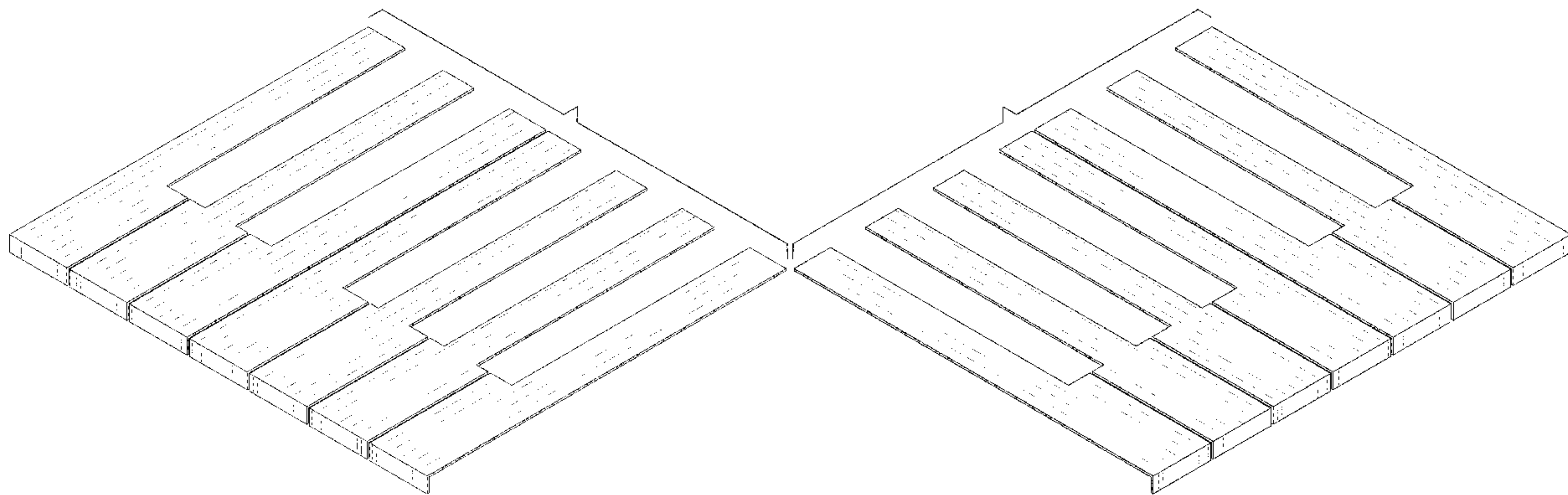
(57) **CLAIM**

The ornamental design for a clip-on for piano keys and electronic keyboard keys, as shown and described.

DESCRIPTION

FIG. 1 is a top right perspective view of a clip-on for piano keys and electronic keyboard keys;
FIG. 2 is a top left perspective view thereof;
FIG. 3 is a bottom right perspective view thereof;
FIG. 4 is a bottom left perspective view thereof;
FIG. 5 is a front elevational view thereof;
FIG. 6 is a rear elevational view thereof;
FIG. 7 is a right-side elevational view thereof;
FIG. 8 is a left-side elevational view thereof;
FIG. 9 is a top plan view thereof; and,
FIG. 10 is a bottom plan view thereof.

1 Claim, 10 Drawing Sheets



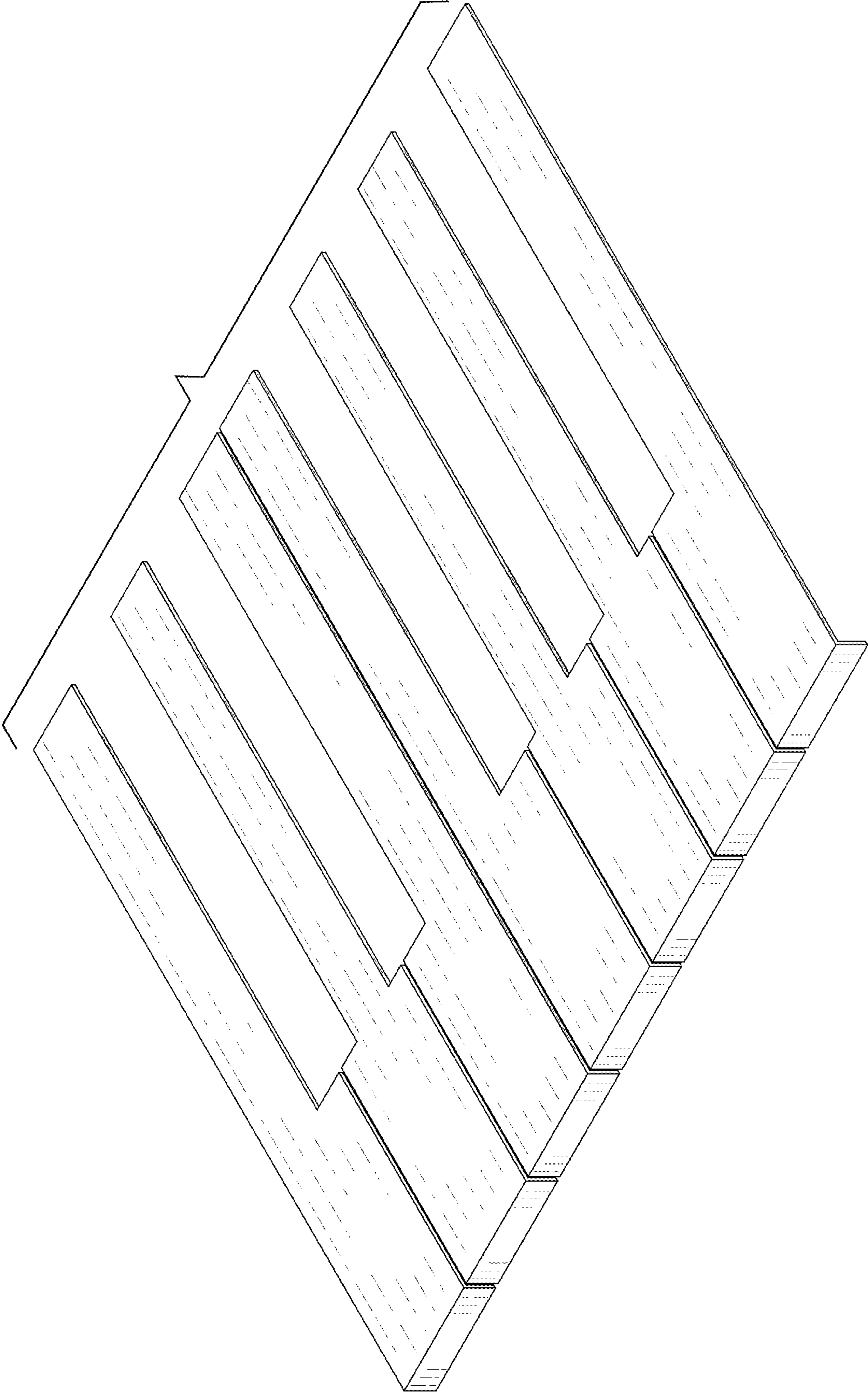


FIG. 1

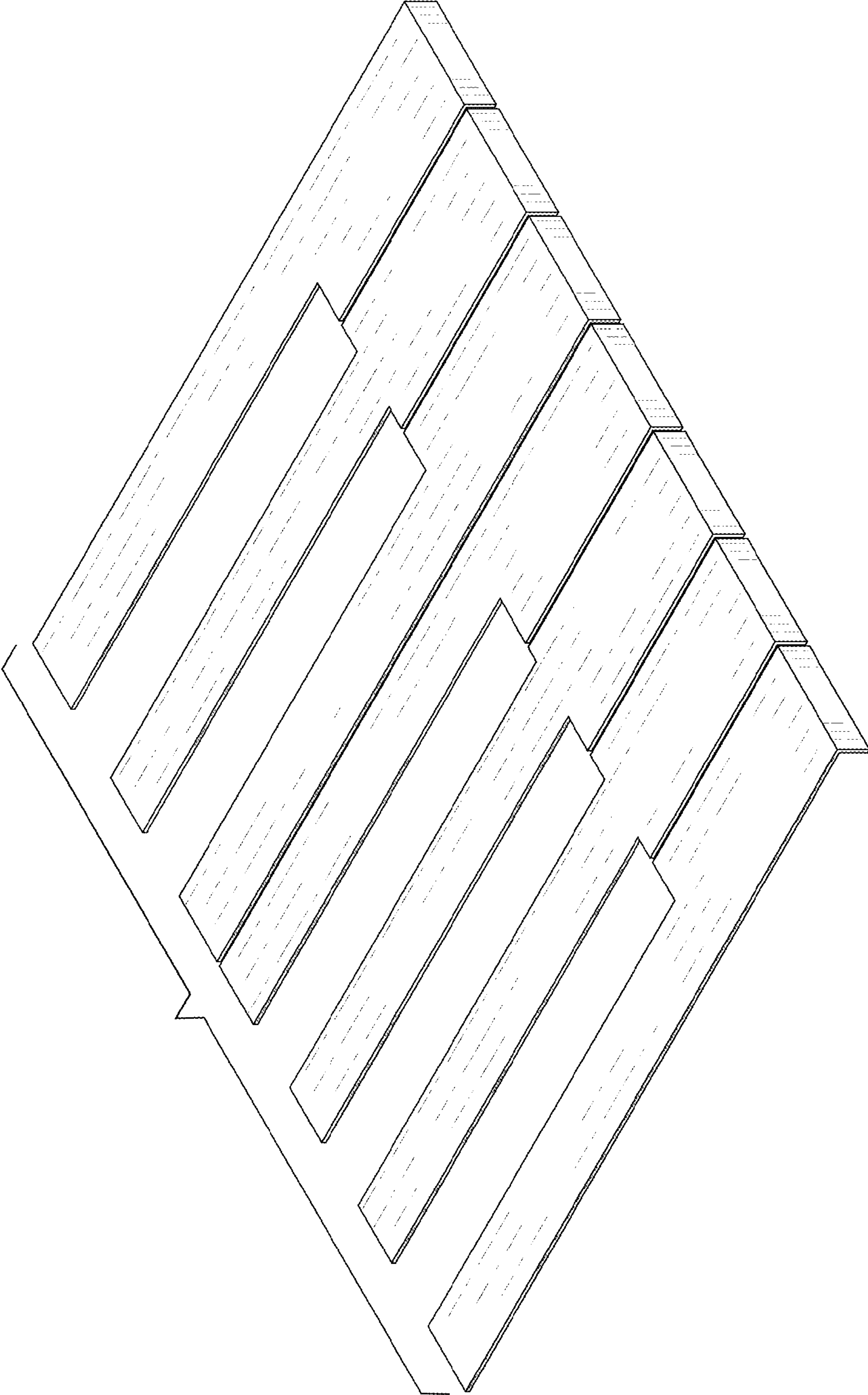


FIG. 2

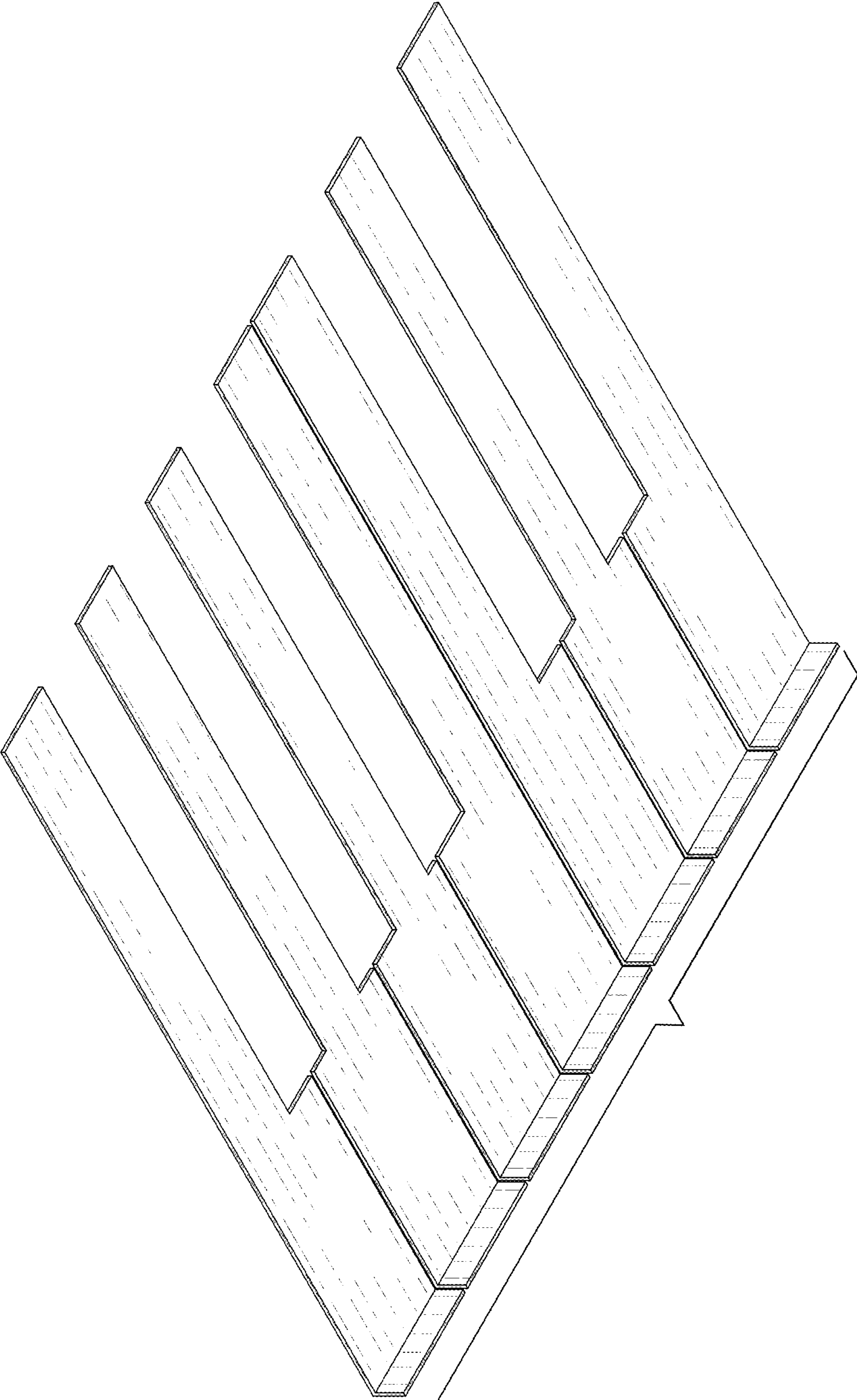


FIG. 3

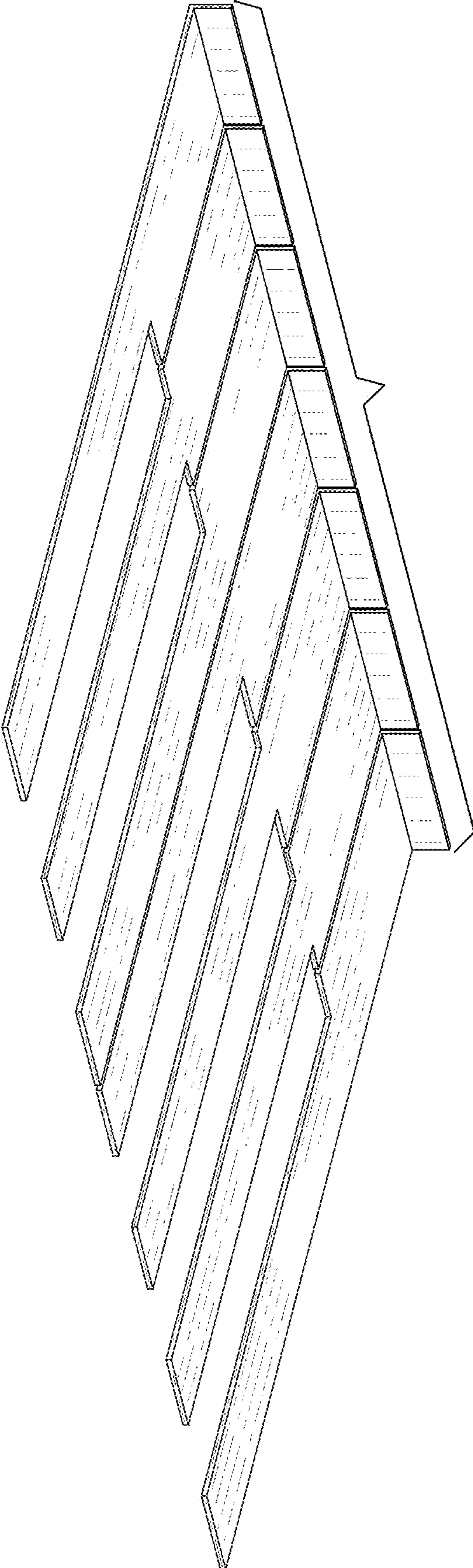


FIG. 4

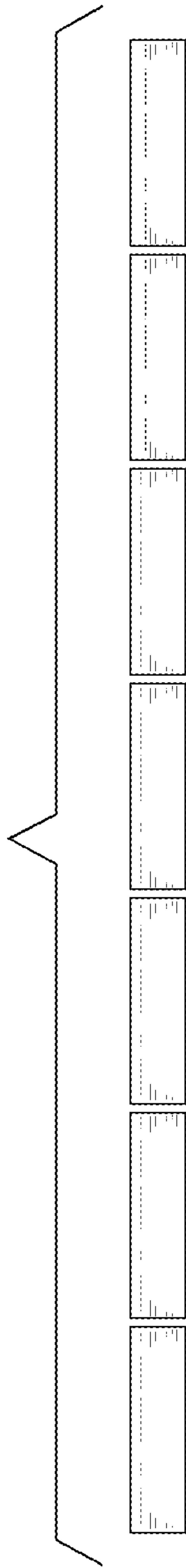


FIG. 5

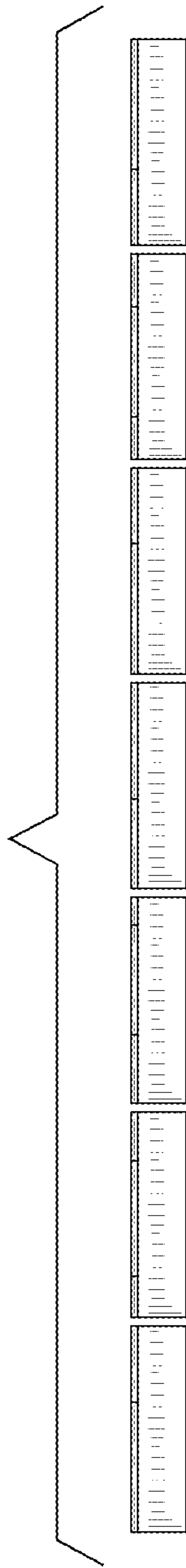


FIG. 6



FIG. 7



FIG. 8

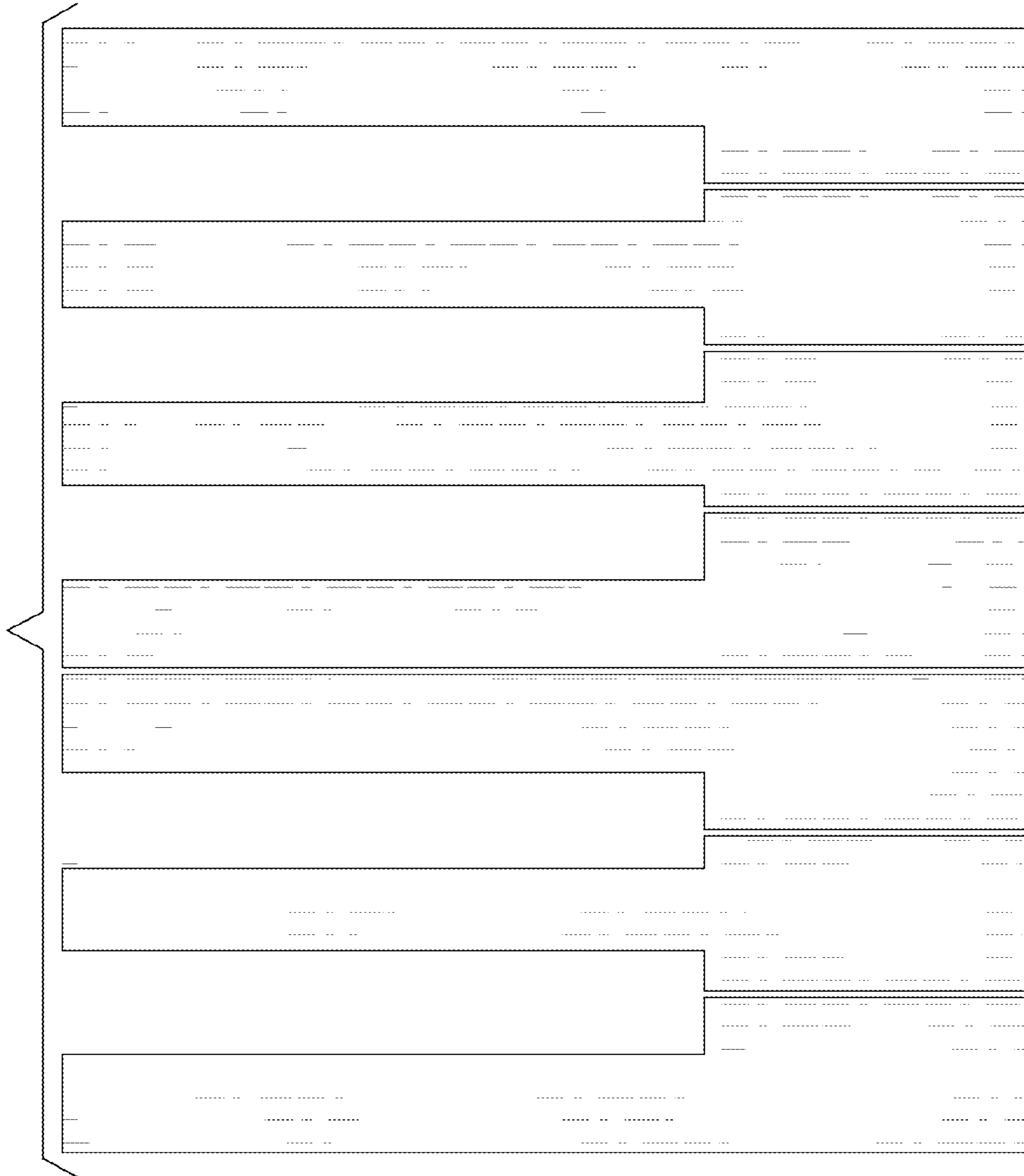


FIG. 9

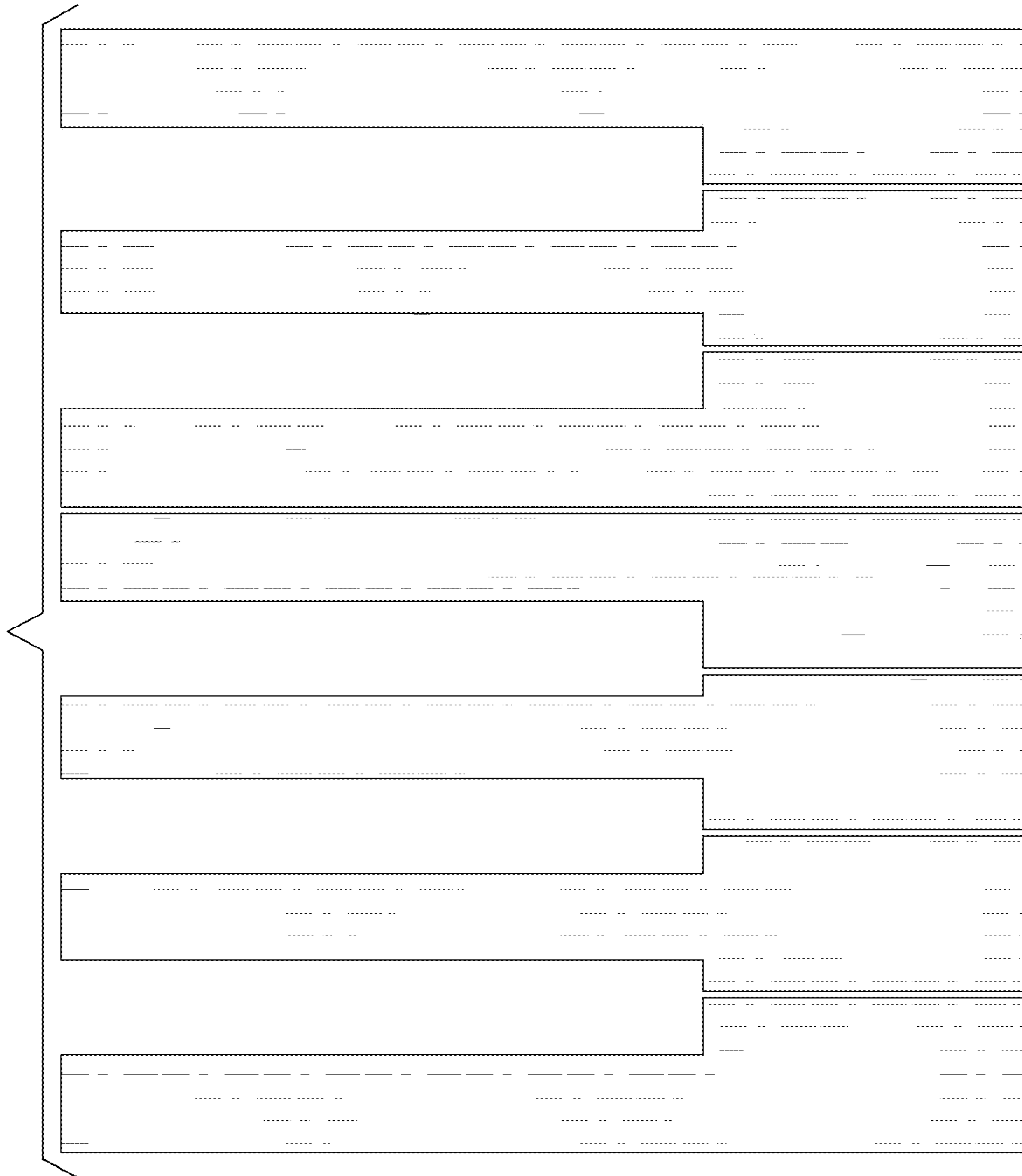


FIG. 10