



US00D903750S

(12) **United States Design Patent** (10) **Patent No.:** **US D903,750 S**  
**Li** (45) **Date of Patent:** **\*\* Dec. 1, 2020**

(54) **SUNGLASSES**

(71) Applicant: **Guangzhou Suntrons Technology Co., Ltd.**, Guangzhou (CN)

(72) Inventor: **Ziping Li**, Guangzhou (CN)

(73) Assignee: **GUANGZHOU SUNTRONS TECHNOLOGY CO., LTD.**, Guangzhou (CN)

(\*\*) Term: **15 Years**

(21) Appl. No.: **29/689,197**

(22) Filed: **Apr. 28, 2019**

(51) **LOC (12) Cl.** ..... **16-06**

(52) **U.S. Cl.**  
USPC ..... **D16/314**; D16/319; D16/321

(58) **Field of Classification Search**  
USPC ..... D16/100, 101, 300–329, 330, 332–342;  
D29/106, 107, 110  
CPC ... G02C 5/00; G02C 5/02; G02C 5/10; G02C  
5/14; G02C 5/16  
See application file for complete search history.

(56) **References Cited**

**U.S. PATENT DOCUMENTS**

D633,936 S *	3/2011	Wang-Lee	.....	D16/312
D646,317 S *	10/2011	Serlenga	.....	D16/315
D757,156 S *	5/2016	Wu	.....	D16/315
D759,150 S *	6/2016	Lin	.....	D16/315
D781,951 S *	3/2017	Michaud	.....	D16/314
D793,461 S *	8/2017	Allen	.....	D16/101
D811,469 S *	2/2018	Lee	.....	D16/315
D824,451 S *	7/2018	Chen	.....	D16/326
D829,269 S *	9/2018	Yang	.....	D16/315
D841,726 S *	2/2019	Yang	.....	D16/313
D857,088 S *	8/2019	Chen	.....	D16/315

D870,191 S *	12/2019	Earley	.....	D16/315
2015/0323808 A1 *	11/2015	Chen	.....	G02C 5/16 351/104
2016/0231597 A1 *	8/2016	Tipp	.....	G02C 5/146

**OTHER PUBLICATIONS**

Torege Polarized Sports Sunglasses . . . TR33, date first question answered Jun. 20, 2017, site visited Mar. 25, 2020, <[https://www.amazon.com/Polarized-Sunglasses-Cycling-Running-Driving/dp/B06XPMFXXB/ref=sr\\_1\\_fkmr0\\_2?dchild=1&keywords=torege+33&qid=1585189543&sr=8-2-fkmr0](https://www.amazon.com/Polarized-Sunglasses-Cycling-Running-Driving/dp/B06XPMFXXB/ref=sr_1_fkmr0_2?dchild=1&keywords=torege+33&qid=1585189543&sr=8-2-fkmr0)>.\*

\* cited by examiner

*Primary Examiner* — Cathron C Brooks

*Assistant Examiner* — Sharon S Oum

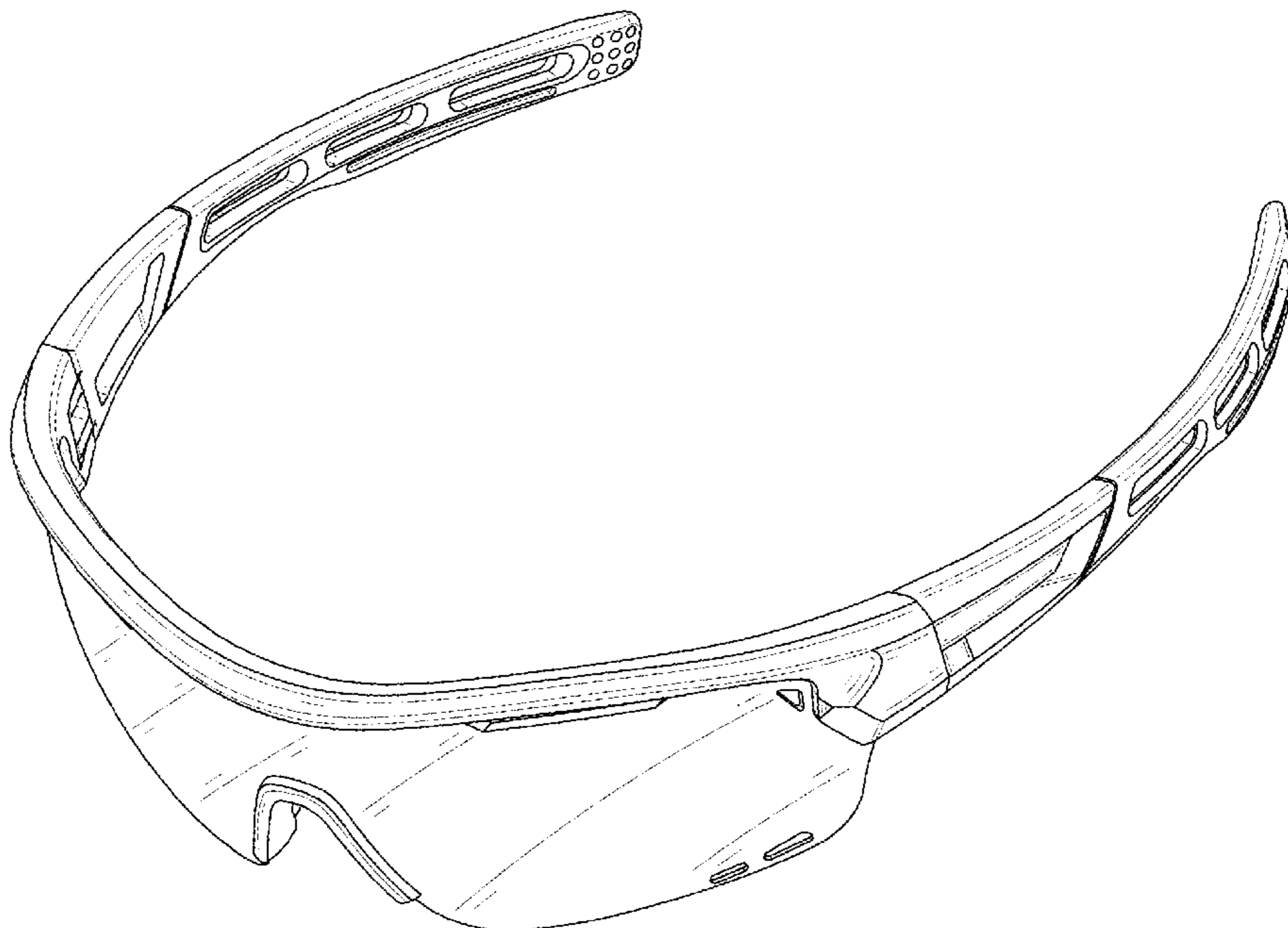
(57) **CLAIM**

The ornamental design for sunglasses, as shown and described.

**DESCRIPTION**

FIG. 1 is a perspective view of sunglasses showing my new design;  
FIG. 2 is another perspective view thereof;  
FIG. 3 is a front elevational view thereof;  
FIG. 4 is a rear elevational view thereof;  
FIG. 5 is a left side elevational view thereof;  
FIG. 6 is a right side elevational view thereof;  
FIG. 7 is a top plan view thereof; and,  
FIG. 8 is a bottom plan view thereof.  
The broken lines in the drawings depict portions of the sunglasses that form no part of the claimed design.

**1 Claim, 8 Drawing Sheets**



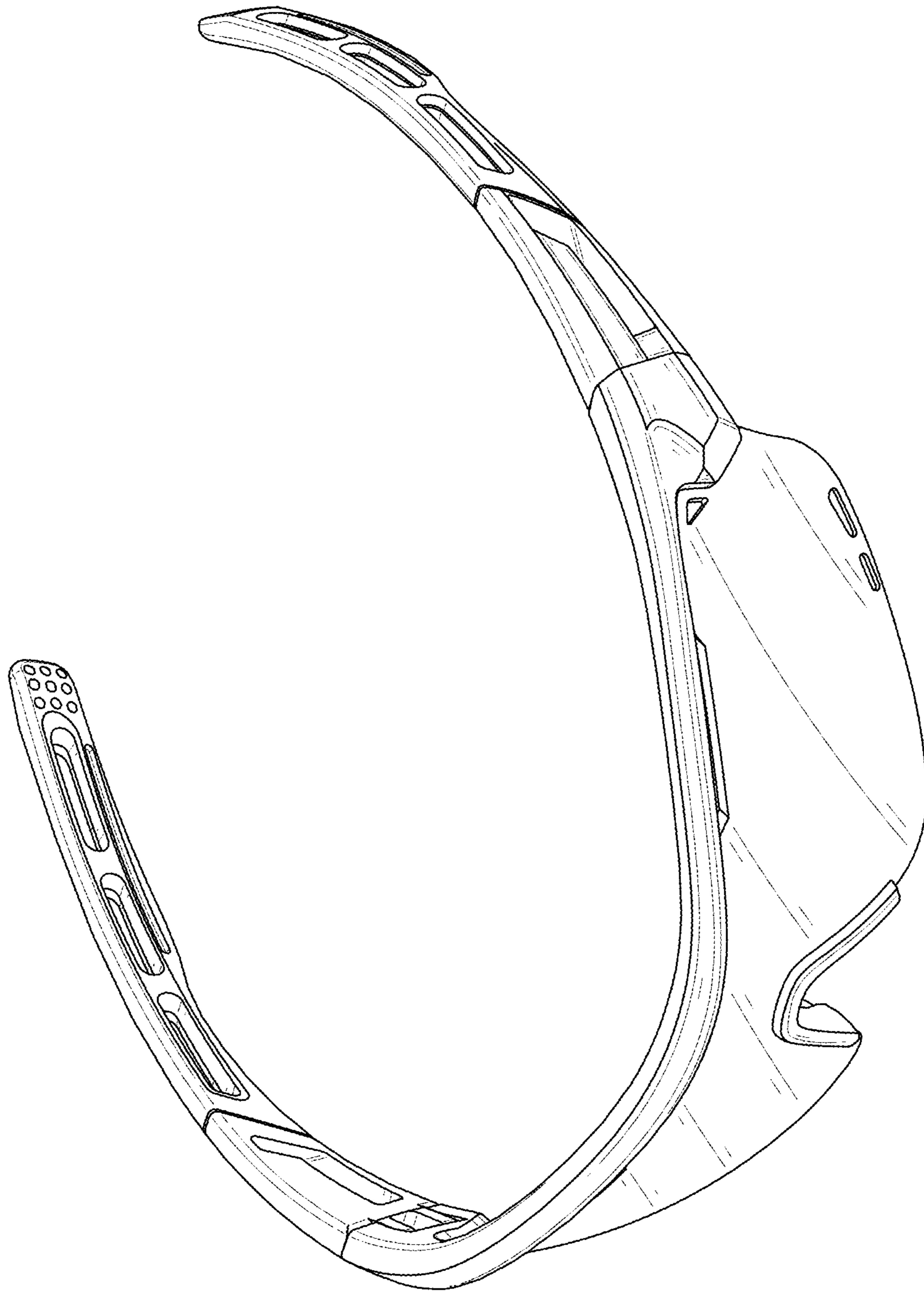


FIG. 1

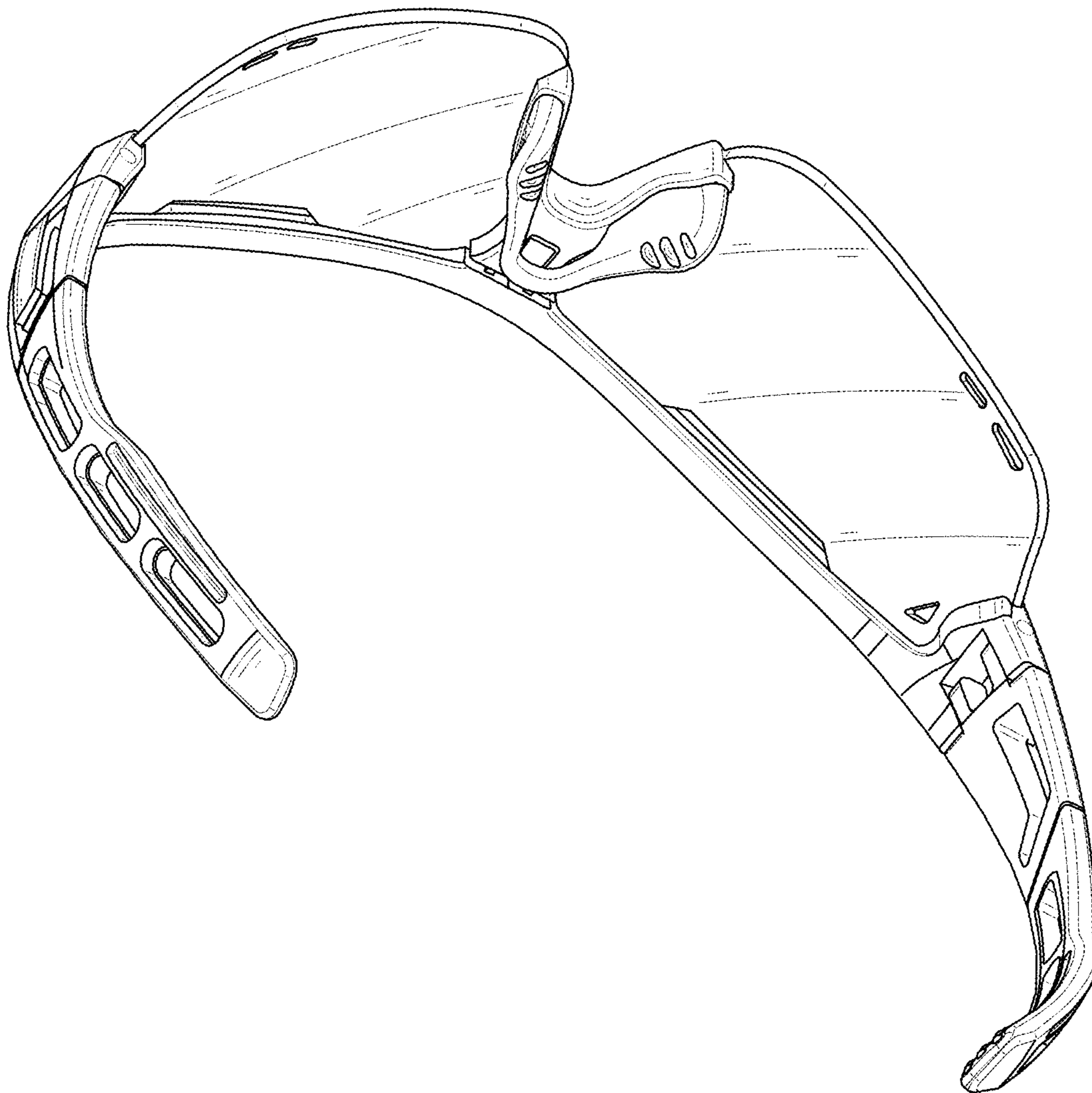


FIG. 2

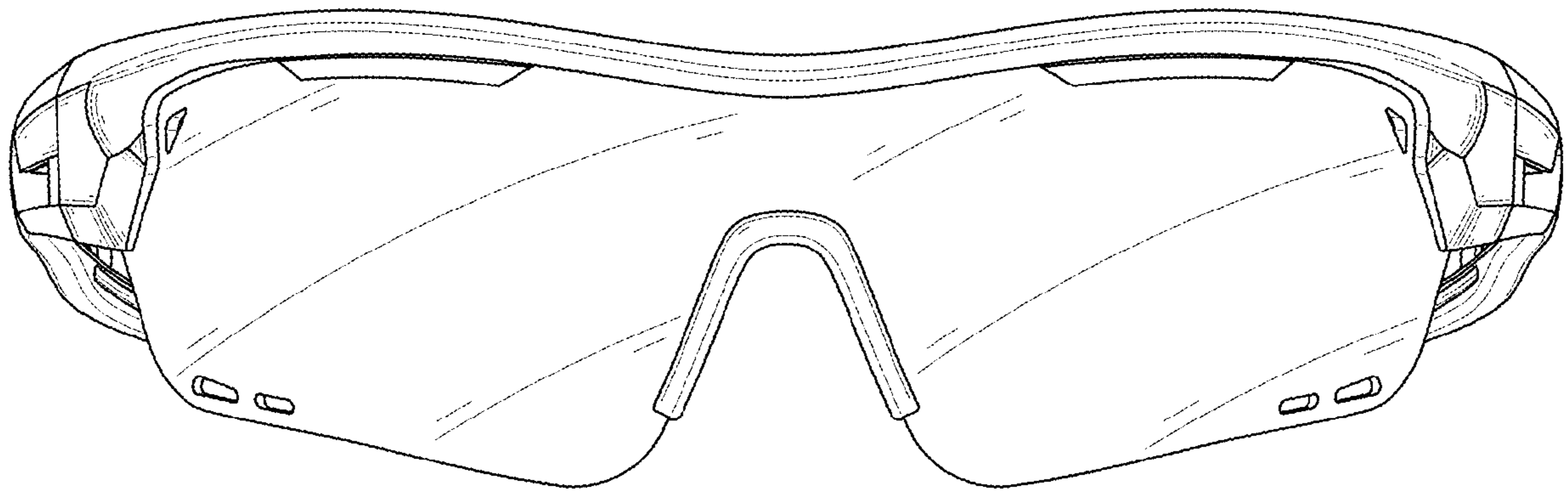


FIG. 3

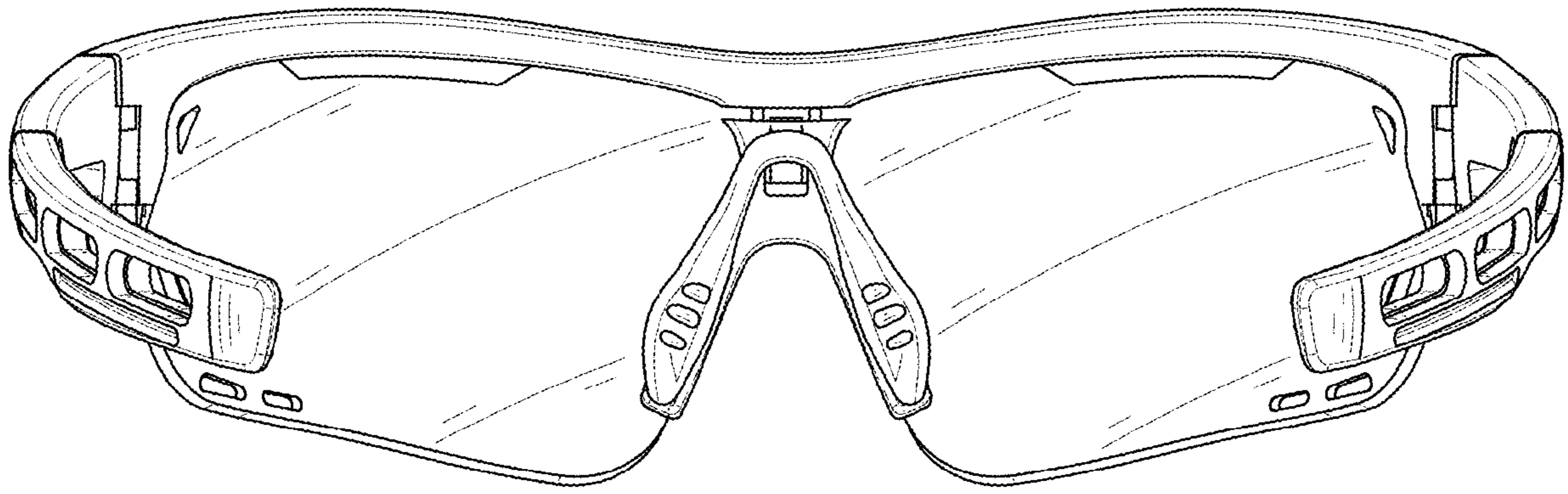


FIG. 4

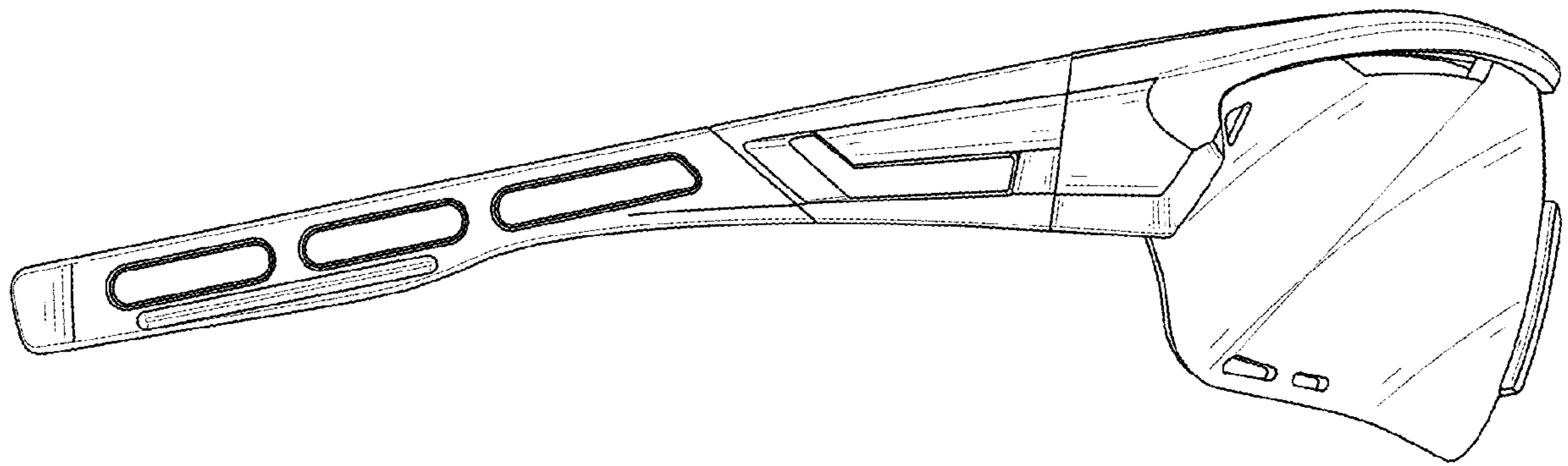


FIG. 5

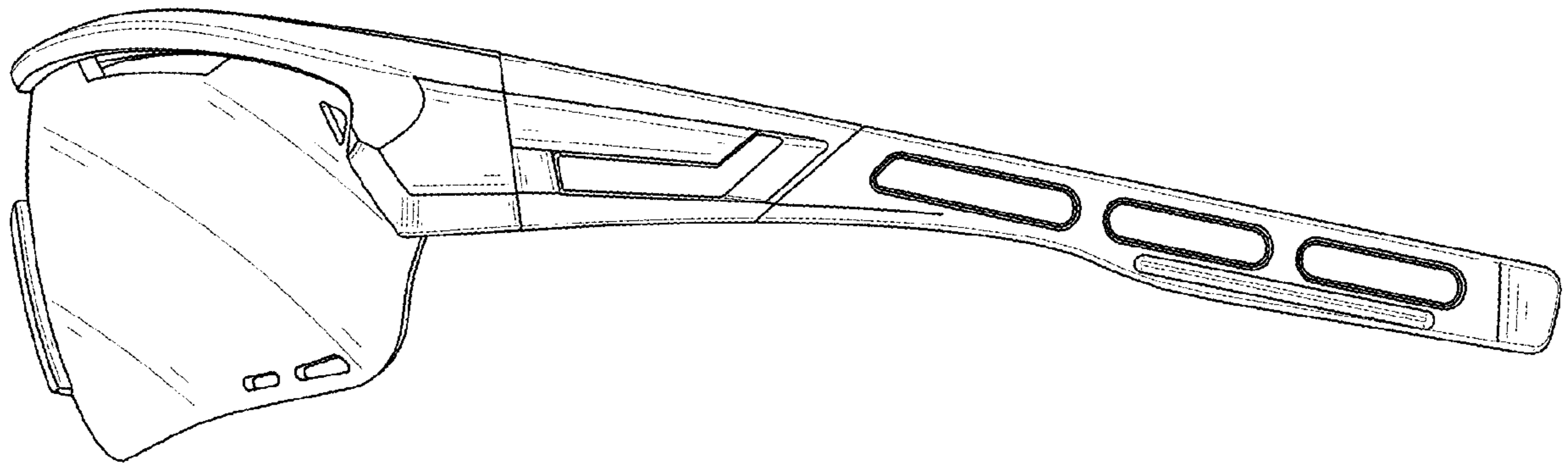


FIG. 6

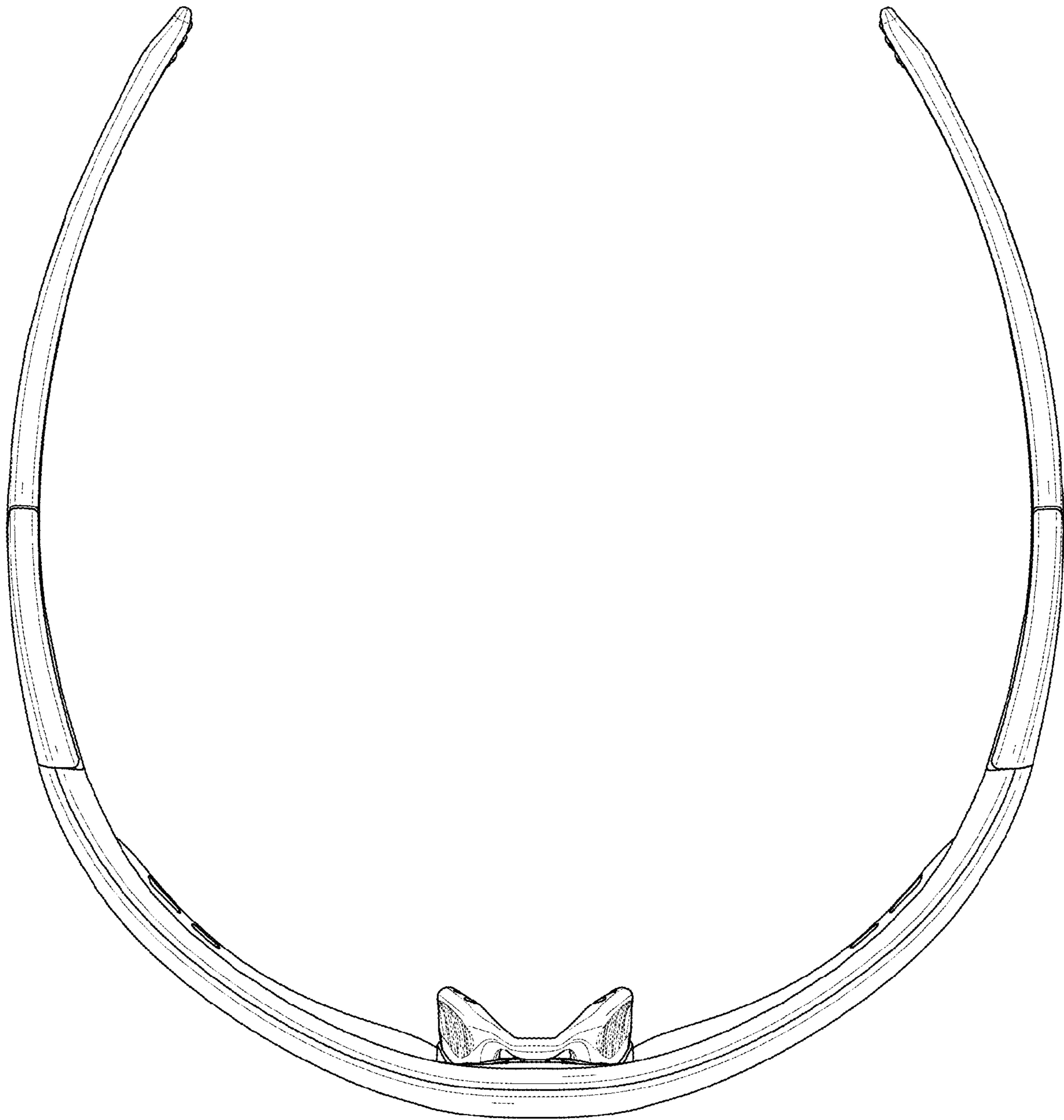


FIG. 7



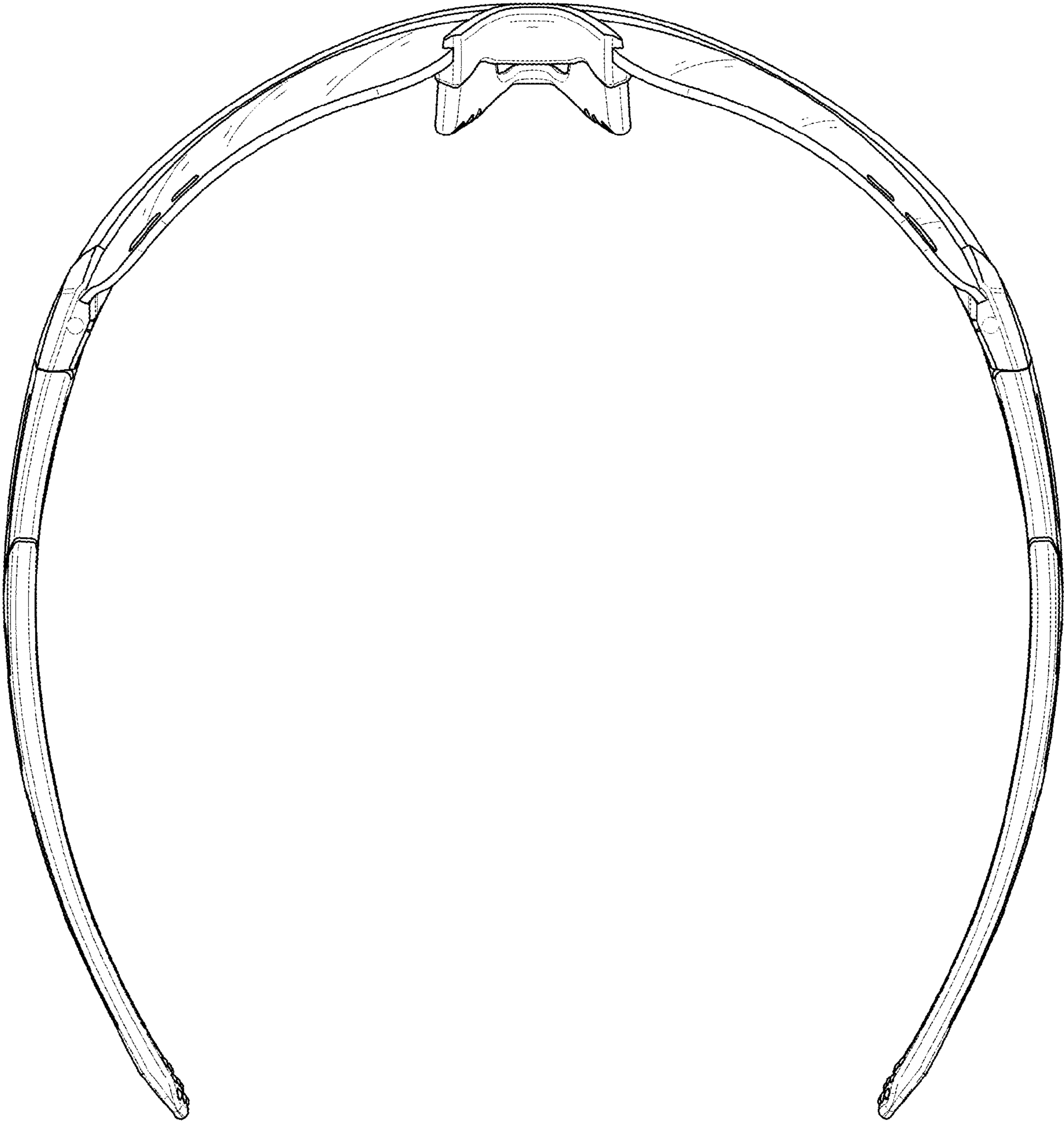


FIG. 8