



US00D903749S

(12) **United States Design Patent** (10) **Patent No.:** **US D903,749 S**
Li (45) **Date of Patent:** **** Dec. 1, 2020**

(54) **SUNGLASSES**
(71) Applicant: **Guangzhou Suntrons Technology Co., Ltd.,** Guangzhou (CN)
(72) Inventor: **Ziping Li,** Guangzhou (CN)
(73) Assignee: **GUANGZHOU SUNTRONS TECHNOLOGY CO., LTD.,** Guangzhou (CN)

D861,061 S * 9/2019 Earley D16/314
D865,854 S * 11/2019 Sheldon D16/314
2011/0279771 A1* 11/2011 Chen G02C 1/04
351/140
2015/0002805 A1* 1/2015 Chen G02C 1/04
351/121

(**) Term: **15 Years**

(21) Appl. No.: **29/689,185**

(22) Filed: **Apr. 28, 2019**

(51) **LOC (12) Cl.** **16-06**

(52) **U.S. Cl.**
USPC **D16/314; D16/319; D16/321; D16/324**

(58) **Field of Classification Search**
USPC **D16/100, 101, 300-329, 330, 332-342; D29/106, 107, 110**
CPC ... **G02C 5/00; G02C 5/02; G02C 5/10; G02C 5/14; G02C 5/16**
See application file for complete search history.

(56) **References Cited**

U.S. PATENT DOCUMENTS

D426,254 S * 6/2000 Nishimura D16/314
D652,858 S * 1/2012 Lamontagne D16/315
D727,400 S * 4/2015 Blanchard D16/314
D752,669 S * 3/2016 Garfias D16/101
D837,871 S * 1/2019 Canales D16/314
D846,626 S * 4/2019 Ekbladh D16/314
D849,825 S * 5/2019 Canales D16/314
D851,166 S * 6/2019 Sanchez D16/326
10,394,049 B2 * 8/2019 Canales G02C 5/143

OTHER PUBLICATIONS

Torege Polarized Sports Sunglasses with 3 Interchangeable Lenses for Men Women Cycling Running Driving Fishing Golf Baseball Glasses TR05, date first listed Feb. 4, 2019, site visited Mar. 25, 2020, <<https://www.amazon.com/dp/B07KG5BKQM/?tag=nexgenbaseball.com-20>>.*

* cited by examiner

Primary Examiner — Cathron C Brooks
Assistant Examiner — Sharon S Oum

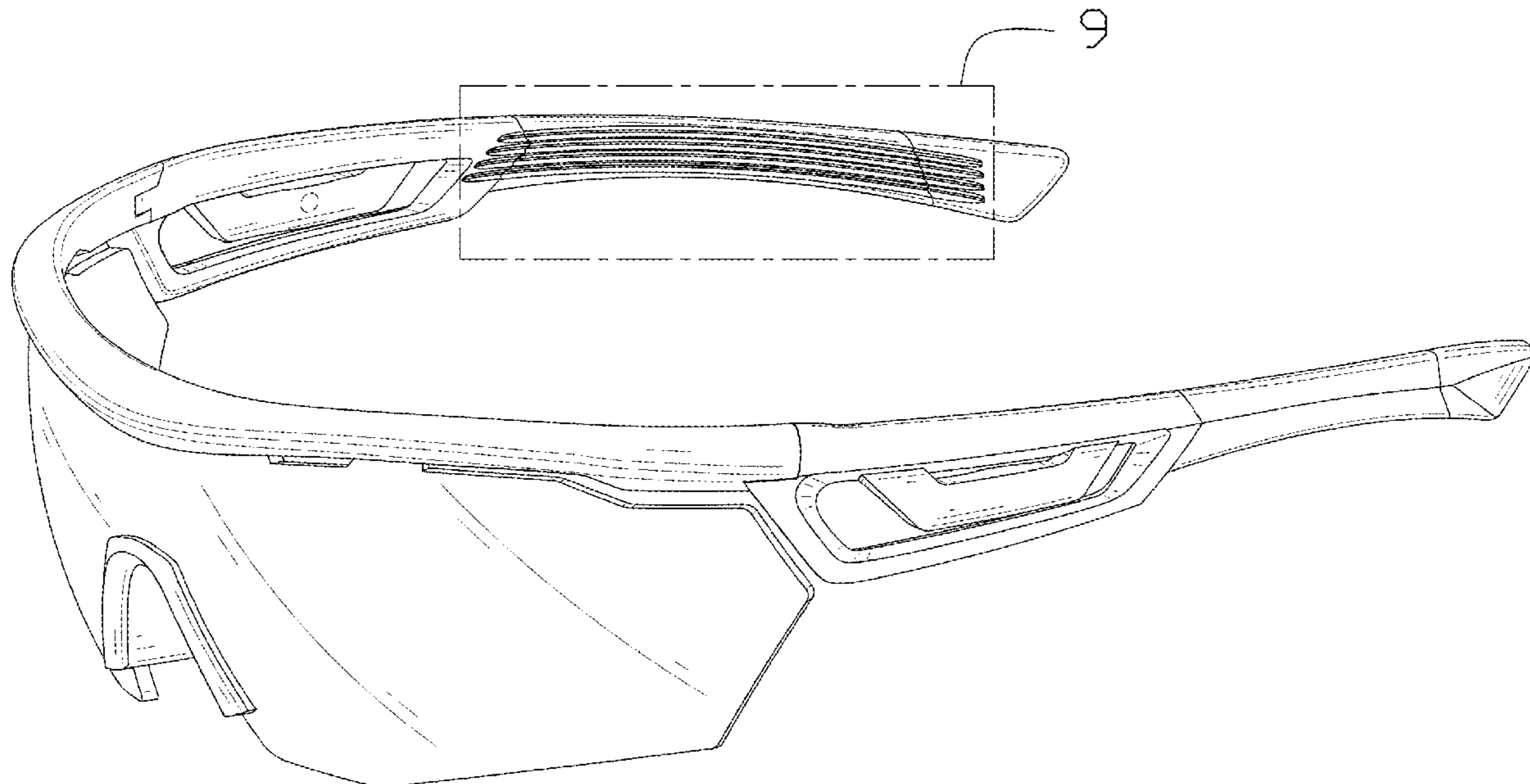
(57) **CLAIM**

The ornamental design for sunglasses, as shown and described.

DESCRIPTION

FIG. 1 is a perspective view of sunglasses showing my new design;
FIG. 2 is another perspective view thereof;
FIG. 3 is a front elevational view thereof;
FIG. 4 is a rear elevational view thereof;
FIG. 5 is a left side elevational view thereof;
FIG. 6 is a right side elevational view thereof;
FIG. 7 is a top plan view thereof;
FIG. 8 is a bottom plan view thereof; and,
FIG. 9 is an enlarged view of portion 9 shown in FIG. 1.
The broken lines in the drawings depict portions of the sunglasses that form no part of the claimed design.

1 Claim, 9 Drawing Sheets



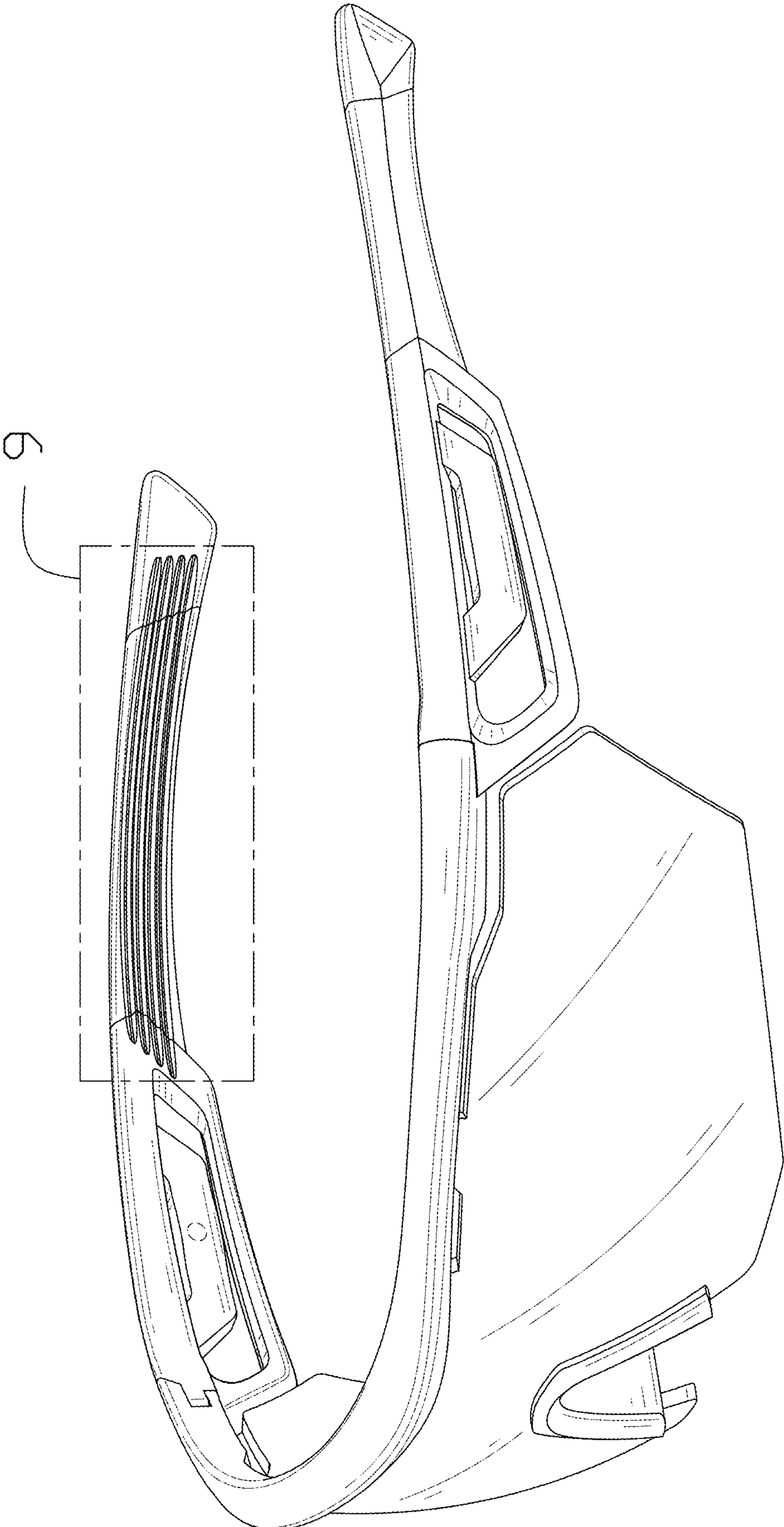


FIG. 1

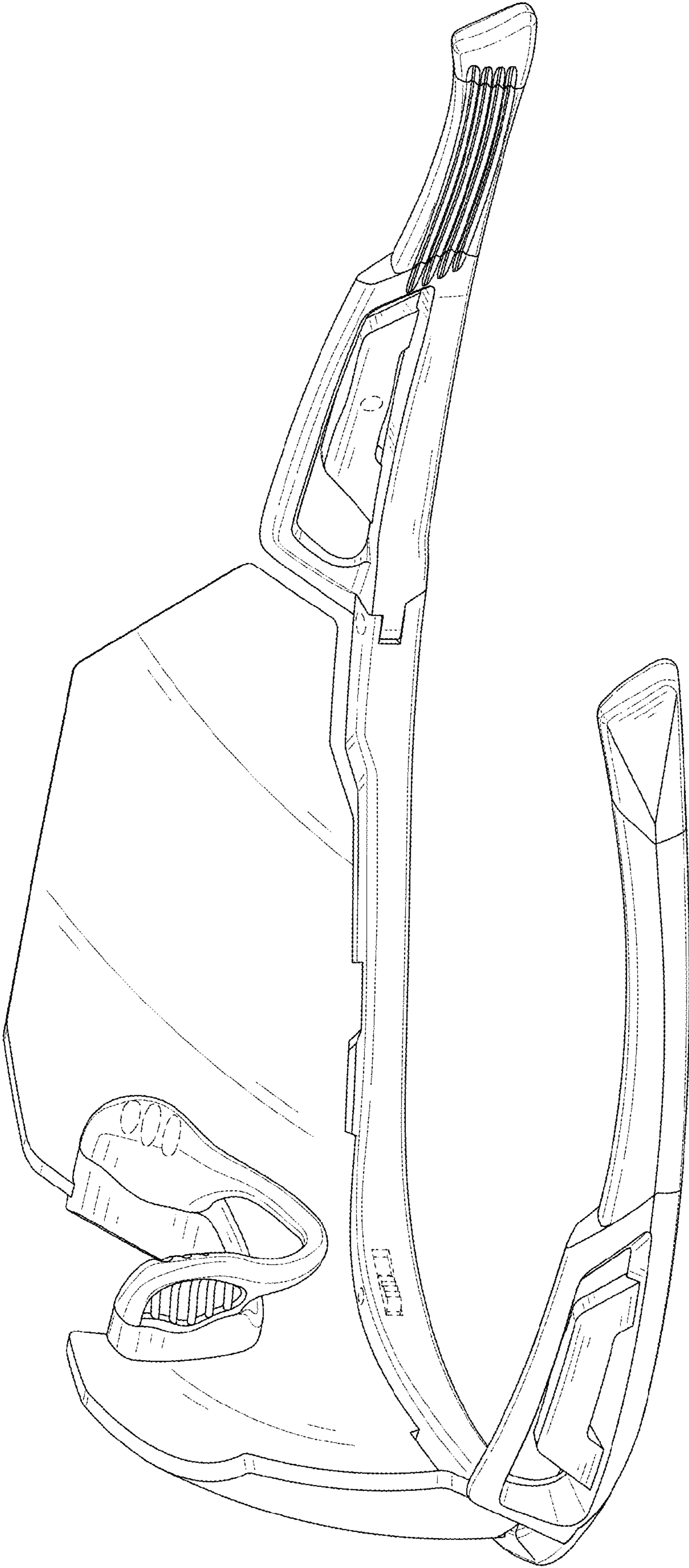


FIG. 2

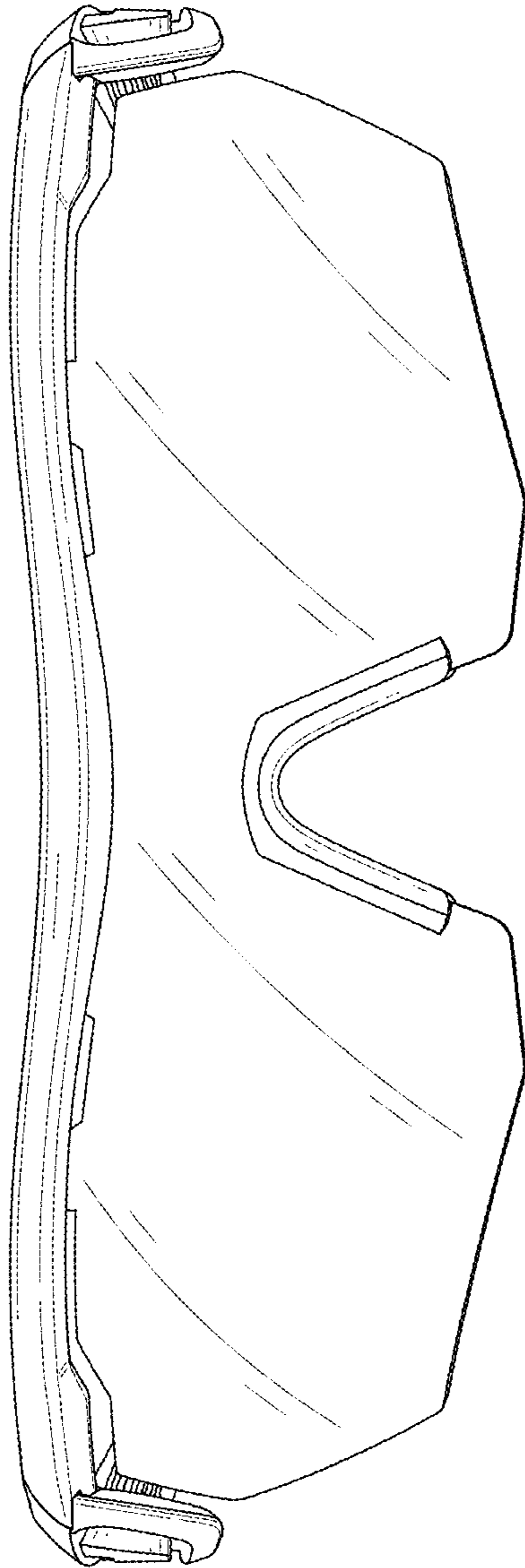


FIG. 3

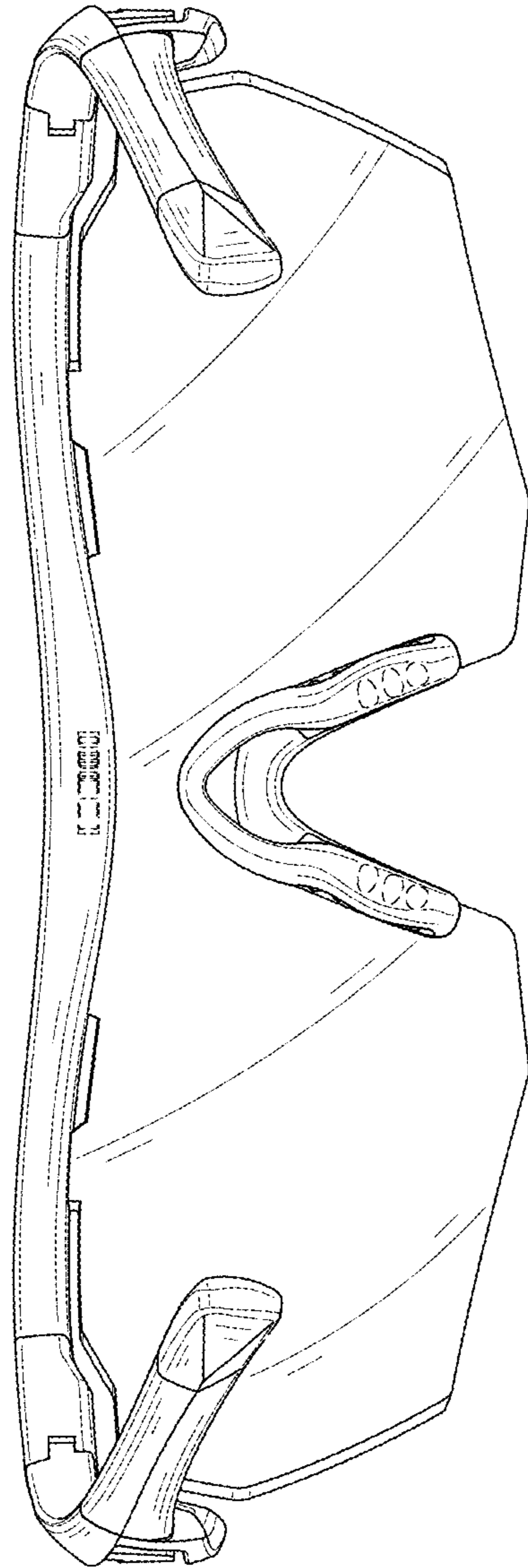


FIG. 4

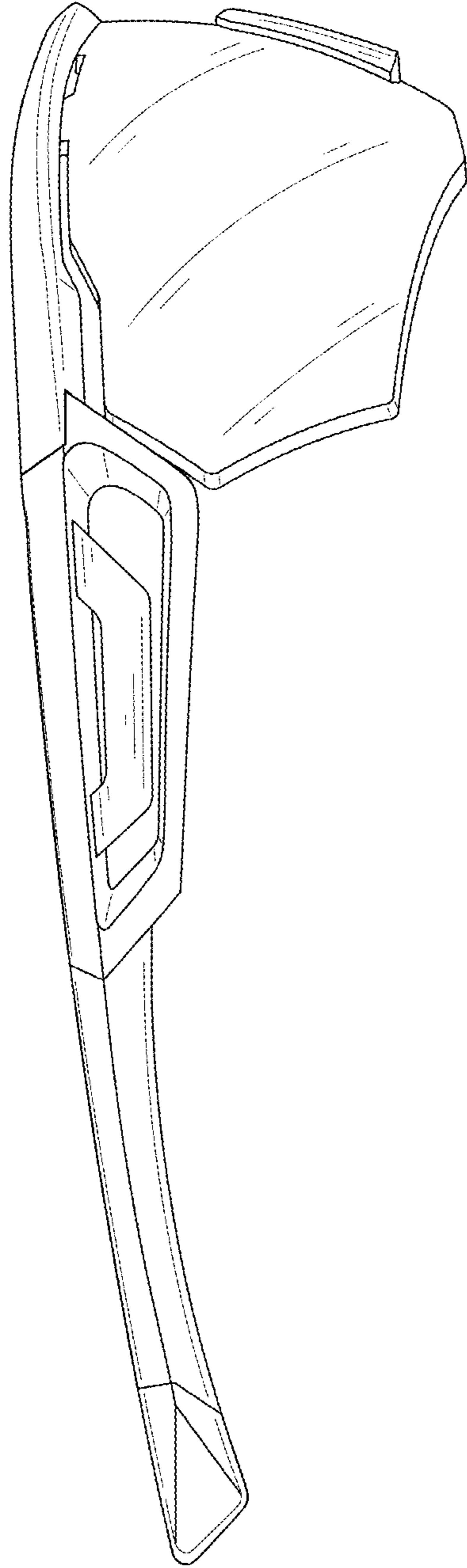


FIG. 5

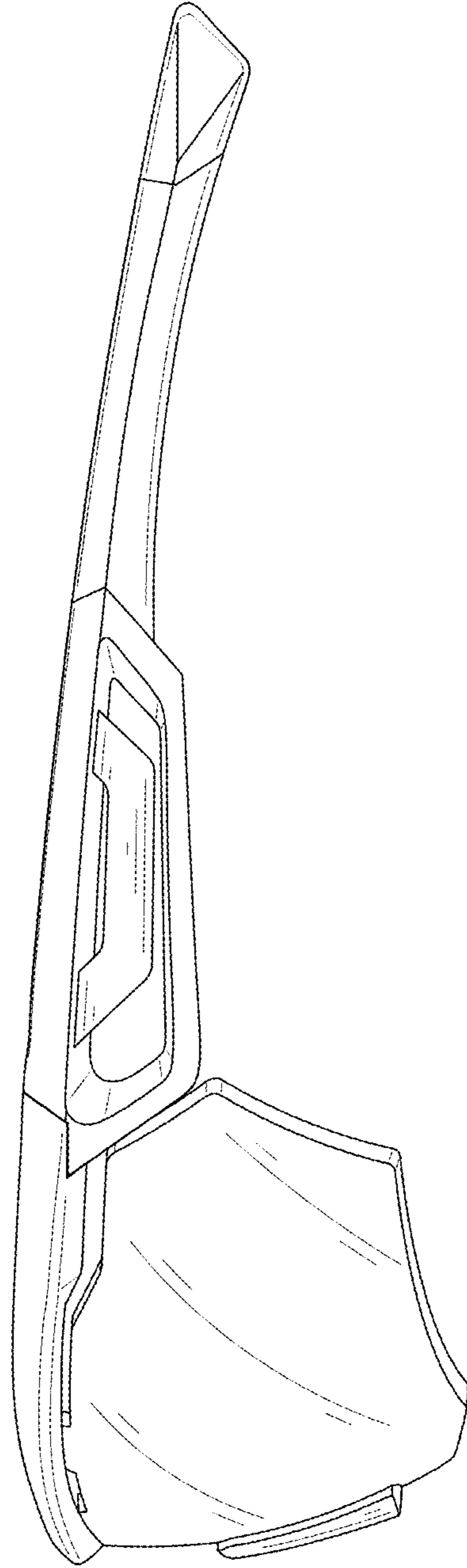


FIG. 6

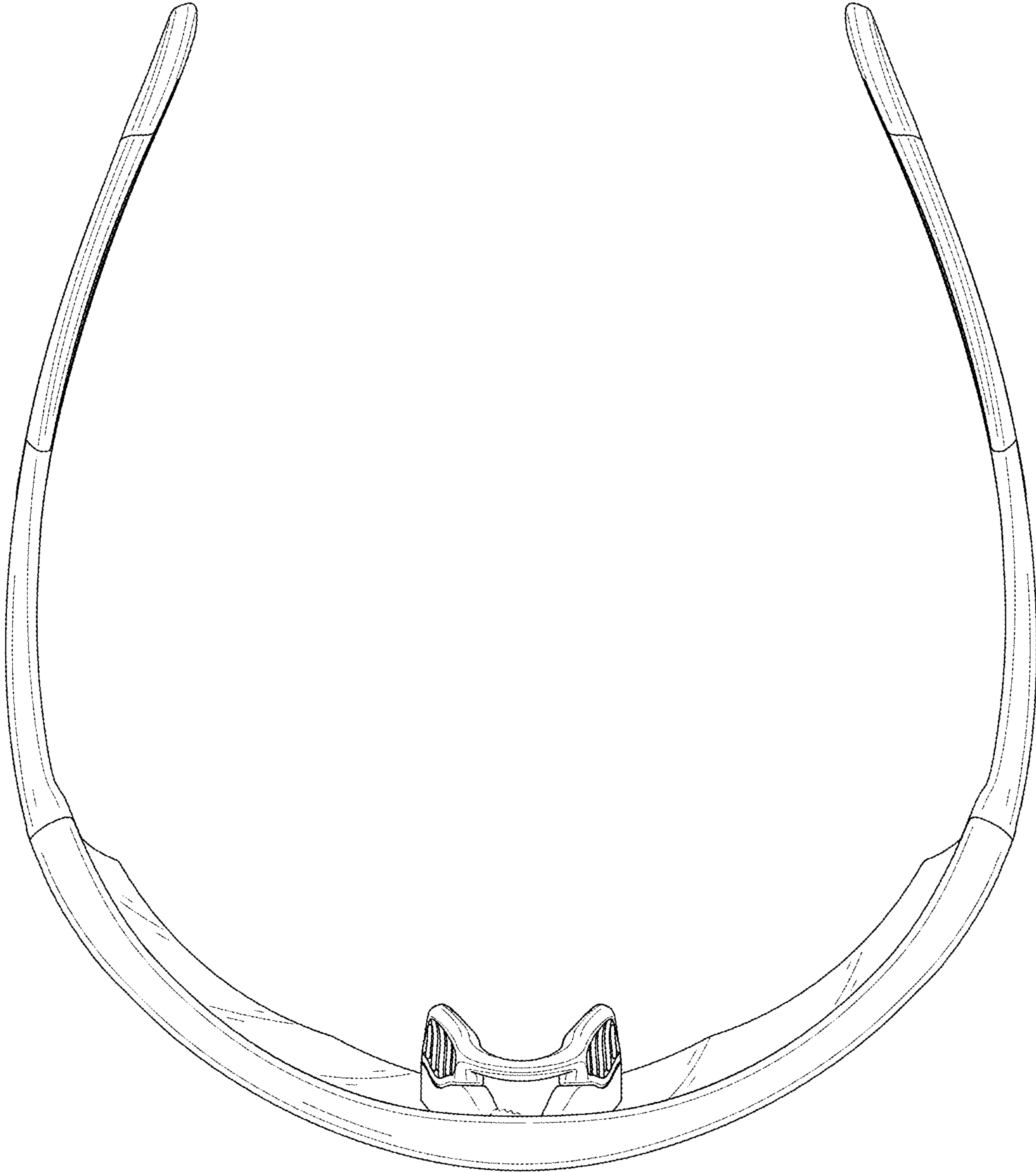


FIG. 7

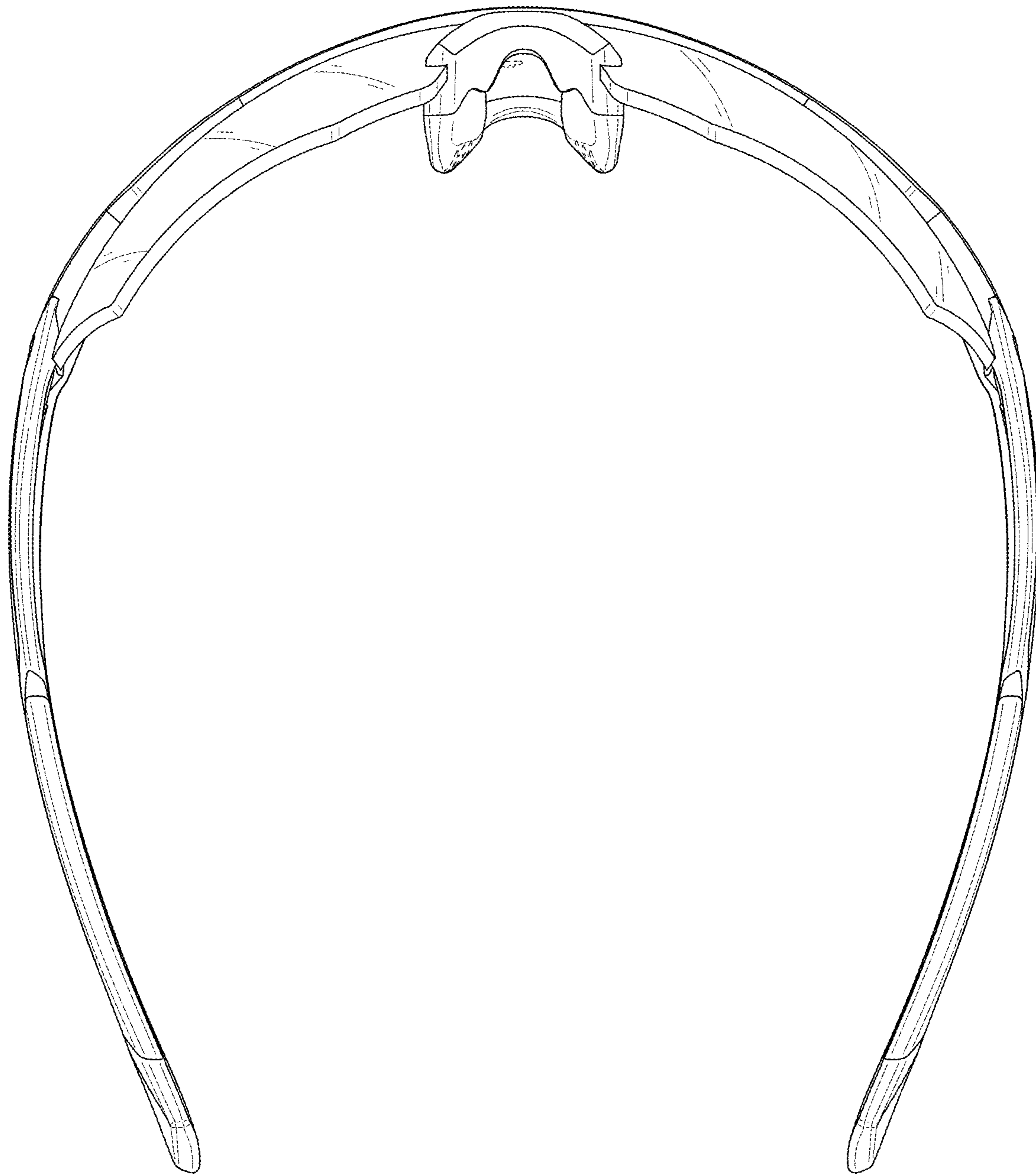


FIG. 8

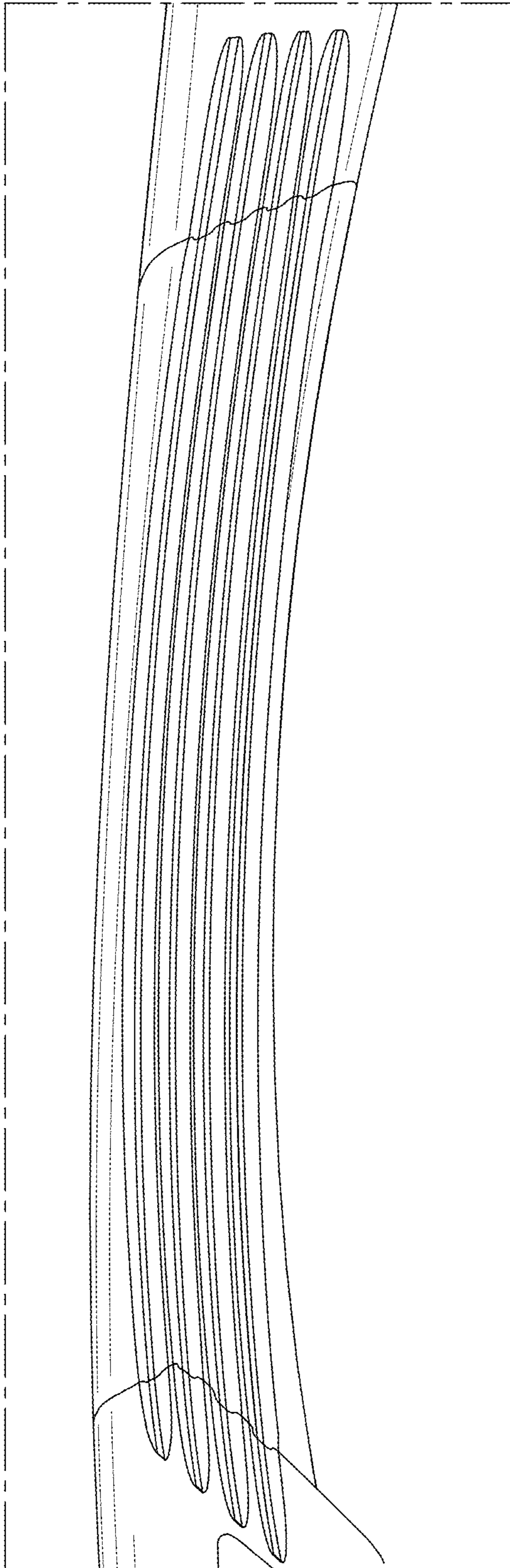


FIG. 9