



US00D903747S

(12) **United States Design Patent** (10) **Patent No.:** **US D903,747 S**
Cadman et al. (45) **Date of Patent:** **** Dec. 1, 2020**

- (54) **DISPENSER FOR SURFACE MOUNT TAPE**
- (71) Applicant: **COMPONENT STORAGE INNOVATIONS LLC**, Hollis, NH (US)
- (72) Inventors: **Harold W. Cadman**, Hollis, NH (US); **David L. Mullins**, Nashua, NH (US)
- (73) Assignee: **Component Storage Innovations LLC**, Hollis, NH (US)
- (**) Term: **15 Years**
- (21) Appl. No.: **29/700,855**
- (22) Filed: **Aug. 6, 2019**
- (51) **LOC (12) Cl.** **16-04**
- (52) **U.S. Cl.**
USPC **D16/250**; D19/69
- (58) **Field of Classification Search**
USPC D19/65-71, 75, 77, 85, 99, 100, 86, 90;
D16/249, 250
CPC B65H 35/0026; B65H 35/0033; B65H 35/0073; B65H 37/005; B65H 37/007
See application file for complete search history.

(56) **References Cited**

U.S. PATENT DOCUMENTS

- 2,463,445 A * 3/1949 Van Cleef B65H 35/0026
225/21
- D175,066 S * 7/1955 Emmert D19/69
- 2,838,171 A * 6/1958 Kaspar B65D 83/12
221/70
- D197,496 S * 2/1964 Kusek D19/69
- D218,861 S * 9/1970 Castelli D19/69
- 3,743,151 A * 7/1973 Malcolm B65H 35/002
225/47

- 4,417,677 A * 11/1983 Mead B65H 35/0026
225/26
- D276,822 S * 12/1984 Borst D19/69
- 4,734,728 A * 3/1988 Muller G03D 3/06
396/622
- D300,750 S * 4/1989 Mead D19/67
- 4,898,312 A * 2/1990 Hwang B65H 35/0026
225/26
- D356,819 S * 3/1995 Stempien D16/250
- D415,528 S * 10/1999 Mandar D19/67
- 6,640,864 B2 * 11/2003 Downs B65H 37/002
156/540
- D503,187 S * 3/2005 Selinidis D16/250
- 7,235,151 B2 * 6/2007 Velasquez B32B 37/10
156/298
- D603,902 S * 11/2009 Greaves D19/67
- D692,489 S * 10/2013 De Bellis D19/86
- D708,667 S * 7/2014 Carrington D19/69
- 9,802,781 B2 * 10/2017 Kugimiya B65H 35/0026

* cited by examiner

Primary Examiner — Elizabeth A. Albert
(74) *Attorney, Agent, or Firm* — Finch & Maloney PLLC

(57) **CLAIM**

The ornamental design for a dispenser for surface mount tape, as shown and described.

DESCRIPTION

FIG. 1 is a top, front, and right-side perspective view of a dispenser for surface mount tape showing our new design; FIG. 2 is top, front, and left-side perspective view thereof; FIG. 3 is a bottom and left-side perspective view thereof; FIG. 4 is front elevational view thereof; FIG. 5 is a rear elevational view thereof; FIG. 6 is a top view thereof; FIG. 7 is a bottom view thereof; FIG. 8 is left-side elevational view thereof; and, FIG. 9 is a right-side elevational view thereof.

1 Claim, 7 Drawing Sheets

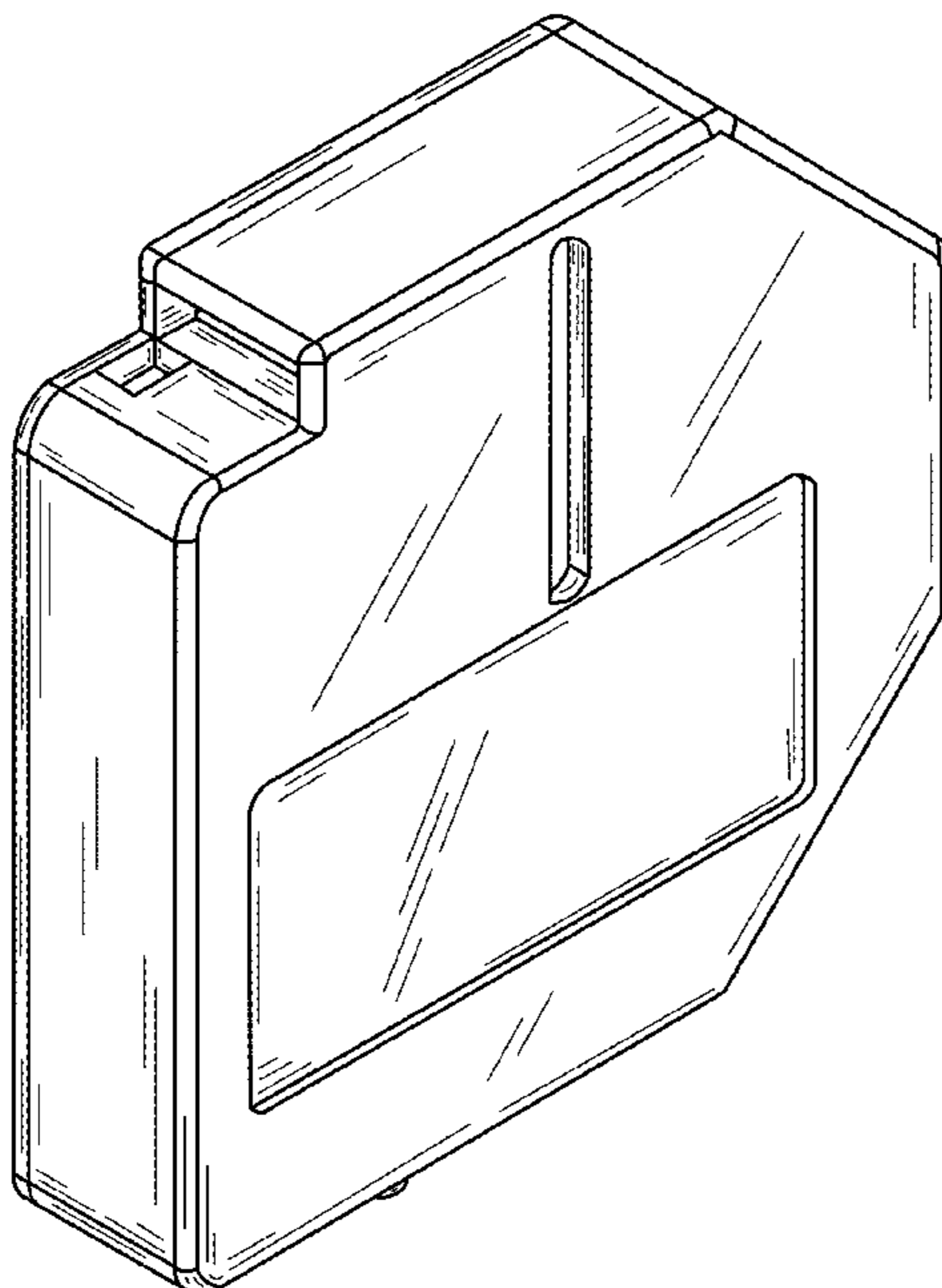


FIG. 1

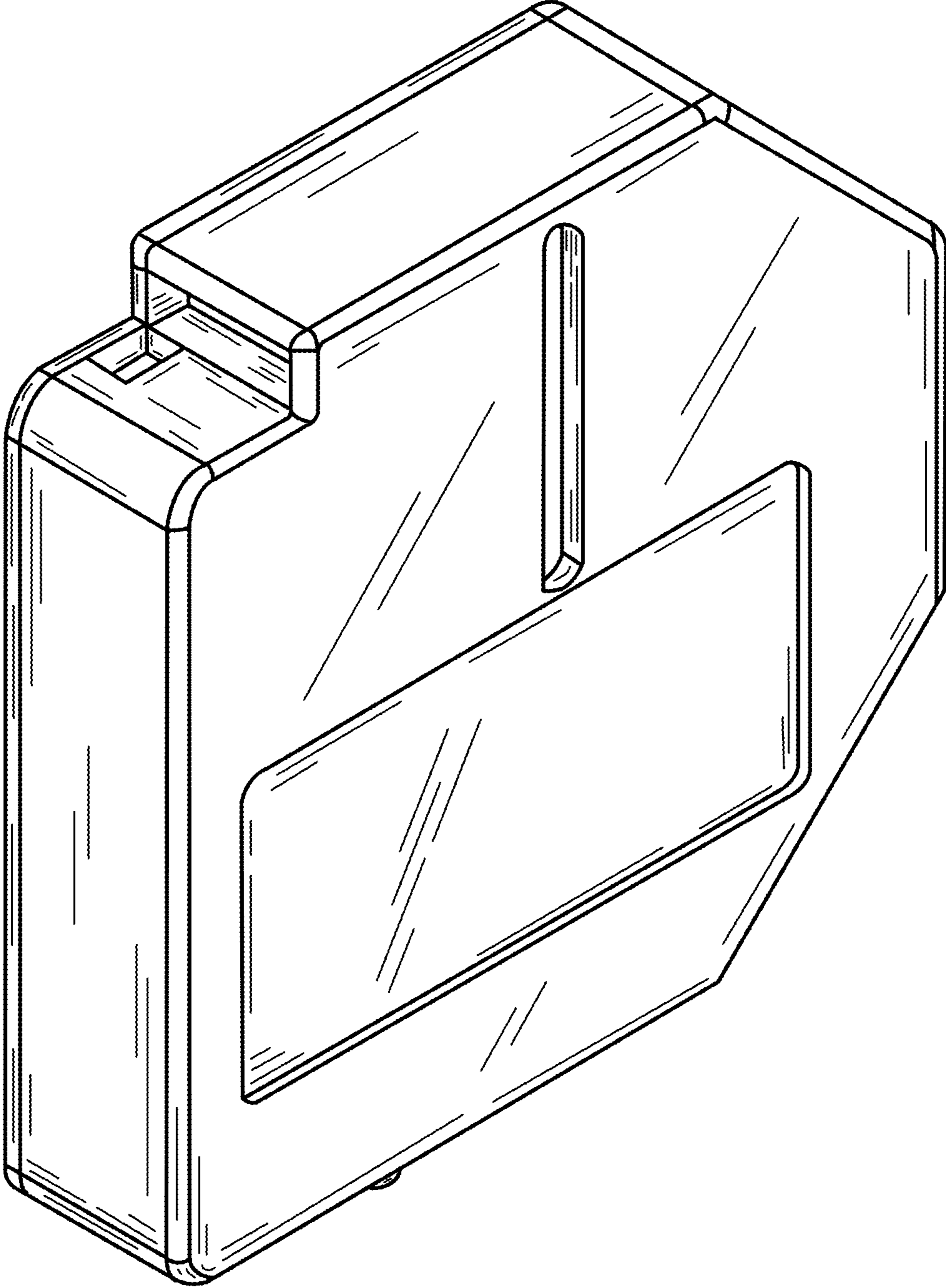


FIG. 2

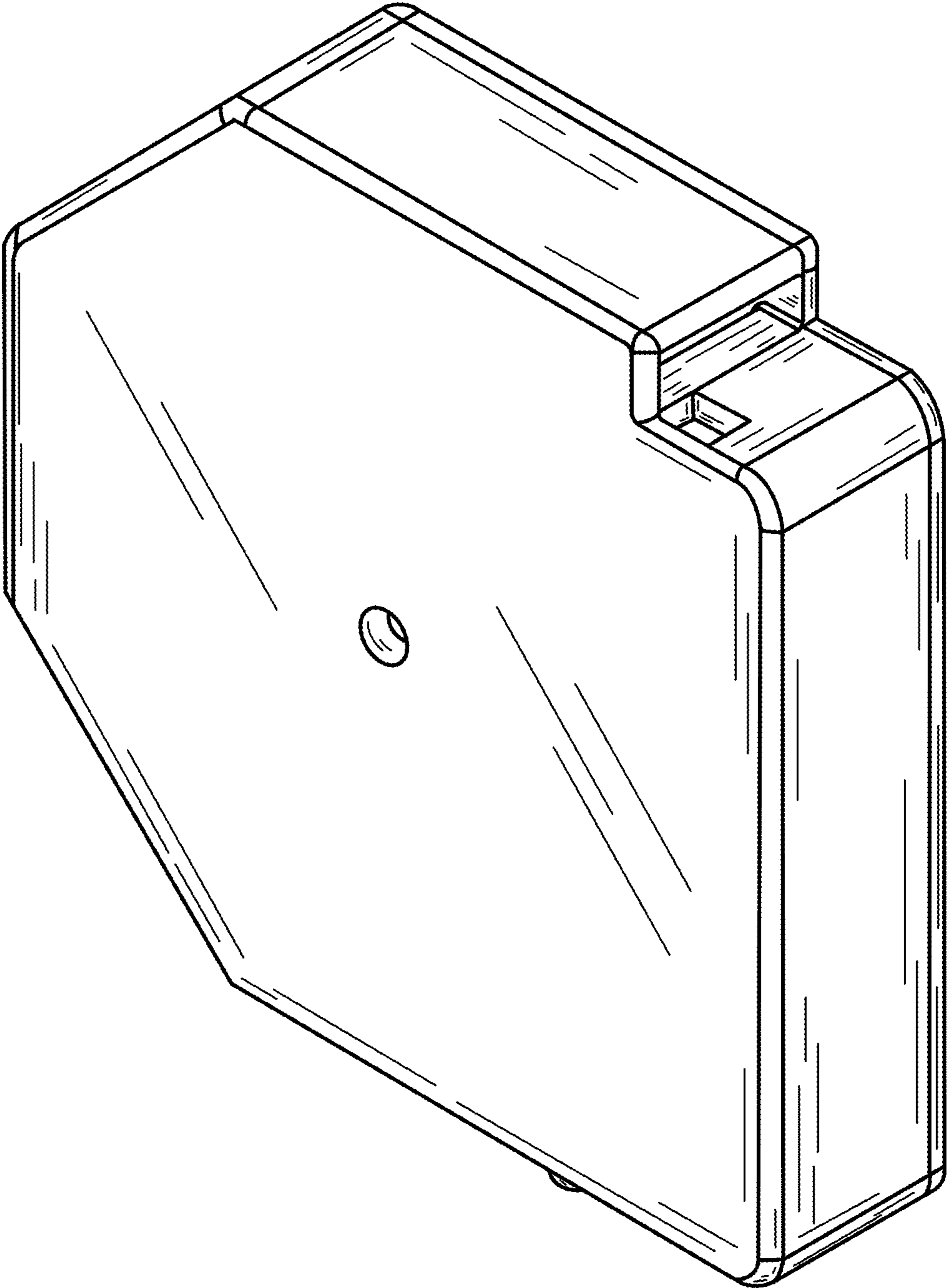


FIG. 3

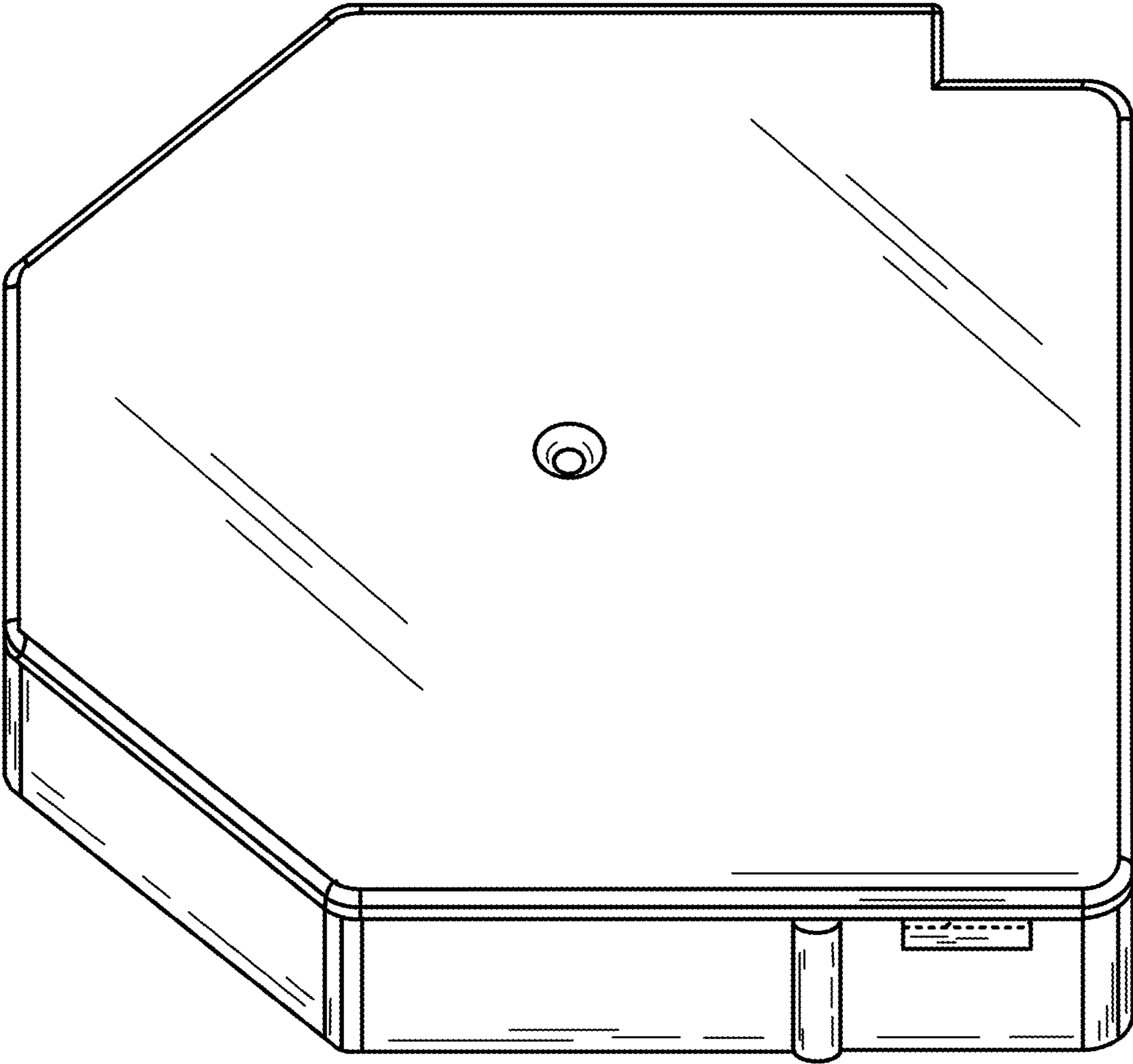


FIG. 4

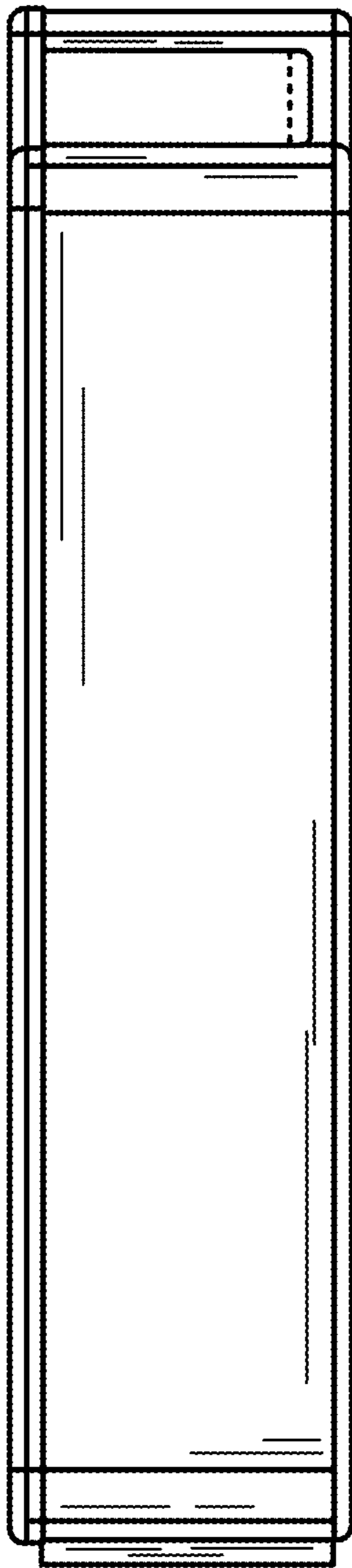


FIG. 5

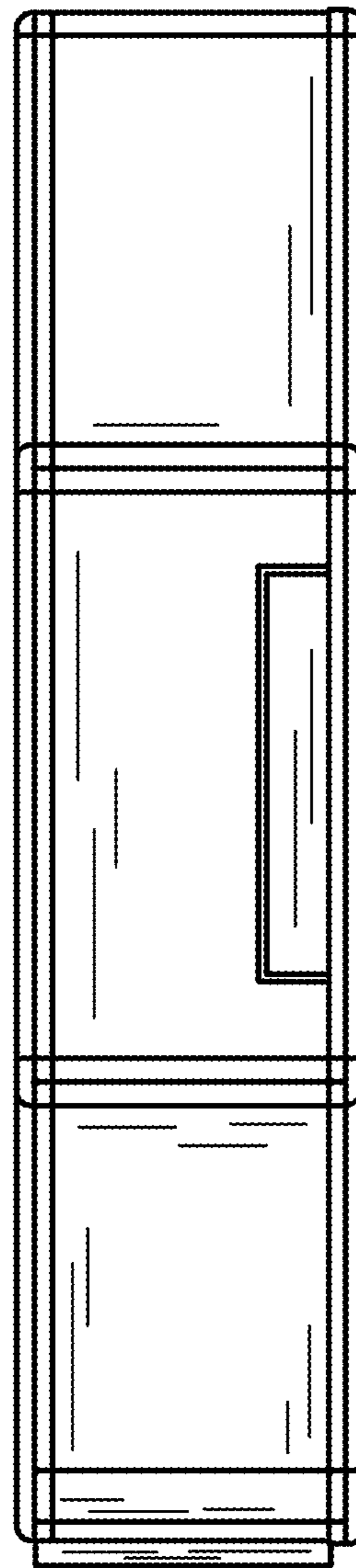


FIG. 6

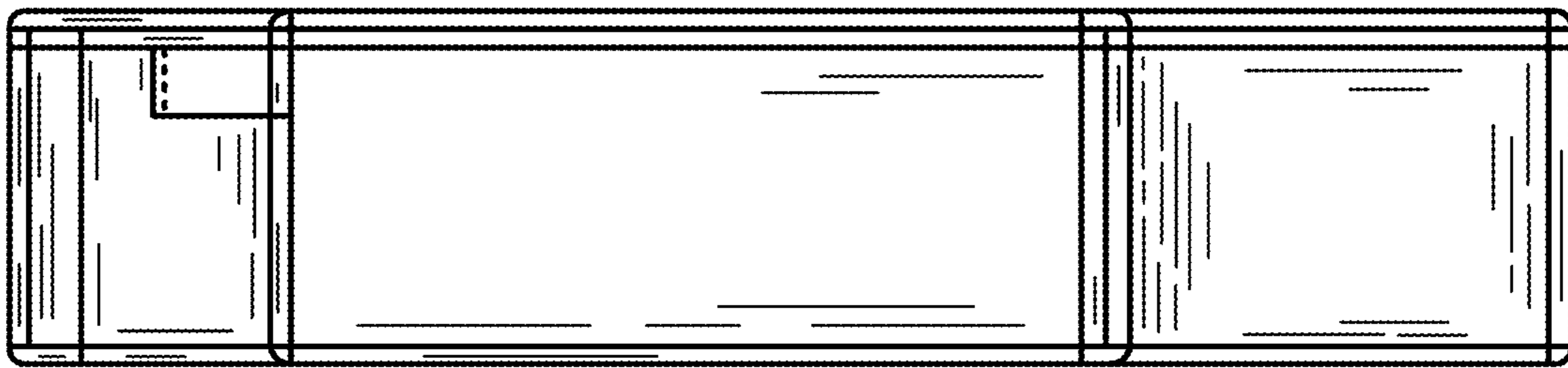


FIG. 7

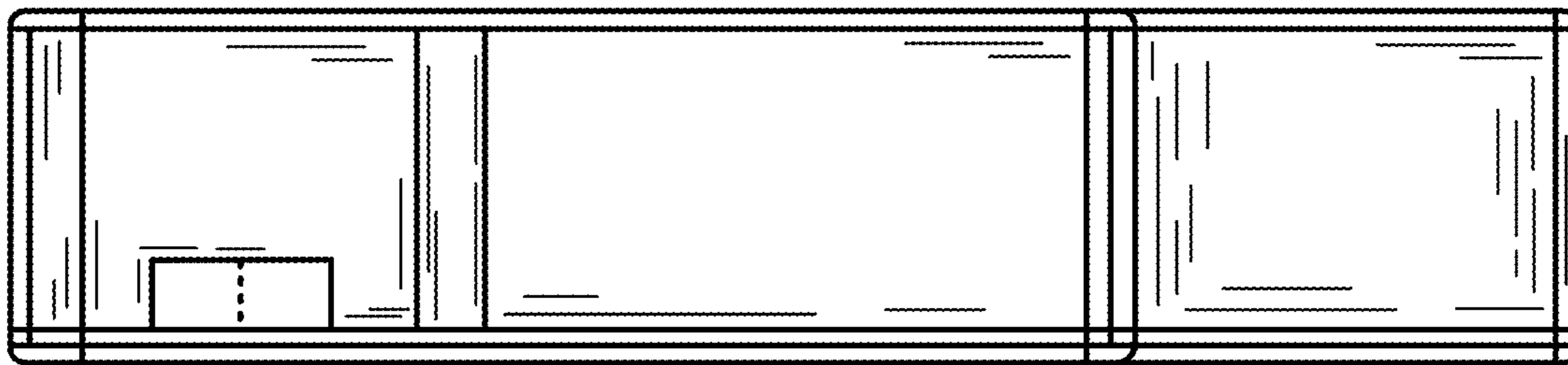


FIG. 8

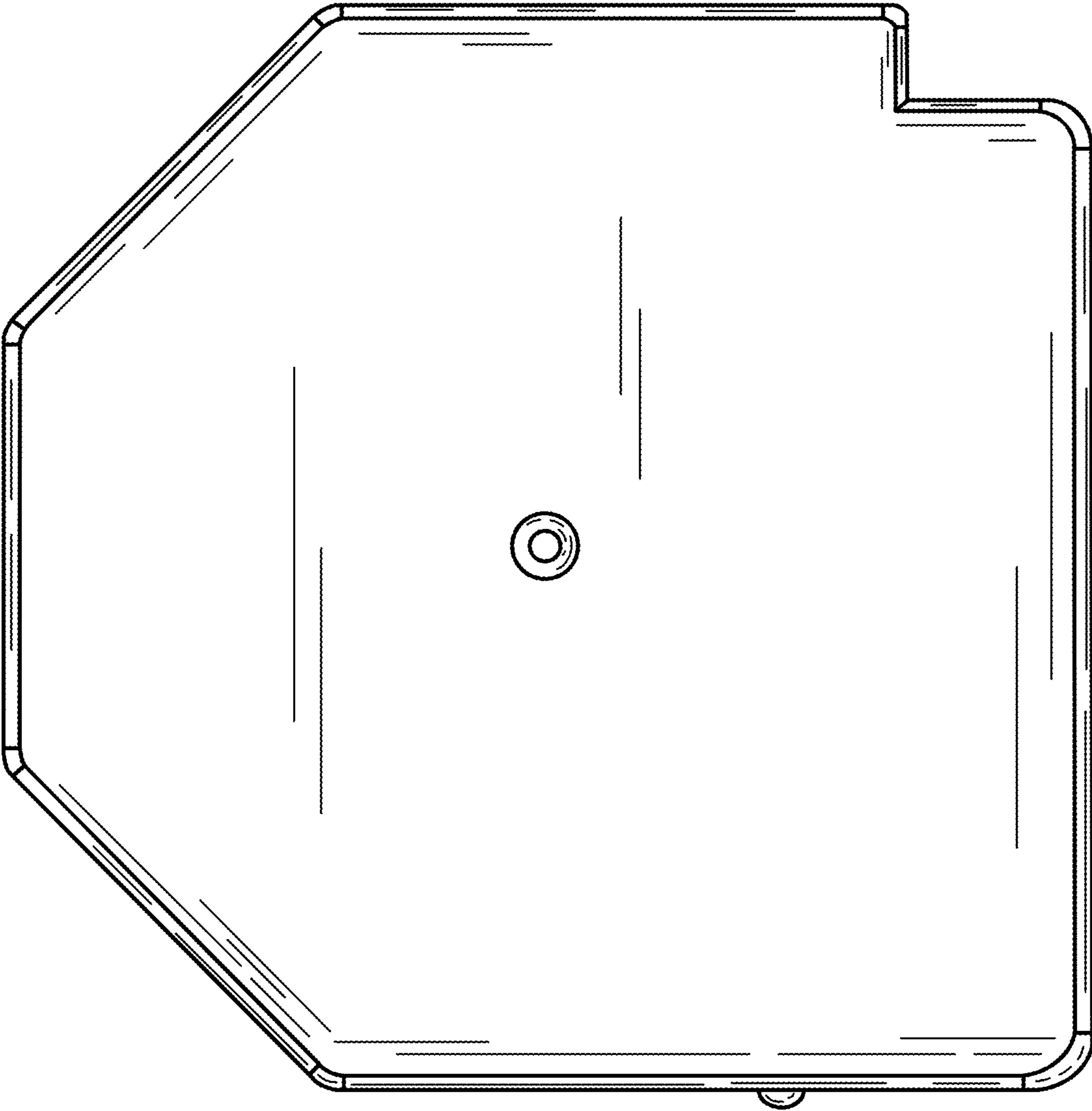


FIG. 9

