



US00D903746S

(12) **United States Design Patent** (10) **Patent No.:** **US D903,746 S**  
**Jankura et al.** (45) **Date of Patent:** **\*\* Dec. 1, 2020**

(54) **CAMERA TRIPOD**

(71) Applicant: **Peak Design**, San Francisco, CA (US)

(72) Inventors: **Robb Jankura**, San Francisco, CA (US); **Matthew Thomas James**, San Francisco, CA (US); **Peter Dering**, San Francisco, CA (US); **Peter Lockett**, San Francisco, CA (US); **Arthur Viger**, San Francisco, CA (US); **Andrew Wheeler Gans**, San Francisco, CA (US)

(73) Assignee: **Peak Design**, San Francisco, CA (US)

(\*\*) Term: **15 Years**

(21) Appl. No.: **29/713,126**

(22) Filed: **Nov. 13, 2019**

**Related U.S. Application Data**

(63) Continuation of application No. 16/501,118, filed on May 13, 2019.

(51) **LOC (12) Cl.** ..... **16-05**

(52) **U.S. Cl.**  
USPC ..... **D16/244**

(58) **Field of Classification Search**  
USPC ..... D16/219, 237-250; D8/354, 355, 363, D8/373, 382-383, 394-396; D14/224, D14/229, 238, 251, 253, 447, 451, 457  
(Continued)

(56) **References Cited**

**U.S. PATENT DOCUMENTS**

2,143,606 A \* 1/1939 Mooney ..... F16M 11/10  
248/183.2  
D333,479 S \* 2/1993 Chun-Mao ..... D16/244  
(Continued)

**OTHER PUBLICATIONS**

Travel Tripod. [online] Retrieved Jul. 16, 2020 from URL: <https://www.shopmoment.com/shop/peak-design-travel-tripod?gclid=>

Cj0KCQjw9b\_4BRCMARIsADMUlyrcuYQSwjrMzsn6XdMTspep vGHjHVLHSqGH5P0FrTRq-8GYVUXmPnkaApC4EALw\_ wcB.\*

*Primary Examiner* — Vy N Koenig  
(74) *Attorney, Agent, or Firm* — Run8 Patent Group, LLC; Peter Miller; Leah Raddatz

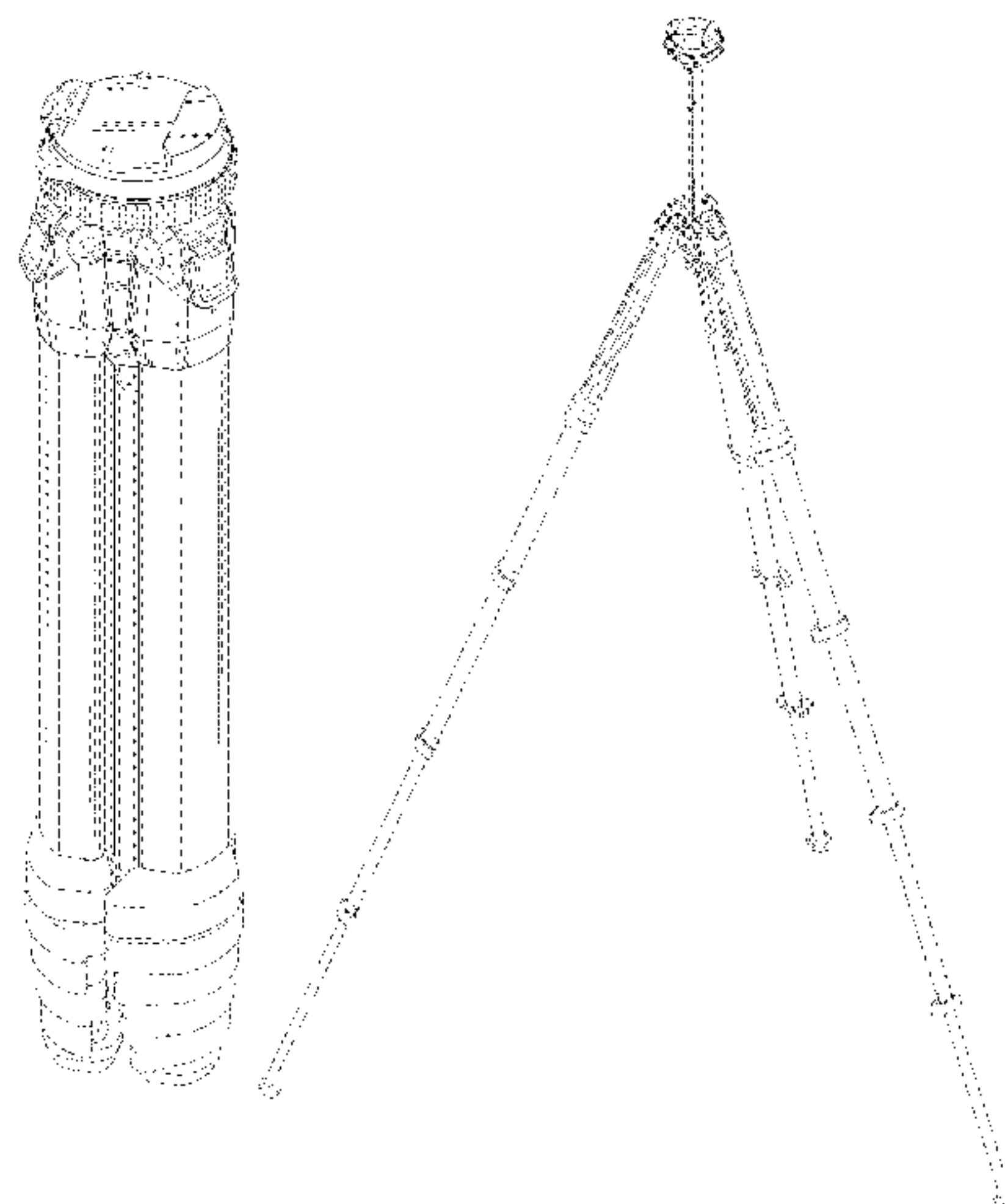
(57) **CLAIM**

The ornamental design for a camera tripod, as shown and described.

**DESCRIPTION**

FIG. 1 is a front-left-upper isometric view of a camera tripod showing our new design in a first configuration.  
FIG. 2 is a lower-right-upper isometric view of the camera tripod in the first configuration.  
FIG. 3 is a front view of the camera tripod in the first configuration.  
FIG. 4 is a right-side view of the camera tripod in the first configuration.  
FIG. 5 is a back view of the camera tripod in the first configuration.  
FIG. 6 is a left-side view of the camera tripod in the first configuration.  
FIG. 7 is a top view of the camera tripod in the first configuration.  
FIG. 8 is a bottom view of the camera tripod in the first configuration.  
FIG. 9 is a back view of the camera tripod in a second configuration.  
FIG. 10 is a front-left-upper isometric view of the camera tripod in a third configuration.  
FIG. 11 is a top view of the camera tripod in the third configuration; and,  
FIG. 12 is a right-side view of the camera tripod in the third configuration.  
Broken lines shown in the FIGURES depict boundary lines and additional features of the camera tripod. However, no

(Continued)



broken line shown in the FIGURES forms any part of the design claimed in the instant Application.

**1 Claim, 8 Drawing Sheets**

(58) **Field of Classification Search**

CPC ..... F16M 11/06-10; F16M 11/14; G02B 7/00-002; G03B 17/56; G03B 17/561-566; H04N 5/2253-2254  
See application file for complete search history.

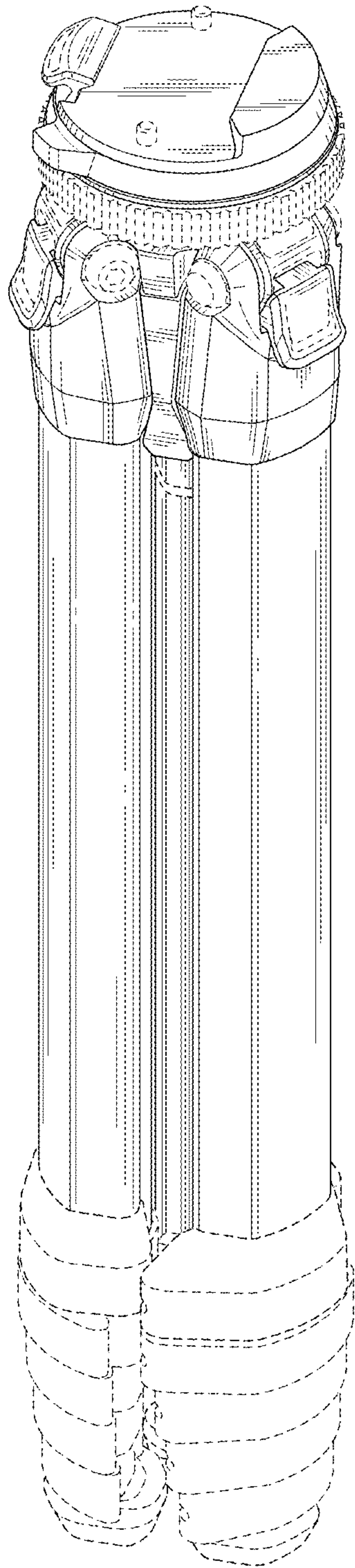
(56) **References Cited**

U.S. PATENT DOCUMENTS

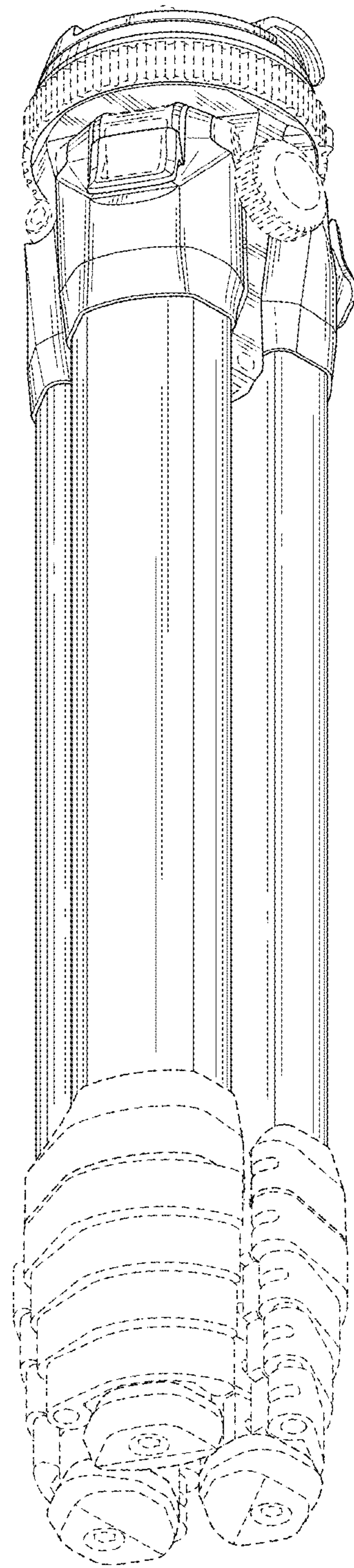
5,288,044 A \* 2/1994 Chen ..... F16M 11/2014 248/183.1  
6,983,916 B2 \* 1/2006 Raynaud ..... F16M 11/046 248/163.2

D607,037 S \* 12/2009 Lee ..... D16/244  
9,004,419 B2 \* 4/2015 Nakatani ..... F16M 11/126 248/178.1  
9,383,632 B2 \* 7/2016 Speggiorin ..... F16M 11/242  
D807,421 S \* 1/2018 Yin ..... D16/244  
D829,266 S \* 9/2018 Zeng ..... D16/244  
D829,267 S \* 9/2018 Zeng ..... D16/244  
10,323,785 B1 \* 6/2019 Takahashi ..... B32B 5/02  
D860,299 S \* 9/2019 Li ..... D16/244  
2007/0090237 A1 \* 4/2007 Hsu ..... F16M 11/16 248/178.1  
2008/0224000 A1 \* 9/2008 Yang ..... G03B 17/561 248/188.5  
2009/0250567 A1 \* 10/2009 Raynaud ..... F16M 11/16 248/168  
2011/0260016 A1 \* 10/2011 Johnson ..... F16M 11/16 248/168  
2015/0076296 A1 \* 3/2015 Yang ..... F16M 11/26 248/163.2  
2015/0338017 A1 \* 11/2015 De Faveri ..... F16M 11/16 396/428

\* cited by examiner

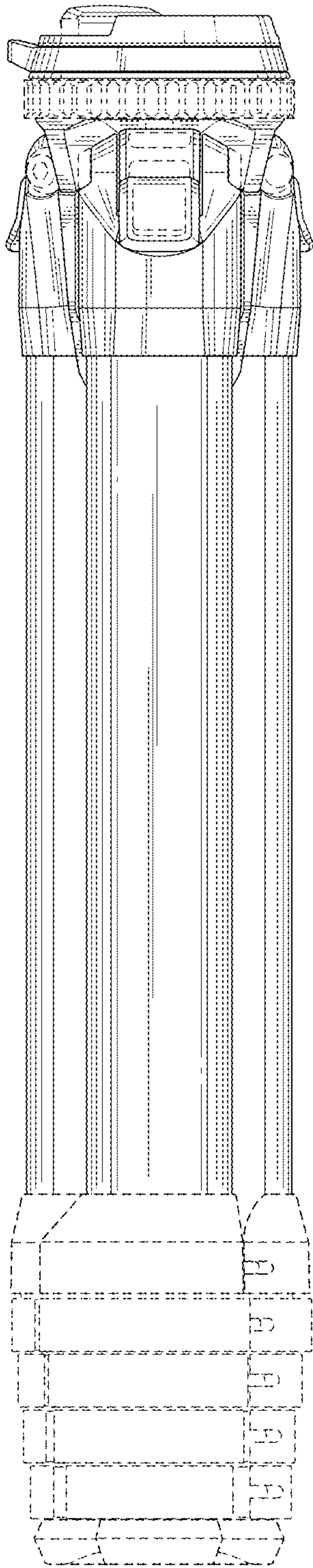


**FIG. 1**

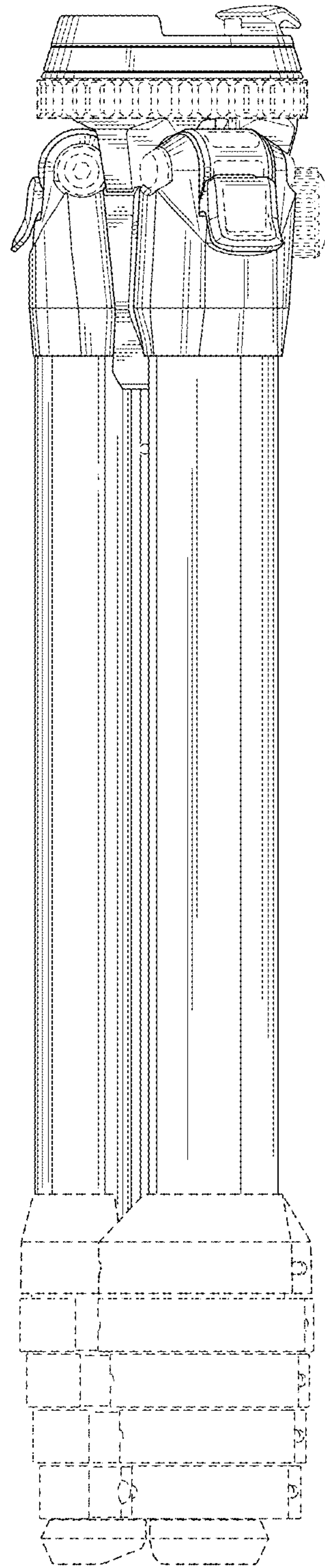


**FIG. 2**

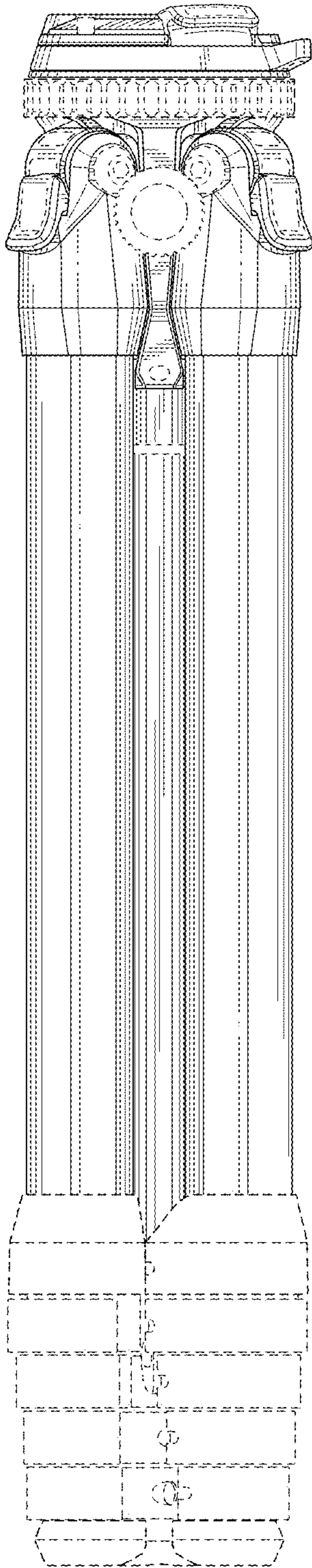




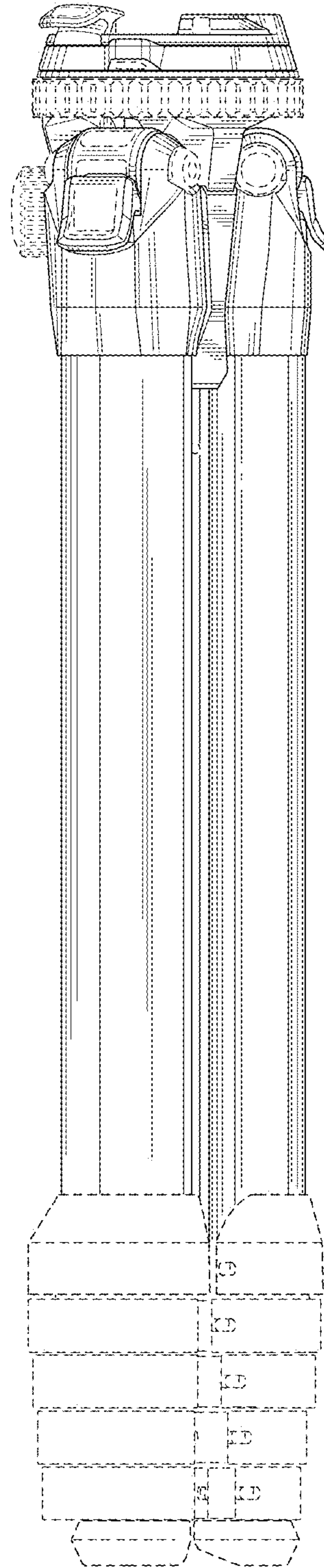
**FIG. 3**



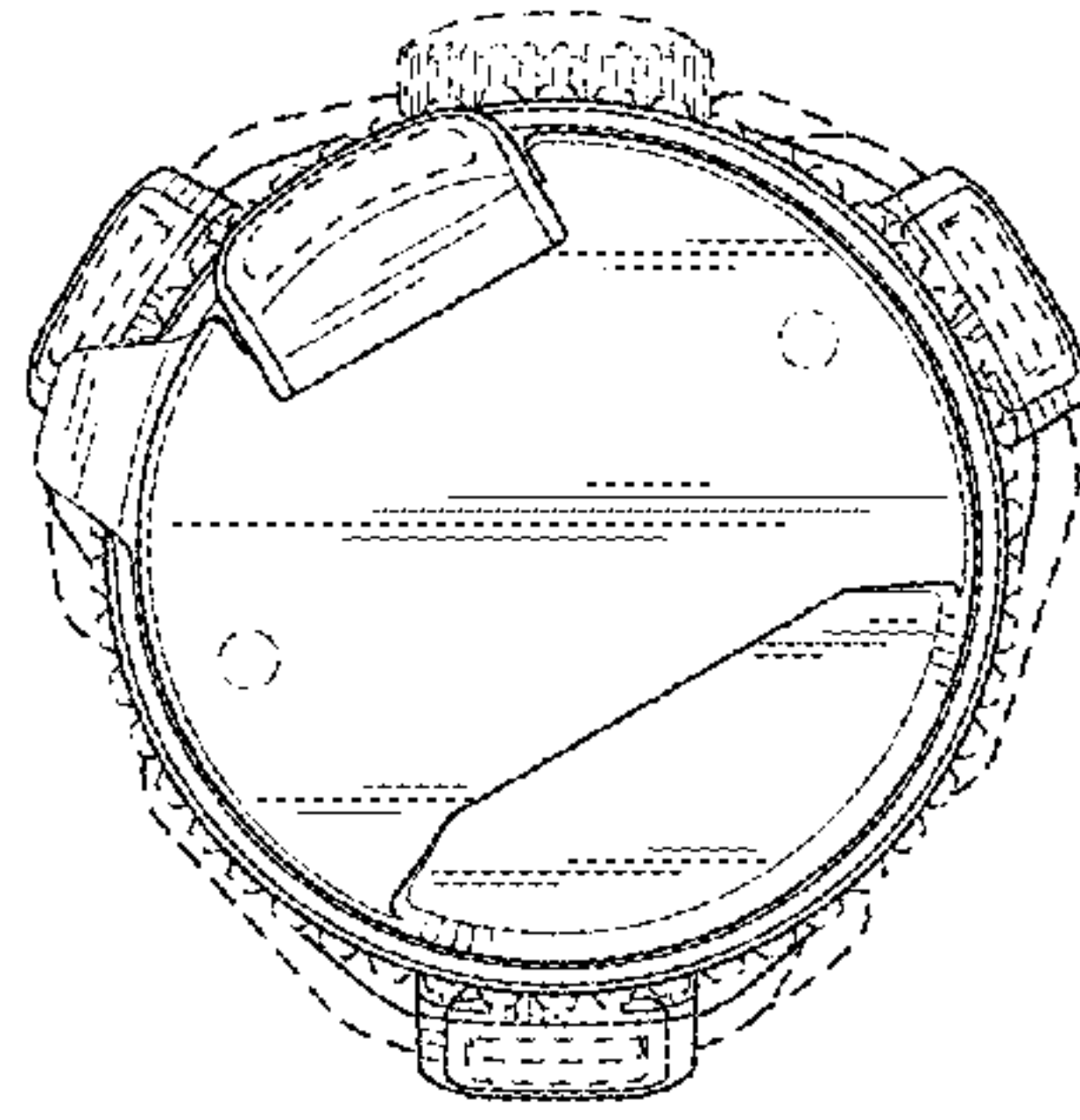
**FIG. 4**



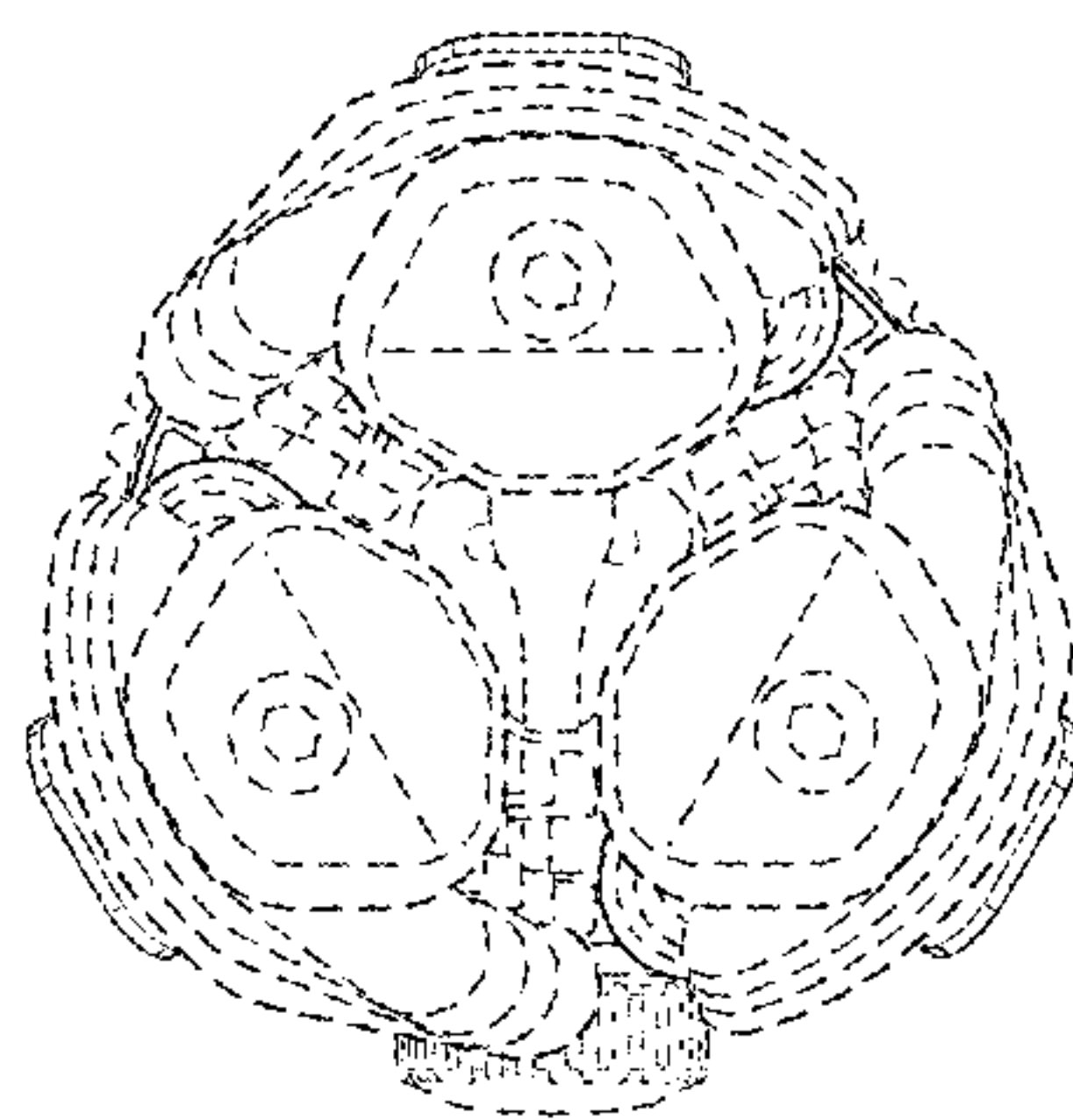
**FIG. 5**



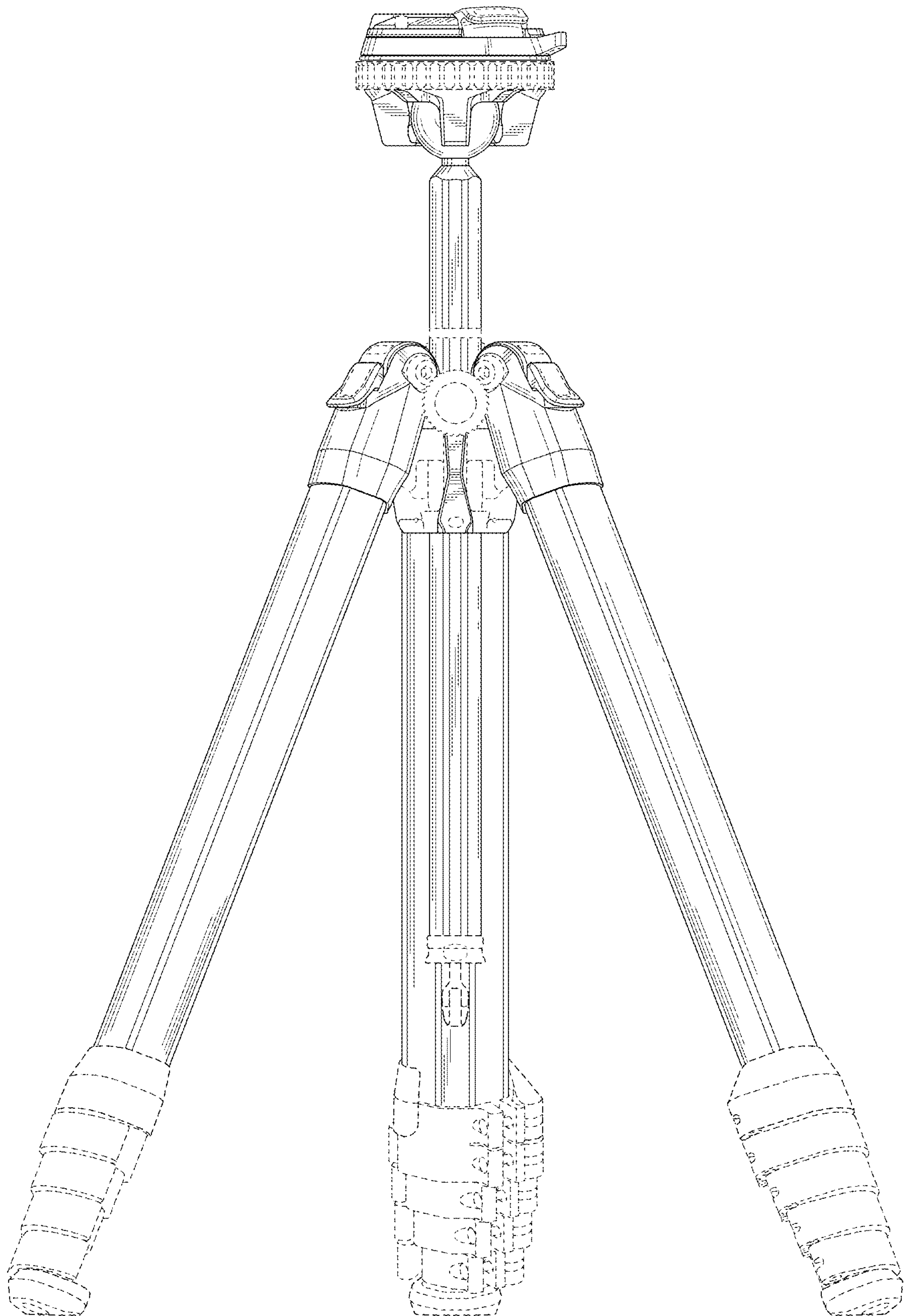
**FIG. 6**



**FIG. 7**

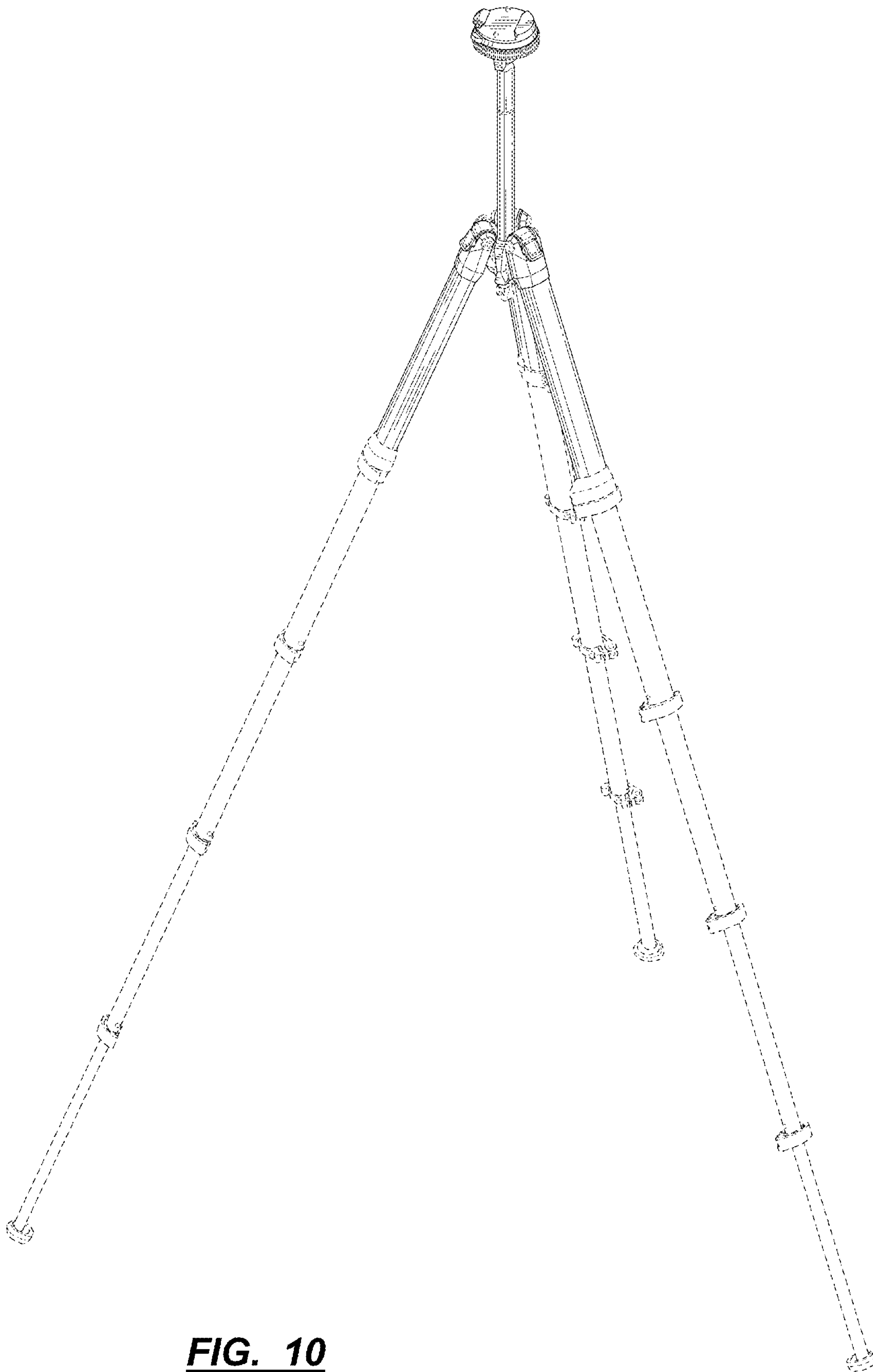


**FIG. 8**



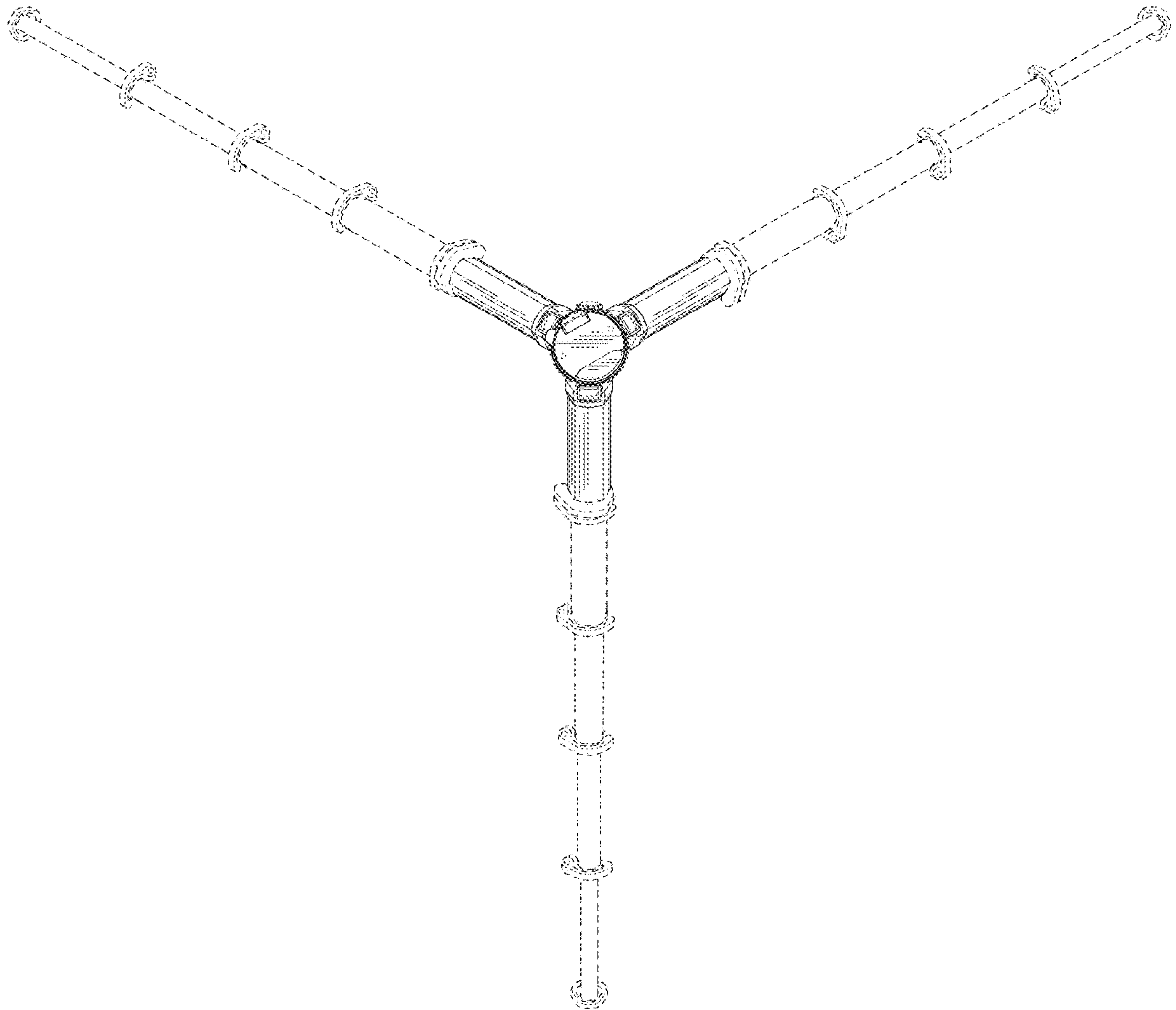
**FIG. 9**



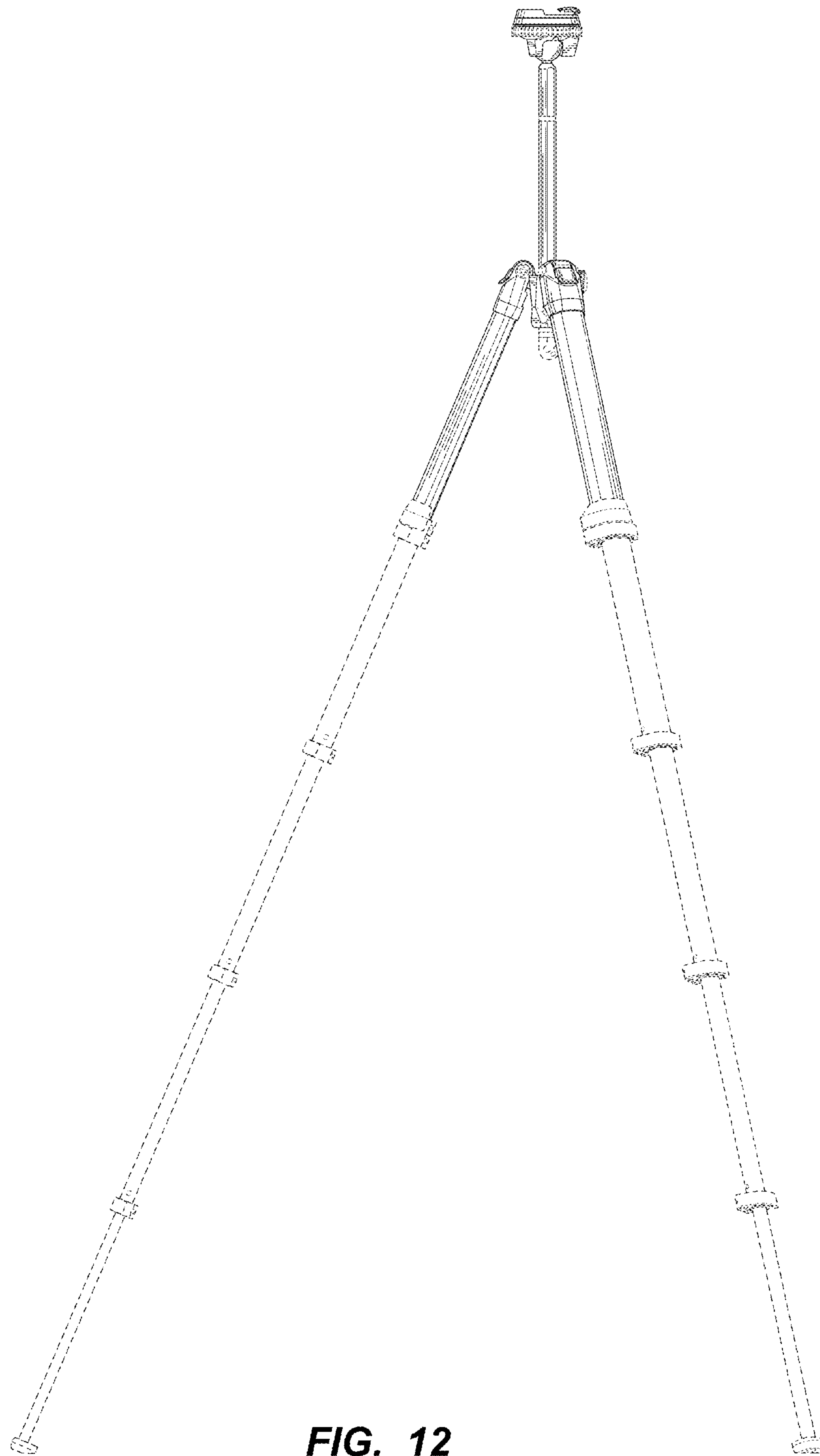


**FIG. 10**





**FIG. 11**



**FIG. 12**