



US00D903745S

(12) **United States Design Patent** (10) **Patent No.:** **US D903,745 S**
Nishimura (45) **Date of Patent:** **** Dec. 1, 2020**

(54) **COVER FOR CAMERA**

(56) **References Cited**

(71) Applicant: **CANON KABUSHIKI KAISHA,**
Tokyo (JP)

U.S. PATENT DOCUMENTS

(72) Inventor: **Kenichi Nishimura,** Tokyo (JP)

D190,975 S *	7/1961	Merrick	D16/237
D271,209 S *	11/1983	Feinbloom	D16/130
D281,644 S *	12/1985	Akabane	D3/267
D316,421 S *	4/1991	Shinano	D16/202
D376,378 S *	12/1996	Tanaka	D16/204
D395,328 S *	6/1998	Palmer	D16/219
D460,773 S *	7/2002	Arbuckle	D16/203
D474,488 S *	5/2003	Arbuckle	D16/203
D621,435 S *	8/2010	Green	D16/219
D624,950 S *	10/2010	Hall, Jr.	D16/237
D671,588 S *	11/2012	Couch, III	D16/237
D803,290 S *	11/2017	Martin	D16/204
D865,851 S *	11/2019	Ramones	D16/237

(**) Term: **15 Years**

(21) Appl. No.: **35/507,645**

(22) Filed: **Apr. 9, 2019**

(80) **Hague Agreement Data**

Int. Filing Date: **Apr. 9, 2019**

Int. Reg. No.: **DM/203700**

Int. Reg. Date: **Apr. 9, 2019**

Int. Reg. Pub. Date: **Nov. 8, 2019**

* cited by examiner

Primary Examiner — Holly E Thurman

(30) **Foreign Application Priority Data**

Oct. 12, 2018 (JP) JP2018-022432

(51) **LOC (12) Cl.** **16-05**

(52) **U.S. Cl.**

USPC **D16/237**

(58) **Field of Classification Search**

USPC D16/200, 202–204, 208, 218, 219, 237

CPC G03B 15/03; G03B 17/02; G03B 17/04;

G03B 17/08; G03B 17/56; G03B 19/04;

H04N 5/2251; H04N 5/2252; H04N

5/2253; H04N 5/2254; A45C 11/38

See application file for complete search history.

(57) **CLAIM**

The ornamental design for a cover for camera, as shown and described.

DESCRIPTION

1. Cover for camera

1.1 : Front

1.2 : Back

1.3 : Top

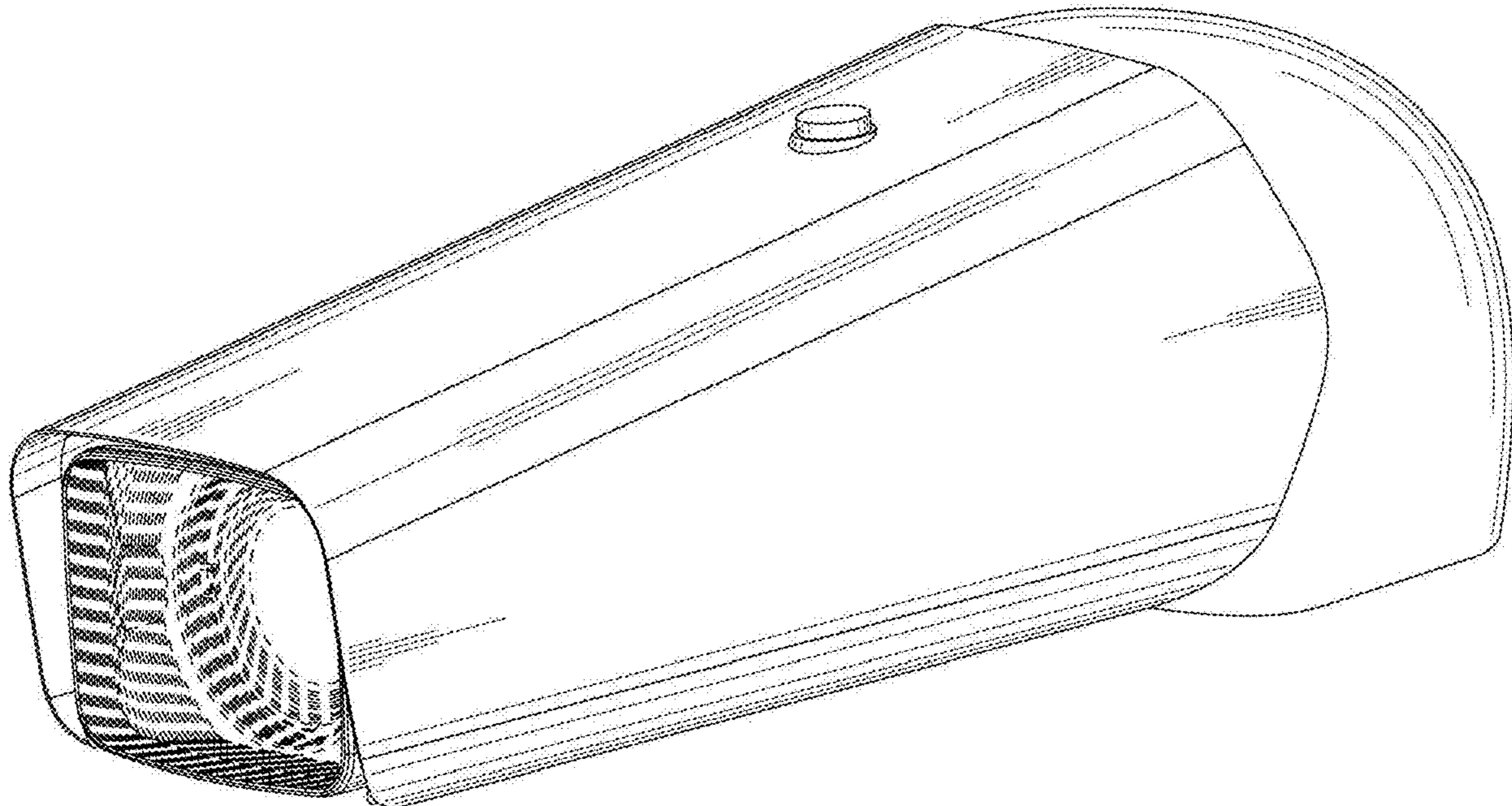
1.4 : Bottom

1.5 : Left

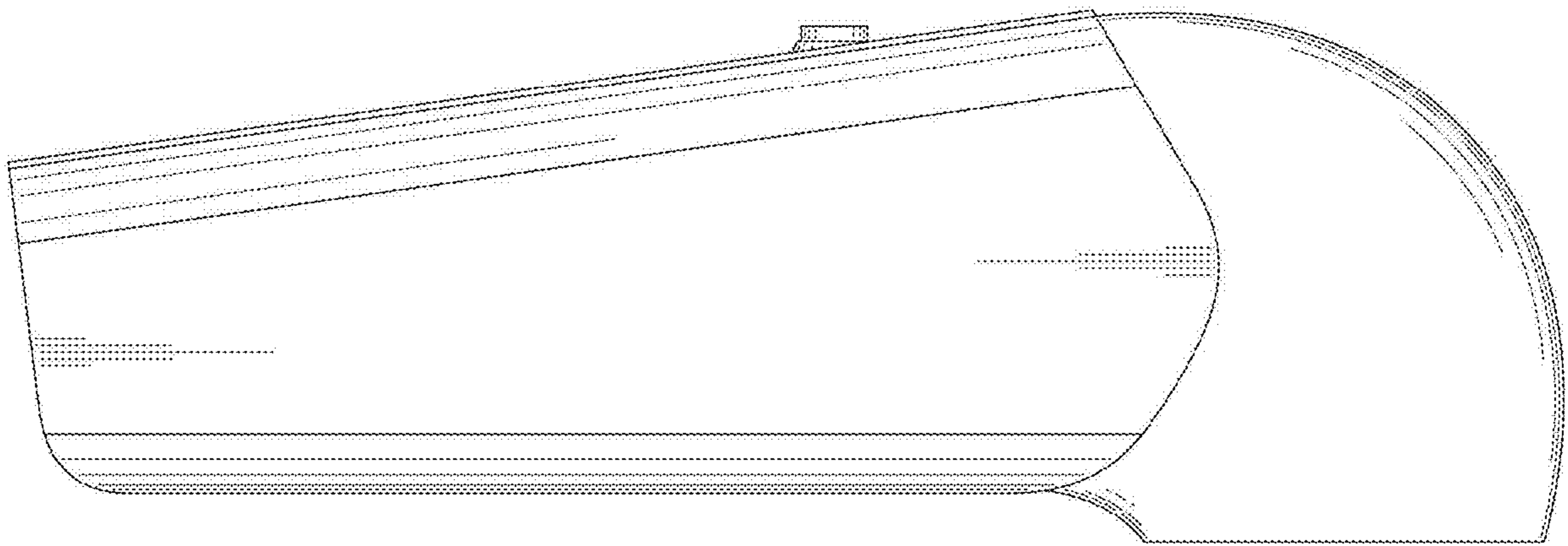
1.6 : Right

The broken lines in Figure 1.7 disclose environmental matter only and form no part of the claimed design.

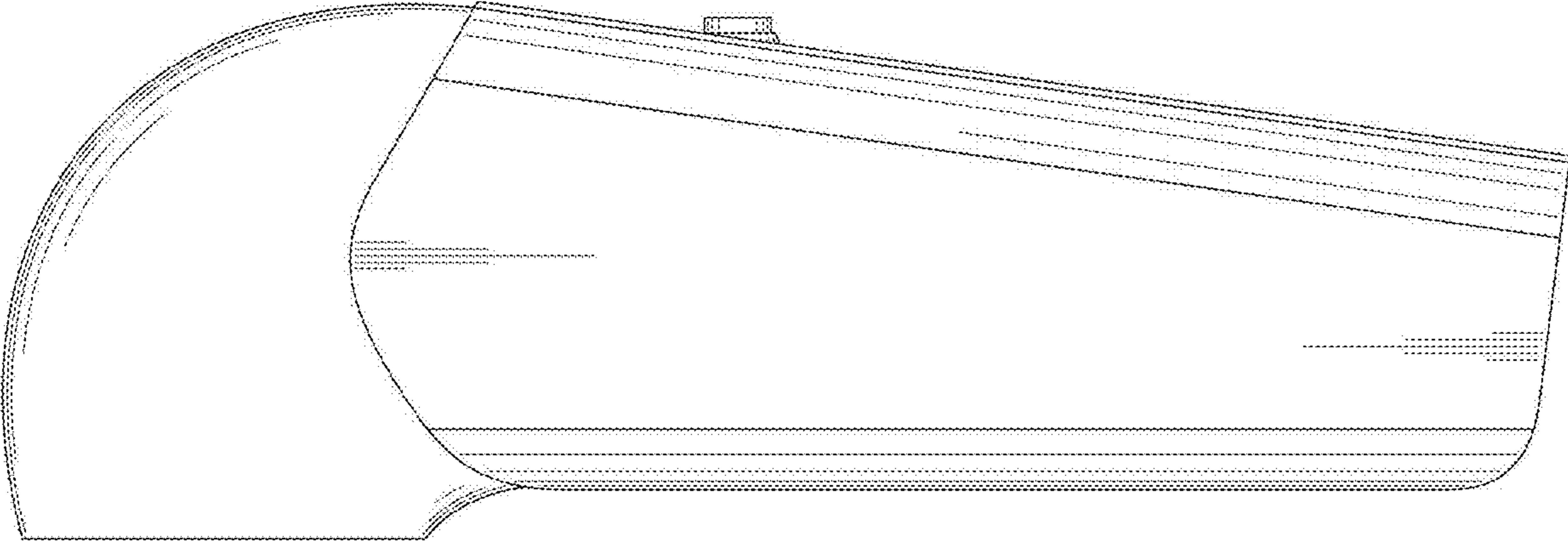
1 Claim, 7 Drawing Sheets



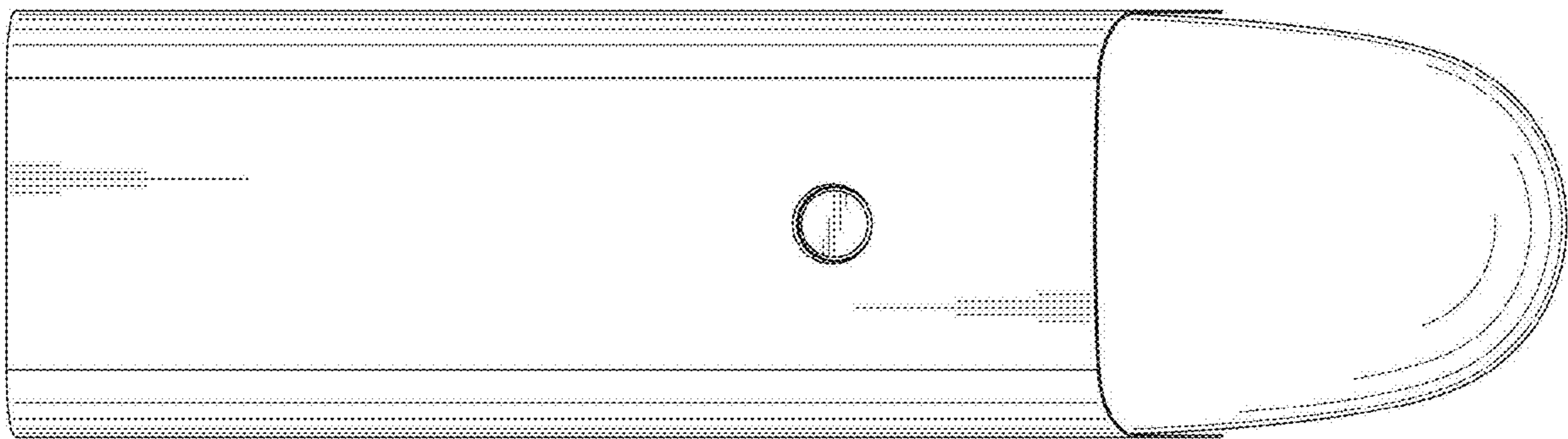
1.1



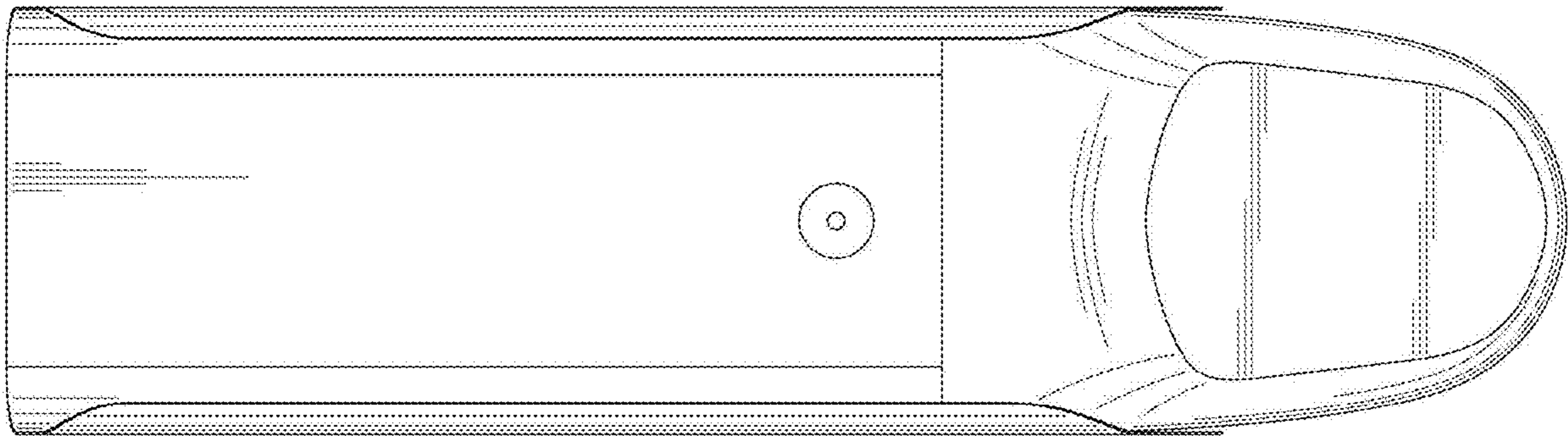
1.2



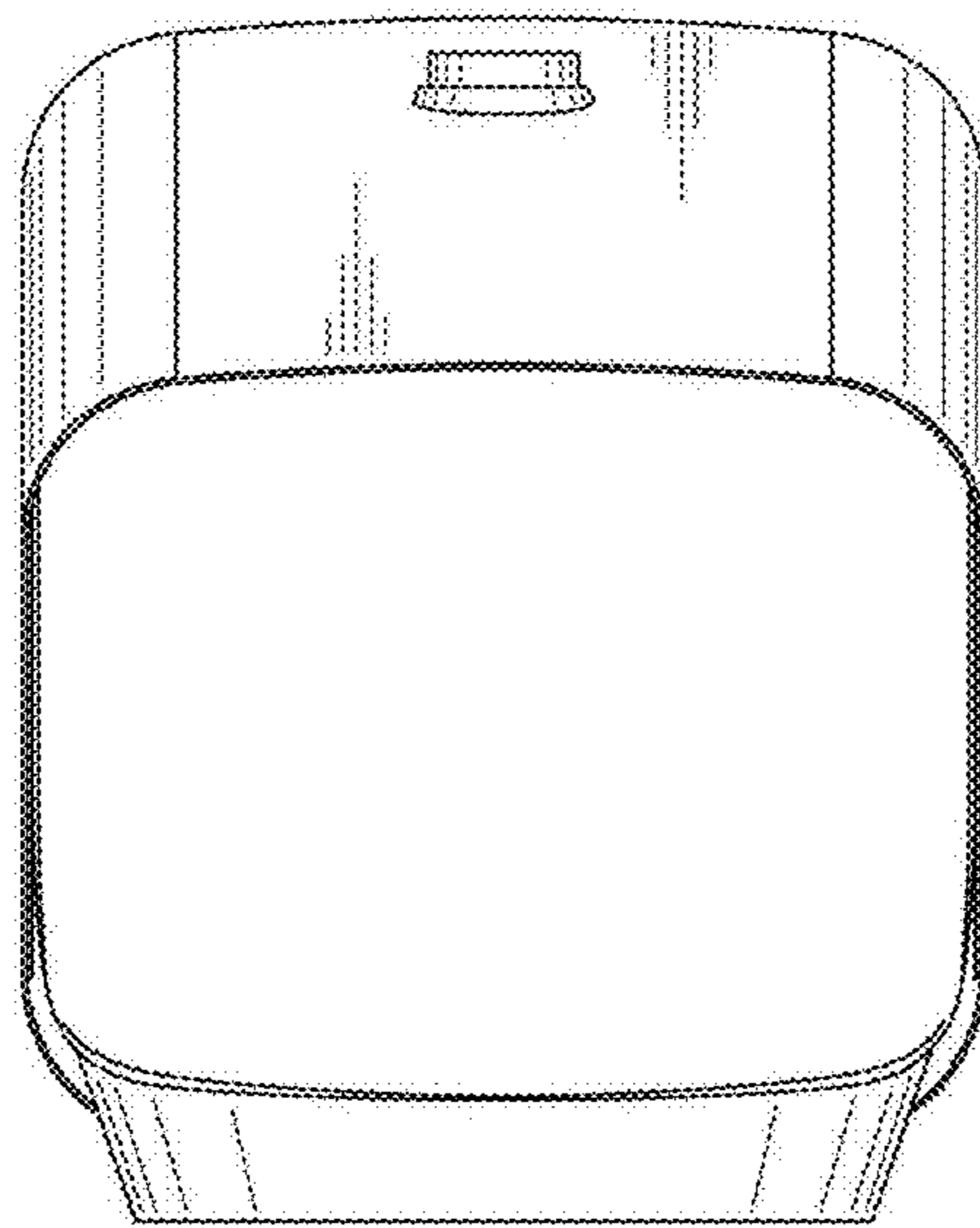
1.3



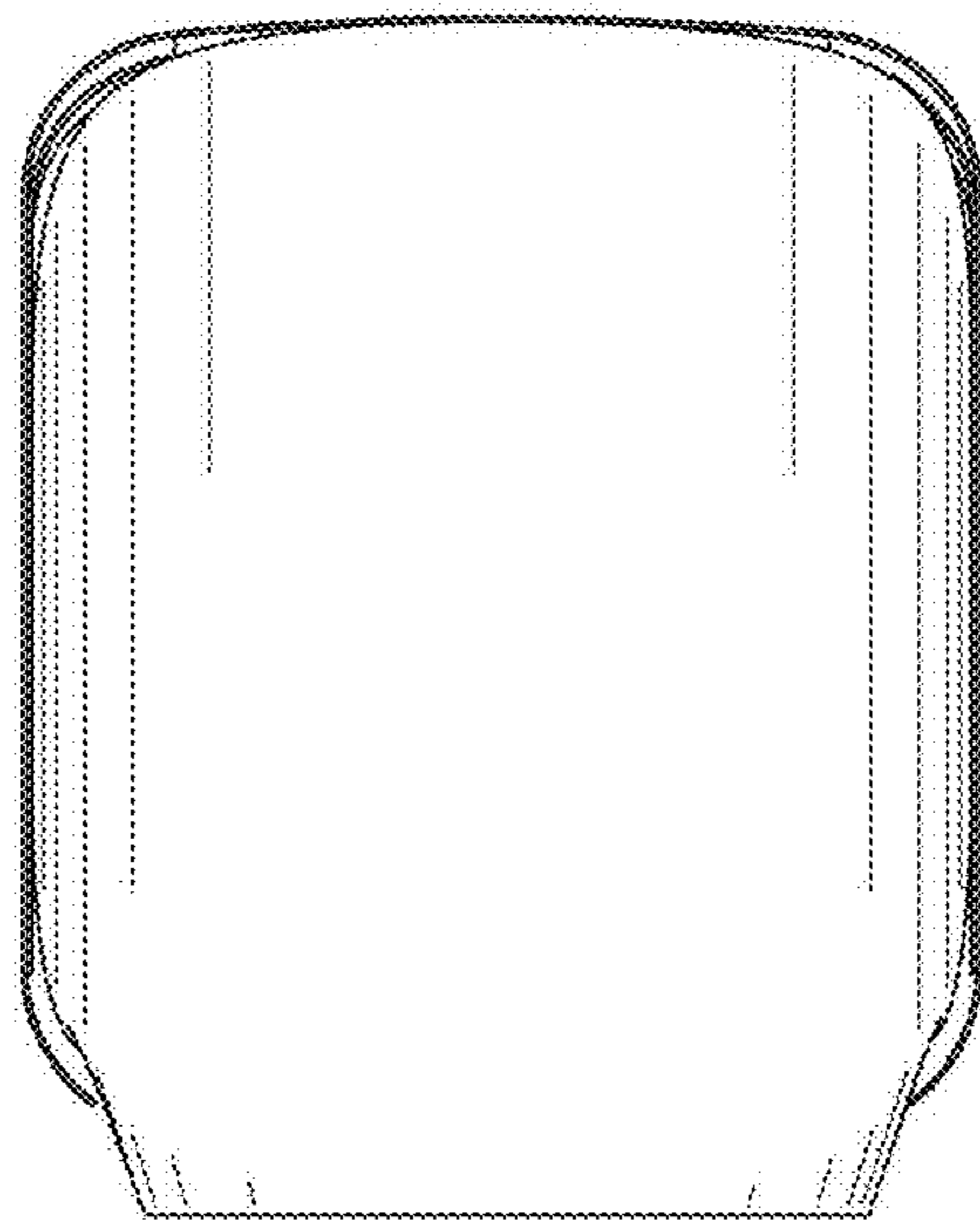
1.4



1.5



1.6



1.7

