



US00D903744S

(12) **United States Design Patent**  
**Gao**

(10) **Patent No.:** **US D903,744 S**

(45) **Date of Patent:** **\*\* Dec. 1, 2020**

(54) **PROJECTOR**

(71) Applicant: **SHENZHEN AOKANG TECHNOLOGY CO., LTD.**, Shenzhen (CN)

(72) Inventor: **Hongbing Gao**, Shenzhen (CN)

(73) Assignee: **SHENZHEN AOKANG TECHNOLOGY CO., LTD.**, Shenzhen (CN)

(\*\*) Term: **15 Years**

(21) Appl. No.: **29/690,725**

(22) Filed: **May 10, 2019**

(30) **Foreign Application Priority Data**

Jan. 21, 2019 (CN) ..... 2019 3 0031213

(51) **LOC (12) Cl.** ..... **16-02**

(52) **U.S. Cl.**  
USPC ..... **D16/230**

(58) **Field of Classification Search**  
USPC ..... D16/221, 225, 230-231, 234; D21/514;  
353/115, 119  
CPC ..... G03B 21/145; G03B 21/14; G03B 21/16;  
G03B 21/12; G03B 21/001; G03B  
21/003; G03B 21/00  
See application file for complete search history.

(56) **References Cited**

**U.S. PATENT DOCUMENTS**

D555,185 S \* 11/2007 Nozue ..... D16/225  
D831,096 S \* 10/2018 Gao ..... D16/230

D850,518 S \* 6/2019 Gan ..... D16/230  
D854,072 S \* 7/2019 Gan ..... D16/230  
D854,073 S \* 7/2019 Gan ..... D16/230  
D865,033 S \* 10/2019 Cheng ..... D16/230  
D866,643 S \* 11/2019 Liang ..... D16/230  
D871,489 S \* 12/2019 Wan ..... D16/230  
D886,889 S \* 6/2020 Mao ..... D16/230

\* cited by examiner

*Primary Examiner* — Wan Laymon

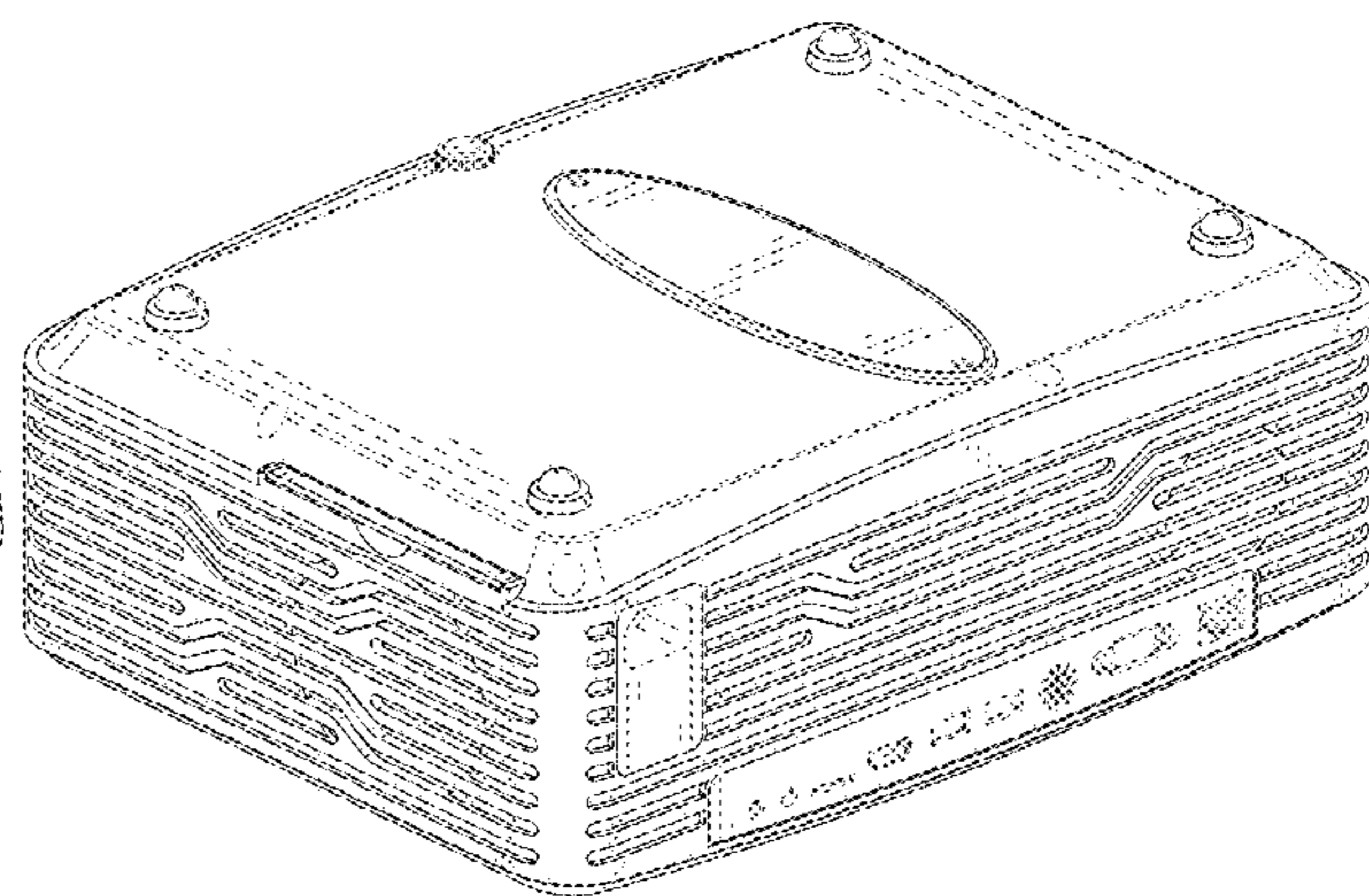
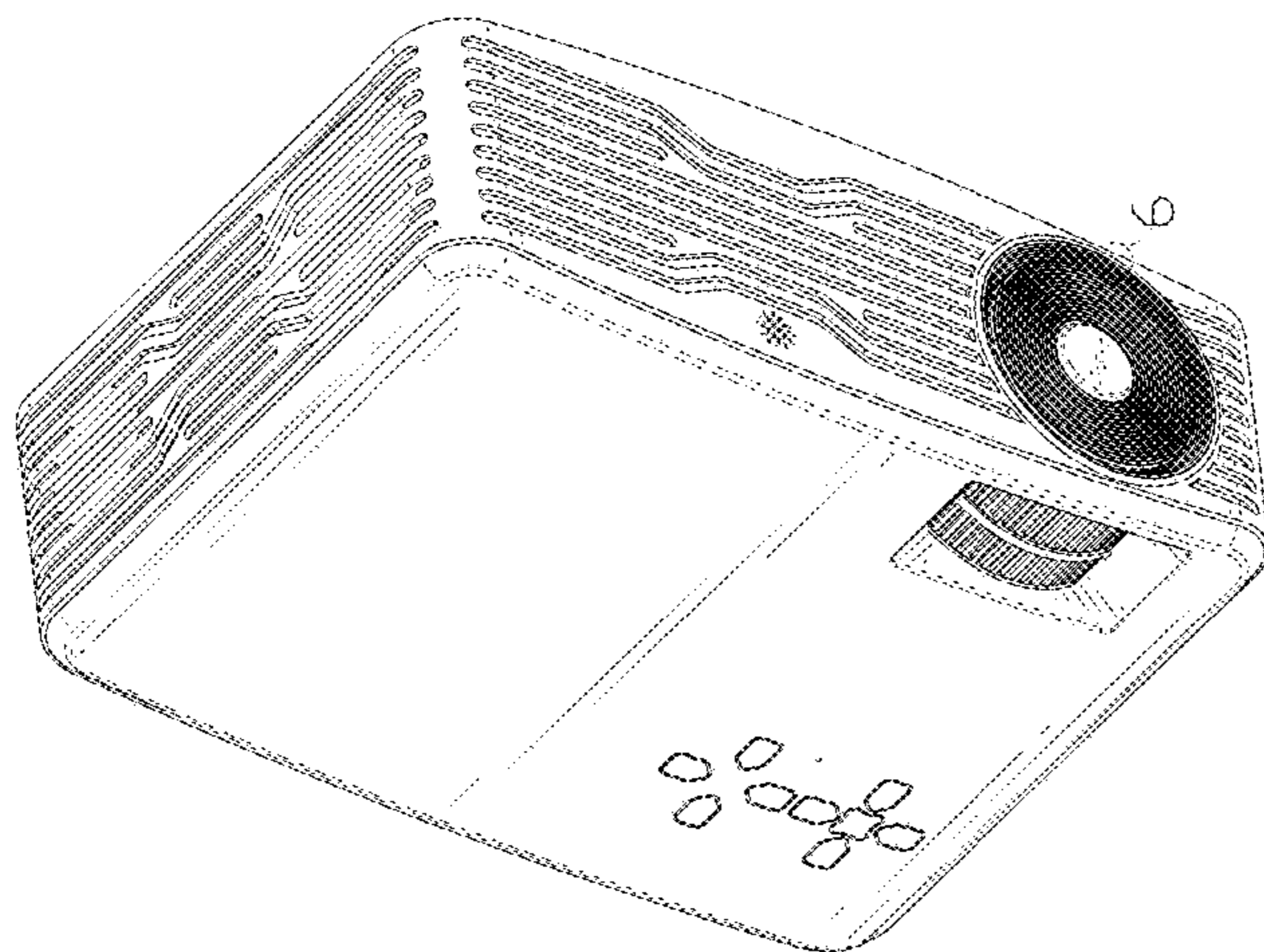
(57) **CLAIM**

The ornamental design for a projector, as shown and described.

**DESCRIPTION**

FIG. 1 is a perspective view of a projector showing my new design;  
FIG. 2 is another perspective view thereof;  
FIG. 3 is a front elevational view thereof;  
FIG. 4 is a rear elevational view thereof;  
FIG. 5 is a left side elevational view thereof;  
FIG. 6 is a right side elevational view thereof;  
FIG. 7 is a top plan view thereof;  
FIG. 8 is a bottom plan view thereof;  
FIG. 9 is an enlarged view of the encircled portion 9 of FIG. 1; and,  
FIG. 10 is an enlarged view of the encircled portion 10 of FIG. 3.  
The broken lines in the drawings are for the purpose of illustrating portions of the projector that form no part of the claimed design.

**1 Claim, 10 Drawing Sheets**



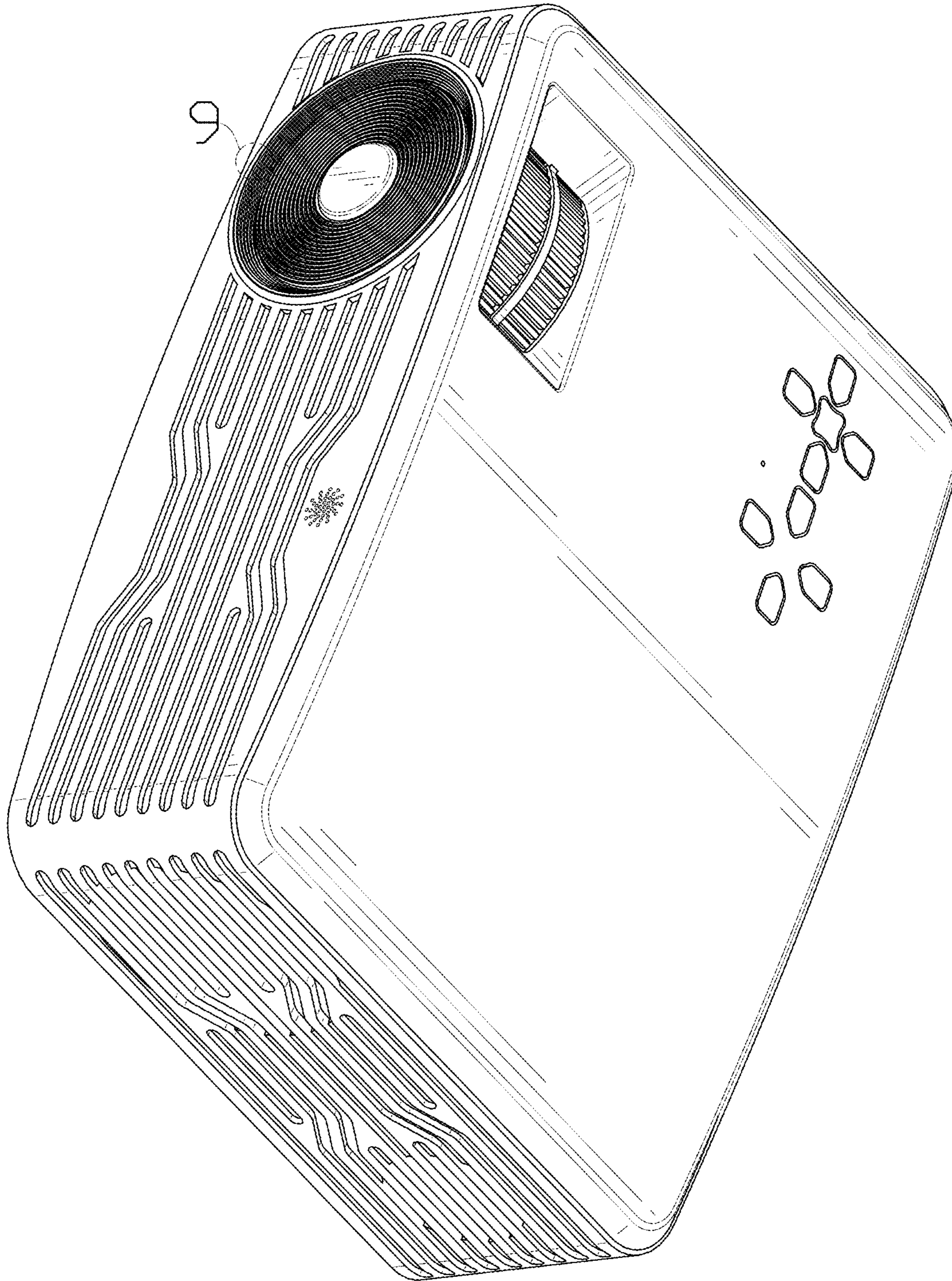


FIG. 1

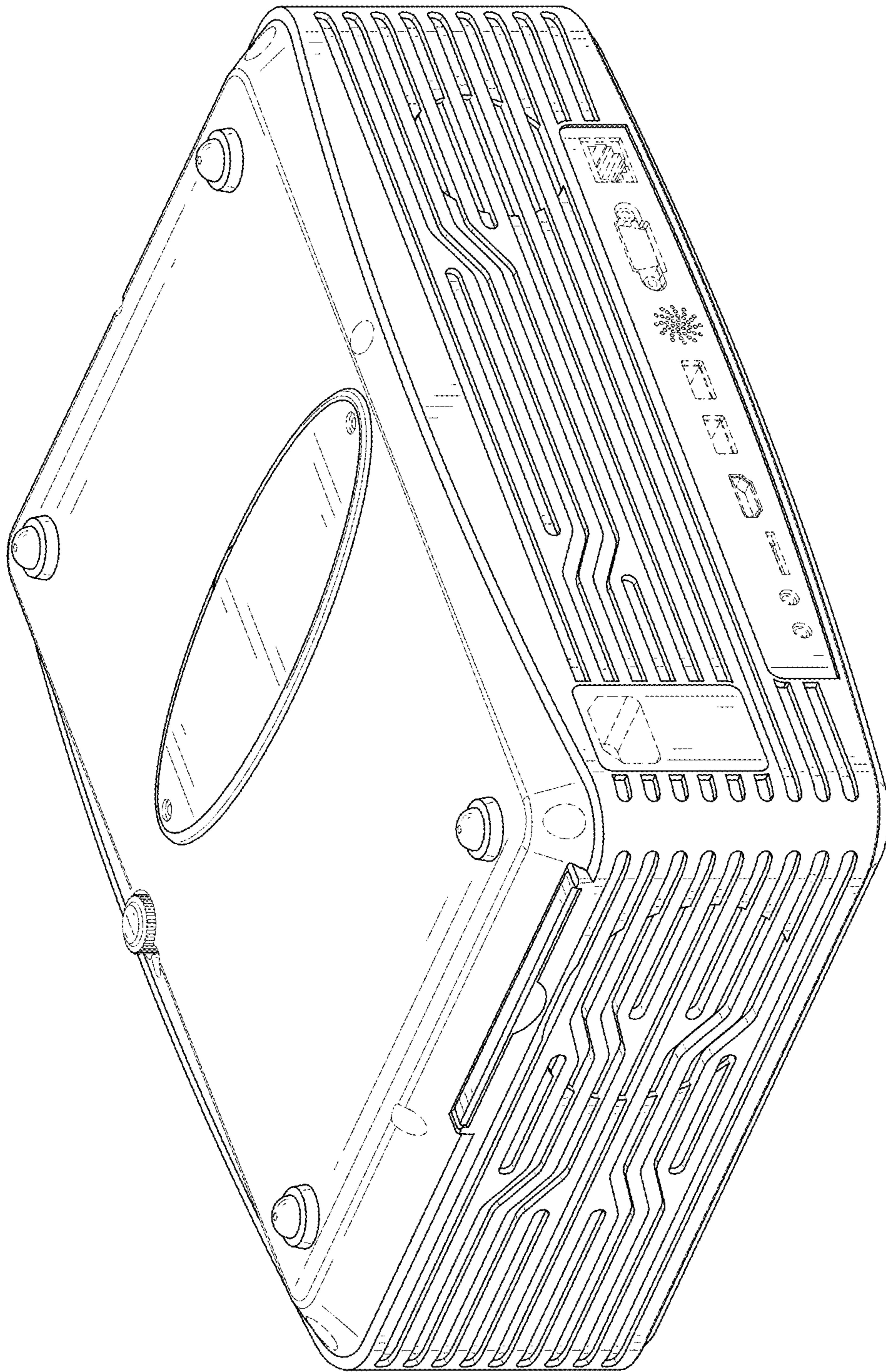


FIG. 2

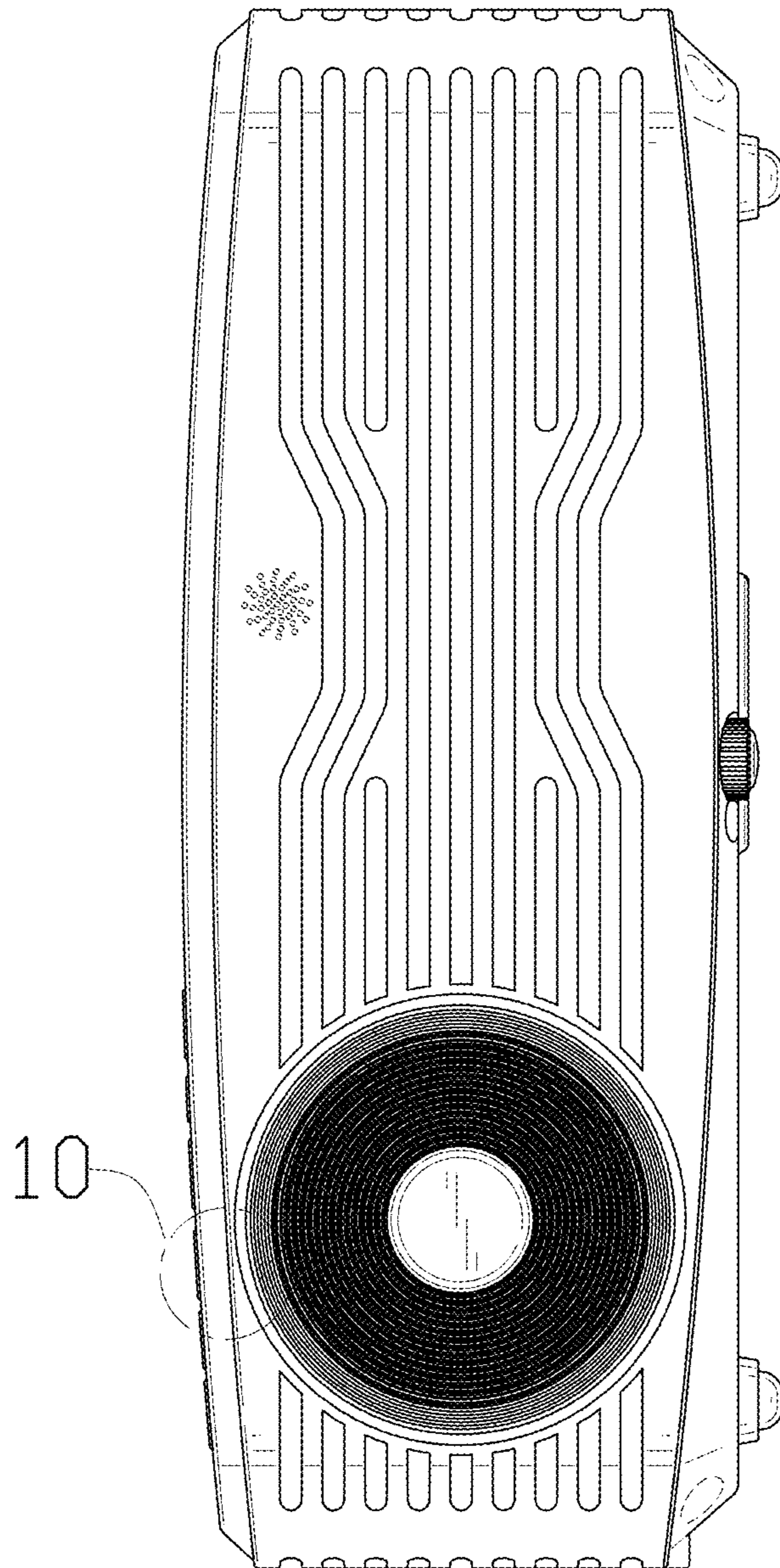


FIG. 3

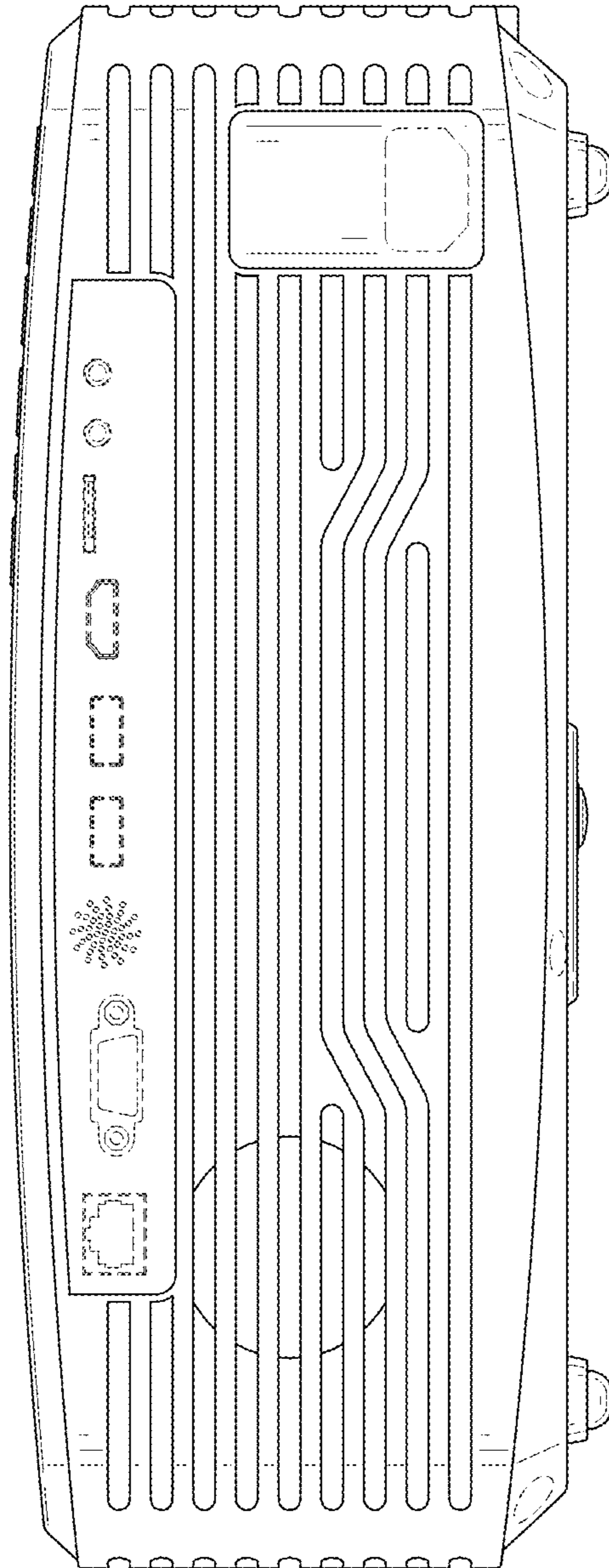


FIG. 4

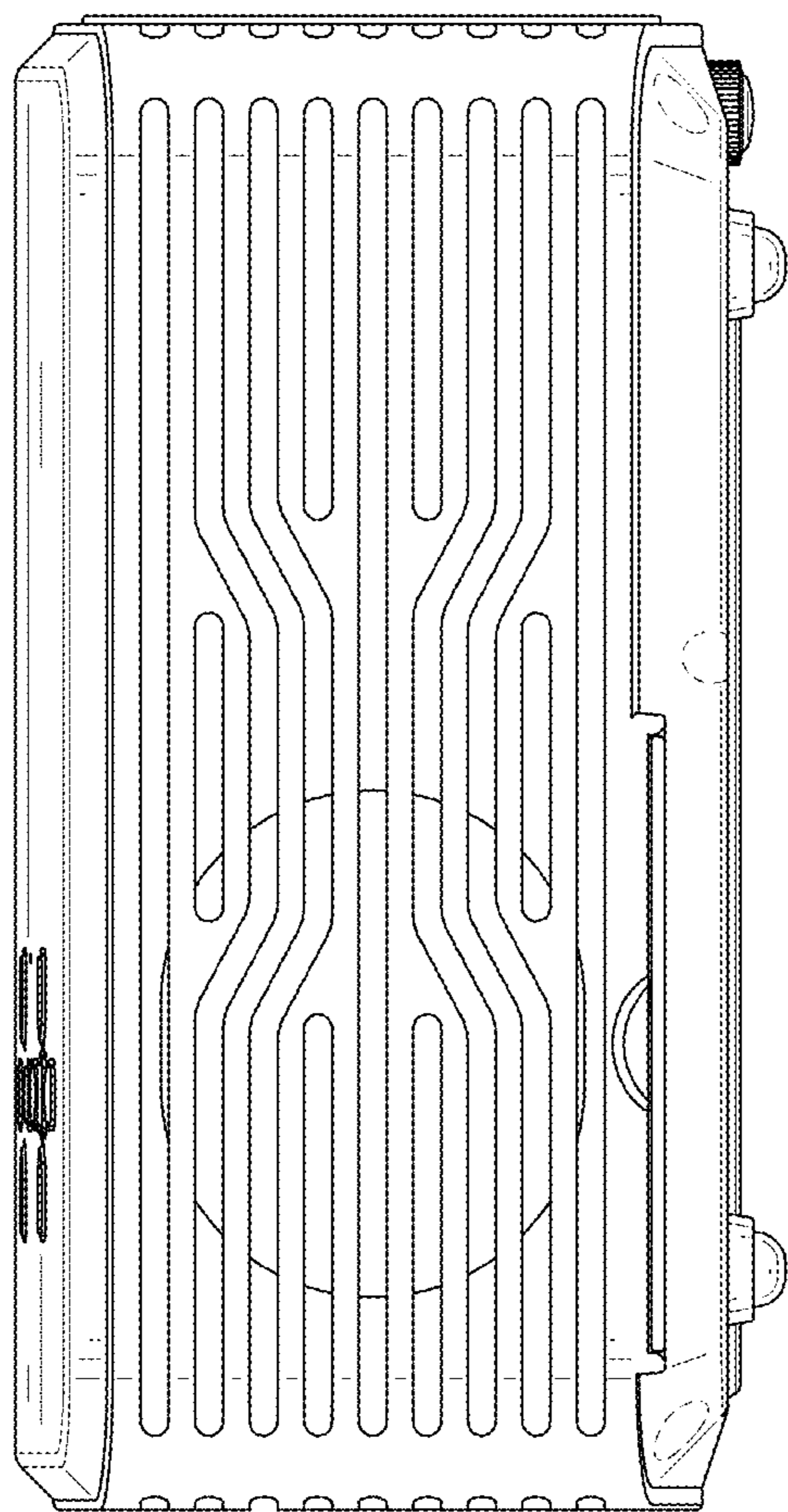


FIG. 5

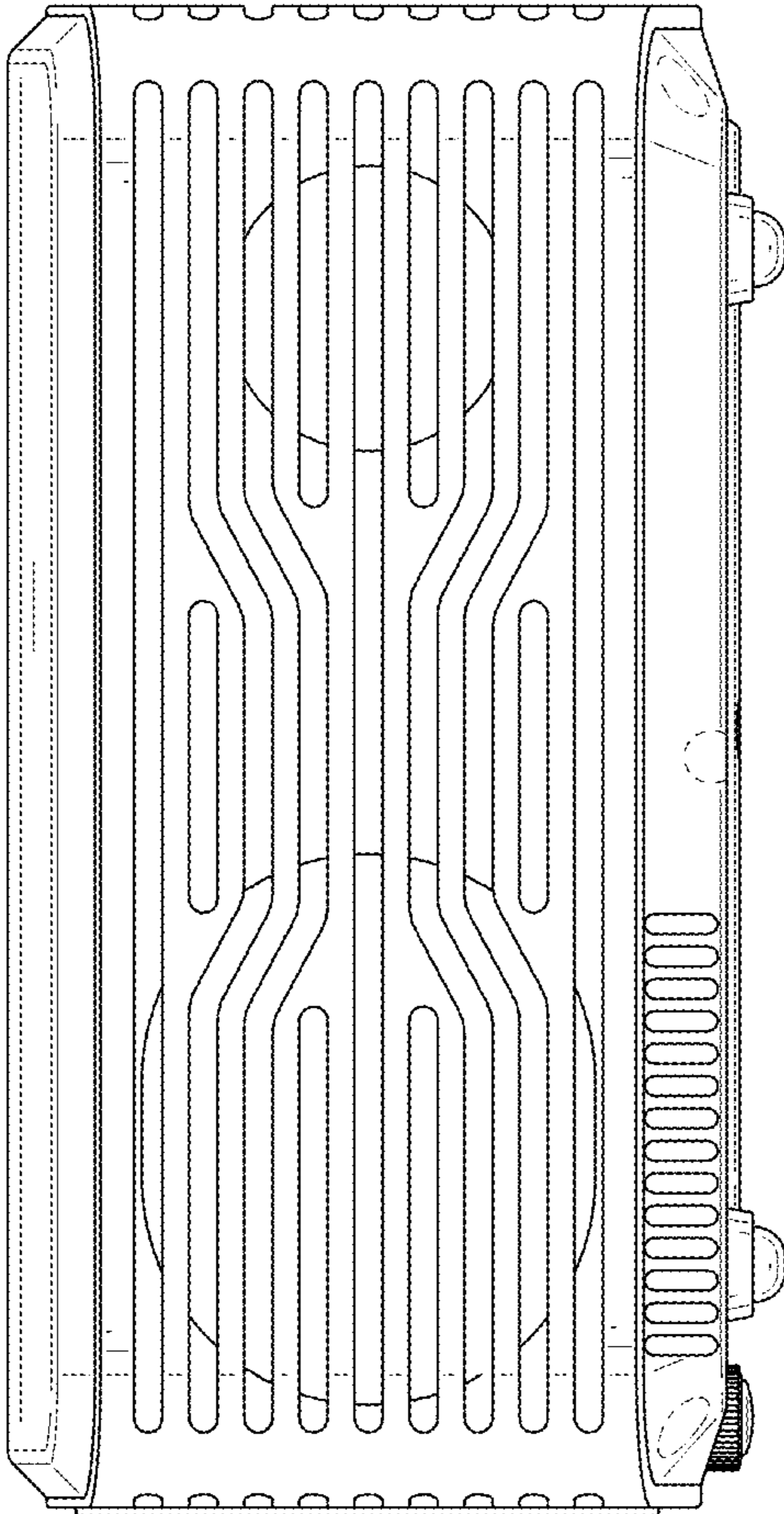


FIG. 6

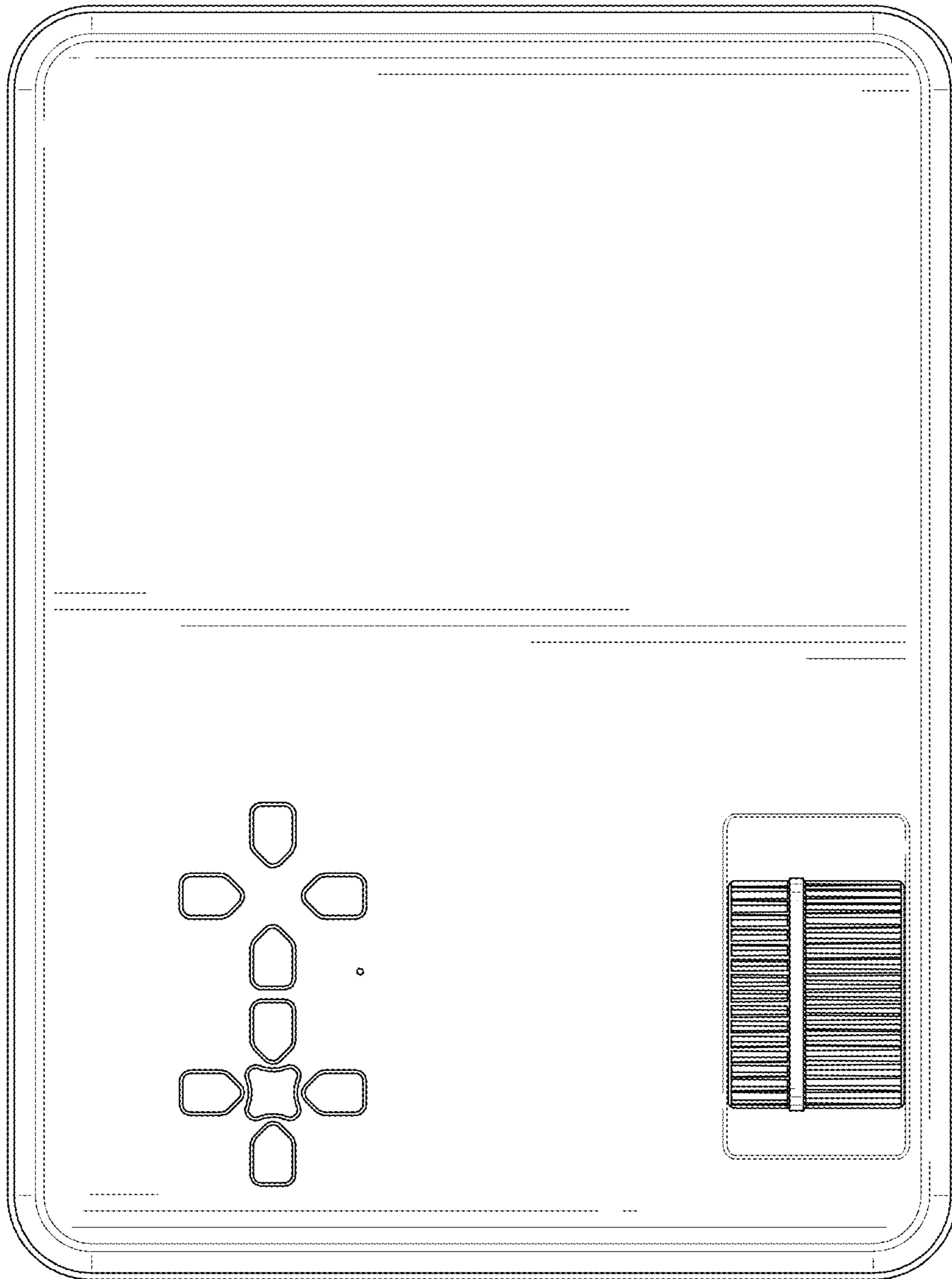


FIG. 7



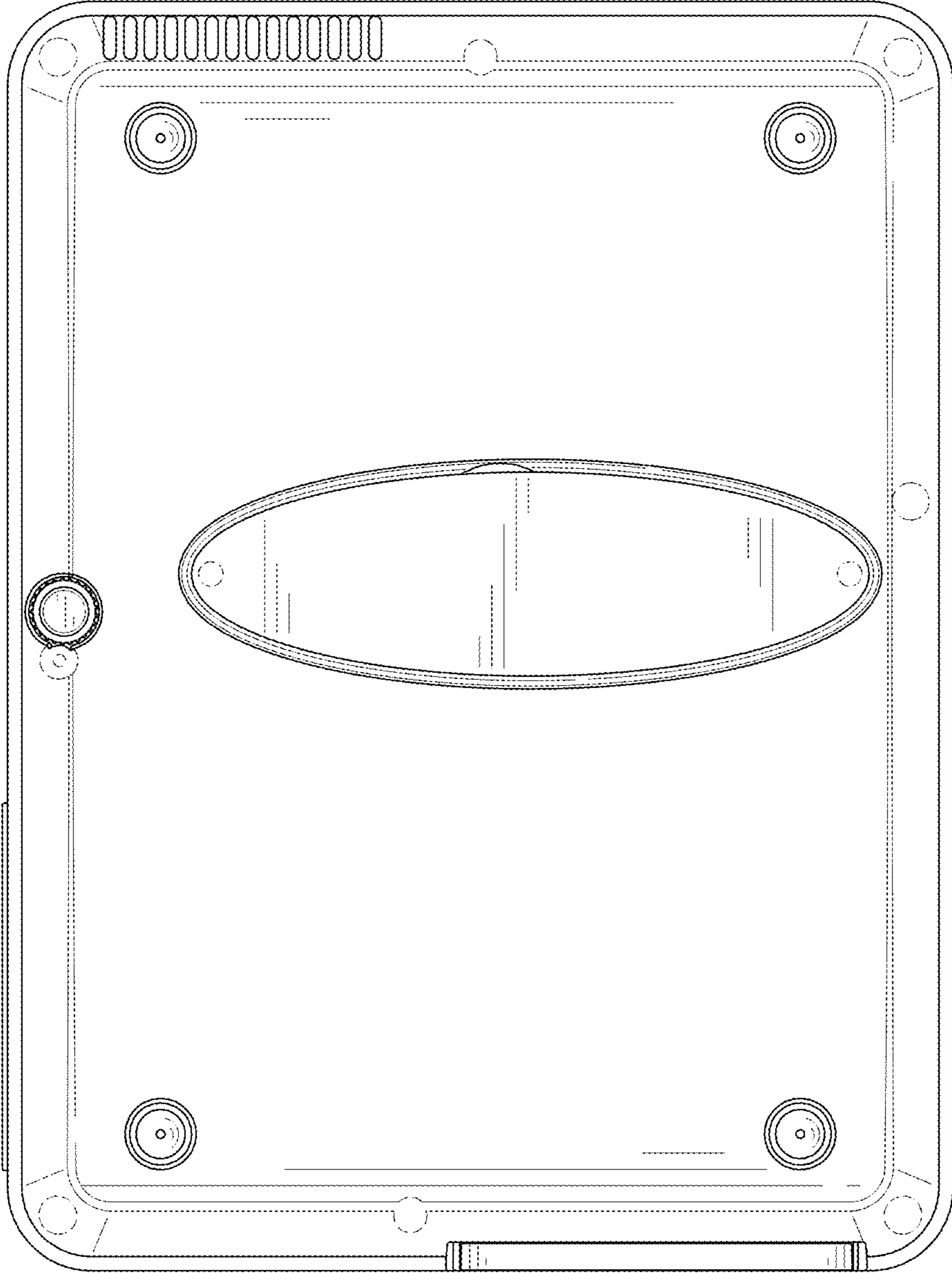


FIG. 8

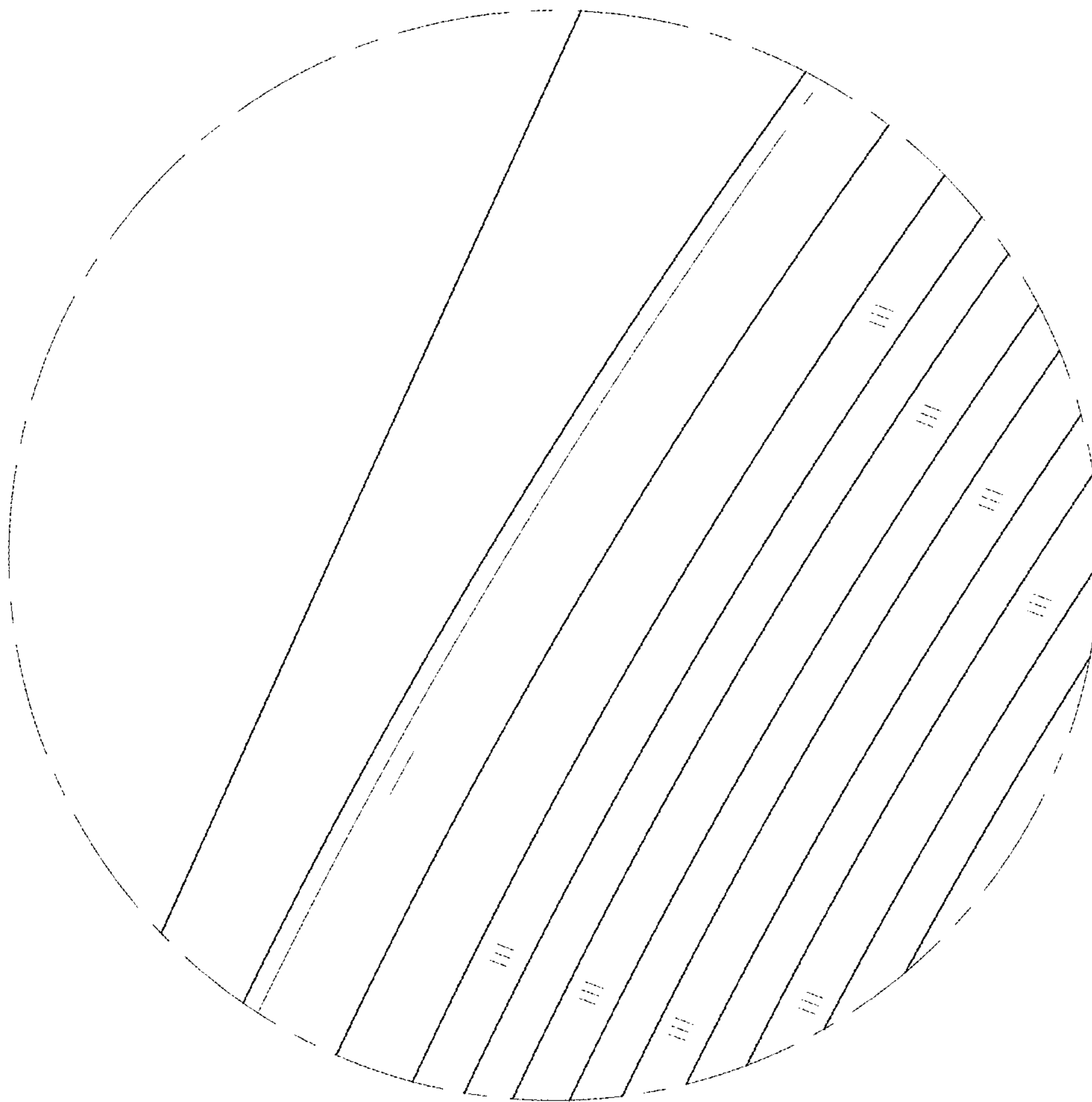


FIG. 9

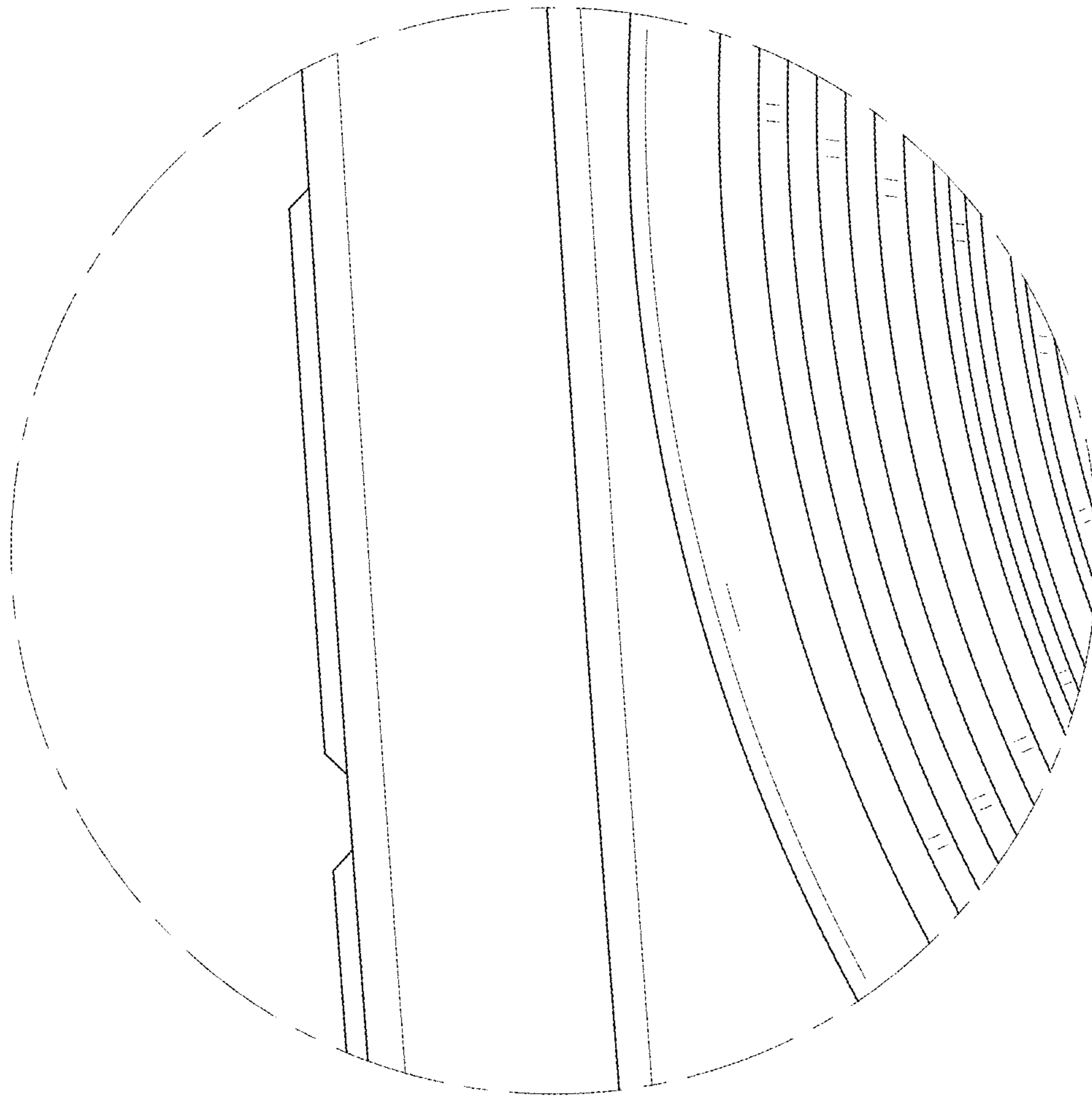


FIG. 10