



US00D903742S

(12) **United States Design Patent**
Sakai

(10) **Patent No.:** **US D903,742 S**

(45) **Date of Patent:** **** Dec. 1, 2020**

(54) **FOCUS CONTROL DEVICE**

(71) Applicant: **FUJIFILM Corporation**, Tokyo (JP)

(72) Inventor: **Hiroyuki Sakai**, Saitama (JP)

(73) Assignee: **FUJIFILM Corporation**, Tokyo (JP)

(**) Term: **15 Years**

(21) Appl. No.: **29/699,483**

(22) Filed: **Jul. 25, 2019**

(30) **Foreign Application Priority Data**

Mar. 8, 2019 (JP) 2019-004884

(51) **LOC (12) Cl.** **16-05**

(52) **U.S. Cl.**
USPC **D16/219**; D16/237

(58) **Field of Classification Search**
USPC D16/134, 136, 200, 202–205, 218, 219,
D16/235, 242; 348/373–376;
359/826–828; 396/529–532, 535,
396/539–541
CPC G03B 17/02; G03B 19/04; G03B 17/56;
G03B 17/04; G03B 15/03; G03B 17/14;
H04N 5/2251; H04N 5/2252; H04N
5/2253; H04N 5/2254; G02B 7/02; G02B
7/04; G02B 7/14

See application file for complete search history.

(56) **References Cited**

U.S. PATENT DOCUMENTS

D533,489 S * 12/2006 Tokumoto D12/179
D656,534 S * 3/2012 Geller D16/242

D704,245 S * 5/2014 Kim D16/237
8,770,539 B1 * 7/2014 Hsu F16M 11/10
248/688
D713,440 S * 9/2014 Zhan D16/237
D780,825 S * 3/2017 Kim D16/242
D790,000 S * 6/2017 Wang D16/200
D816,758 S * 5/2018 Martin D16/237
D863,411 S * 10/2019 Liao D16/243
D868,877 S * 12/2019 Lin D16/243
D888,136 S * 6/2020 Handler D16/237

* cited by examiner

Primary Examiner — Ramzi S Almatrahi

(74) *Attorney, Agent, or Firm* — Studebaker & Brackett
PC

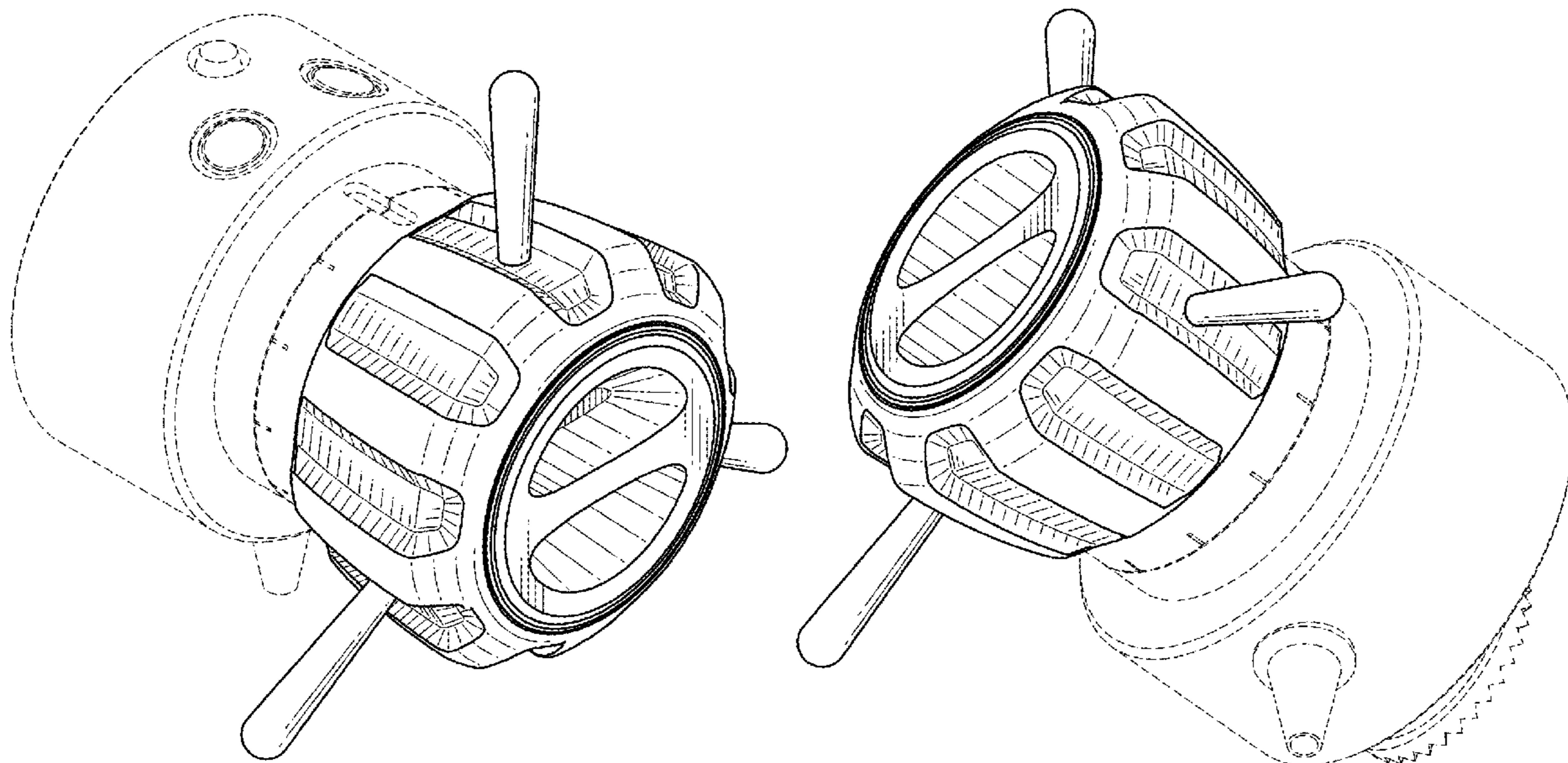
(57) **CLAIM**

The ornamental design for a focus control device, as shown and described.

DESCRIPTION

FIG. 1 is a top and left side perspective view of a focus control device, showing my new design;
FIG. 2 is a bottom and right side perspective view thereof;
FIG. 3 is a front view thereof;
FIG. 4 is a rear view thereof;
FIG. 5 is a top plan view thereof;
FIG. 6 is a bottom plan view thereof;
FIG. 7 is a right side view thereof; and,
FIG. 8 is a left side view thereof.
The broken lines illustrate portions of the focus control device and form no part of the claimed design.

1 Claim, 8 Drawing Sheets



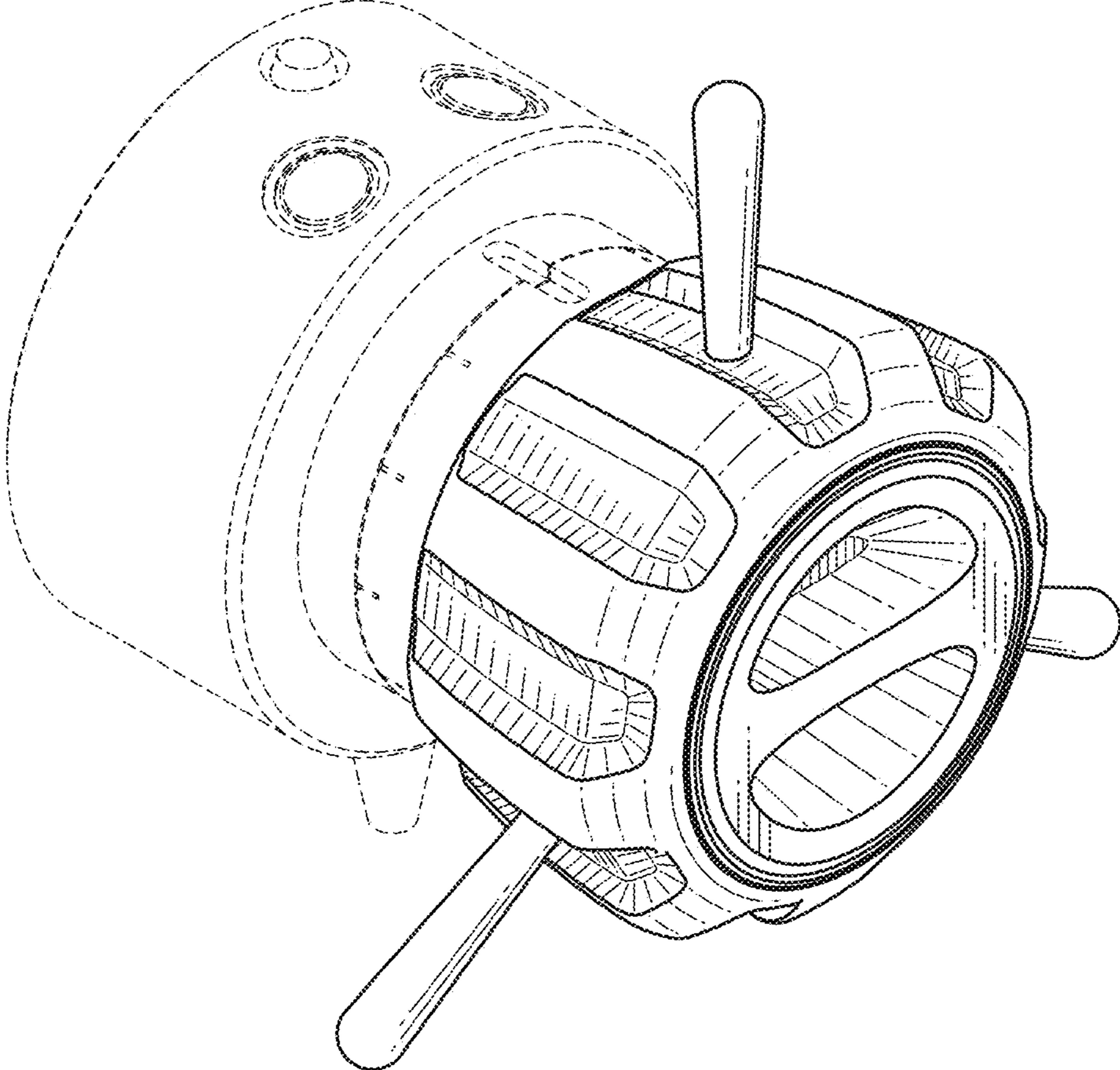


FIG. 1

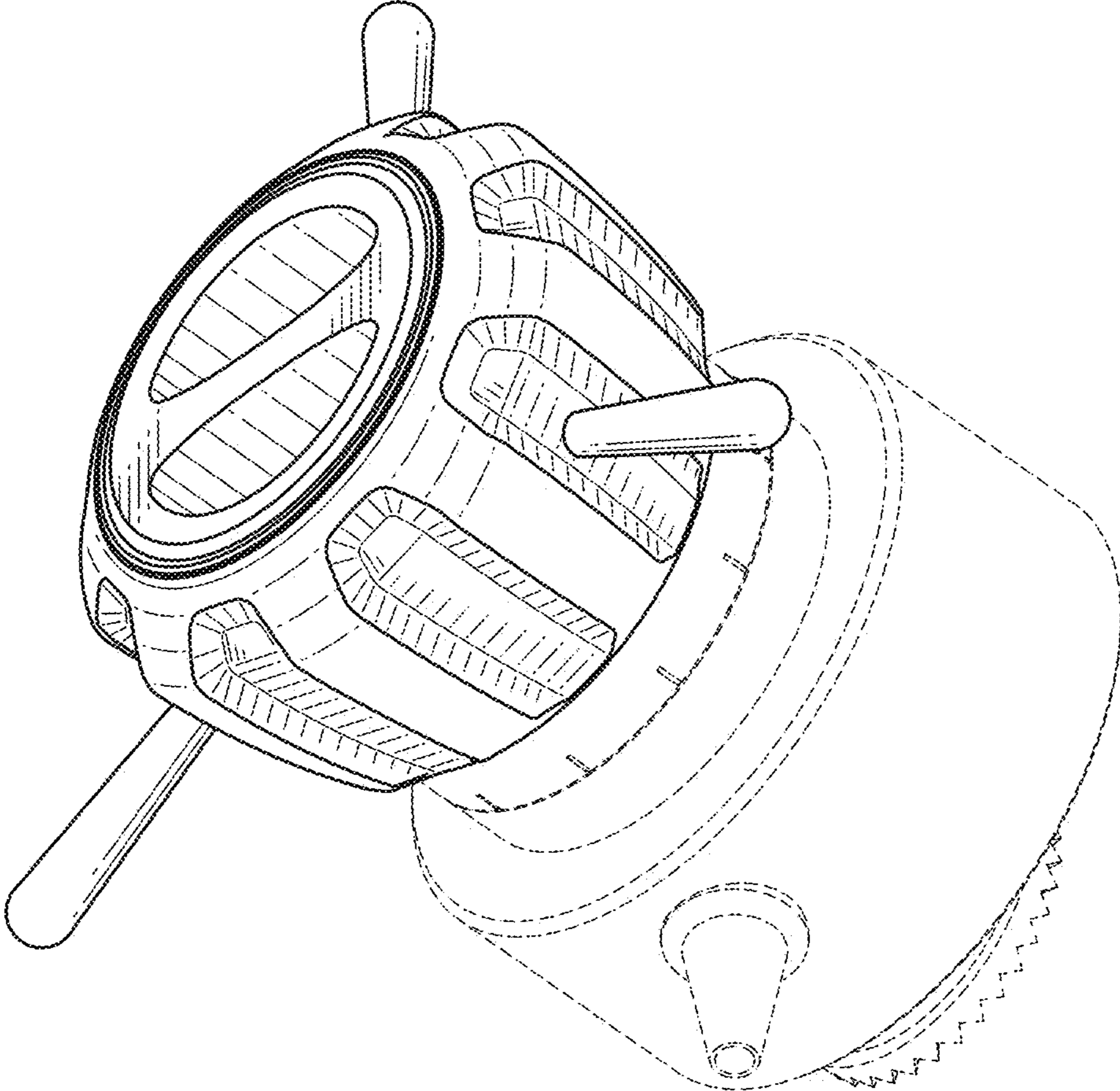


FIG. 2

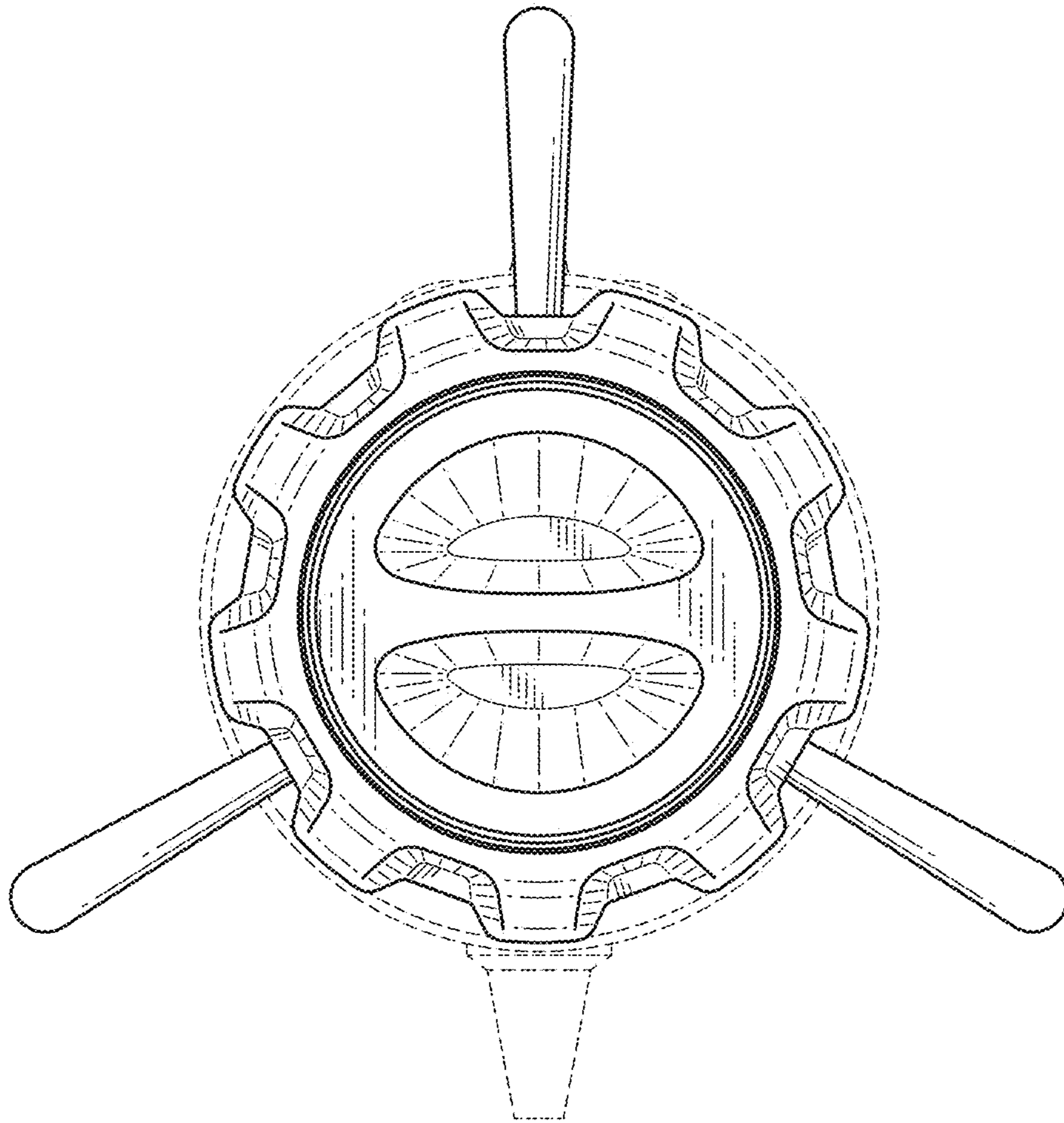


FIG. 3

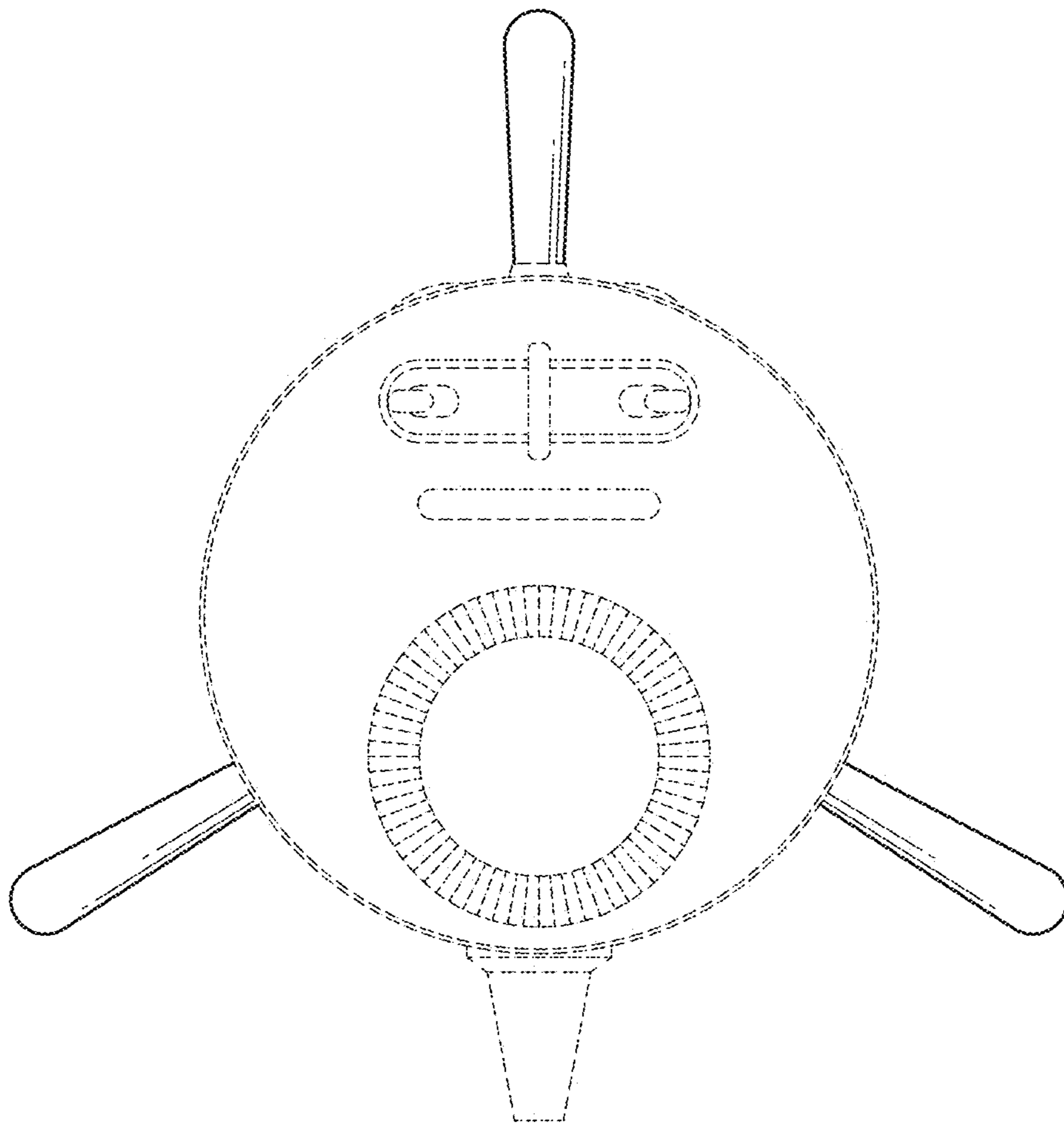


FIG. 4

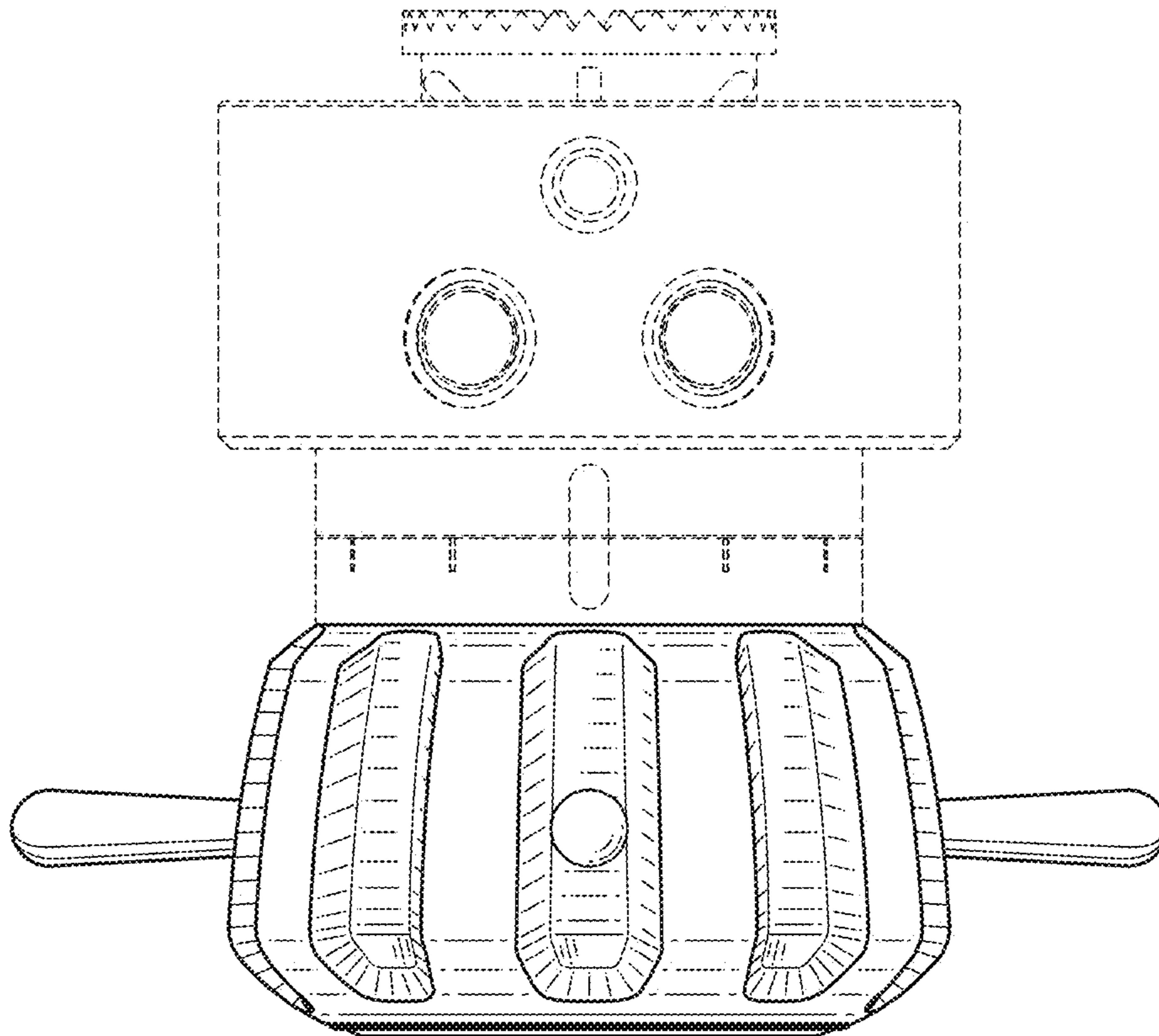


FIG. 5

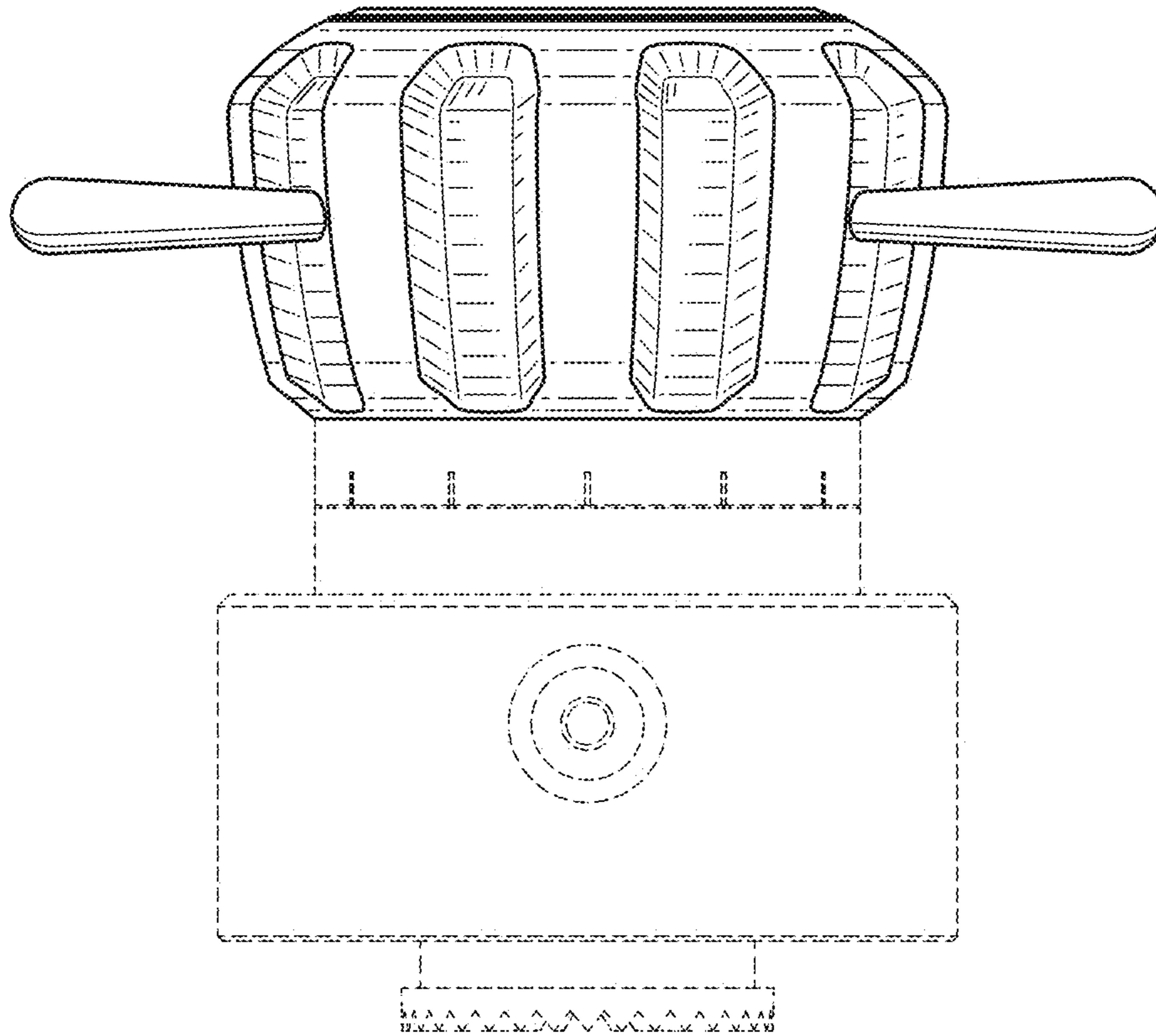


FIG. 6

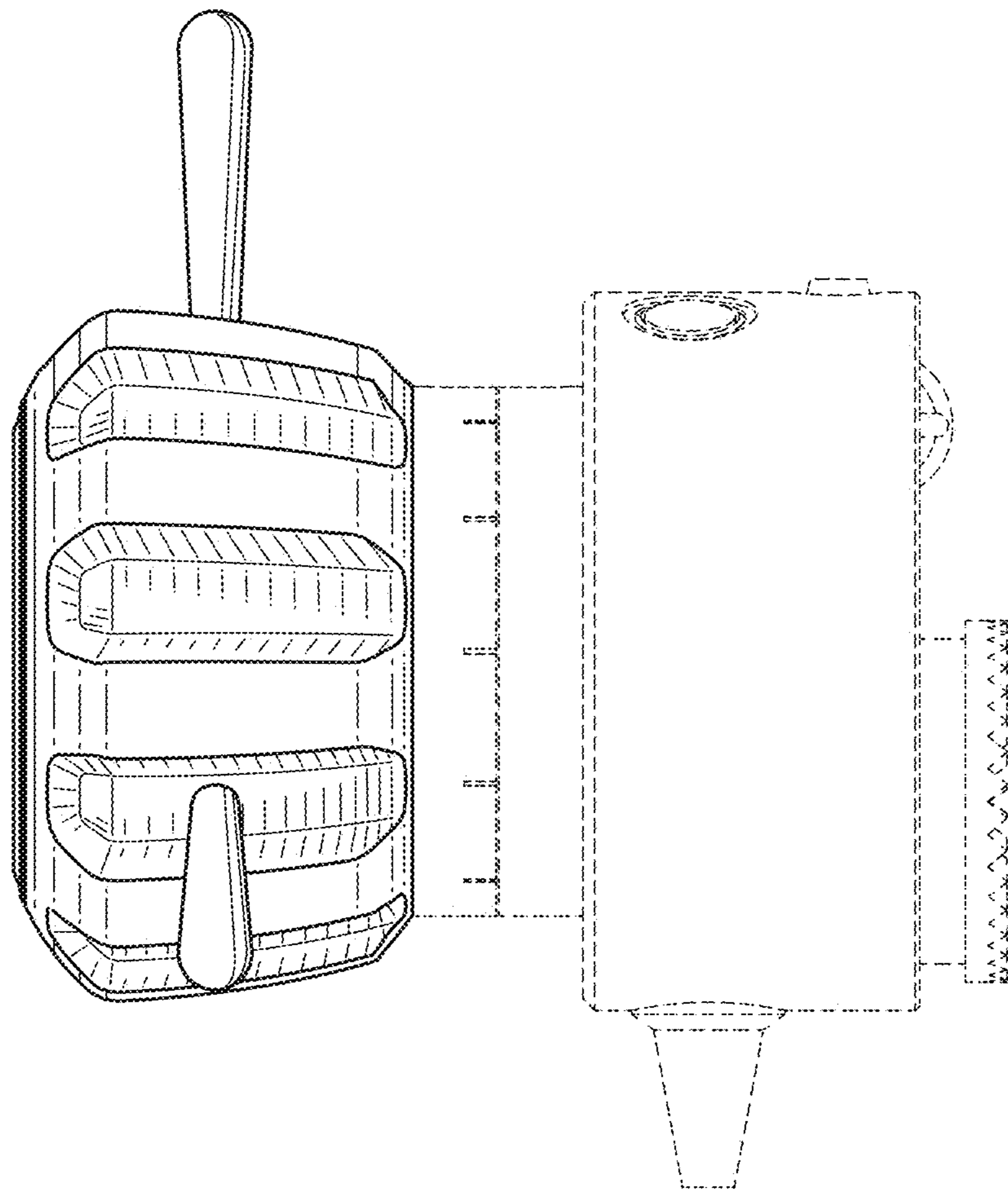


FIG. 7

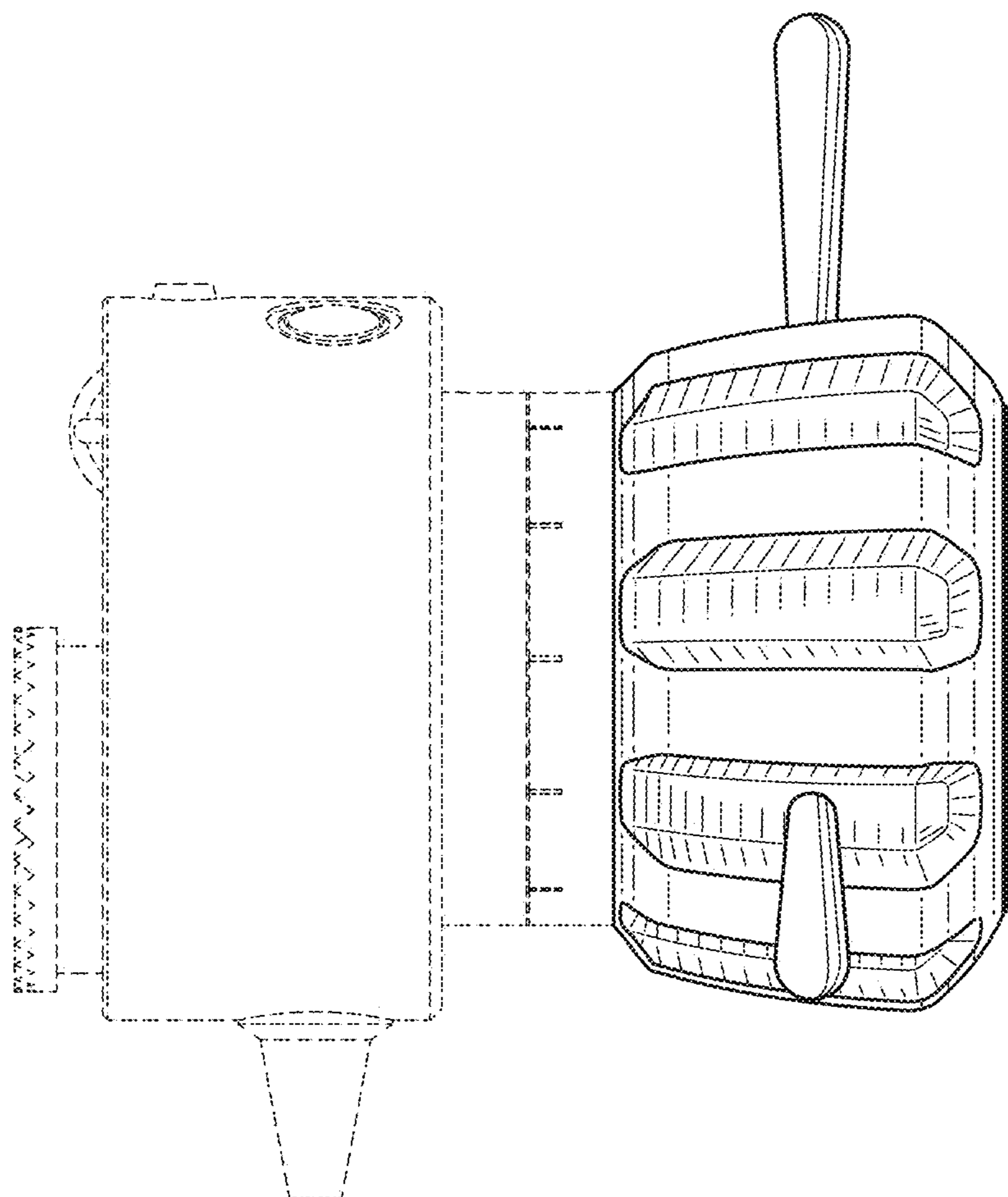


FIG. 8