



US00D903741S

(12) **United States Design Patent**  
**Kim**

(10) **Patent No.:** **US D903,741 S**

(45) **Date of Patent:** **\*\* Dec. 1, 2020**

(54) **INTERCHANGEABLE LENS FOR CAMERA**

(71) Applicant: **SAMYANG OPTICS CO., LTD.**,  
Changwon-si (KR)

(72) Inventor: **Byeong-su Kim**, Changwon-si (KR)

(73) Assignee: **SAMYANG OPTICS CO., LTD.**,  
Changwon-si (KR)

(\*\*) Term: **15 Years**

(21) Appl. No.: **29/696,828**

(22) Filed: **Jul. 1, 2019**

(30) **Foreign Application Priority Data**

May 8, 2019 (KR) ..... 30-2019-0021485

(51) **LOC (12) Cl.** ..... **16-05**

(52) **U.S. Cl.**  
USPC ..... **D16/219**

(58) **Field of Classification Search**  
USPC ..... D16/134, 136, 200, 202-205, 218, 219,  
D16/235, 242; 348/373-376;  
359/826-828; 396/529-532, 535,  
396/539-541

CPC ..... G03B 17/02; G03B 19/04; G03B 17/56;  
G03B 17/04; G03B 15/03; G03B 17/14;  
H04N 5/2251; H04N 5/2252; H04N  
5/2253; H04N 5/2254; G02B 7/02; G02B  
7/04; G02B 7/14

See application file for complete search history.

(56) **References Cited**

**U.S. PATENT DOCUMENTS**

D562,863 S \* 2/2008 Yasutomi ..... D16/134  
D562,865 S \* 2/2008 Yasutomi ..... D16/134  
D718,361 S \* 11/2014 Noh ..... D16/219

D724,644 S \* 3/2015 Tainaka ..... D16/219  
D737,359 S \* 8/2015 Jung ..... D16/219  
D768,224 S \* 10/2016 Kim ..... D16/219  
D783,078 S \* 4/2017 Kim ..... D16/219  
D783,700 S \* 4/2017 Tagawa ..... D16/219  
D837,276 S \* 1/2019 Ikegame ..... D16/219  
D837,277 S \* 1/2019 Ikegame ..... D16/219  
D849,116 S \* 5/2019 Lee ..... D16/219  
D857,080 S \* 8/2019 Kamei ..... D16/219  
2015/0116535 A1 \* 4/2015 Wu ..... H04N 9/735  
348/224.1

\* cited by examiner

*Primary Examiner* — Ramzi S Almatrahi

(74) *Attorney, Agent, or Firm* — SoCal IP Law Group  
LLP; Jonathan Pearce

(57) **CLAIM**

The ornamental design for an interchangeable lens for camera, as shown and described.

**DESCRIPTION**

A portion of the disclosure of this patent document contains material which is subject to copyright protection. The copyright owner has no objection to the facsimile reproduction by anyone of the patent document or the patent disclosure, as it appears in the Patent and Trademark Office patent file or records, but otherwise reserves all copyright rights whatsoever.

FIG. 1 is a front perspective view of an interchangeable lens for camera;

FIG. 2 is a front view thereof;

FIG. 3 is a rear view thereof;

FIG. 4 is a left side view thereof;

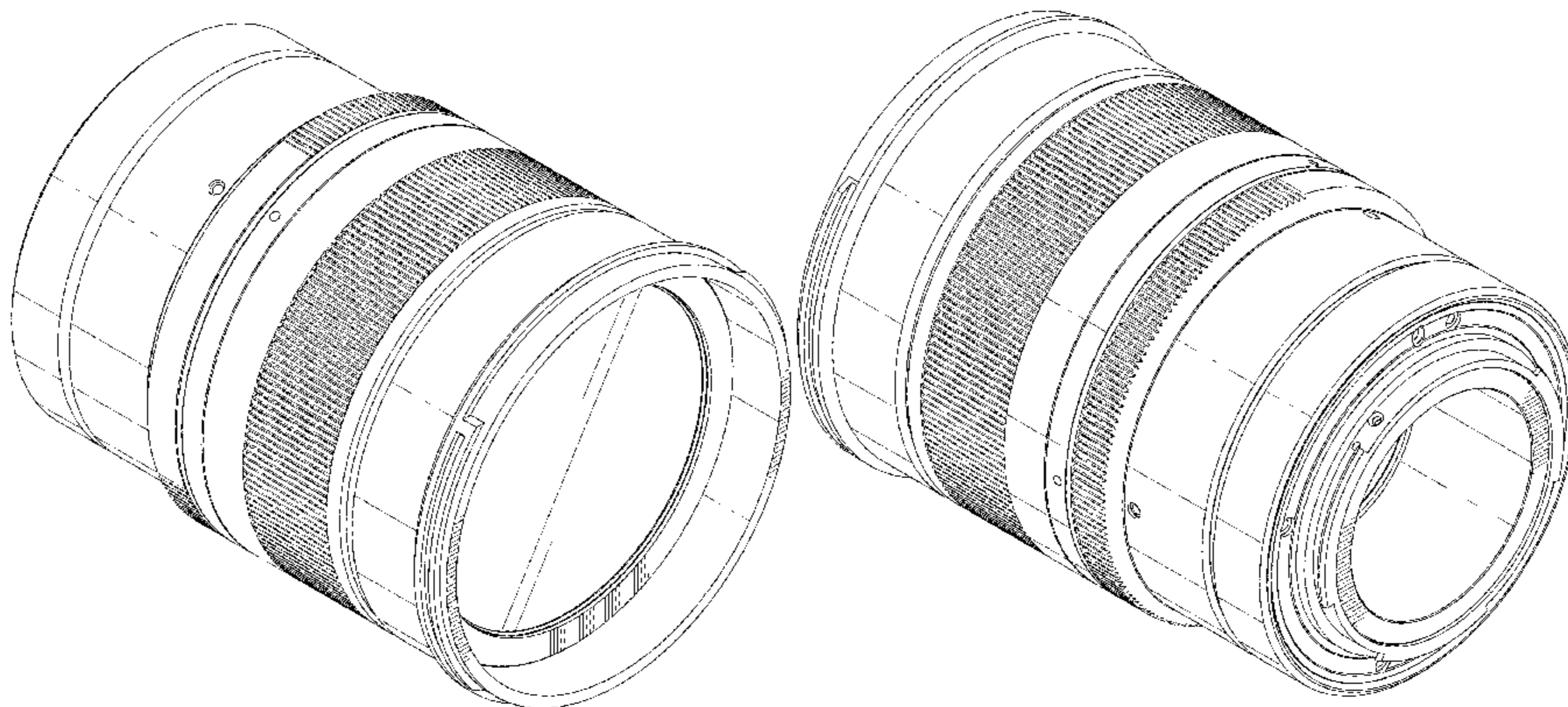
FIG. 5 is a right side view thereof;

FIG. 6 is a top plan view thereof;

FIG. 7 is a bottom plan view thereof; and,

FIG. 8 is a rear perspective view thereof.

**1 Claim, 8 Drawing Sheets**



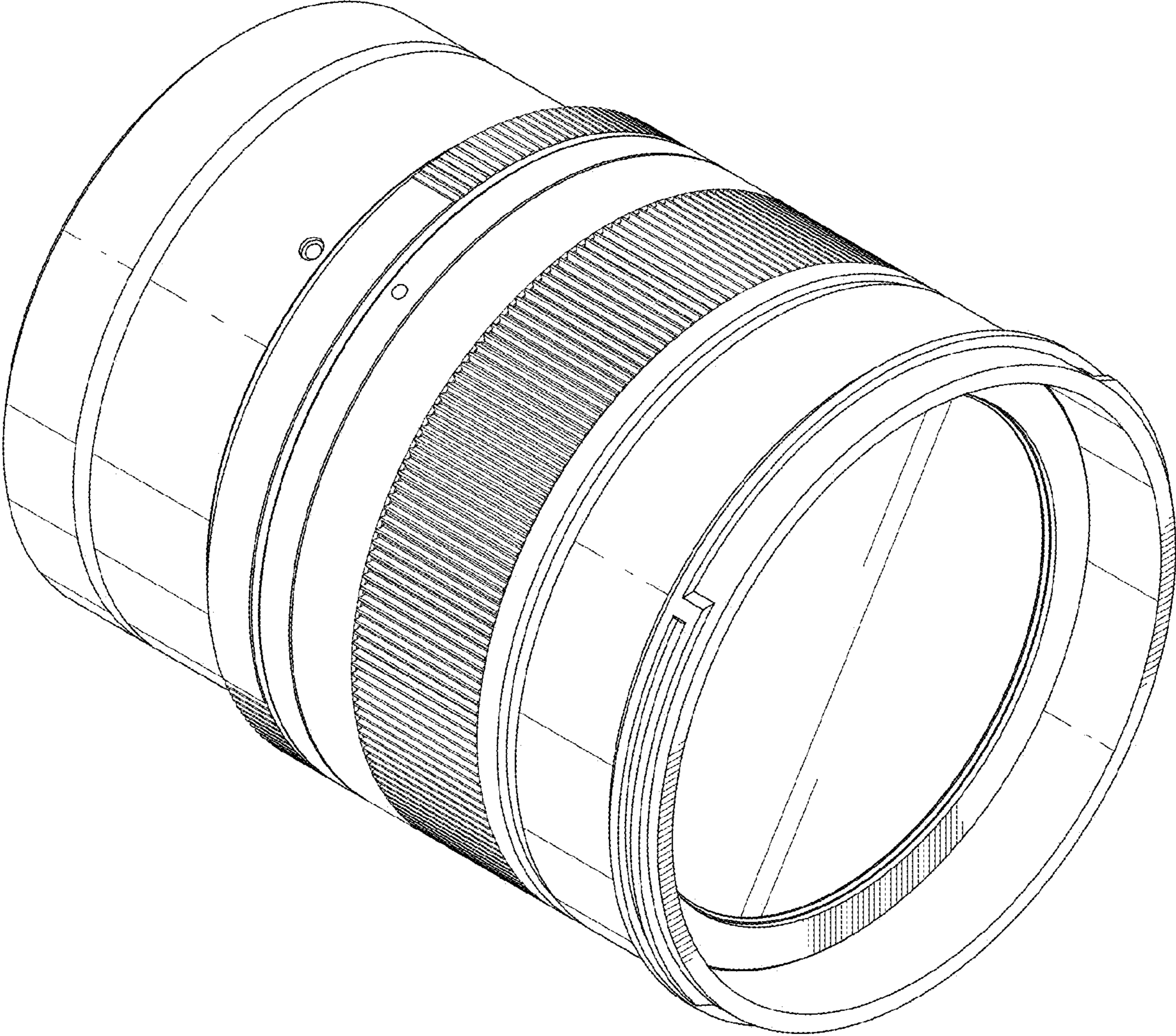
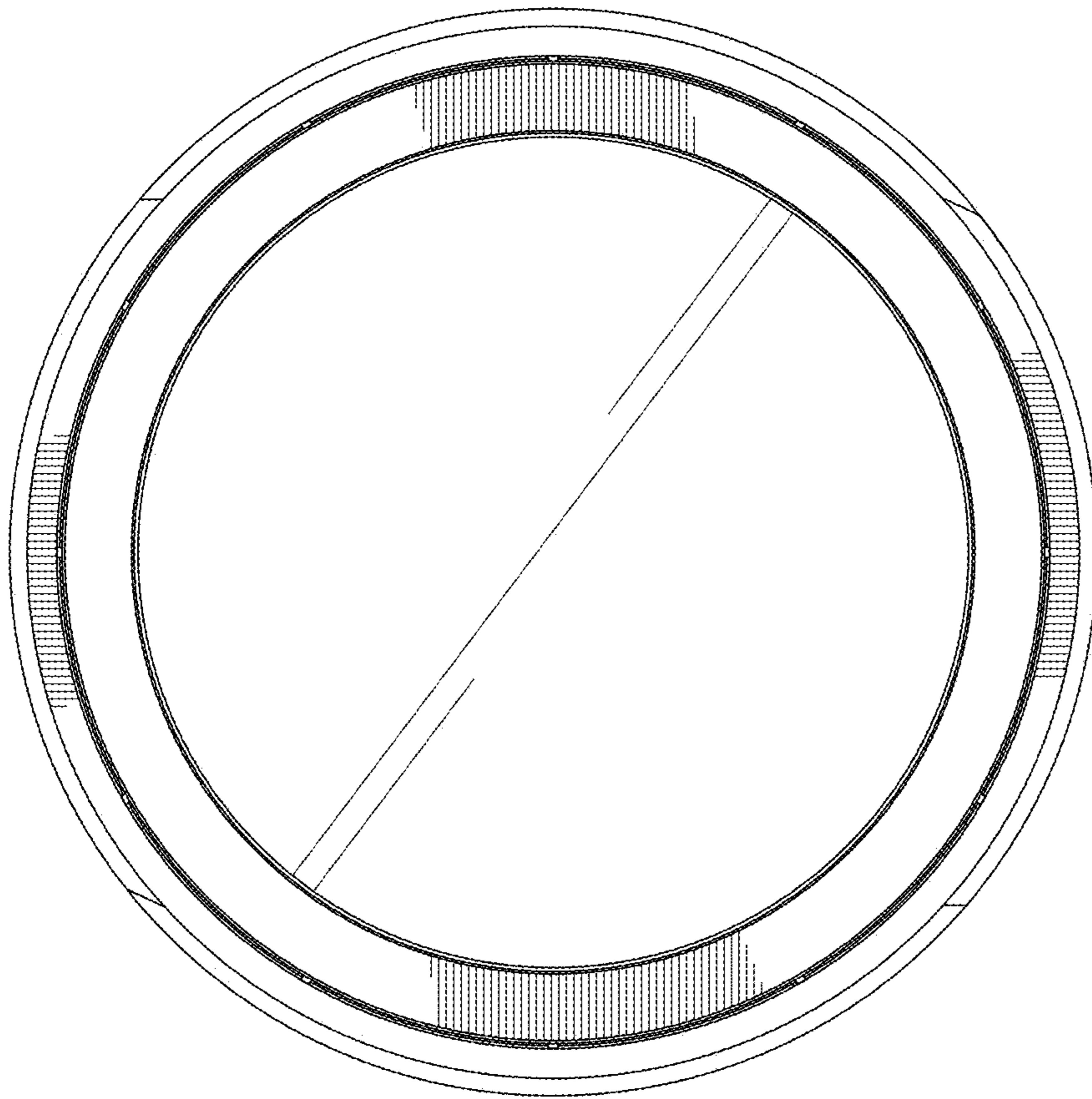
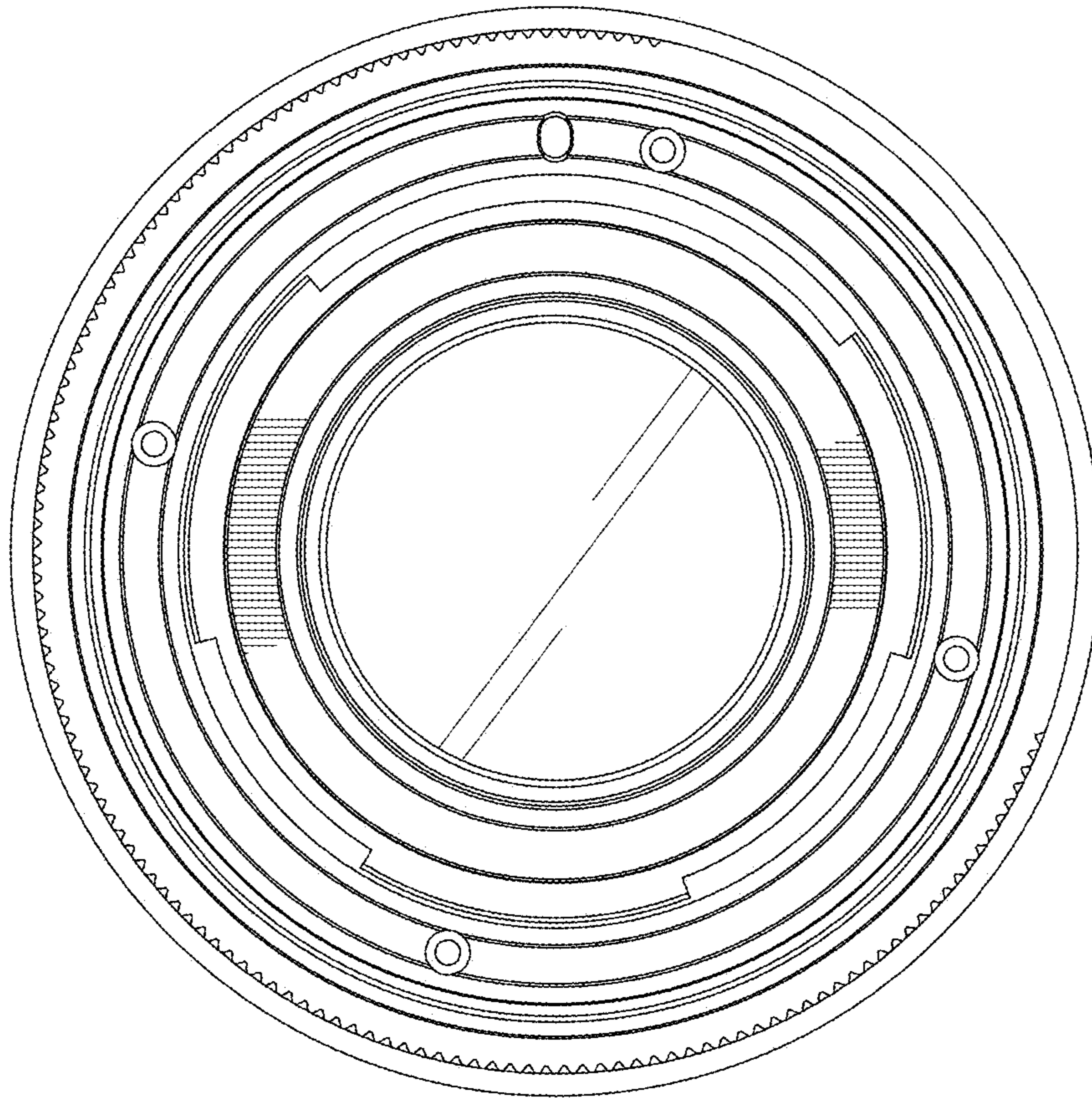


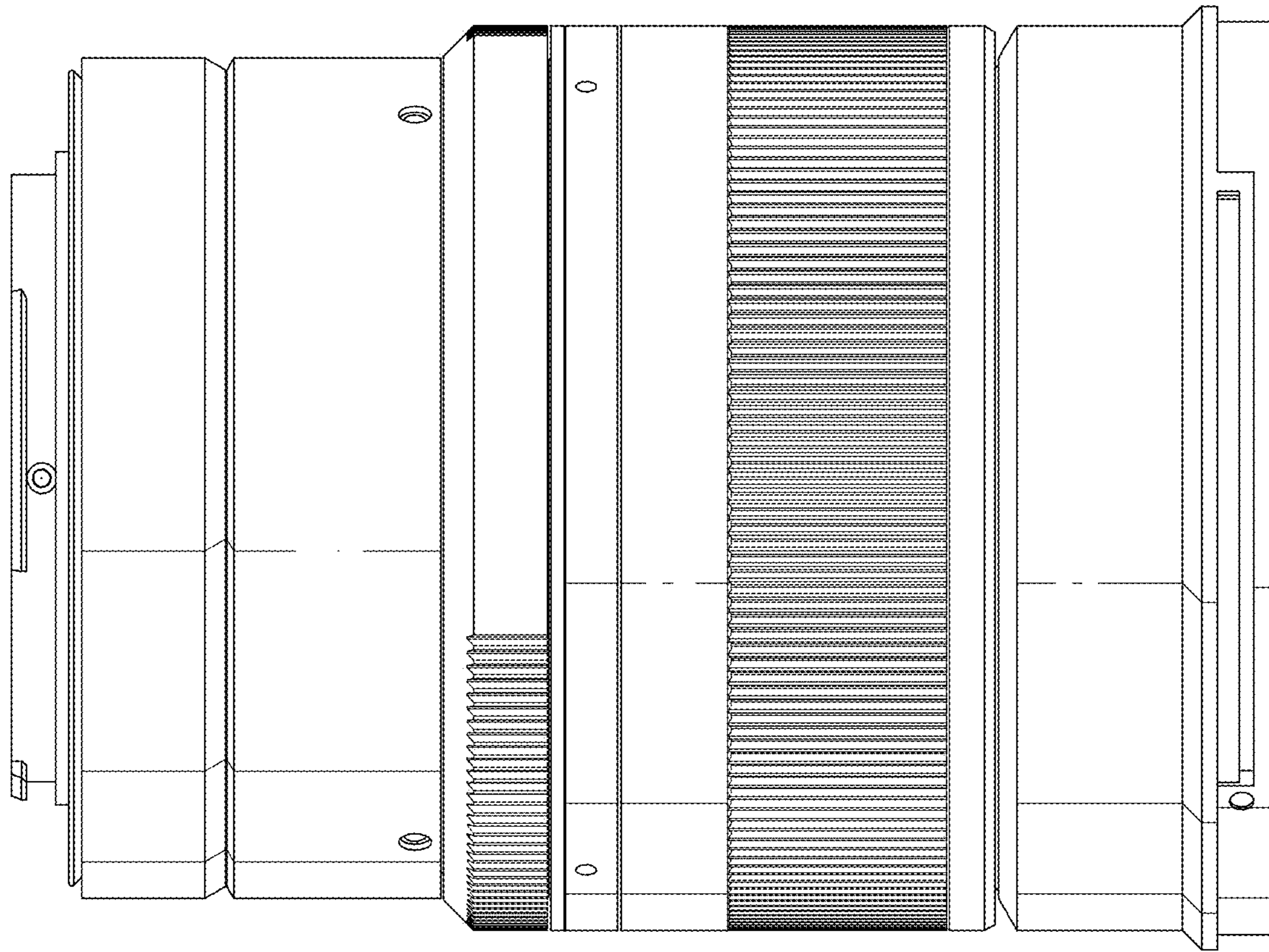
FIG. 1



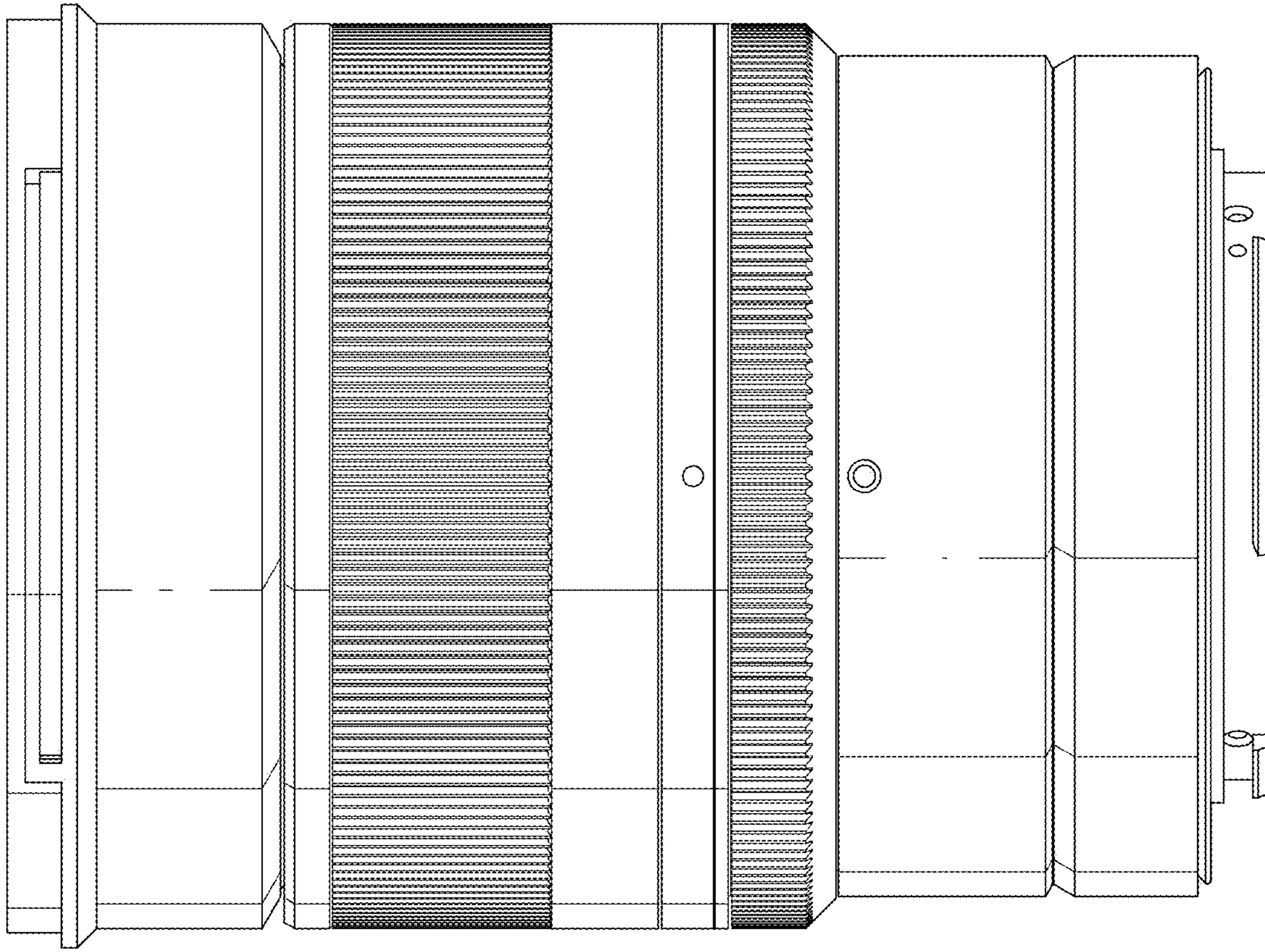
*FIG. 2*



*FIG. 3*



*FIG. 4*



*FIG. 5*

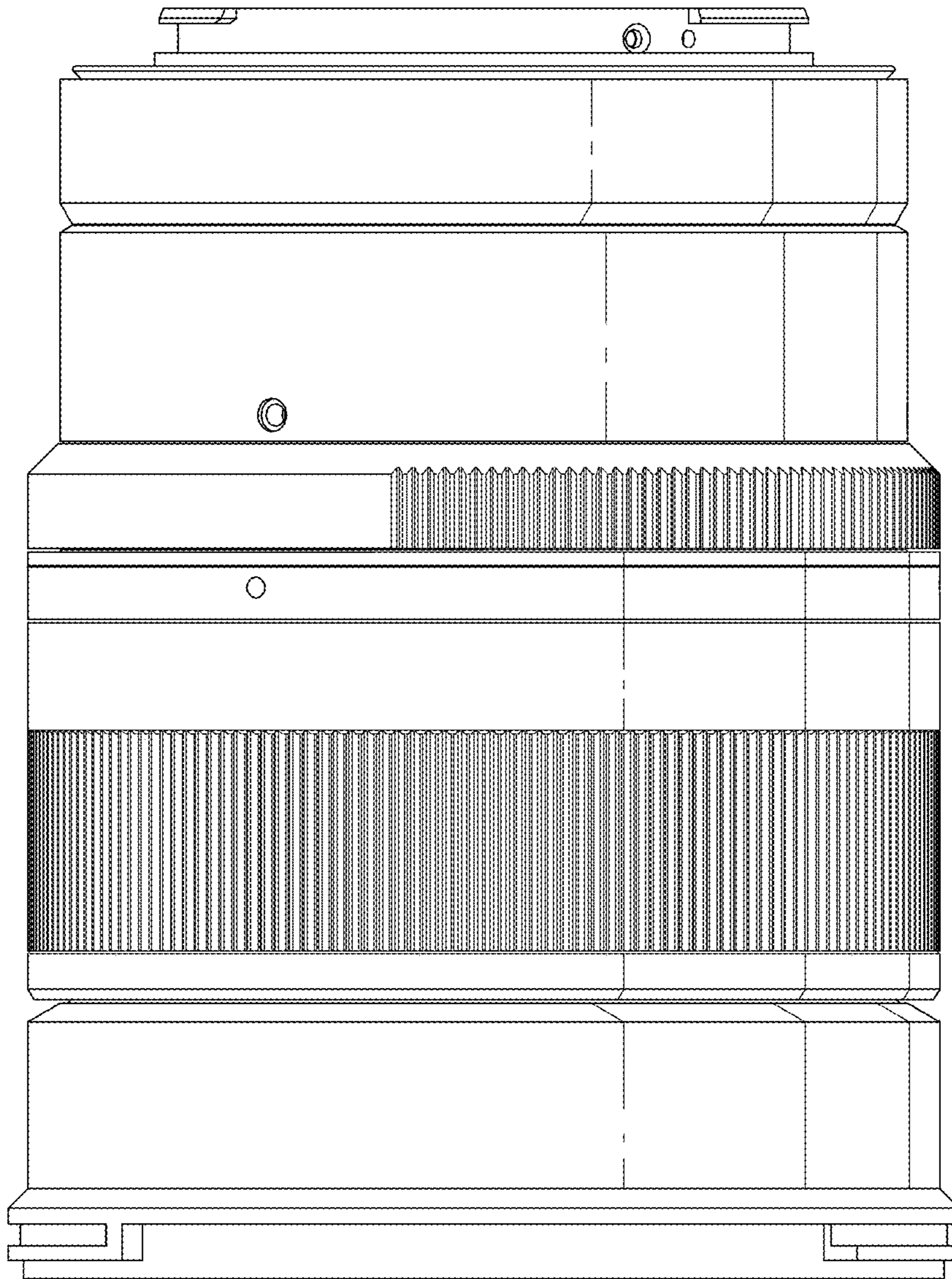


FIG. 6

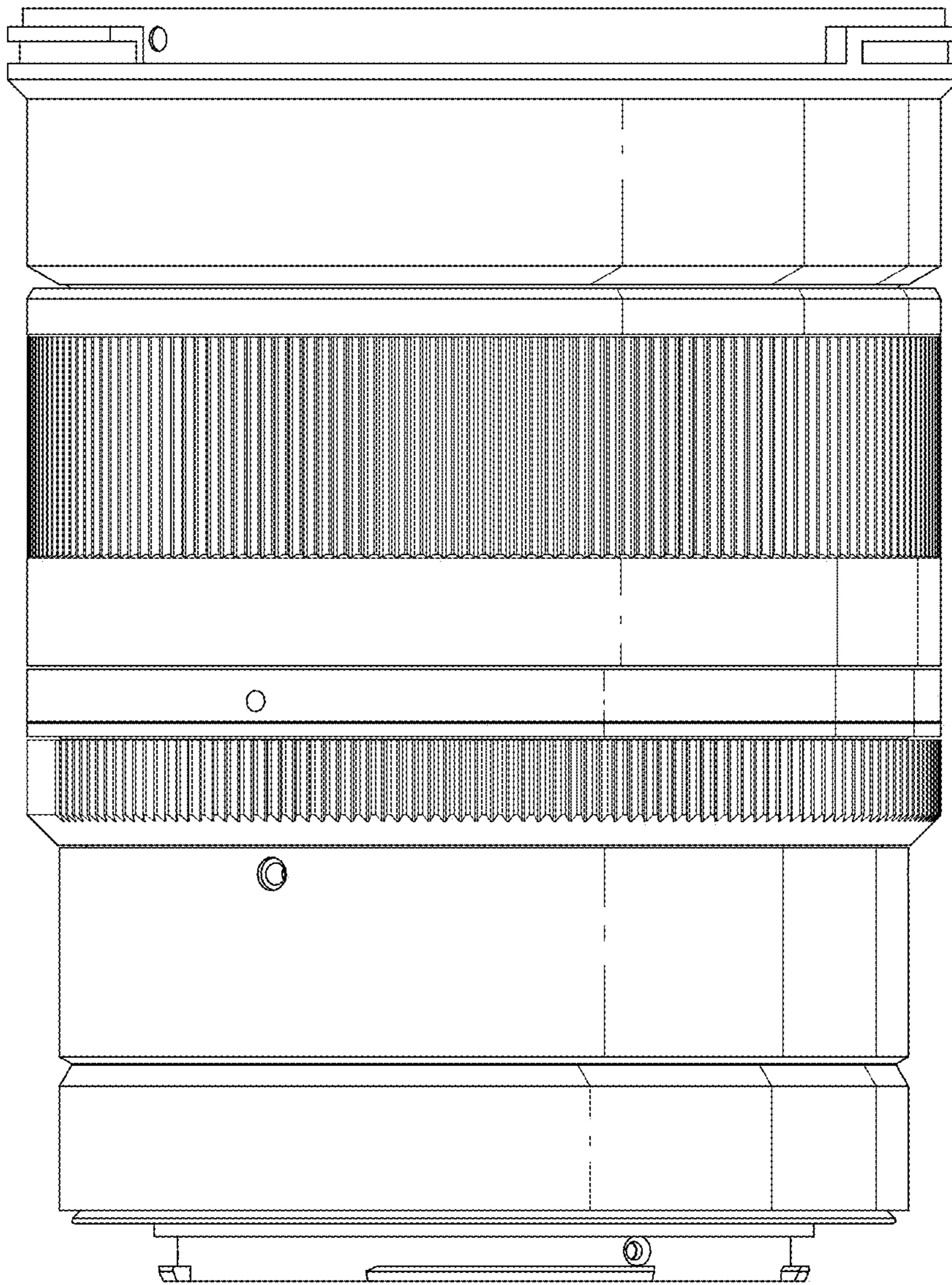
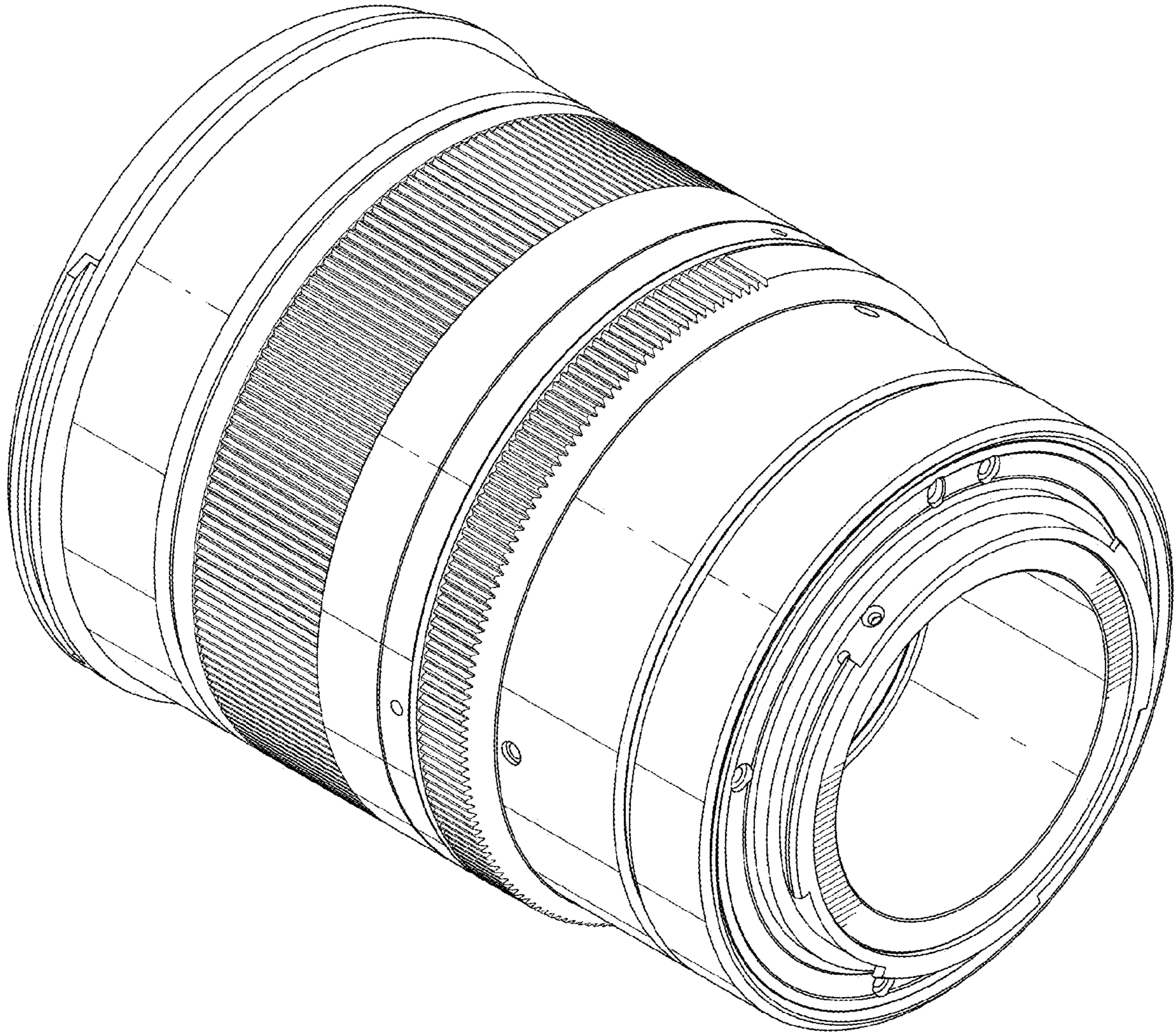


FIG. 7





*FIG. 8*