



US00D903738S

(12) **United States Design Patent**  
**Yalazoglu**

(10) **Patent No.:** **US D903,738 S**

(45) **Date of Patent:** **\*\* Dec. 1, 2020**

(54) **CAMERA DEVICE**

(71) Applicant: **Logitech Europe S.A.**, Lausanne (CH)

(72) Inventor: **Tanyel Yalazoglu**, Geneva (CH)

(73) Assignee: **Logitech Europe S.A.**, Lausanne (CH)

(\*\*) Term: **15 Years**

(21) Appl. No.: **29/699,433**

(22) Filed: **Jul. 25, 2019**

(51) **LOC (12) Cl.** ..... **16-01**

(52) **U.S. Cl.**

USPC ..... **D16/218**; D16/202

(58) **Field of Classification Search**

USPC ..... D16/200, 202–206, 218, 219, 242;  
348/143, 148, 151, 373–376; 396/419,  
396/427, 535, 539–541

CPC ..... G03B 17/02; G03B 19/04; G03B 17/56;  
G03B 17/04; G03B 15/03; H04N 5/2251;  
H04N 5/2252; H04N 5/2253; H04N  
5/2254; H04N 7/181; H04N 7/183; H04N  
7/18; G08B 13/1963; G08B 13/19619;  
G08B 13/19632; F16M 11/04; F16M  
13/00

See application file for complete search history.

(56) **References Cited**

**U.S. PATENT DOCUMENTS**

D320,028 S \* 9/1991 Sedighzadeh ..... D16/203  
D333,582 S \* 3/1993 Sedighzadeh ..... D6/513

D394,274 S \* 5/1998 Suzuki ..... D16/202  
D471,927 S \* 3/2003 Kim ..... D14/240  
D509,842 S \* 9/2005 Ou ..... D16/202  
D516,105 S \* 2/2006 Bradley ..... D16/202  
D545,858 S \* 7/2007 Li ..... D16/202  
D558,811 S \* 1/2008 Higgins ..... D16/203  
D700,231 S \* 2/2014 Berkmortel ..... D16/203  
D832,907 S \* 11/2018 Jeong ..... D16/203  
D858,604 S \* 9/2019 Clement ..... D16/203

\* cited by examiner

*Primary Examiner* — Ramzi S Almatrahi

(74) *Attorney, Agent, or Firm* — Kilpatrick Townsend & Stockton LLP

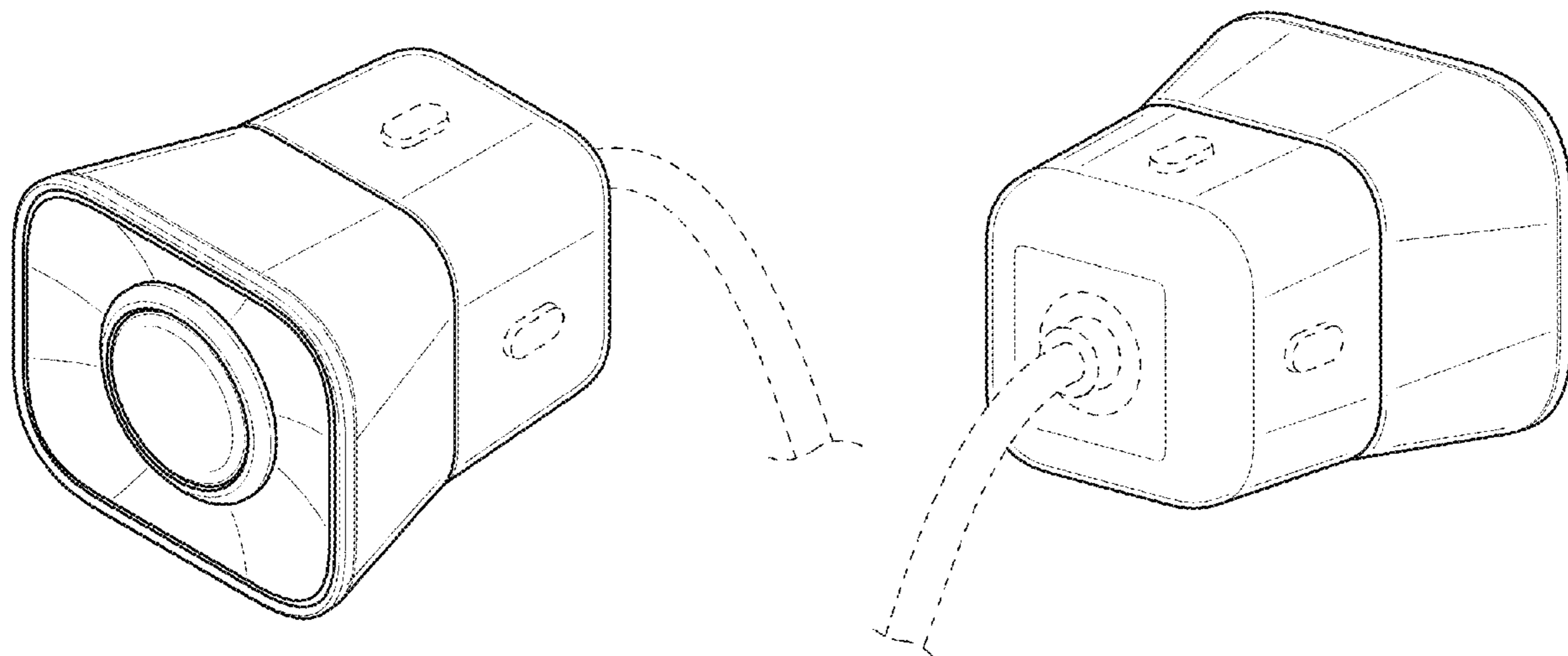
(57) **CLAIM**

The ornamental design for a camera device, as shown and described.

**DESCRIPTION**

FIG. 1 is a front, right side perspective view of a camera device showing my new design;  
FIG. 2 is a rear, left side perspective view thereof;  
FIG. 3 is a front elevational view thereof;  
FIG. 4 is a rear elevational view thereof;  
FIG. 5 is a top plan view thereof;  
FIG. 6 is a bottom plan view thereof;  
FIG. 7 is a left side elevational view thereof; and,  
FIG. 8 is a right side elevational view thereof.  
The broken lines depict portions of the camera device in which the design is embodied that form no part of the claimed design.

**1 Claim, 4 Drawing Sheets**



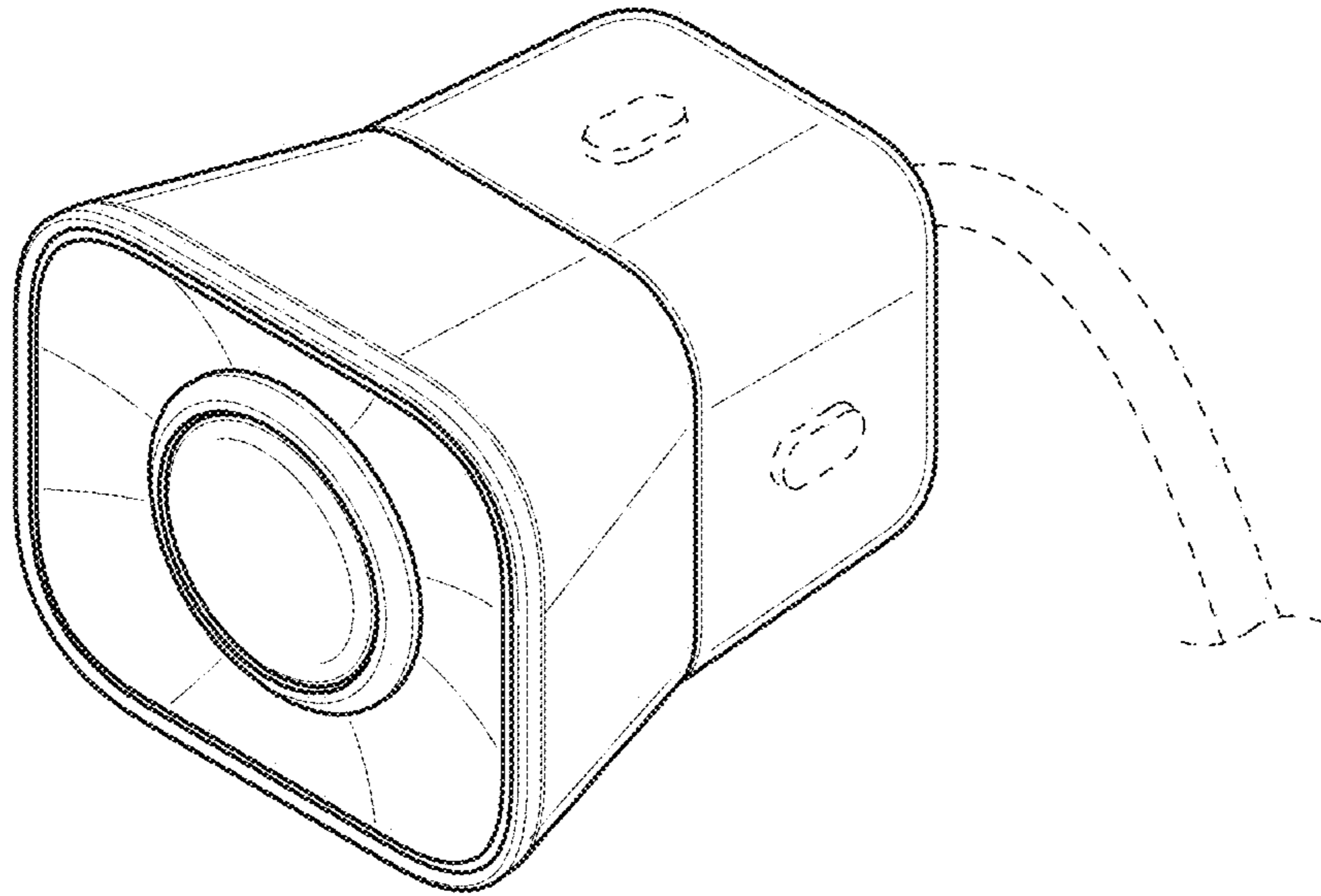


FIG. 1

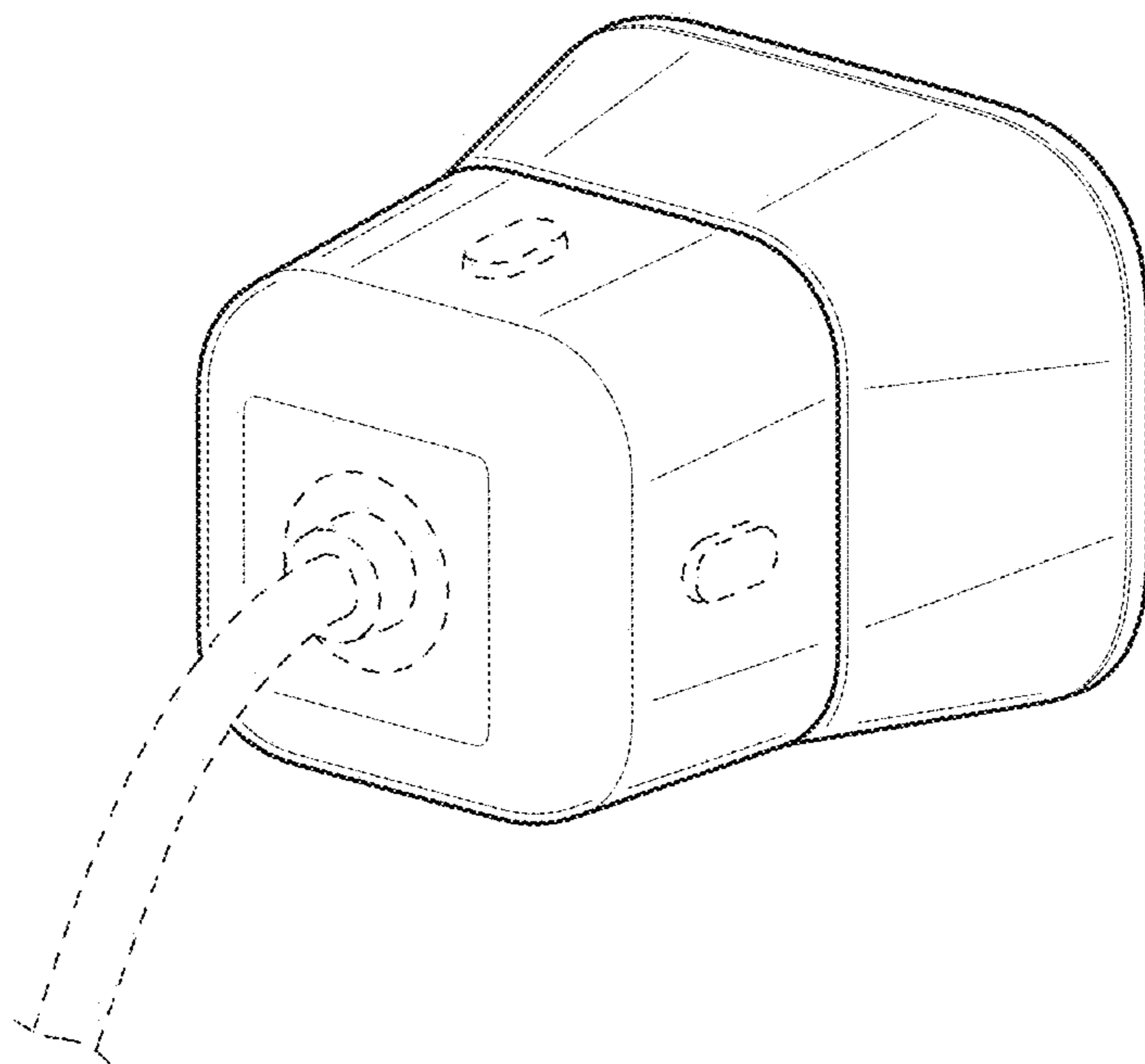


FIG. 2

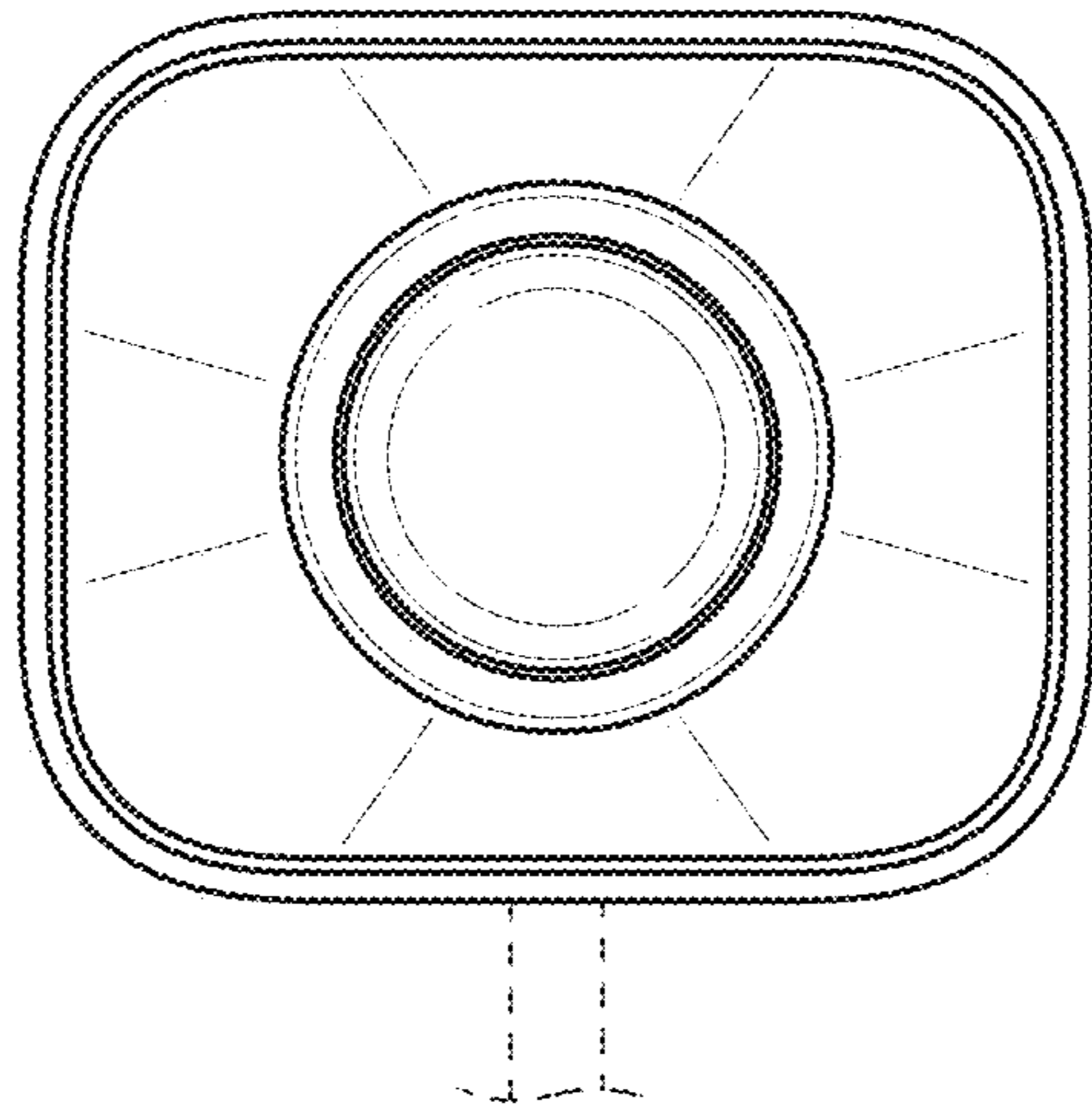


FIG. 3

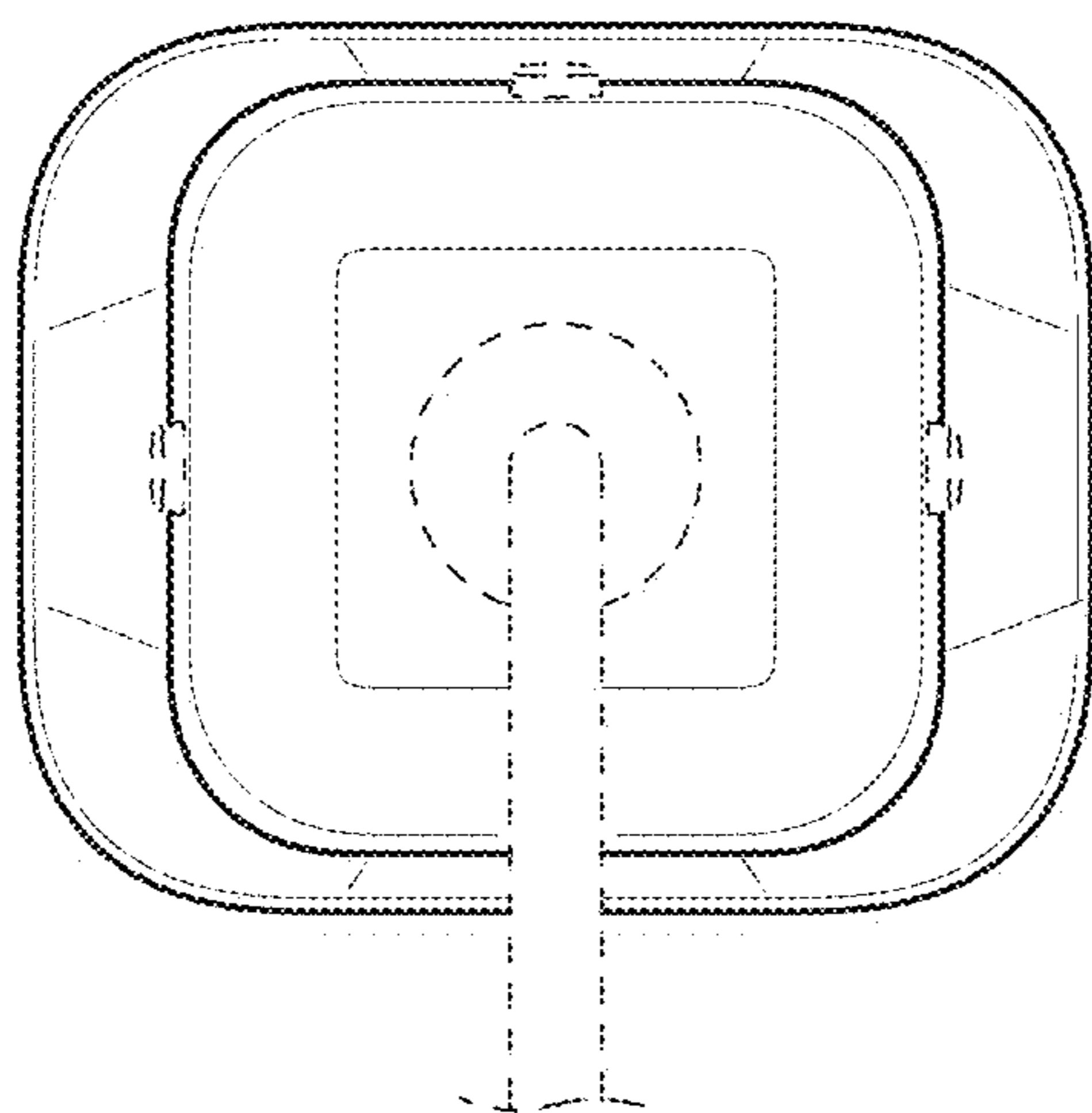


FIG. 4

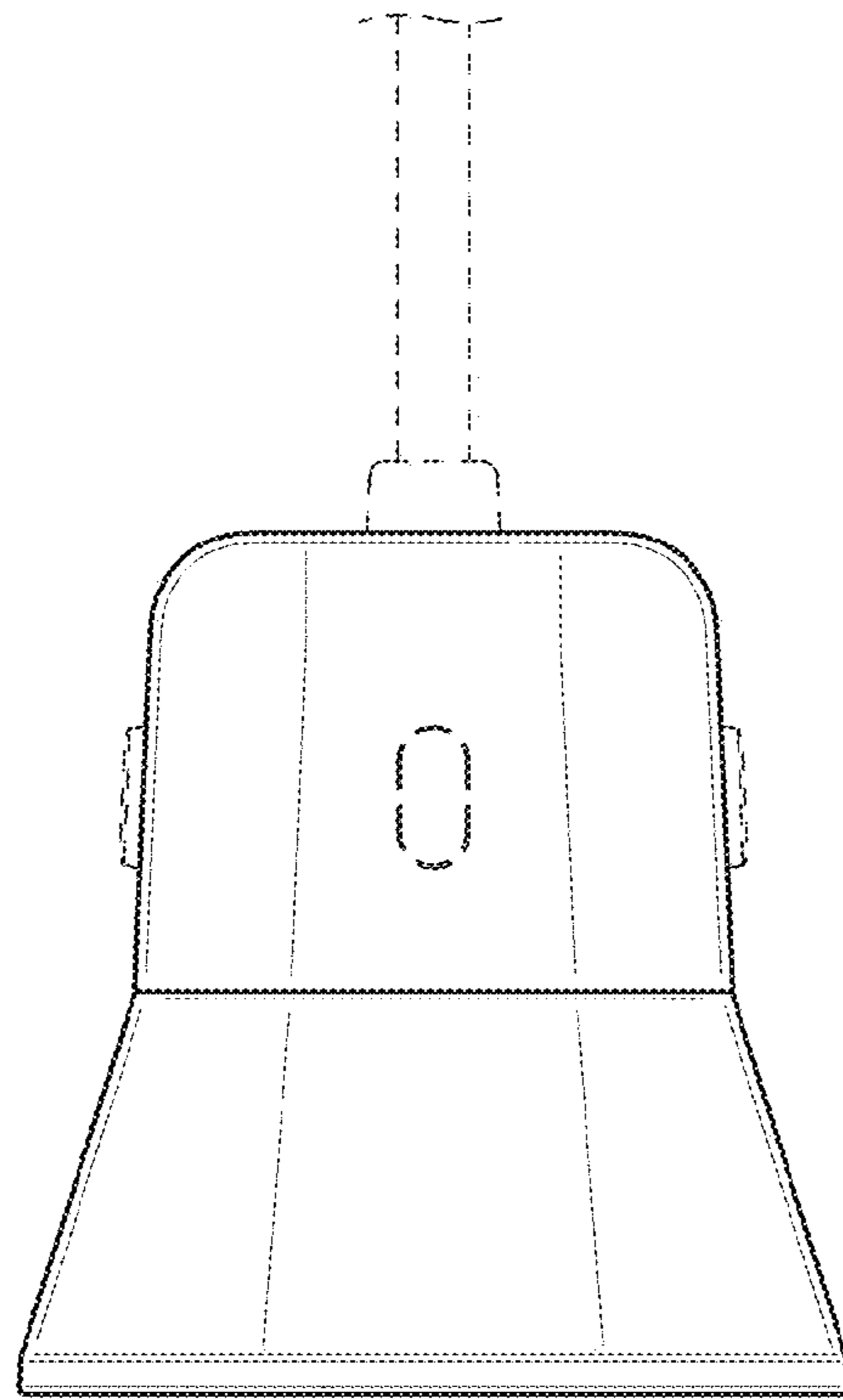


FIG. 5

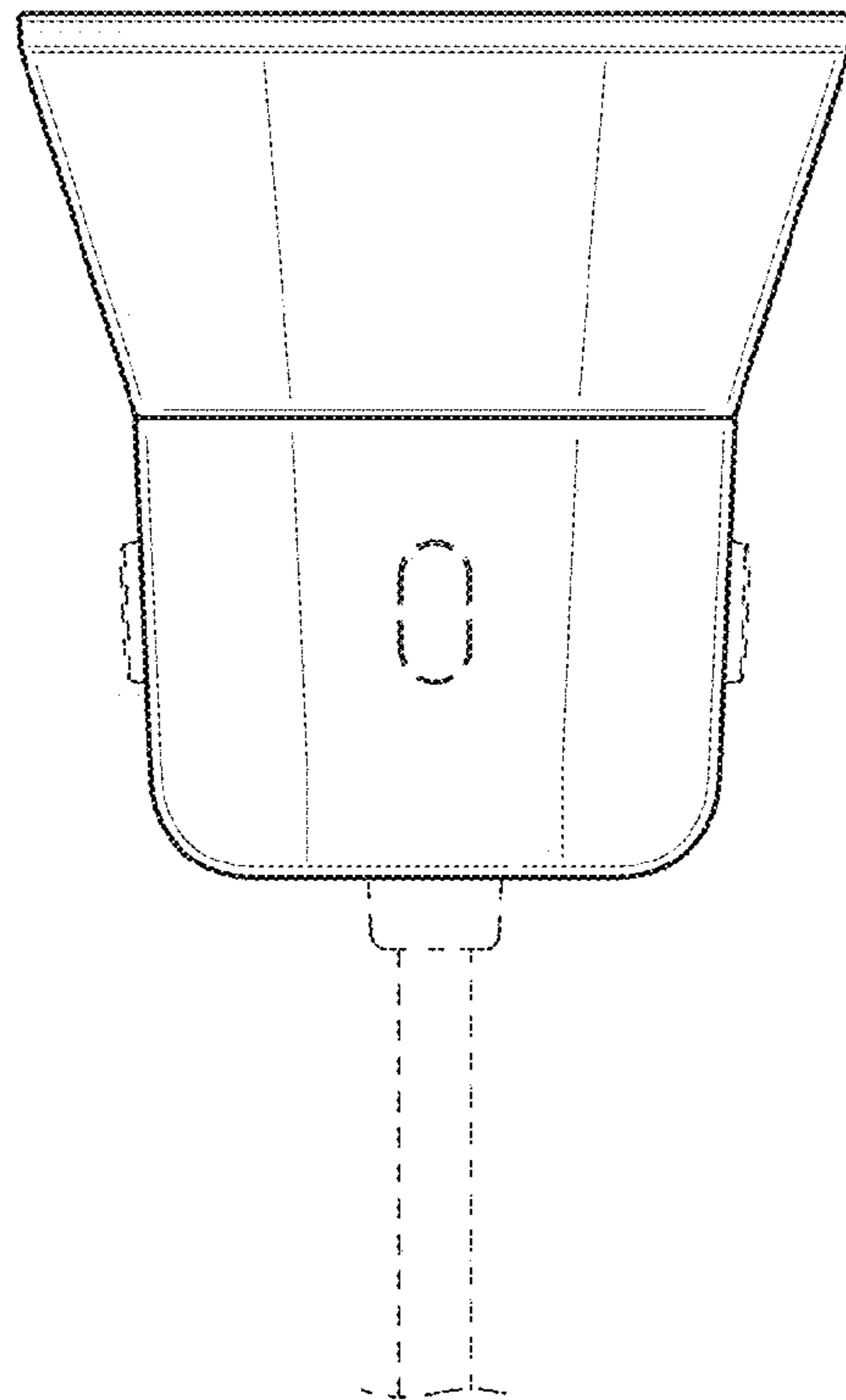


FIG. 6

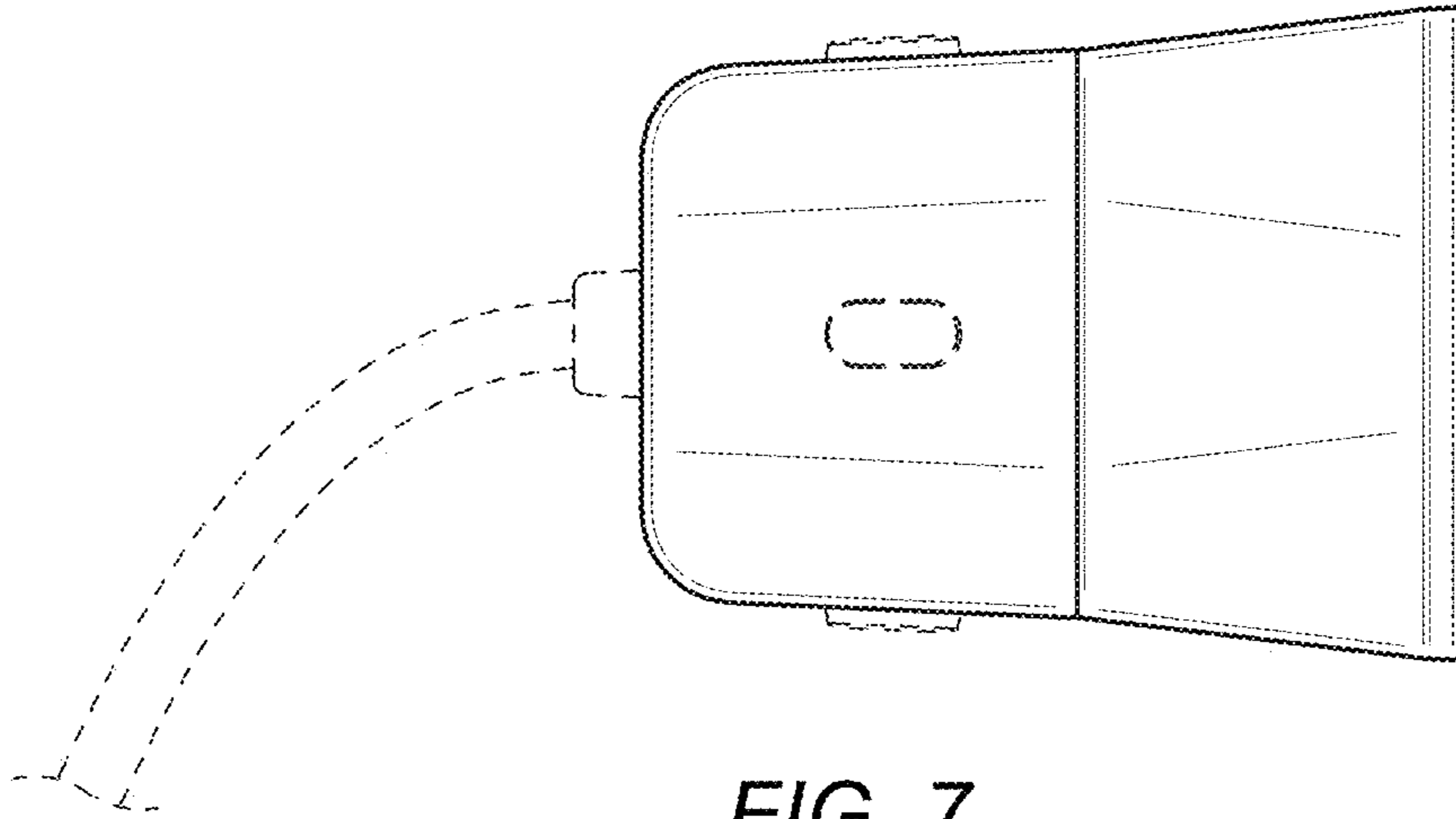


FIG. 7

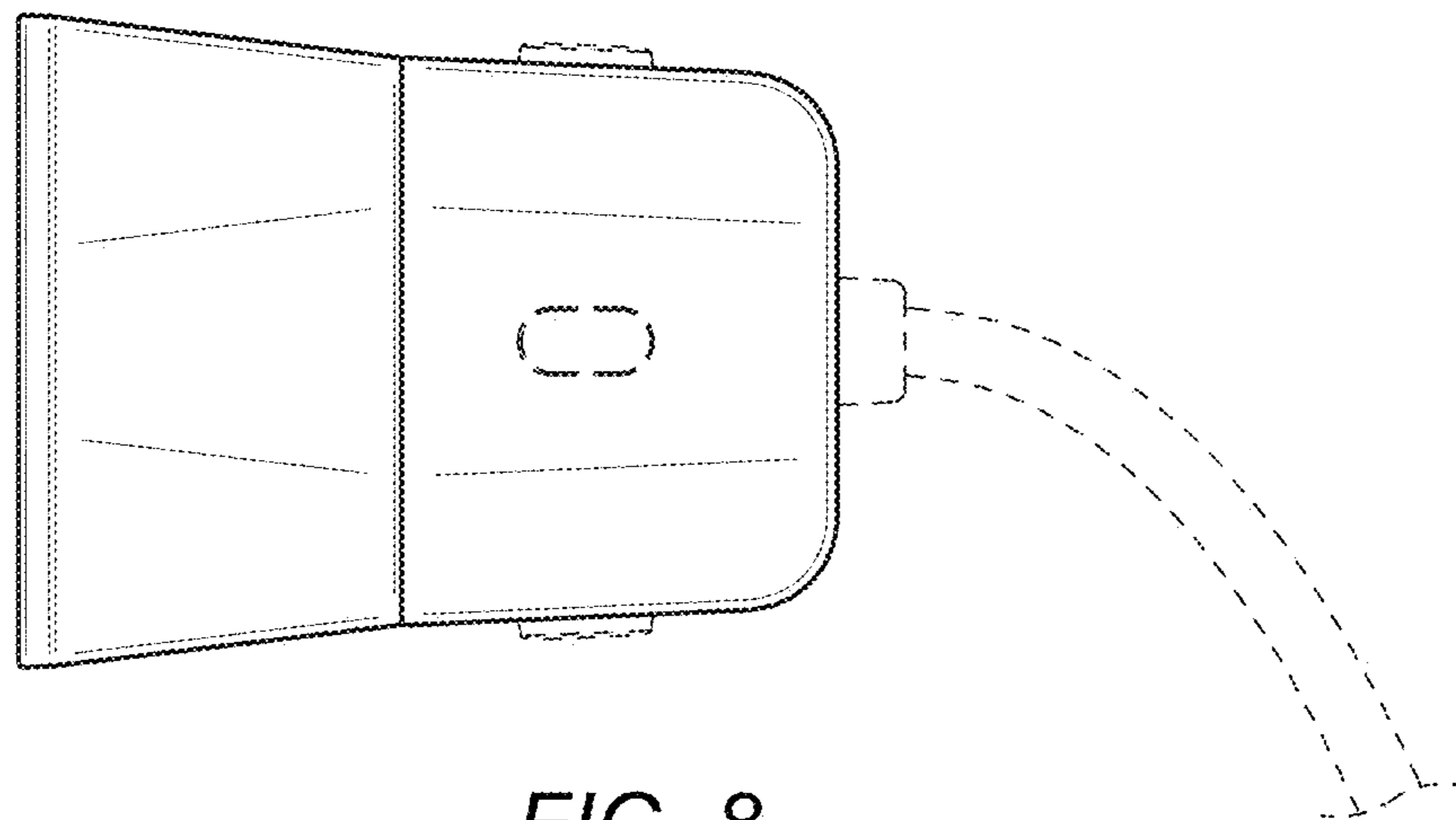


FIG. 8

UNITED STATES PATENT AND TRADEMARK OFFICE  
**CERTIFICATE OF CORRECTION**

PATENT NO. : D903,738 S  
APPLICATION NO. : 29/699433  
DATED : December 1, 2020  
INVENTOR(S) : Tanyel Yalazoglu et al.

Page 1 of 1

It is certified that error appears in the above-identified patent and that said Letters Patent is hereby corrected as shown below:

On the Title Page

Item (72) Inventor: Add -- Bengt Gunnar Brummer, Lausanne (CH); Nicholas Jinkinson, St-Sulpice (CH) --

Signed and Sealed this  
Thirteenth Day of July, 2021



Drew Hirshfeld  
*Performing the Functions and Duties of the  
Under Secretary of Commerce for Intellectual Property and  
Director of the United States Patent and Trademark Office*