



US00D903737S

(12) **United States Design Patent**
Han

(10) **Patent No.:** **US D903,737 S**

(45) **Date of Patent:** **** Dec. 1, 2020**

(54) **SMART CAMERA**

(71) Applicant: **Hangzhou Vision Insight Technology Co., Ltd., Zhejiang (CN)**

(72) Inventor: **Fang Han, Zhejiang (CN)**

(73) Assignee: **Hangzhou Vision Insight Technology Co., Ltd., Hangzhou (CN)**

(**) Term: **15 Years**

(21) Appl. No.: **29/675,872**

(22) Filed: **Jan. 6, 2019**

(51) **LOC (12) Cl.** **16-01**

(52) **U.S. Cl.**
USPC **D16/203; D16/202**

(58) **Field of Classification Search**
USPC D16/200–220, 131, 132, 237, 242, 239,
D16/250, 235, 130, 134, 136, 238;
D14/417, 138 C, 240, 248, 203.1, 203.3,
D14/203.7, 218, 207, 440, 402, 454, 407,
D14/408, 480.3, 480.1, 483; D12/187;
D10/31, 104.1, 50, 65, 74, 70, 118.2, 66;
D26/118, 113

CPC . G02B 7/02; G02B 7/021; G02B 7/04; G02B
7/14; G02B 7/003; G02B 7/008; G02B
13/06; G03B 17/00; G03B 17/02; G03B
17/56; G03B 17/04; G03B 17/14; G03B
17/08; G03B 15/03; G03B 15/06; H04N
1/00981; H04N 5/2251; H04N 5/2252;
H04N 5/2253; H04N 5/2254; H04N
5/23238; H04N 7/00; H04N 13/239;
H04N 2101/00; F16M 13/00

See application file for complete search history.

(56) **References Cited**

U.S. PATENT DOCUMENTS

D561,703 S * 2/2008 Shimokawa D13/168
D627,815 S * 11/2010 Oba D16/202
D638,394 S * 5/2011 Richards D14/155
D667,382 S * 9/2012 Cosentino D13/168

D740,871 S * 10/2015 Moon D16/203
D746,350 S * 12/2015 Li D16/203
D746,889 S * 1/2016 Moon D16/203
D776,740 S * 1/2017 Okawa D16/203
D798,360 S * 9/2017 Jeong D16/203

(Continued)

FOREIGN PATENT DOCUMENTS

CN 304253946 * 8/2017
CN 304952503 * 12/2018
CN 305017985 * 1/2019

OTHER PUBLICATIONS

Blurams Home Lite by Wynbee, published Aug. 5, 2019 [online],
[retrieved Jun. 8, 2020], Available from Internet, URL: <https://www.amazon.in/Home-Security-Detection-Included-Compatible/dp/B07N6YS6KW>.*

Primary Examiner — Dana K Weiland

Assistant Examiner — Mary Claire Ramirez

(74) *Attorney, Agent, or Firm* — Wayne & Ken, LLC;
Tony Hom

(57) **CLAIM**

The ornamental design for a smart camera, as shown and described.

DESCRIPTION

FIG. 1 is a perspective view of a smart camera showing my new design;

FIG. 2 is another perspective view thereof;

FIG. 3 is a front elevation view thereof;

FIG. 4 is a back elevation view thereof;

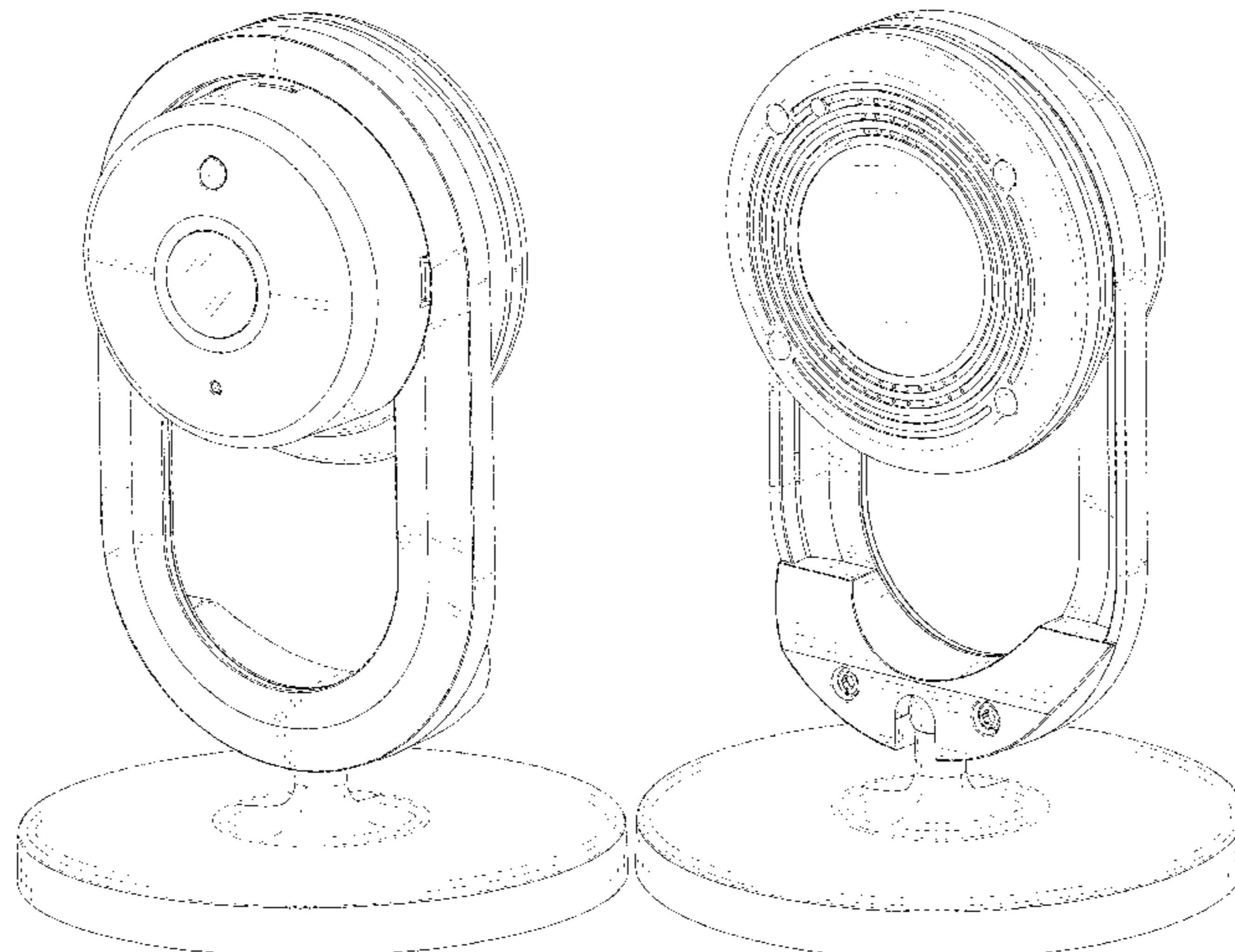
FIG. 5 is a right side view thereof;

FIG. 6 is a top plan view thereof; and,

FIG. 7 is a bottom plan view thereof.

The left side view is omitted as it is a mirror image of the right side view. The broken lines in the drawings depict portions of the smart camera and form no part of the claimed design.

1 Claim, 7 Drawing Sheets



(56)

References Cited

U.S. PATENT DOCUMENTS

D798,365	S *	9/2017	Glazer	D16/242
D801,406	S *	10/2017	Jeong	D16/203
D814,544	S *	4/2018	Moon	D16/203
D815,177	S *	4/2018	Jeong	D16/203
D816,142	S *	4/2018	Song	D16/203
D825,637	S *	8/2018	Moon	D16/203
D828,426	S *	9/2018	Li	D16/202
D853,464	S *	7/2019	Moon	D16/219
D857,776	S *	8/2019	Li	D16/202
D860,848	S *	9/2019	Park	D10/118.2
D882,667	S *	4/2020	Ortiz	D16/219
D892,195	S *	8/2020	Duffy	H04N 5/2252
					D16/219
D894,774	S *	9/2020	Yu	D10/118.2
D894,775	S *	9/2020	Yu	D10/118.2
2007/0222888	A1 *	9/2007	Xiao	H04N 5/2252
					348/373
2017/0176842	A1 *	6/2017	Jung	F16M 11/10
2018/0091775	A1 *	3/2018	Jung	H04N 7/18
2019/0320108	A1 *	10/2019	Kim	H04N 5/23203

* cited by examiner

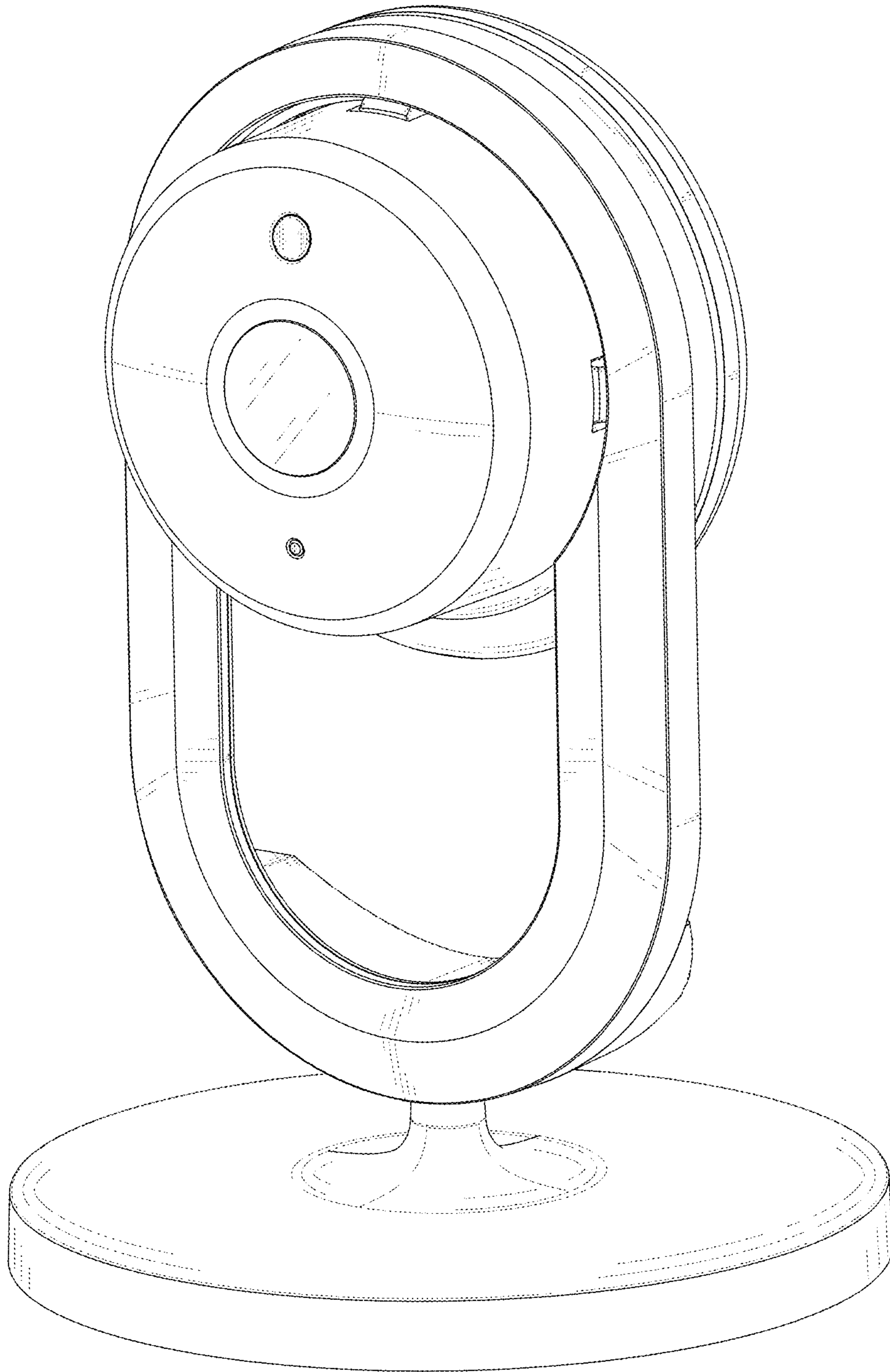


FIG. 1

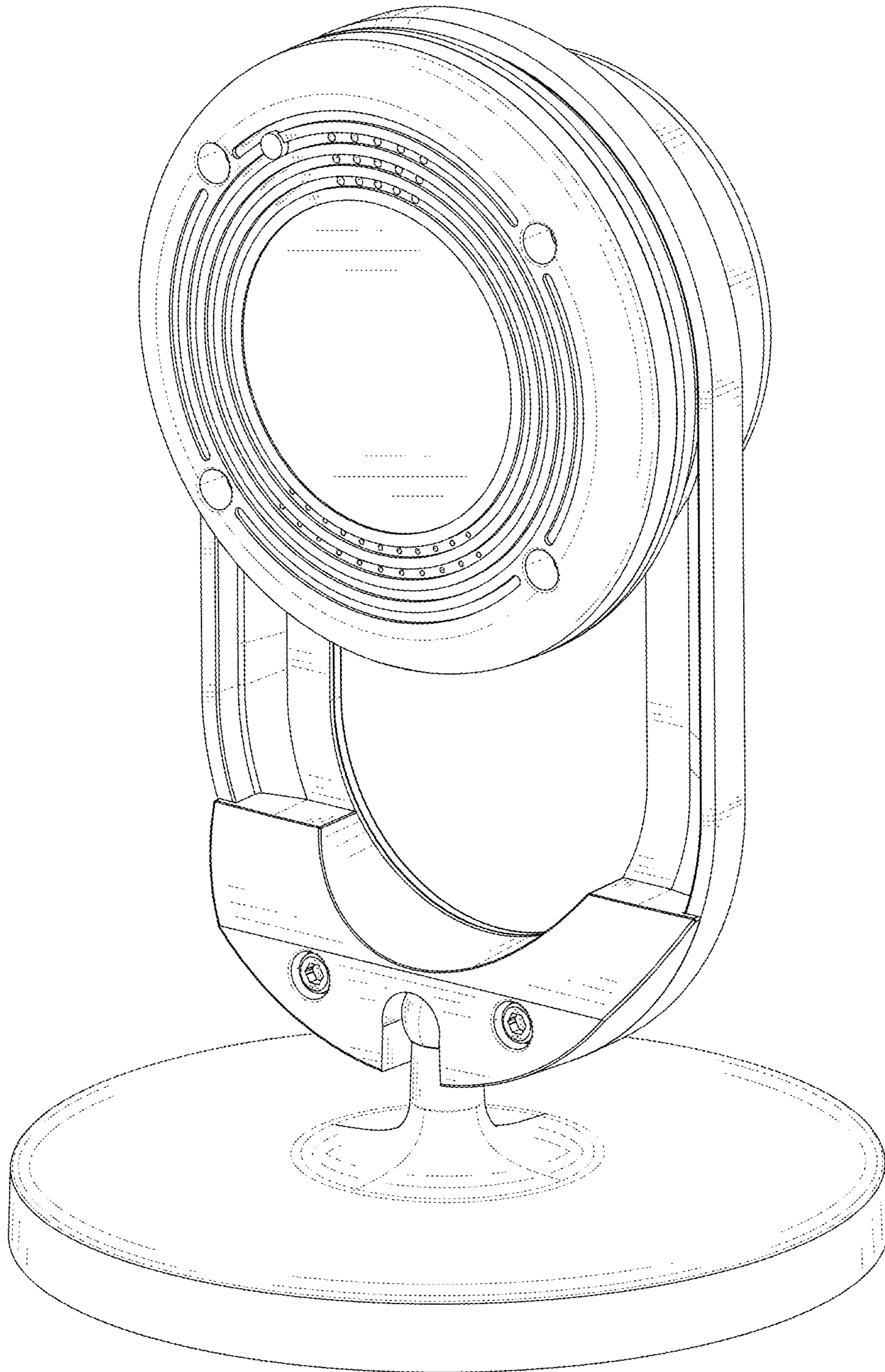


FIG. 2

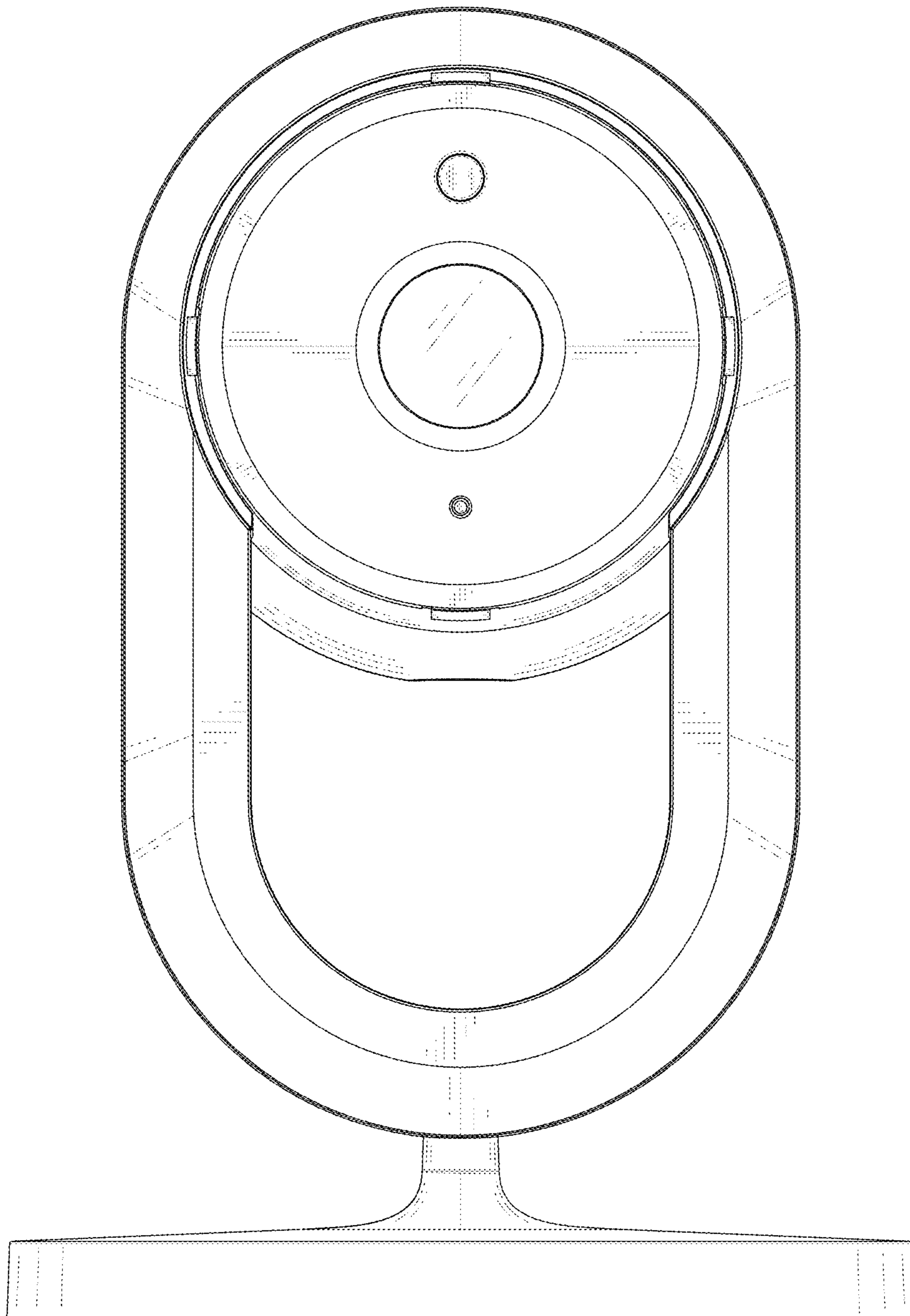


FIG. 3

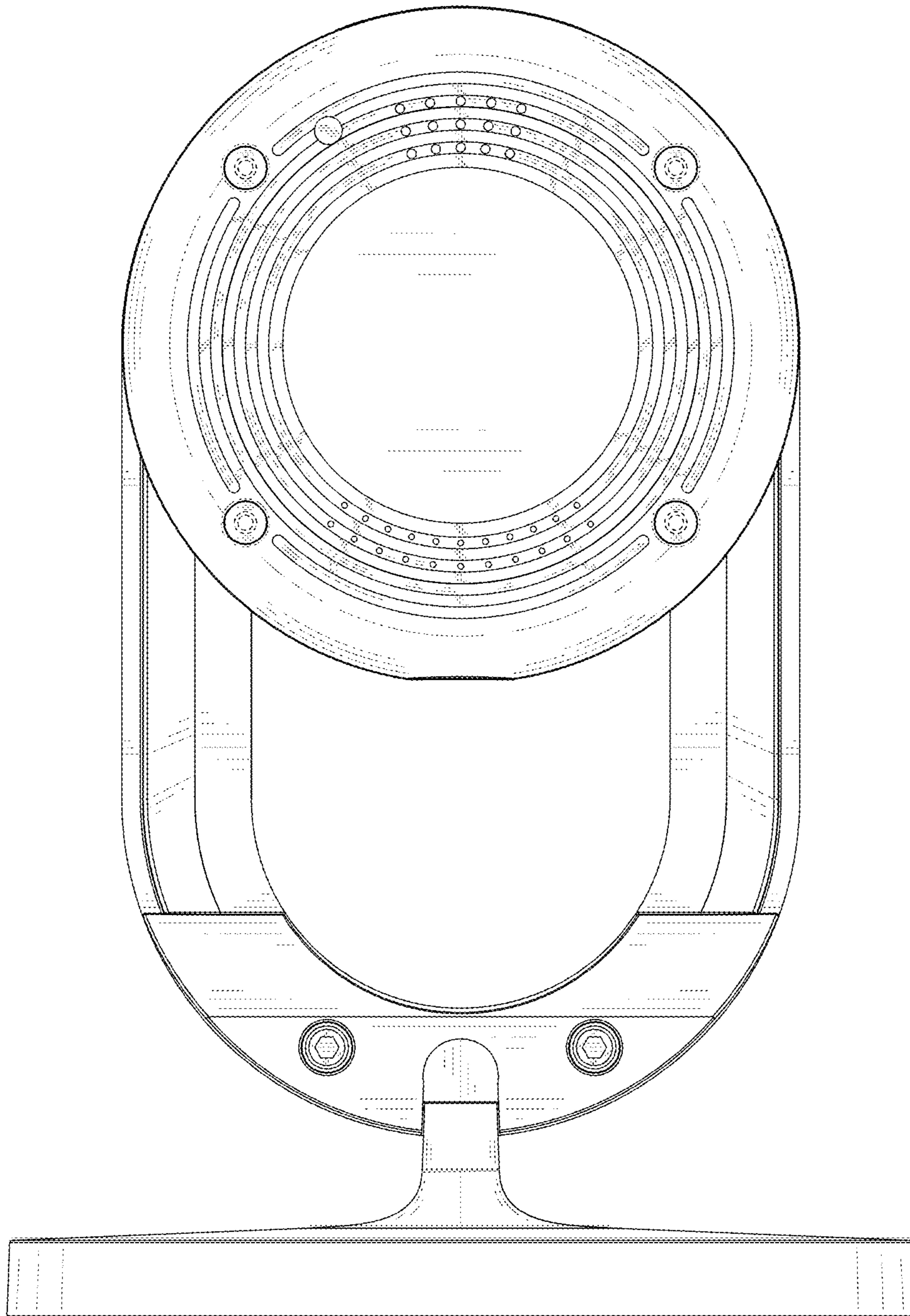


FIG. 4

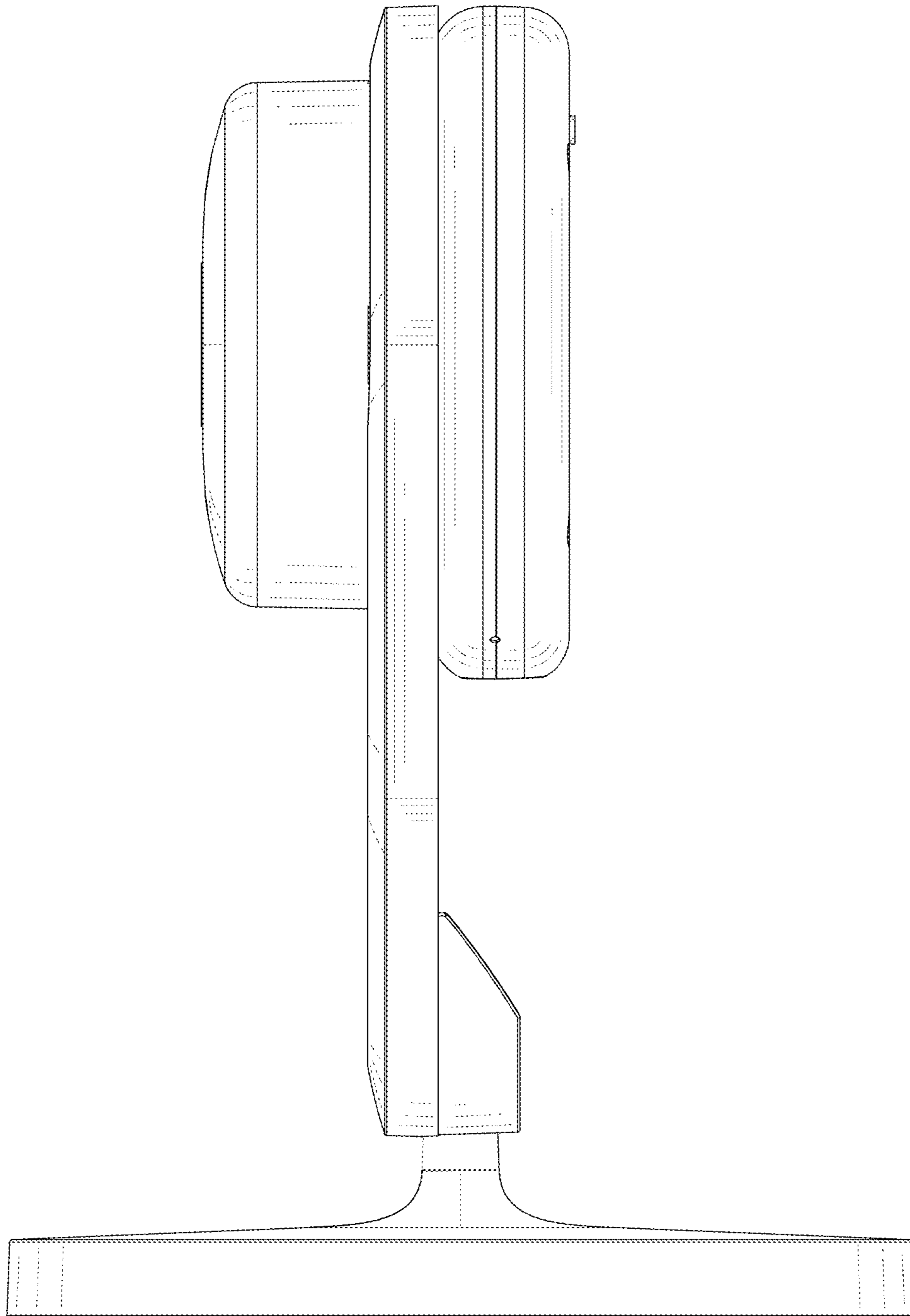


FIG. 5

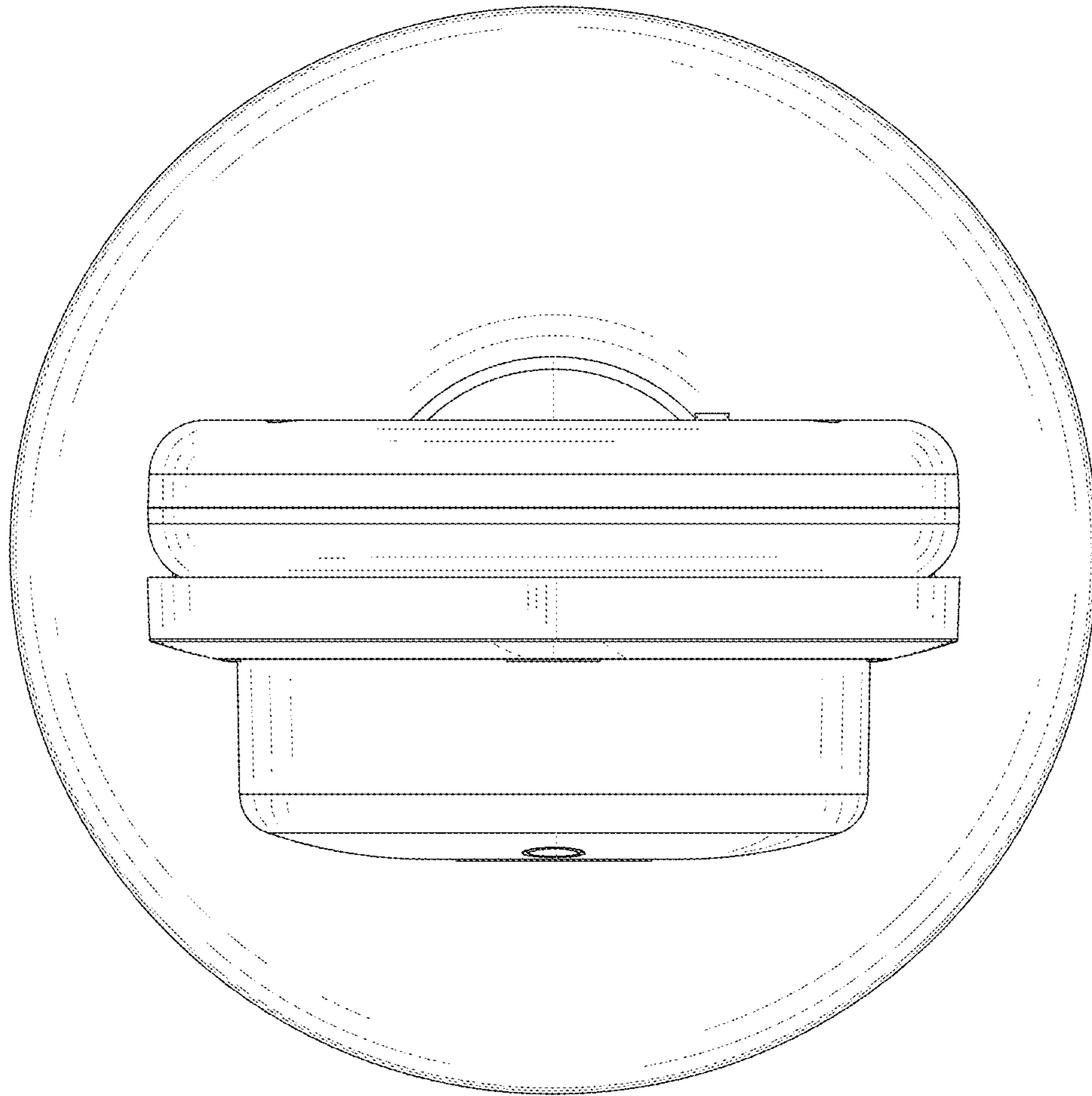


FIG. 6

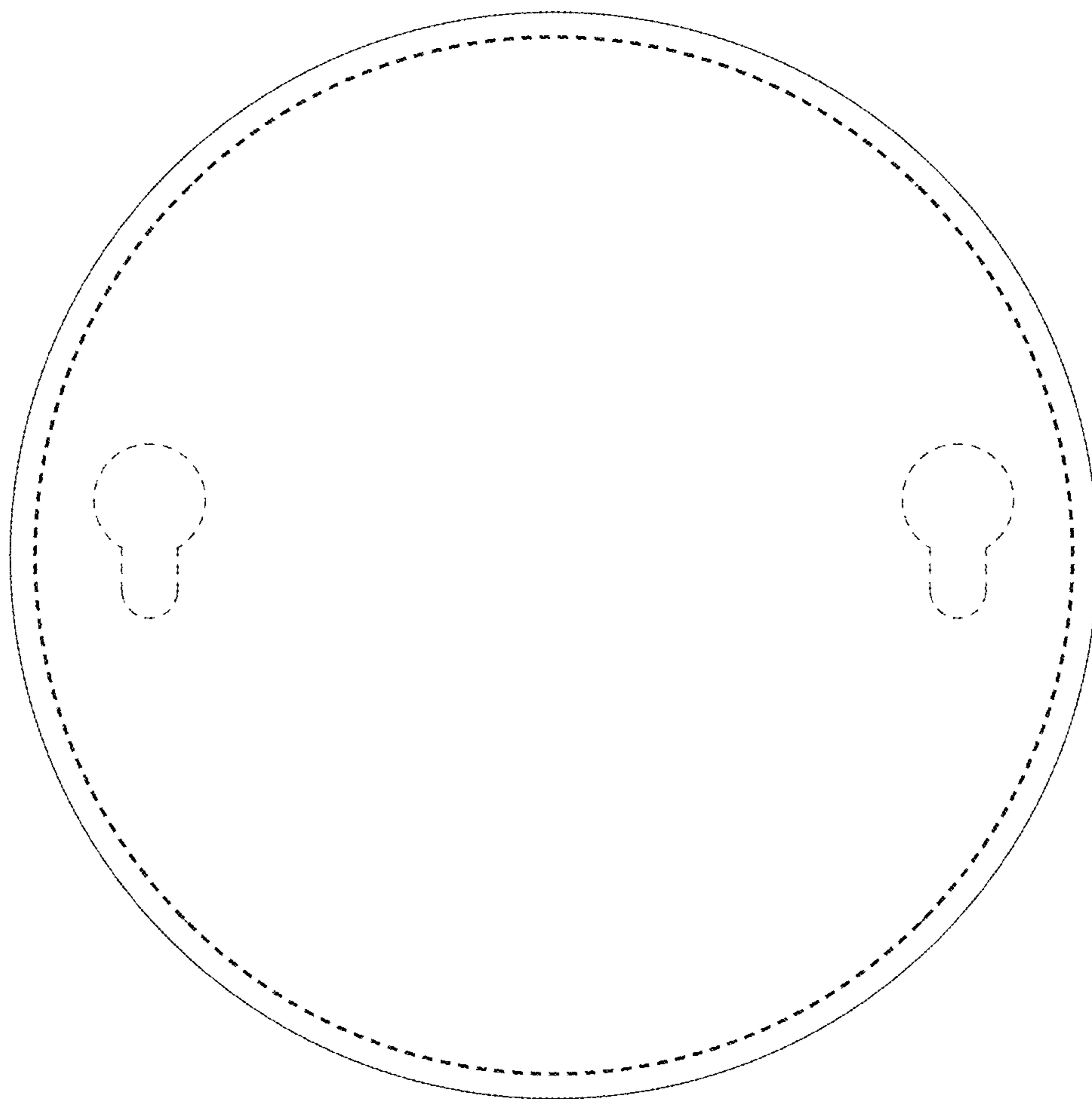


FIG. 7