



US00D903735S

(12) **United States Design Patent**
Chen

(10) **Patent No.:** **US D903,735 S**

(45) **Date of Patent:** **** Dec. 1, 2020**

- (54) **NIGHT VISION TELESCOPE**
- (71) Applicant: **Changing International Company Limited**, Kowloon (HK)
- (72) Inventor: **Han-Che Chen**, Taipei (TW)
- (73) Assignee: **Changing International Company Limited**, Kowloon (HK)
- (**) Term: **15 Years**
- (21) Appl. No.: **29/671,027**
- (22) Filed: **Nov. 21, 2018**
- (51) **LOC (12) Cl.** **16-06**
- (52) **U.S. Cl.**
USPC **D16/132**
- (58) **Field of Classification Search**
USPC D16/130, 131, 132, 136; D13/133;
D22/108, 109
CPC ... G01C 3/00; G01C 3/02; G01C 3/04; G01C
3/06; G01C 3/08; G01C 3/085; G01C
3/10; G01C 3/12; G01C 3/16; G01C
3/18; G01C 3/20
See application file for complete search history.

D595,754 S *	7/2009	Hamilton	D16/132
D611,848 S *	3/2010	Liu	D10/70
D613,813 S *	4/2010	Larsson	D22/109
D646,705 S *	10/2011	Wu	D16/132
D676,886 S *	2/2013	Hoshi	D16/132
D816,795 S *	5/2018	Vogl	D22/109
D817,376 S *	5/2018	Vogl	D16/132
D823,147 S *	7/2018	Bainter	D10/70
D845,795 S *	4/2019	Kim	D10/70
D852,311 S *	6/2019	Honda	D22/109
D872,220 S *	1/2020	Vogl	D22/109
D895,457 S *	9/2020	Zhang	D10/70

* cited by examiner

Primary Examiner — Mark A Goodwin

Assistant Examiner — Benjamin M Weeks

(74) *Attorney, Agent, or Firm* — Muncy, Geissler, Olds & Lowe, P.C.

(57) **CLAIM**

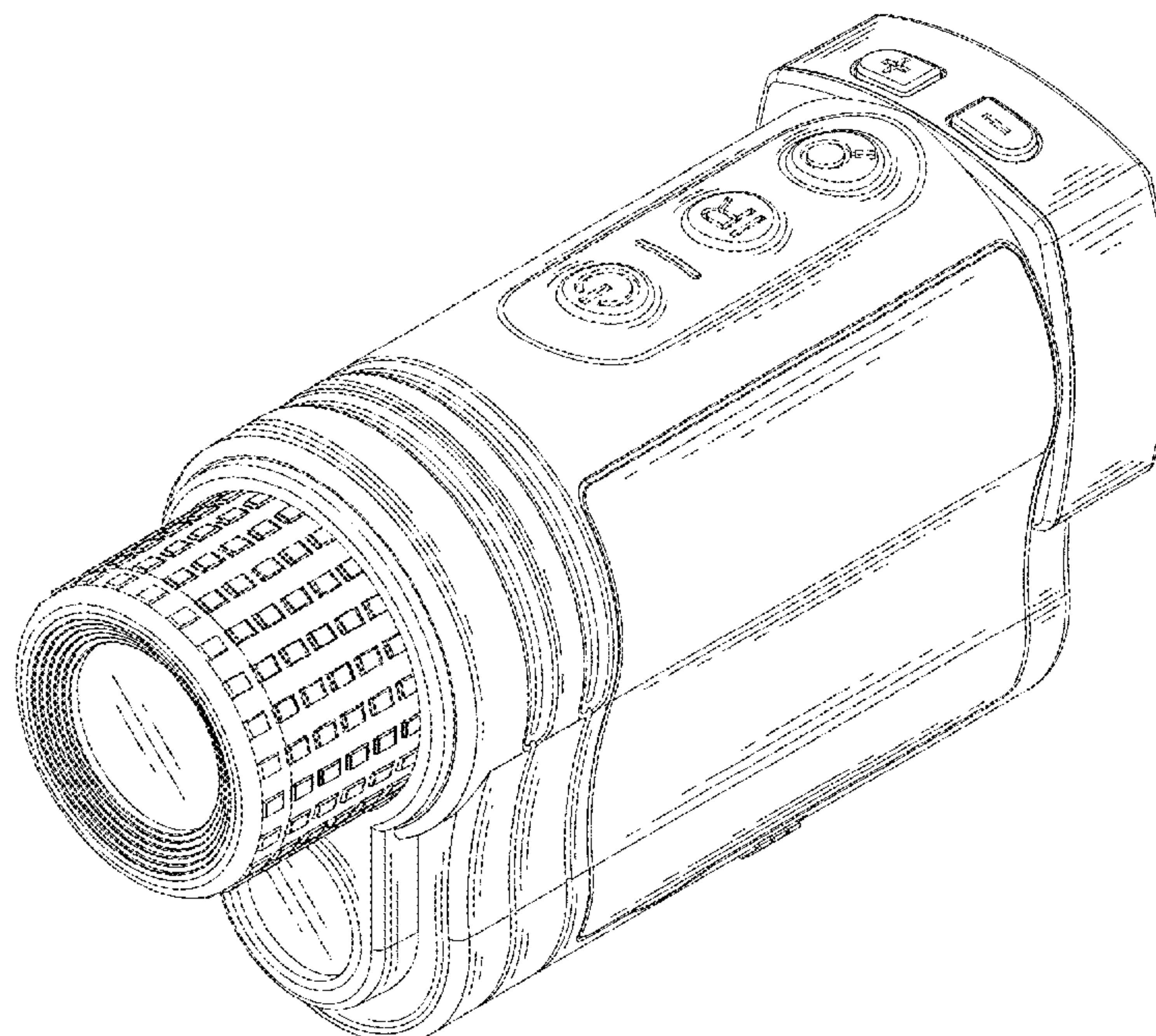
The ornamental design for a night vision telescope, as shown and described.

DESCRIPTION

FIG. 1 is a front, top, and right perspective view of a night vision telescope, showing my new design;
 FIG. 2 is a front plan view thereof,
 FIG. 3 is a rear plan view thereof;
 FIG. 4 is a left plan view thereof;
 FIG. 5 is a right plan view thereof;
 FIG. 6 is a top plan view thereof;
 FIG. 7 is a bottom plan view thereof; and,
 FIG. 8 is a rear, bottom, and left perspective view thereof.
 The broken lines in the drawings depict portions of the night vision telescope that form no part of the claimed design.

1 Claim, 8 Drawing Sheets

- (56) **References Cited**
U.S. PATENT DOCUMENTS
- D413,130 S * 8/1999 Bryant D16/132
- 6,862,084 B2 * 3/2005 Nagata G01C 3/08
356/5.01
- 7,053,992 B2 * 5/2006 LaBelle G01C 3/08
356/5.01
- D554,547 S * 11/2007 Lin D10/70
- D579,805 S * 11/2008 Chen D10/70
- 7,508,497 B2 * 3/2009 LaBelle G01C 3/08
356/5.01



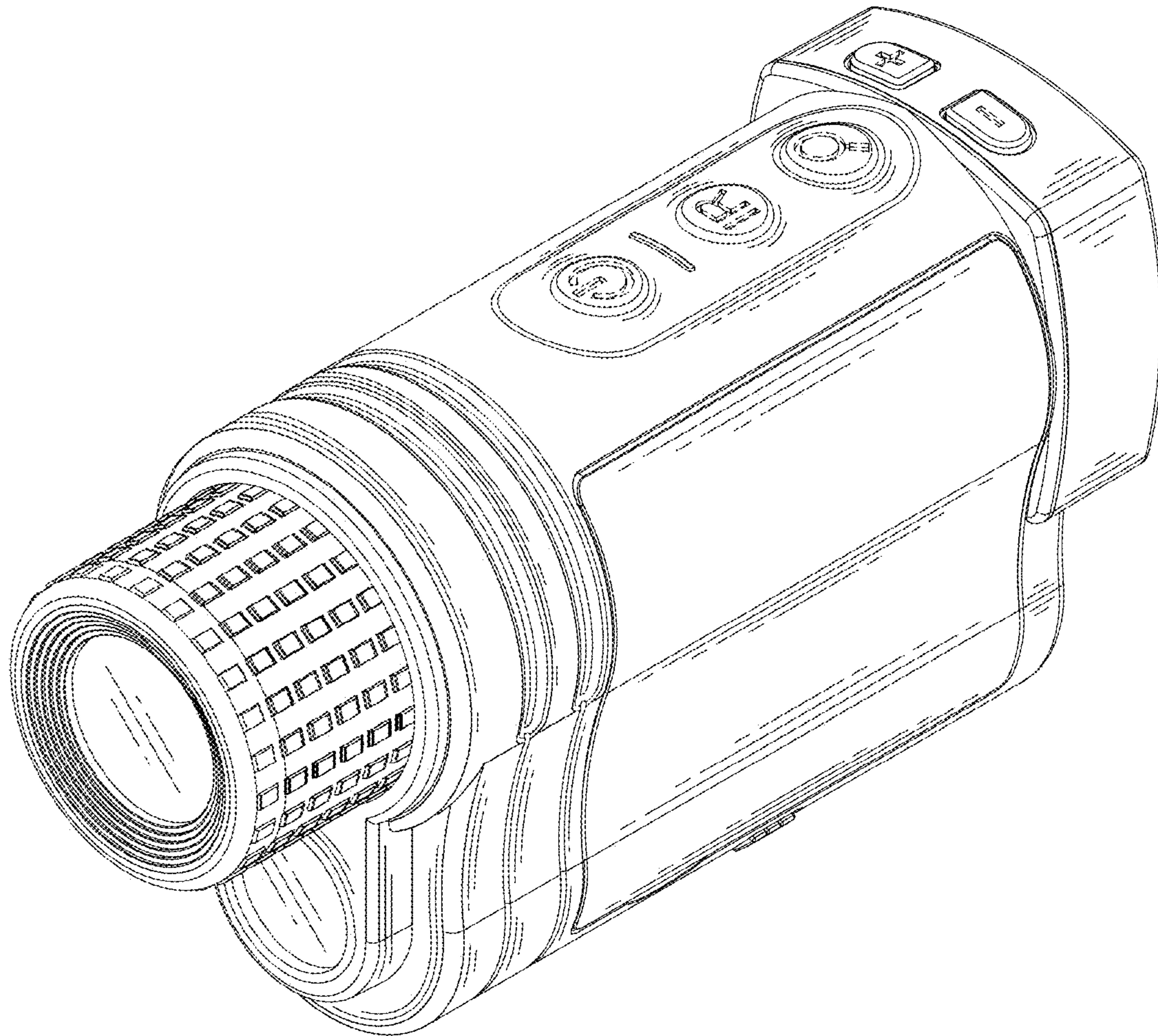


FIG. 1

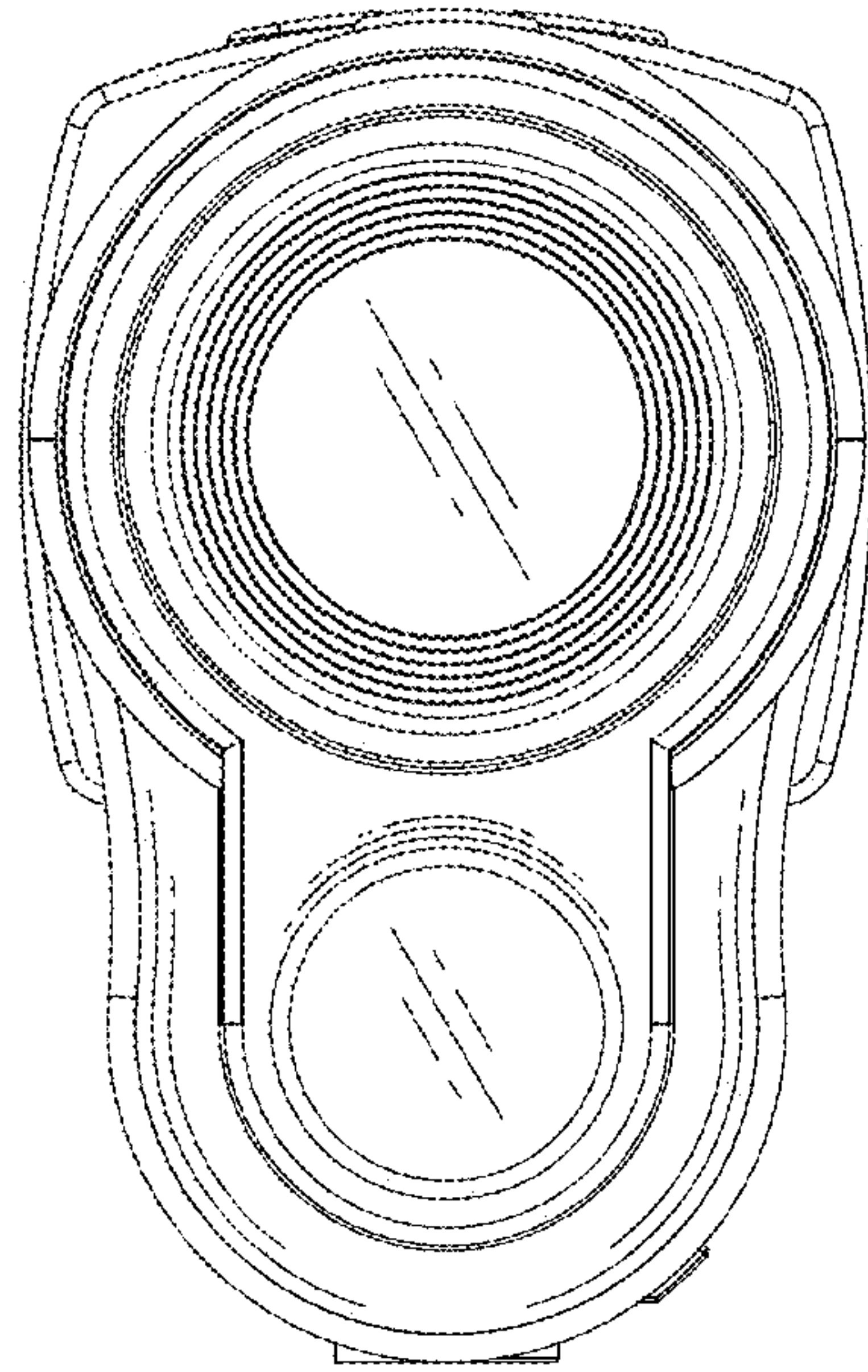


FIG. 2

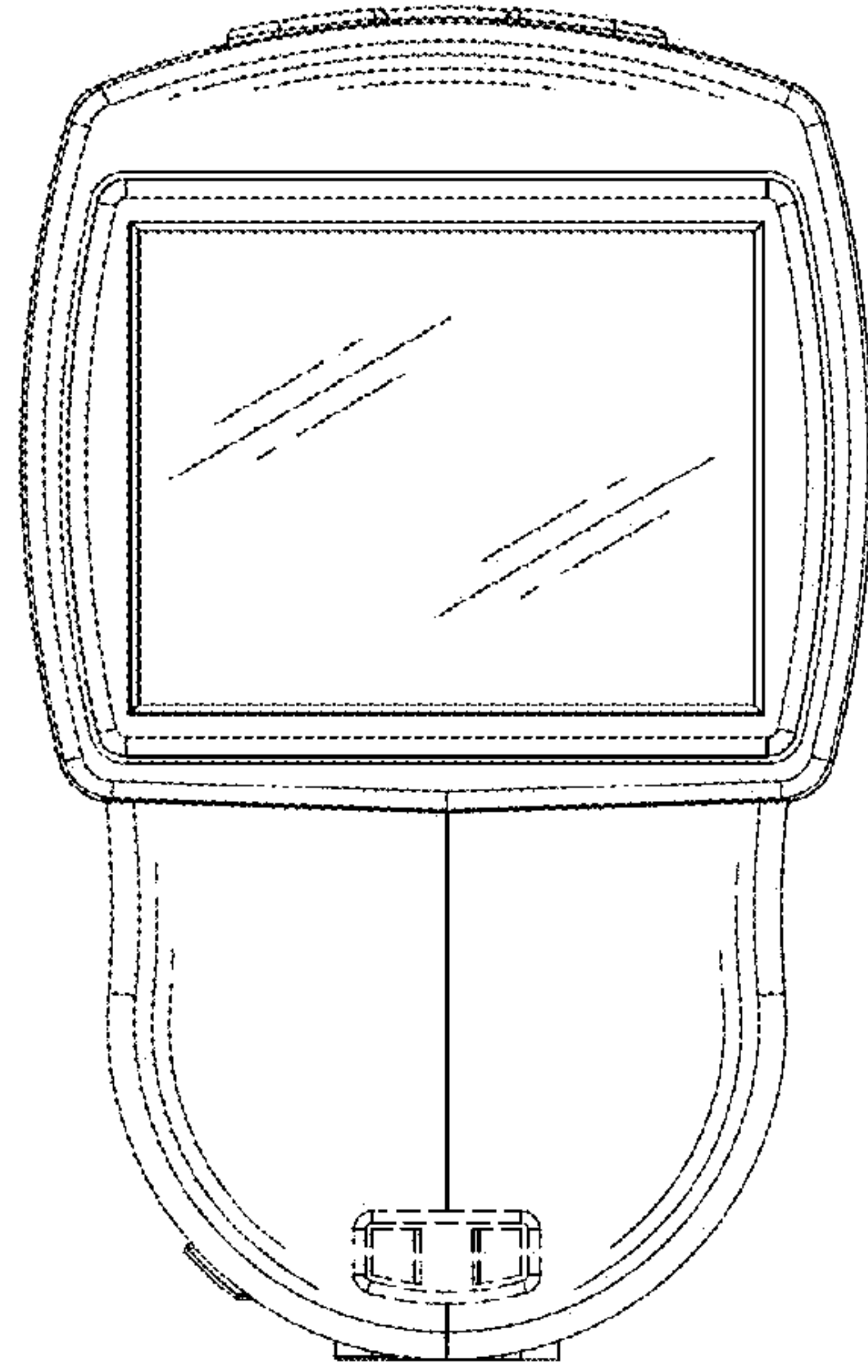


FIG. 3

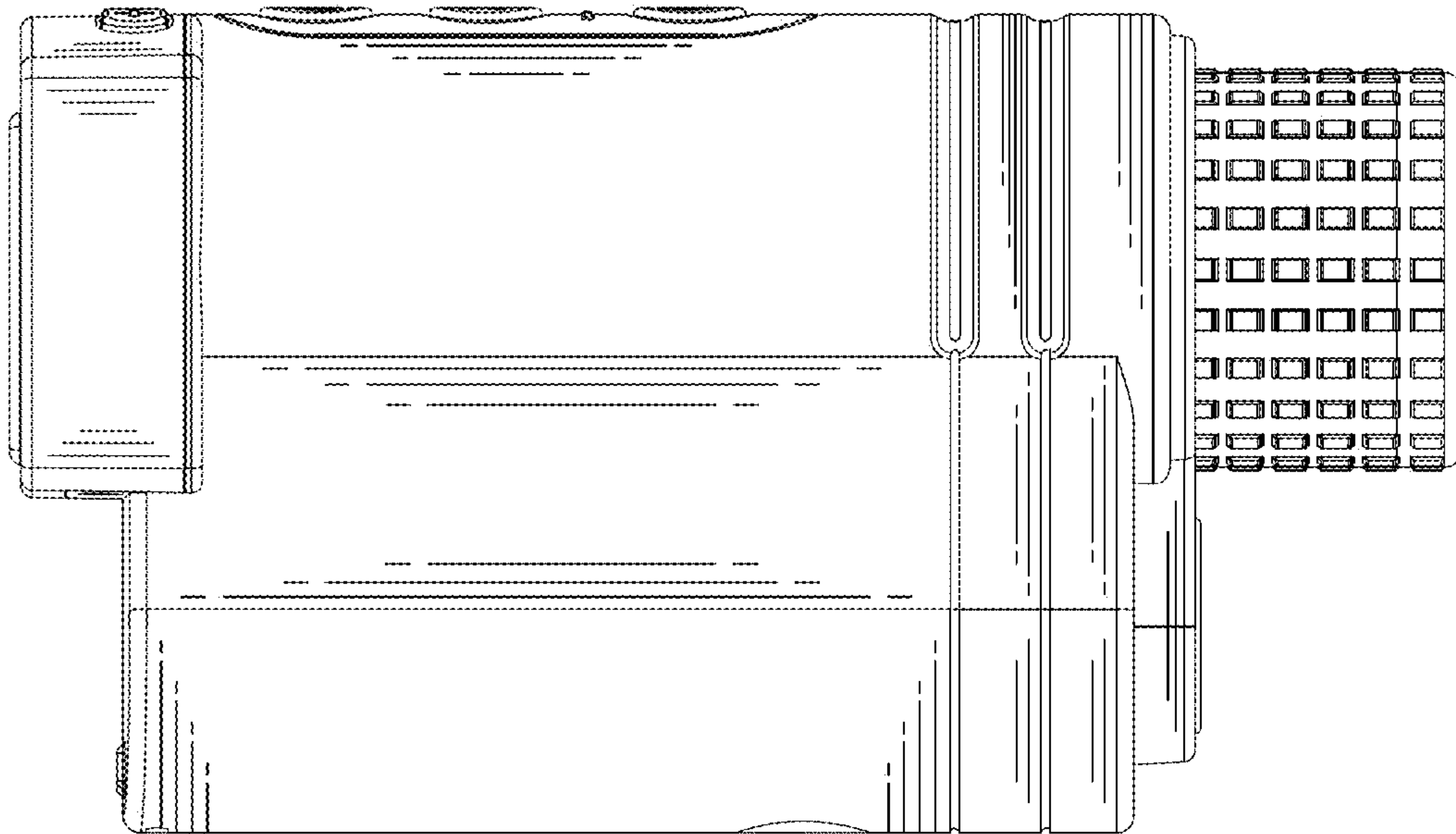


FIG. 4

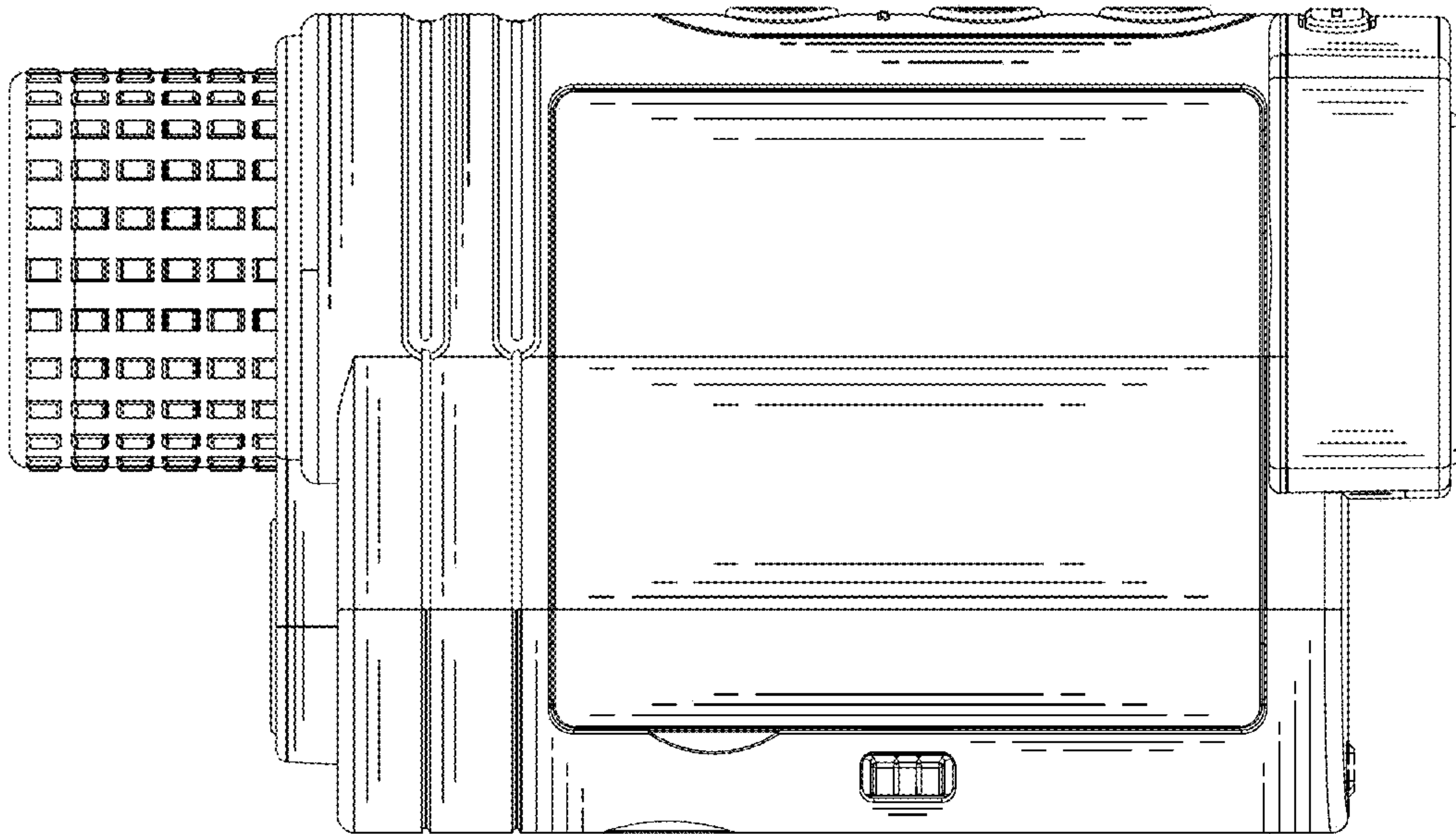


FIG. 5

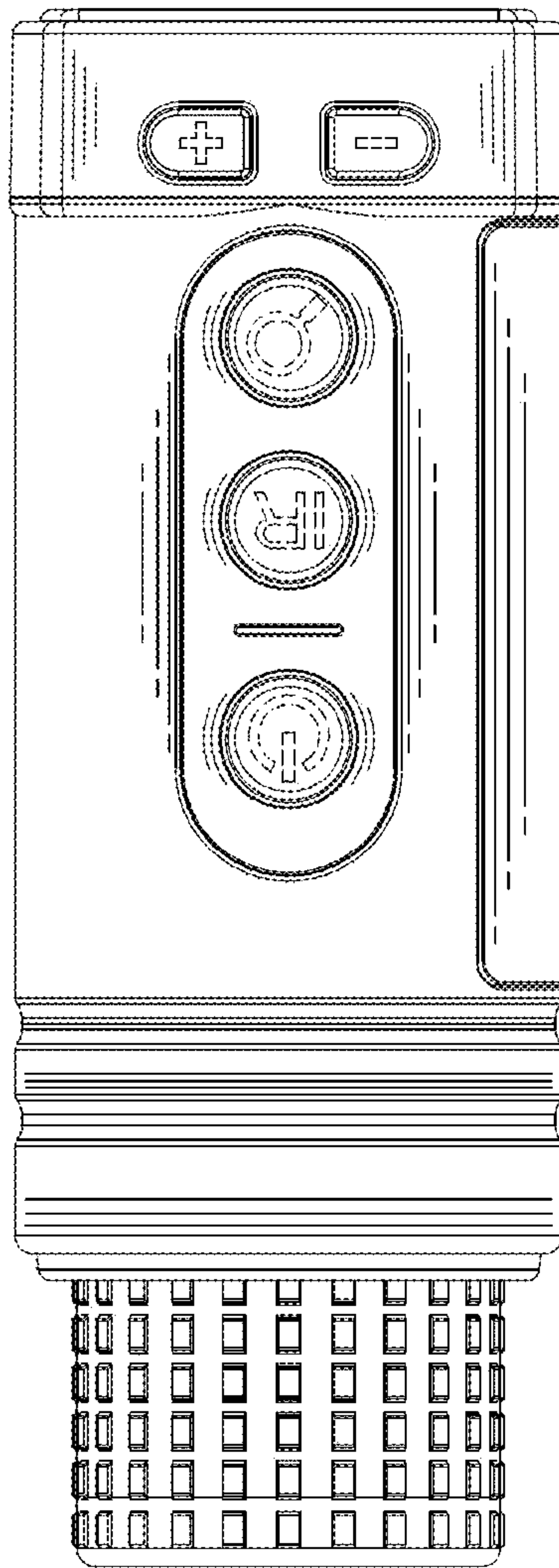


FIG. 6

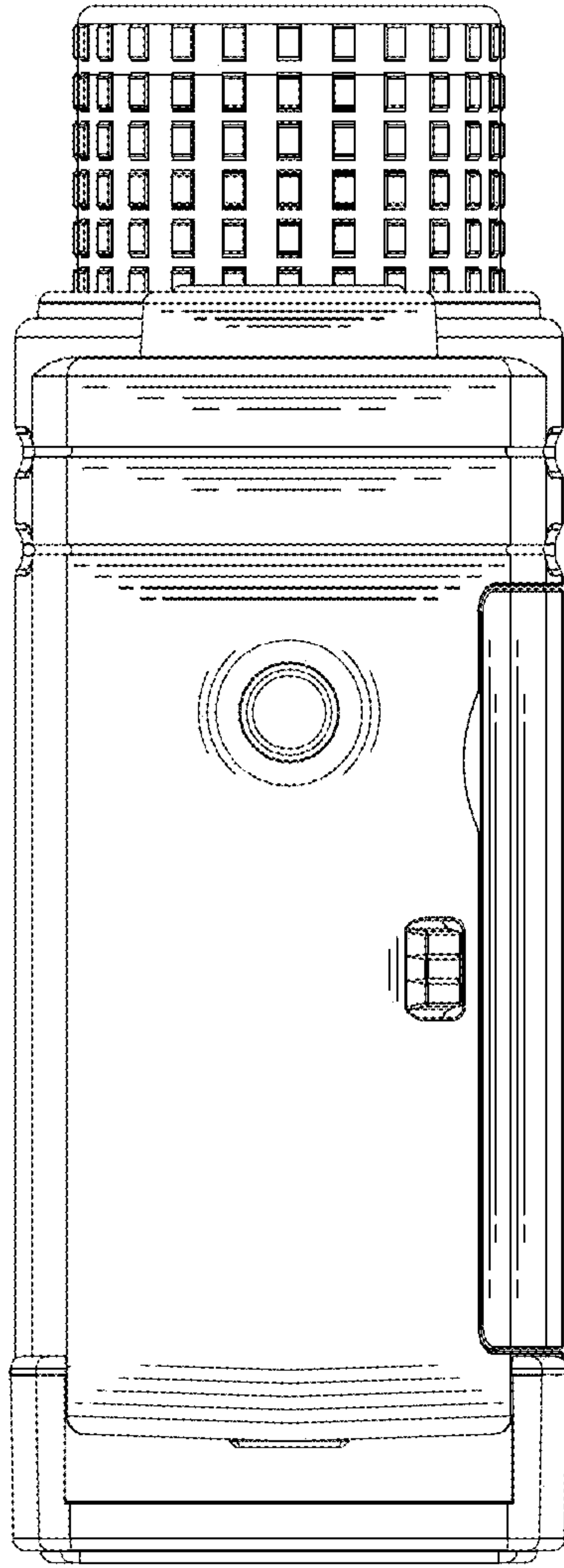


FIG. 7

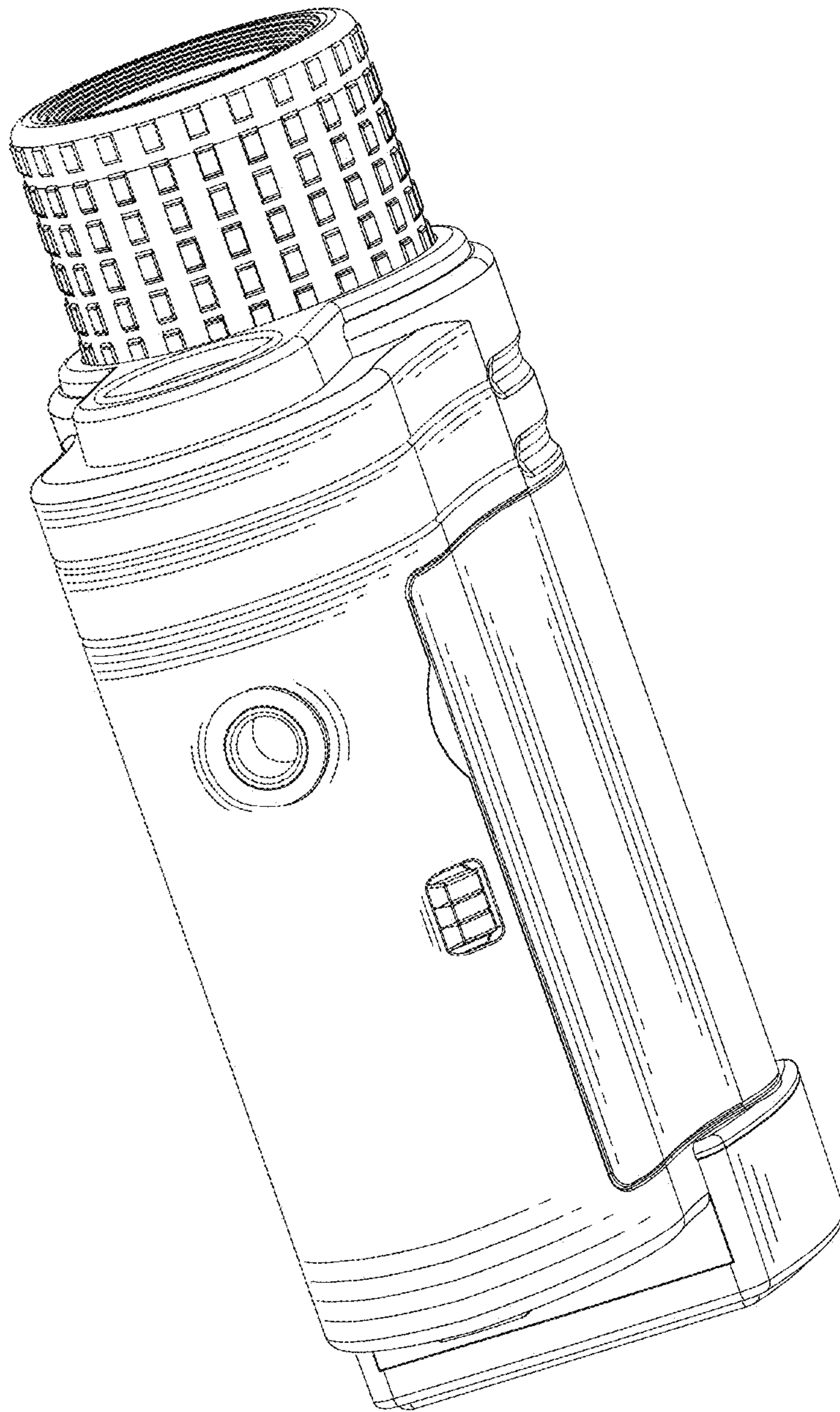


FIG. 8