



US00D903734S

(12) **United States Design Patent** (10) **Patent No.:** **US D903,734 S**
Karol et al. (45) **Date of Patent:** **** Dec. 1, 2020**

(54) **GEAR**
(71) Applicant: **DEKA Products Limited Partnership**,
Manchester, NH (US)
(72) Inventors: **Daniel S. Karol**, Southborough, MA
(US); **Jason M. Overson**, Manchester,
NH (US)
(73) Assignee: **DEKA Products Limited Partnership**,
Manchester, NH (US)
(**) Term: **15 Years**
(21) Appl. No.: **29/739,059**
(22) Filed: **Jun. 22, 2020**

CPC F16H 1/16; F16H 48/08; F16H 48/40;
G03G 2221/1657; G03G 2221/1884;
G03G 21/18; G03G 21/1857; G03G
15/00; G03G 15/575; F16D 3/00; F16D
3/06
See application file for complete search history.

(56) **References Cited**

U.S. PATENT DOCUMENTS

D884,759 S * 5/2020 Karol D15/148
D888,116 S * 6/2020 Karol D15/148
D888,117 S * 6/2020 Karol D15/148

* cited by examiner

Primary Examiner — Mark A Goodwin
(74) *Attorney, Agent, or Firm* — Kathleen Chapman

(57) **CLAIM**

The ornamental design for a gear, as shown and described.

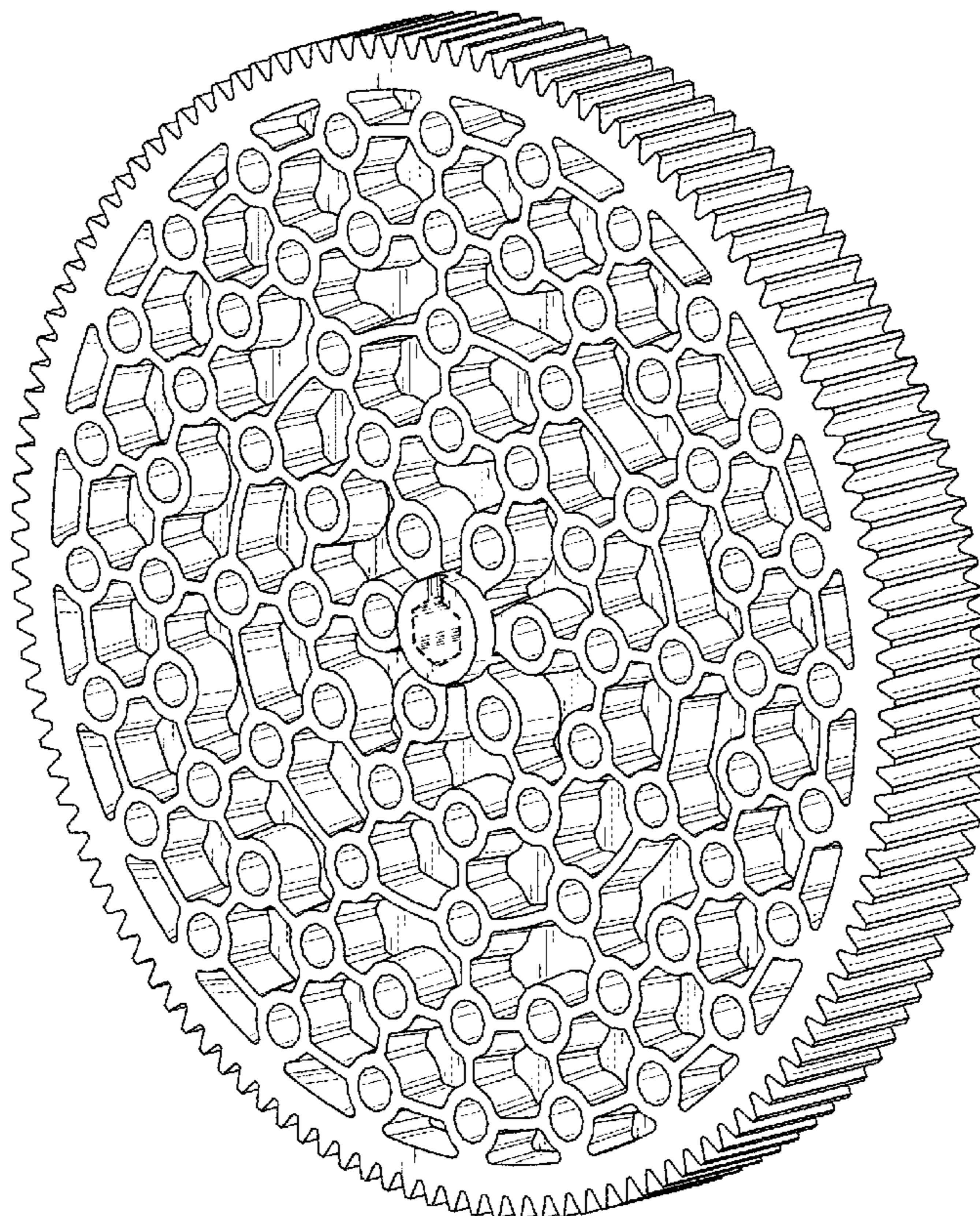
DESCRIPTION

FIG. 1 is a front, top, right side perspective view of the gear showing our new design;
FIG. 2 is a front side elevational view thereof;
FIG. 3 is a rear side elevational view thereof;
FIG. 4 is a left side elevational view thereof;
FIG. 5 is a right side elevational view thereof;
FIG. 6 is a top plan view thereof; and,
FIG. 7 is a bottom plan view thereof.

1 Claim, 5 Drawing Sheets

Related U.S. Application Data

(60) Continuation of application No. 29/657,871, filed on Jul. 26, 2018, now Pat. No. Des. 888,117, which is a division of application No. 29/553,523, filed on Feb. 2, 2016, now Pat. No. Des. 825,631.
(51) **LOC (12) Cl.** **15-09**
(52) **U.S. Cl.**
USPC **D15/148**
(58) **Field of Classification Search**
USPC D15/10-33, 148, 149; D12/42, 43, 48, D12/123; D18/43, 12, 36, 40, 44, 56; D21/488, 108, 124, 128, 132, 134, 141, D21/561, 563



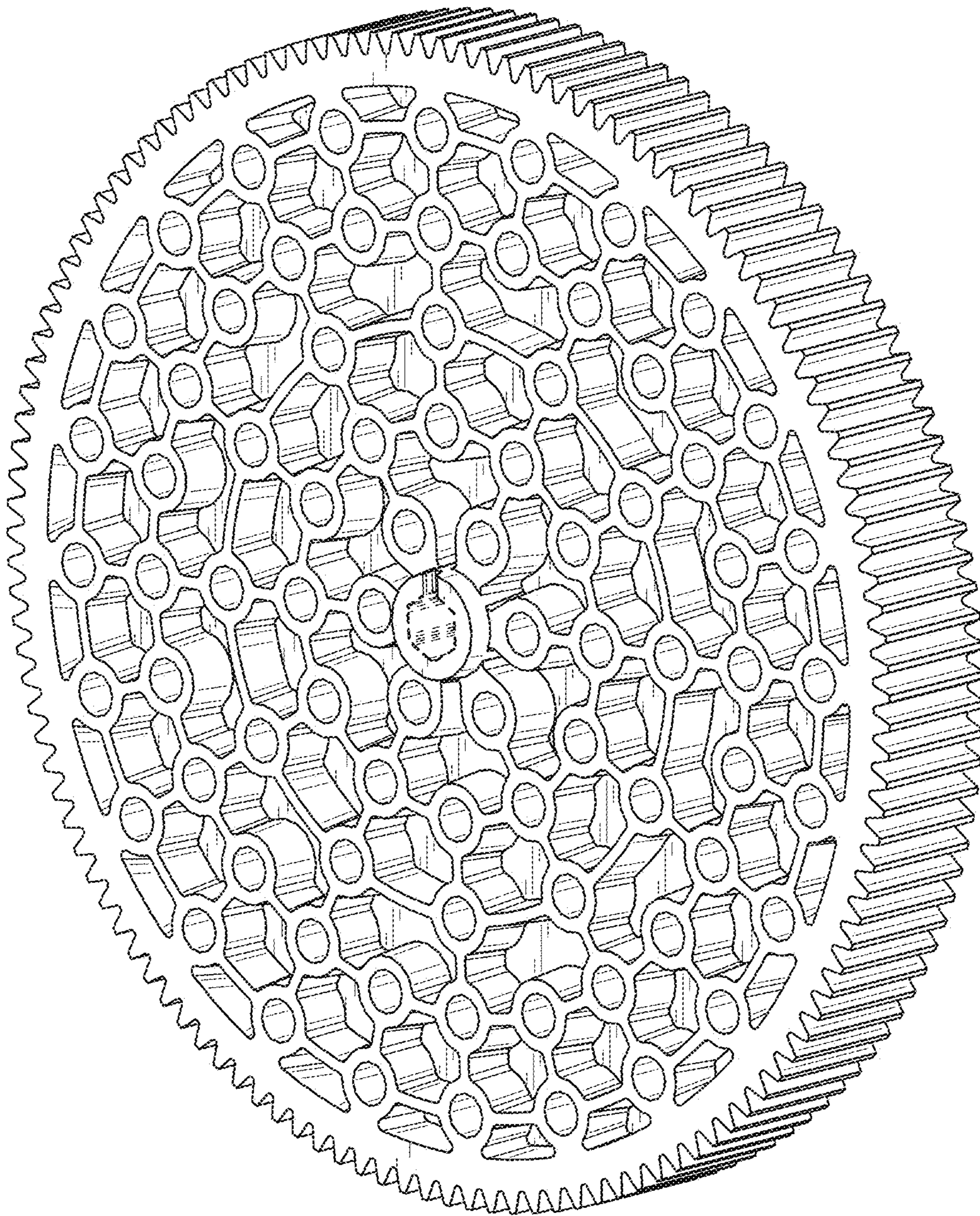


FIG. 1

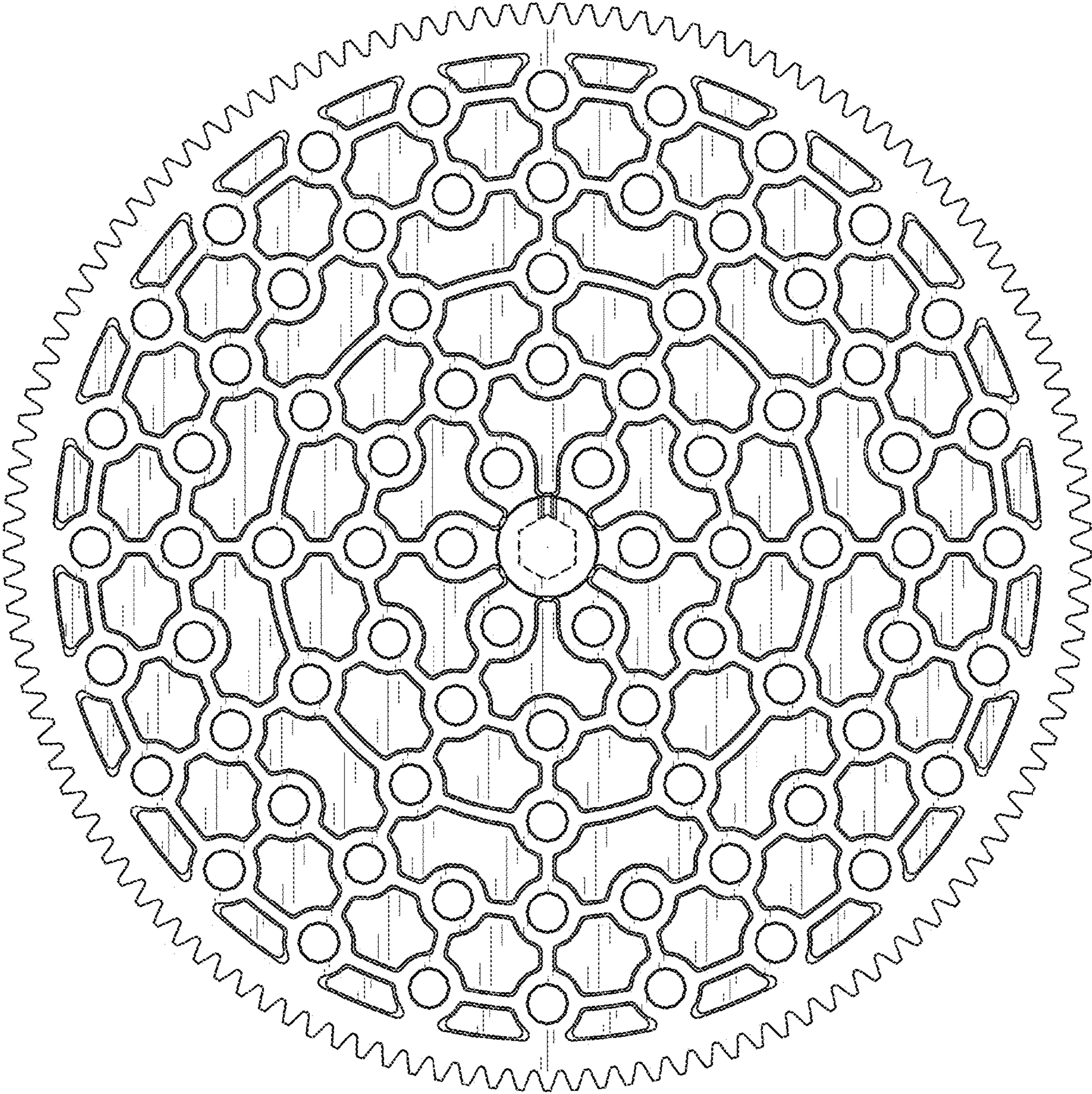


FIG. 2

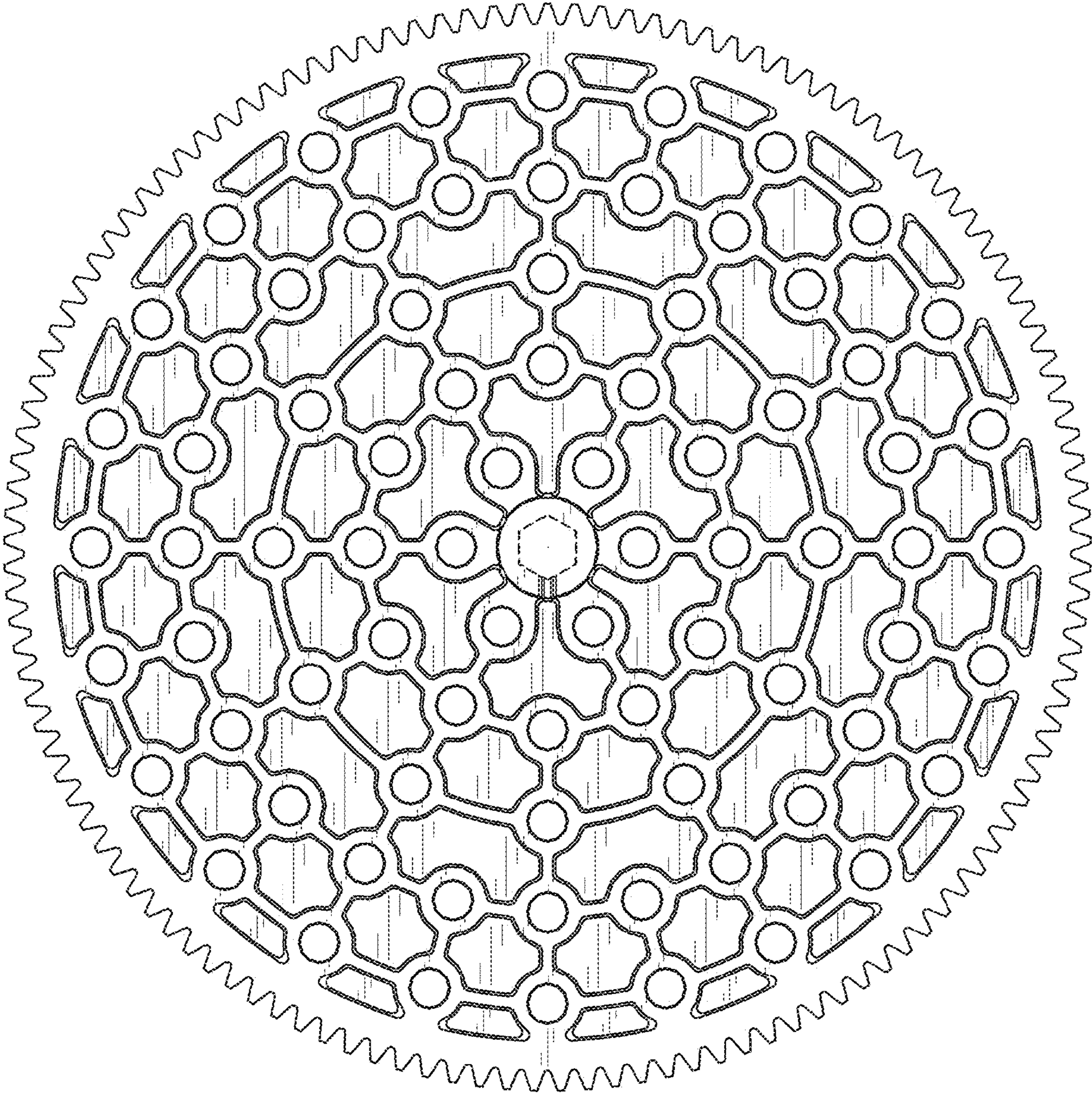


FIG. 3

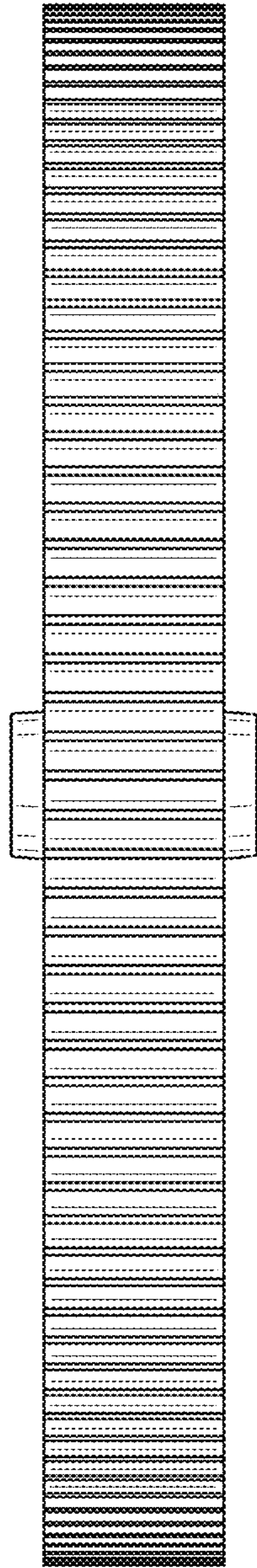


FIG. 4

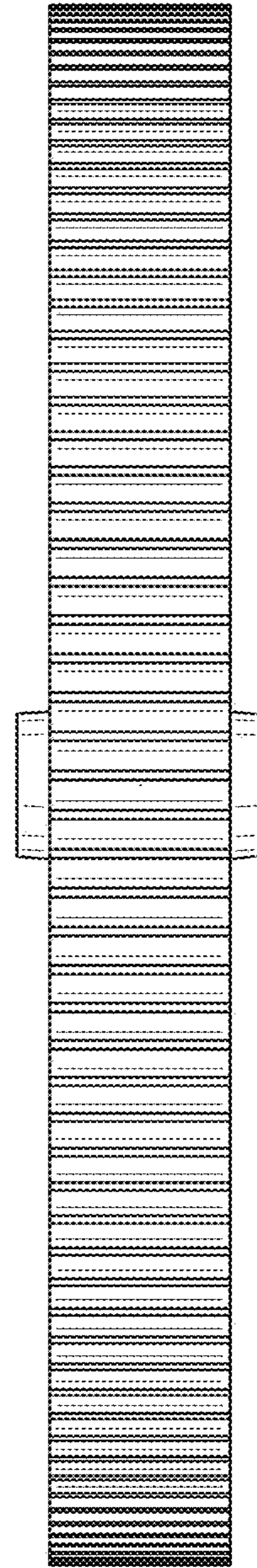


FIG. 5

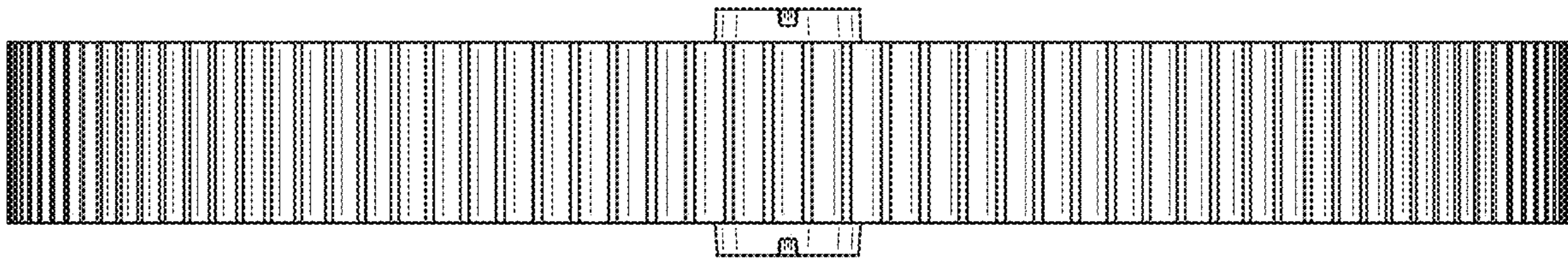


FIG. 6

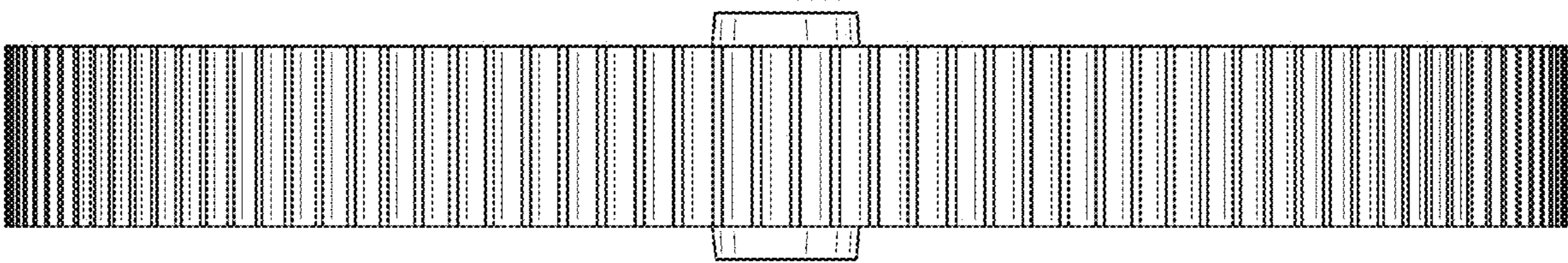


FIG. 7