



US00D903731S

(12) **United States Design Patent** (10) **Patent No.:** **US D903,731 S**  
**Naksen et al.** (45) **Date of Patent:** **\*\* Dec. 1, 2020**

(54) **BELT SANDER**

2224/13147; H01L 2224/81424; H01L 2224/81447; H01L 2224/81455; H01L 2224/81464; H01L 2924/0002; H01L 2924/12042; H01L 21/3212; H01L 2224/0401; H01L 2224/45099

(71) Applicant: **Ingersoll-Rand Industrial U.S., Inc.**,  
Davidson, NC (US)

(72) Inventors: **Dennis Naksen**, Summit, NJ (US);  
**Scott D. Price**, Lebanon, NJ (US);  
**Joshua O. Johnson**, Allentown, PA (US)

See application file for complete search history.

(73) Assignee: **Ingersoll-Rand Industrial U.S., Inc.**,  
Davidson, NC (US)

(\*\*) Term: **15 Years**

(21) Appl. No.: **29/660,586**

(22) Filed: **Aug. 21, 2018**

**Related U.S. Application Data**

(63) Continuation of application No. 29/572,994, filed on Aug. 2, 2016, now Pat. No. Des. 826,298.

(51) **LOC (12) Cl.** ..... **15-03**

(52) **U.S. Cl.**  
USPC ..... **D15/125**

(58) **Field of Classification Search**

USPC ..... D8/61, 62, 68; D15/124, 125  
CPC . H01L 2924/00014; H01L 2224/05624; H01L 2224/05647; H01L 2224/05655; H01L 2224/131; H01L 2224/13111; H01L 2924/00012; H01L 2224/05187; H01L 2924/00; H01L 2924/014; H01L 2224/0231; H01L 2224/0237; H01L 2224/0345; H01L 2224/03602; H01L 2224/03614; H01L 2224/05026; H01L 2224/05124; H01L 2224/05139; H01L 2224/05147; H01L 2224/05166; H01L 2224/05181; H01L 2224/05184; H01L 2224/05571; H01L 2224/05639; H01L 2224/05664; H01L 2224/1145; H01L 2224/11462; H01L 2224/13109; H01L

(56) **References Cited**

**U.S. PATENT DOCUMENTS**

D305,029	S	*	12/1989	Fuchs	.....	D15/124
D338,382	S	*	8/1993	Fukuda	.....	D8/62
D351,544	S	*	10/1994	Izumisawa	.....	D8/62
D351,545	S	*	10/1994	Izumisawa	.....	D8/62
D355,201	S	*	2/1995	Brickner, Jr.	.....	D15/125
D384,870	S	*	10/1997	Yamaguchi	.....	D8/62

(Continued)

*Primary Examiner* — Khawaja Anwar

(74) *Attorney, Agent, or Firm* — Taft Stettinius & Hollister LLP

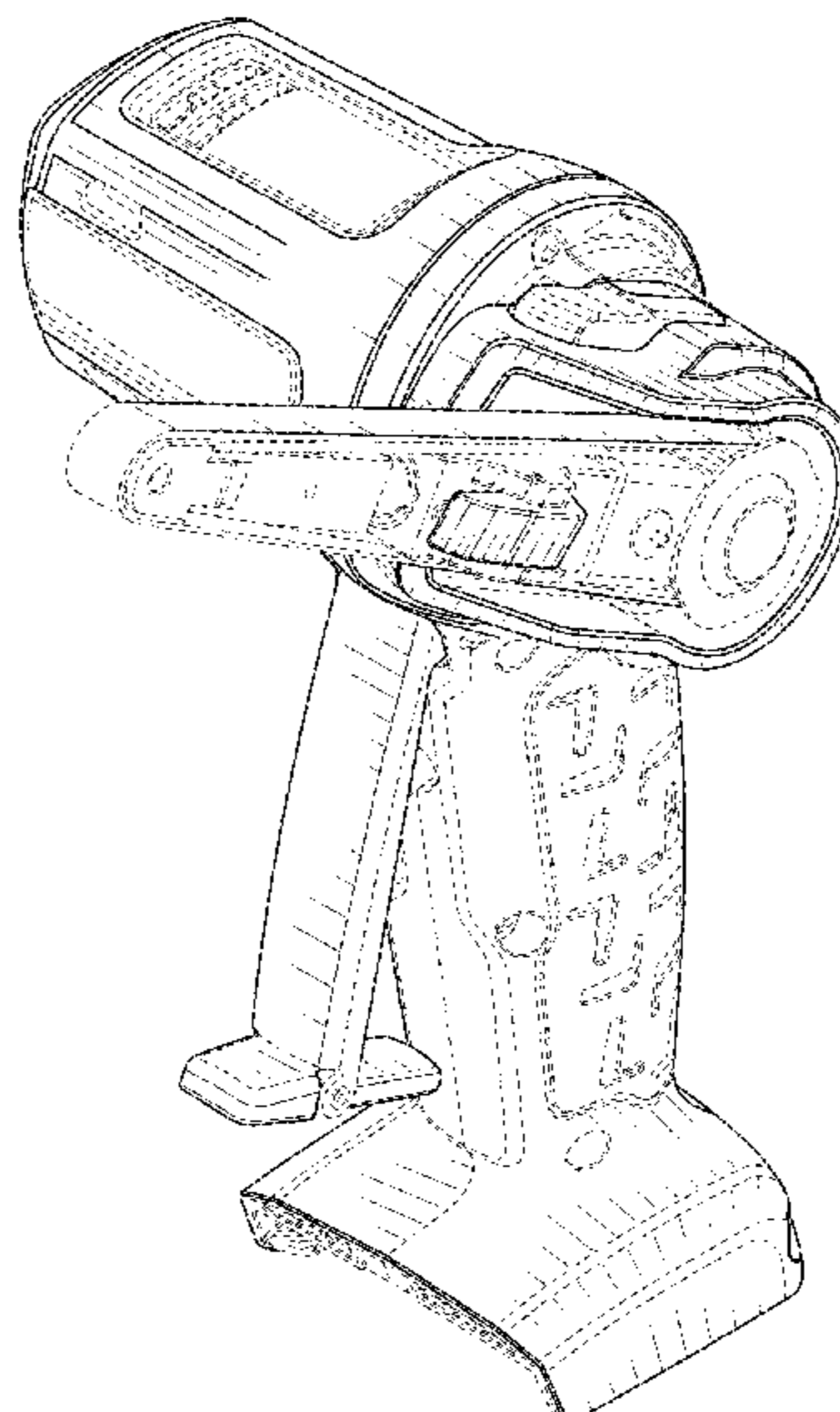
(57) **CLAIM**

The ornamental design for a belt sander, as shown and described.

**DESCRIPTION**

FIG. 1 is a front and side perspective view of a belt sander showing our new design;  
FIG. 2 is a front and opposite perspective view thereof;  
FIG. 3 is a rear and side perspective view thereof;  
FIG. 4 is a rear and opposite side perspective view thereof;  
FIG. 5 is a front elevation view thereof;  
FIG. 6 is a side elevation view thereof;  
FIG. 7 is an opposite side elevation view thereof;  
FIG. 8 is a rear elevation view thereof;  
FIG. 9 is a top plan view thereof; and,  
FIG. 10 is a bottom plan view thereof.  
The broken lines in the figures show portions of the belt sander that form no part of the claimed design.

**1 Claim, 10 Drawing Sheets**



(56)

**References Cited**

U.S. PATENT DOCUMENTS

D387,361 S	*	12/1997	Casanova .....	D15/125
D491,782 S	*	6/2004	Chiba .....	D8/62
D570,173 S	*	6/2008	O'Hern .....	D8/62
D570,661 S	*	6/2008	O'Hern .....	D8/62
D574,686 S	*	8/2008	Waldron .....	D8/62
D625,742 S	*	10/2010	Jebb .....	D15/125
D626,154 S	*	10/2010	Jebb .....	D15/125

\* cited by examiner

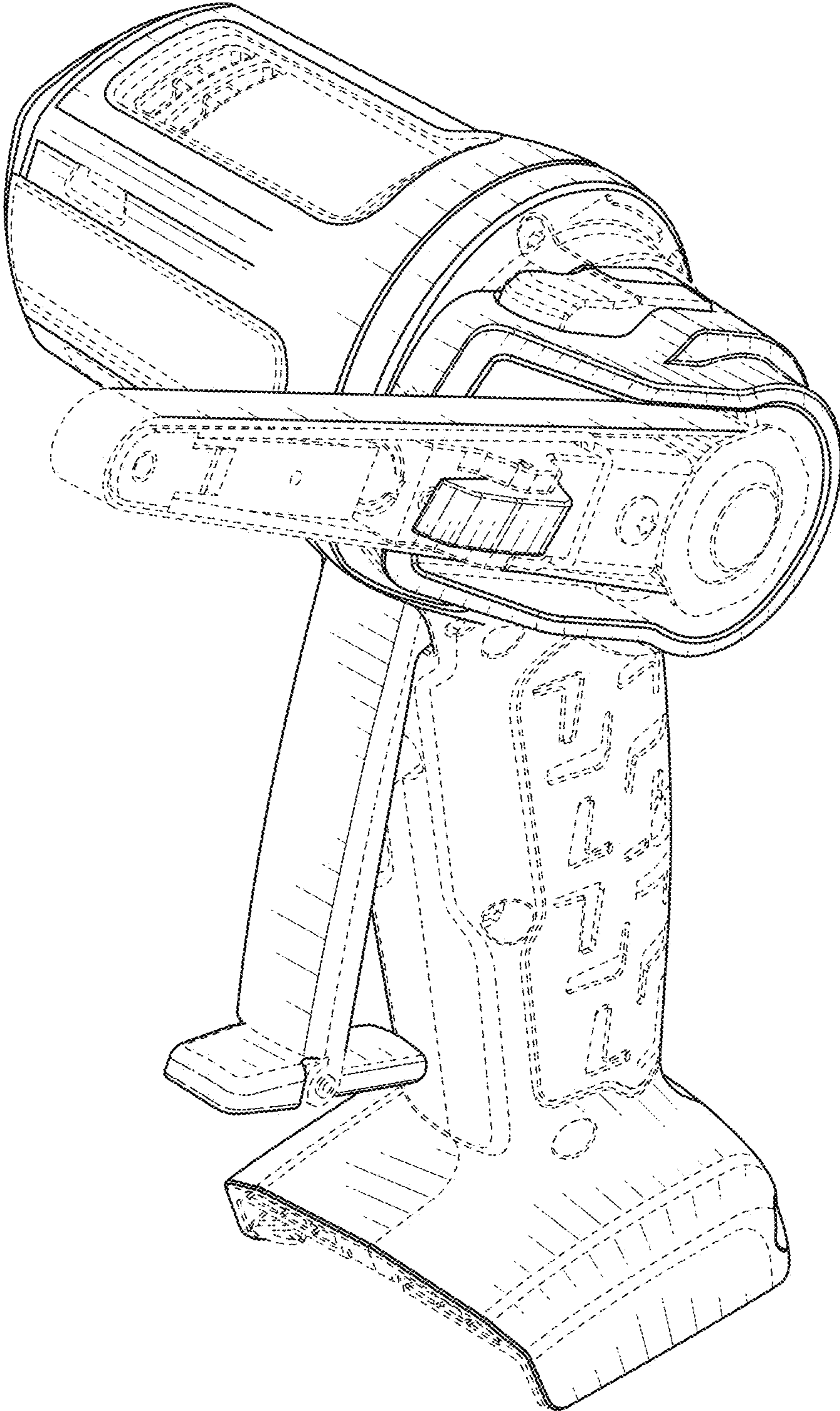


FIG. 1

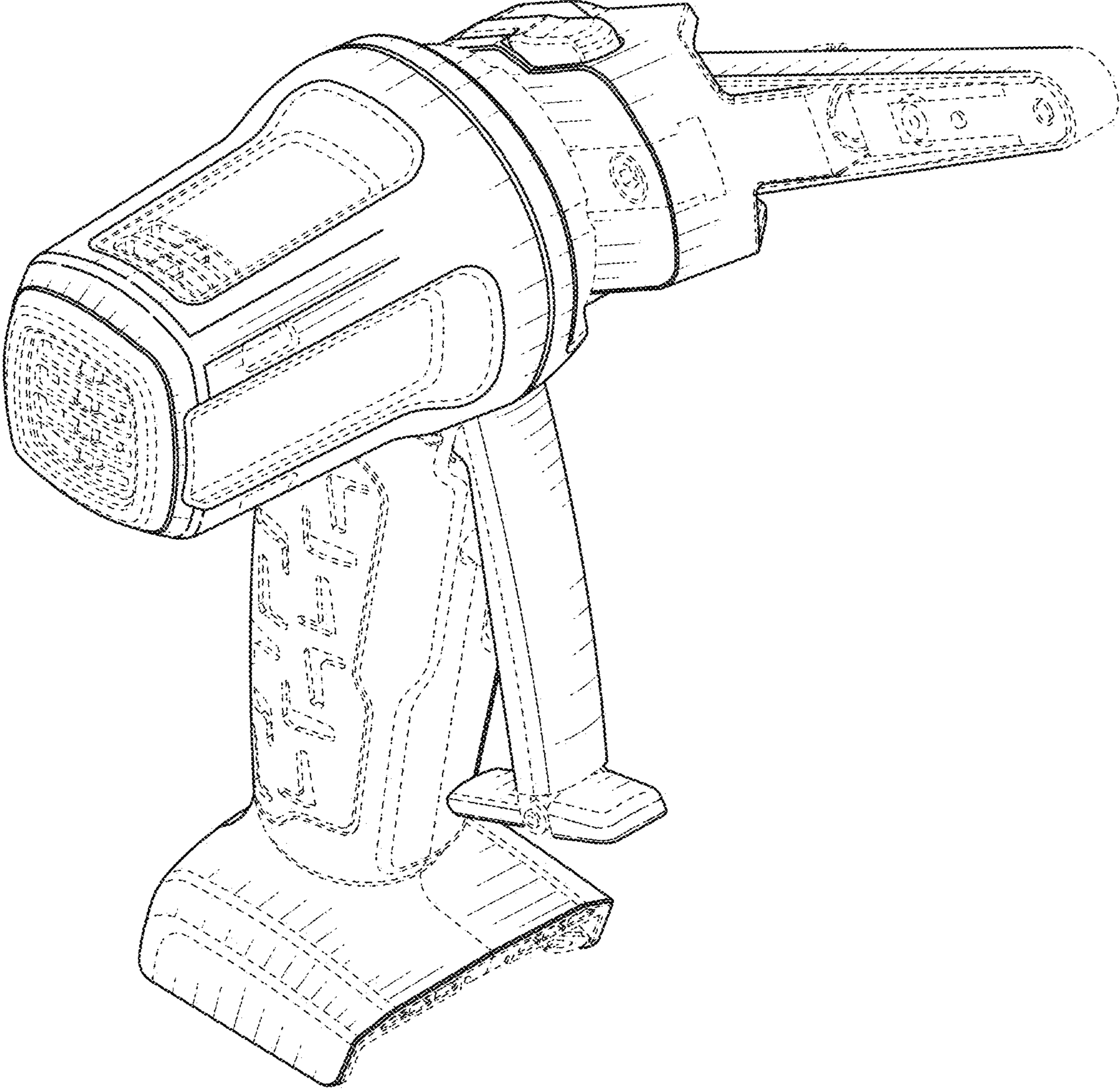


FIG. 2

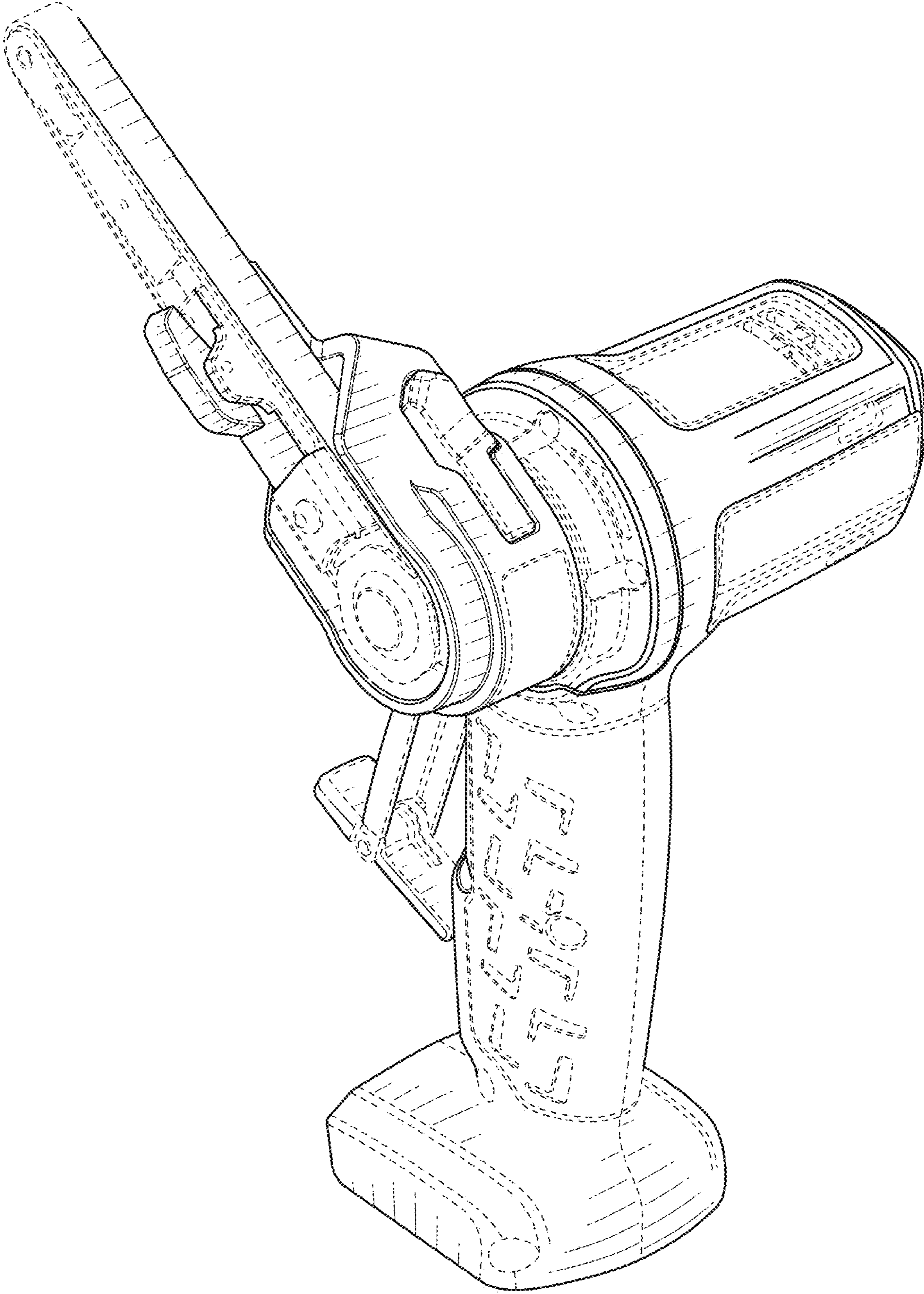


FIG. 3

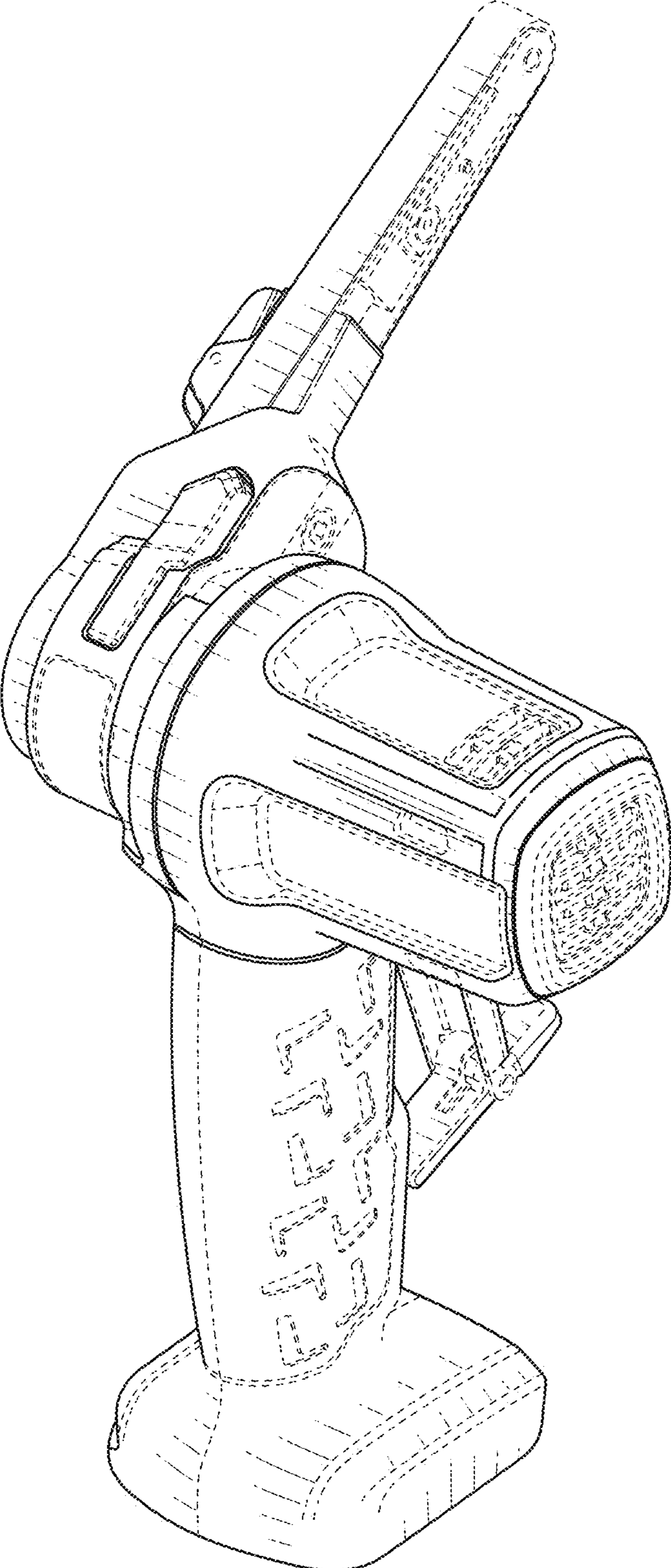


FIG. 4

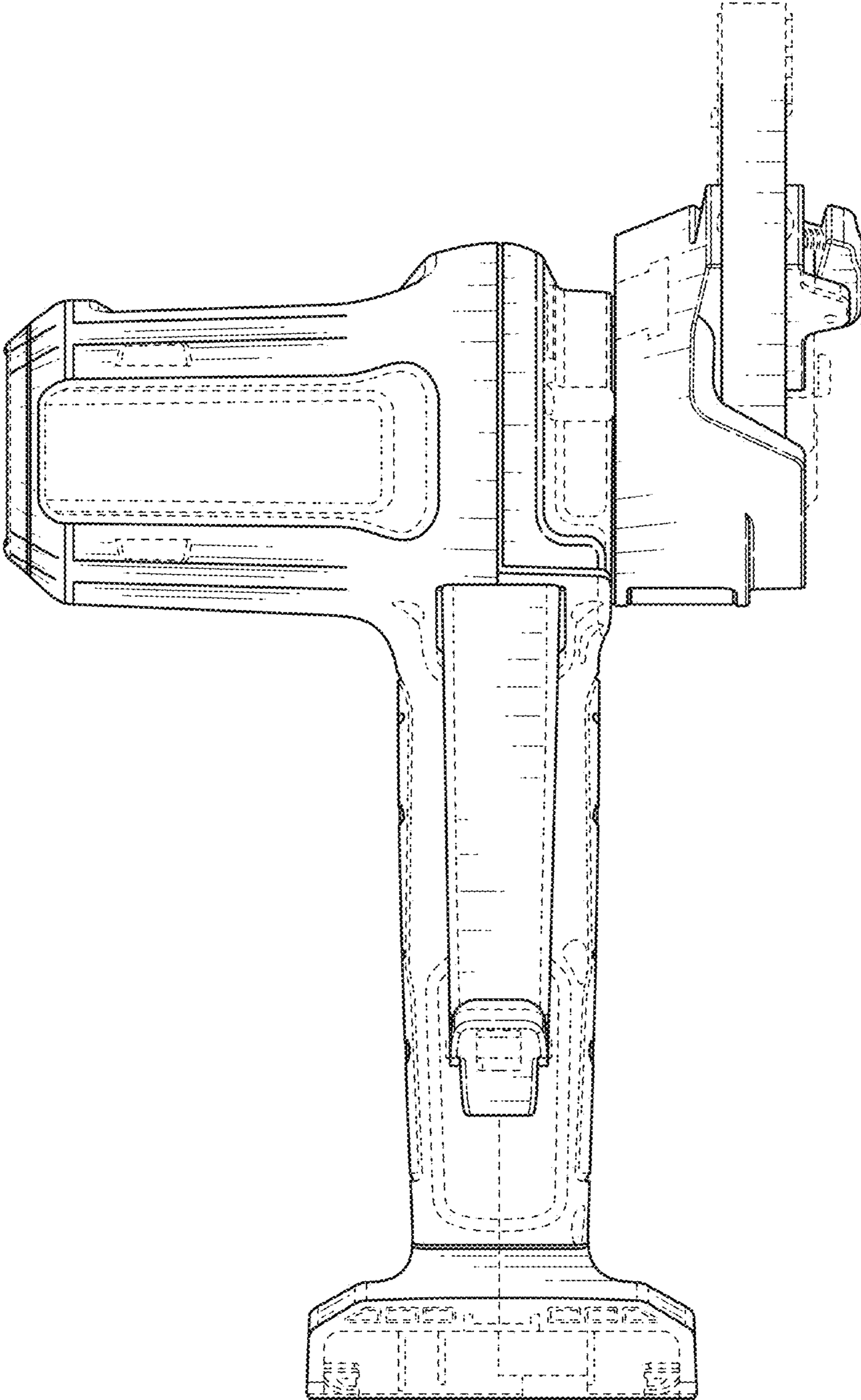


FIG. 5

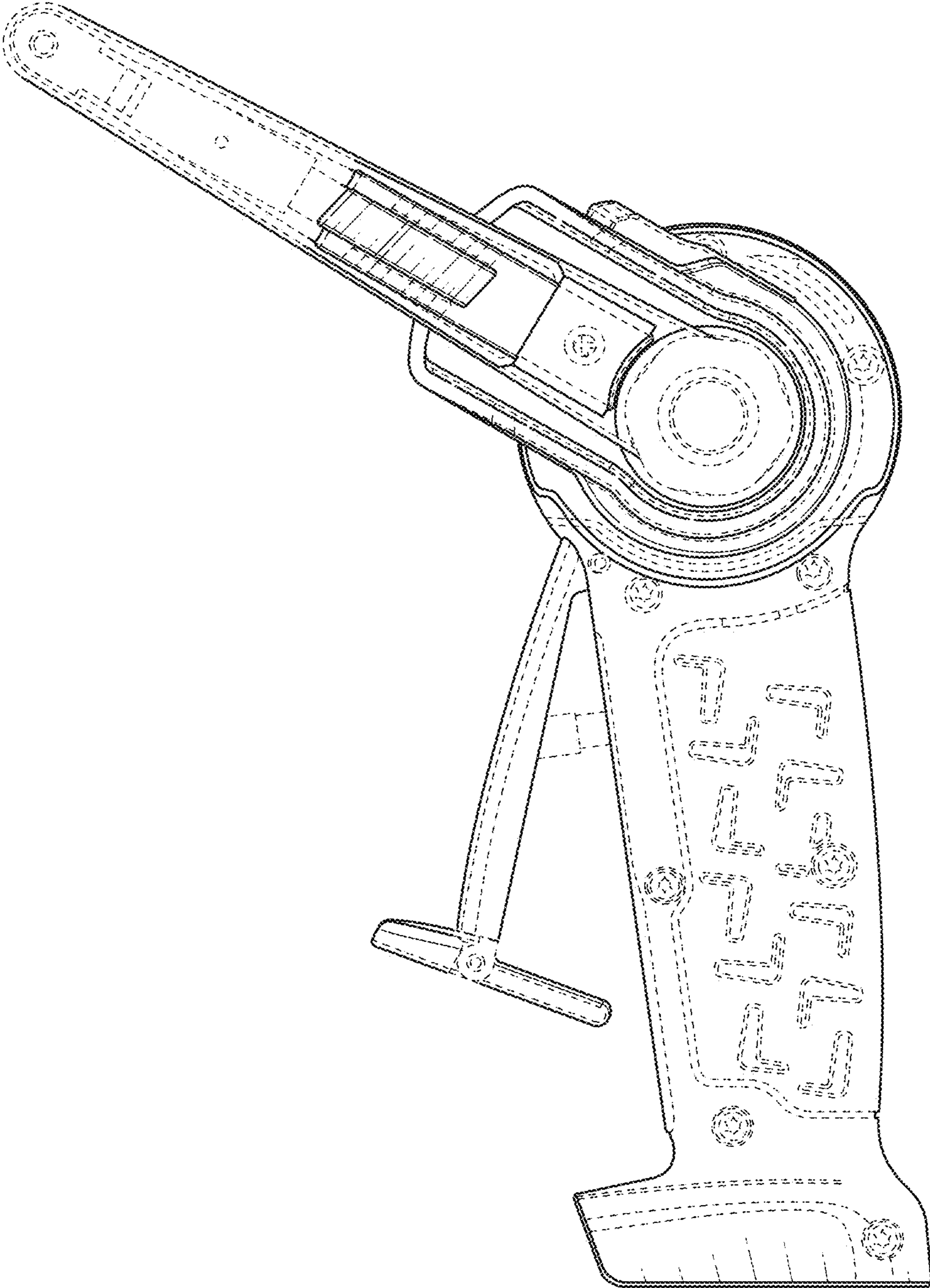


FIG. 6



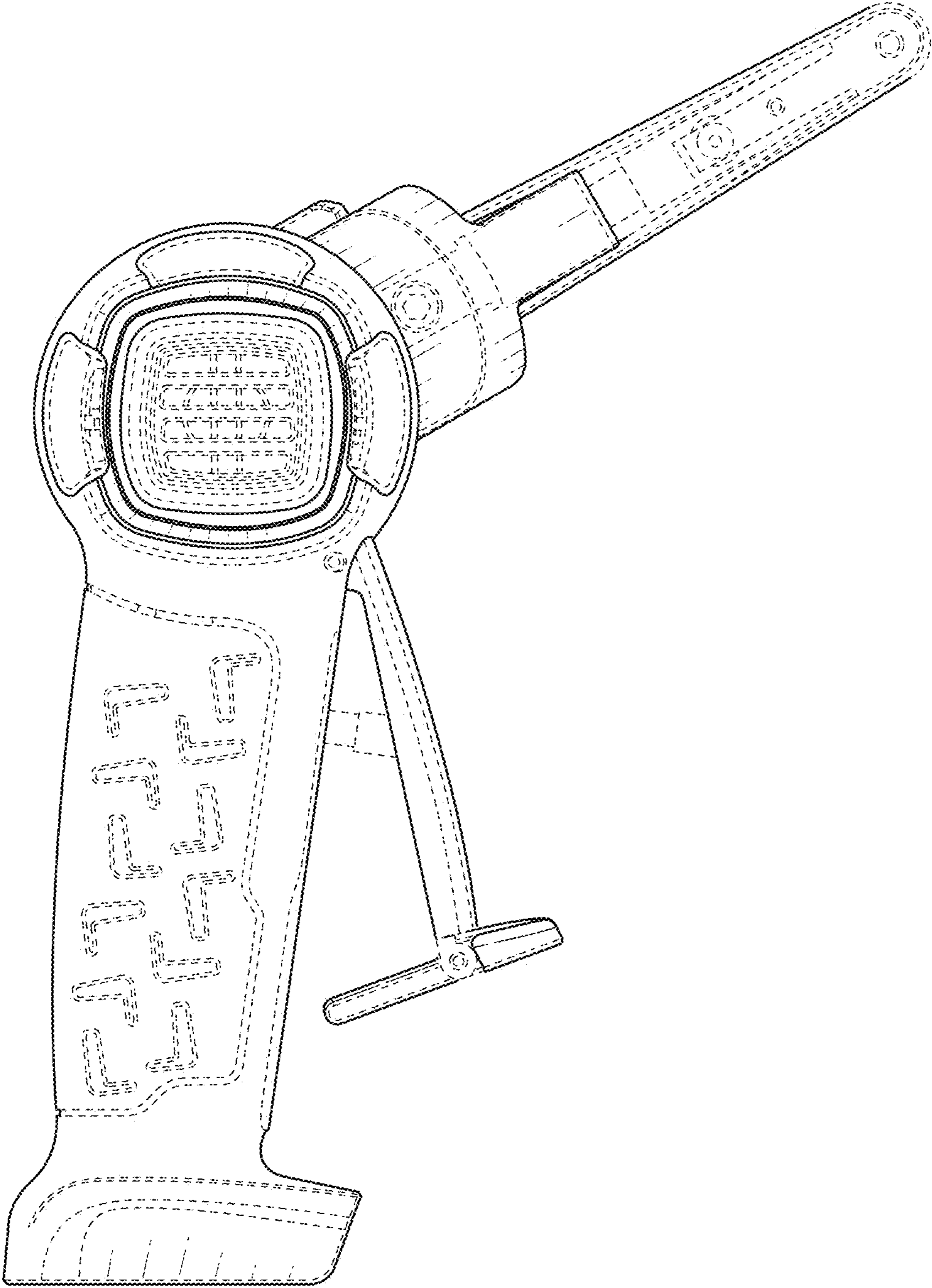


FIG. 7

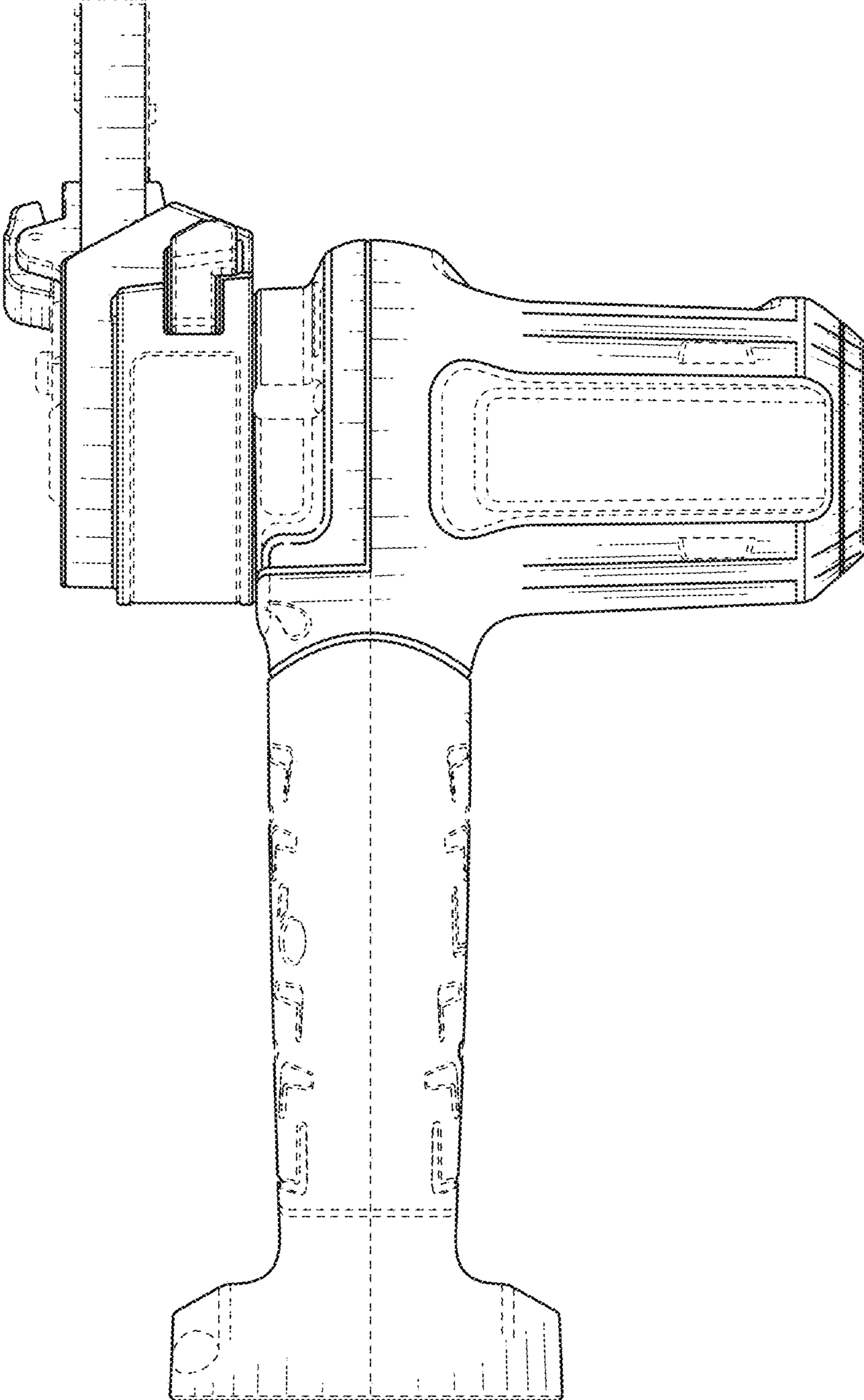


FIG. 8

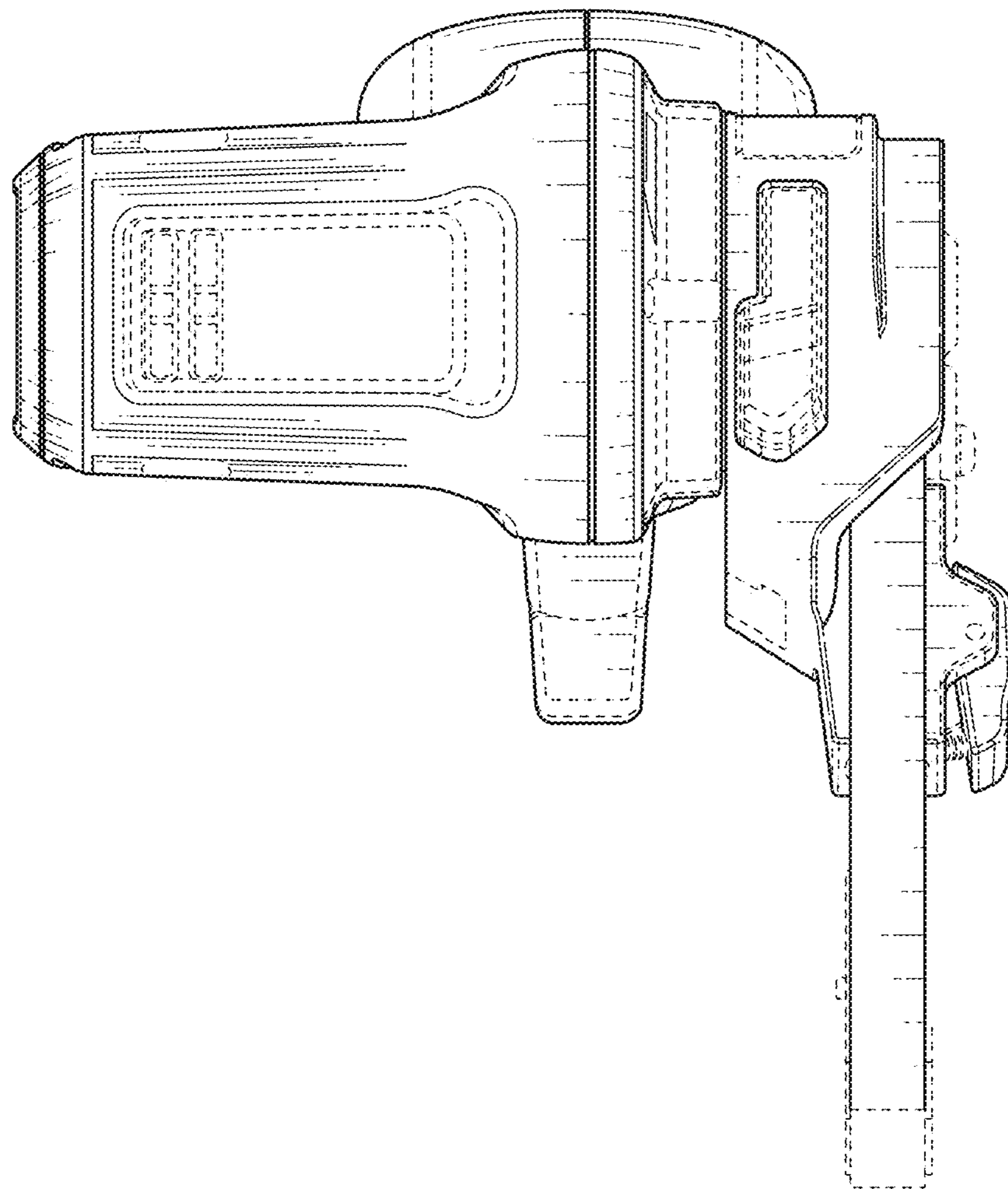


FIG. 9

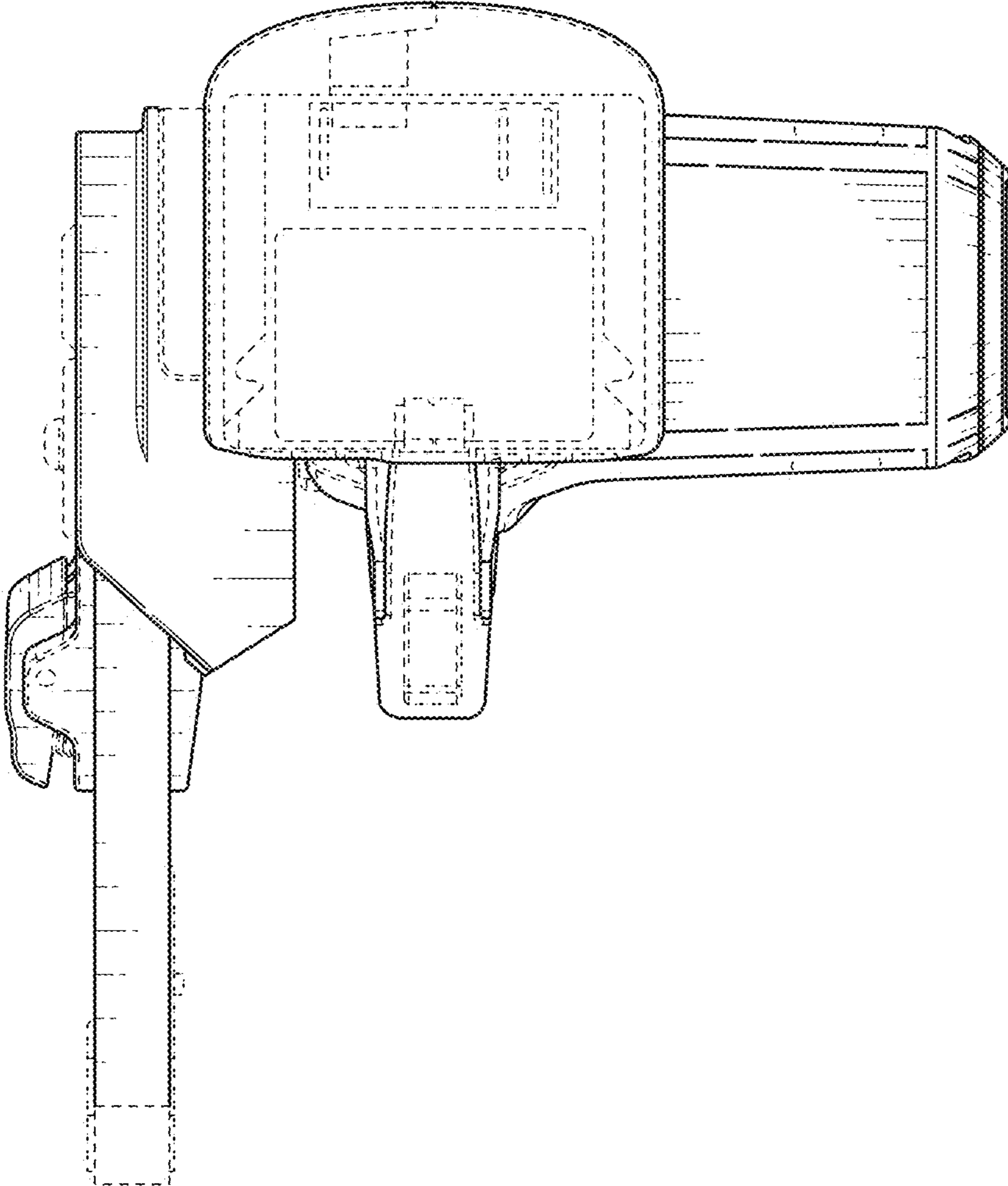


FIG. 10