



US00D903729S

(12) **United States Design Patent** (10) **Patent No.:** **US D903,729 S**
Etgar et al. (45) **Date of Patent:** **** Dec. 1, 2020**

(54) **BEVERAGE COOLING SYSTEM**

DESCRIPTION

(71) Applicant: **Coors Brewing Company**, Denver, CO (US)

(72) Inventors: **Inbal Etgar**, Berkeley, CA (US); **Anderson Miller**, San Francisco, CA (US); **Ryan Wickre**, San Francisco, CA (US); **Hailey Stewart**, Wilmington, MA (US); **Jonathan Grossman**, San Francisco, CA (US)

(73) Assignee: **Coors Brewing Company**, Denver, CO (US)

(**) Term: **15 Years**

(21) Appl. No.: **29/681,365**

(22) Filed: **Feb. 25, 2019**

(51) **LOC (12) Cl.** **15-07**

(52) **U.S. Cl.**
USPC **D15/79**

(58) **Field of Classification Search**
USPC D23/385–389, 395, 330, 397, 393, 392, D23/370, 351, 354; D15/79–91
(Continued)

(56) **References Cited**

U.S. PATENT DOCUMENTS

D458,946 S * 6/2002 Upton D15/79
D460,466 S * 7/2002 Ma D15/79
(Continued)

Primary Examiner — Khawaja Anwar

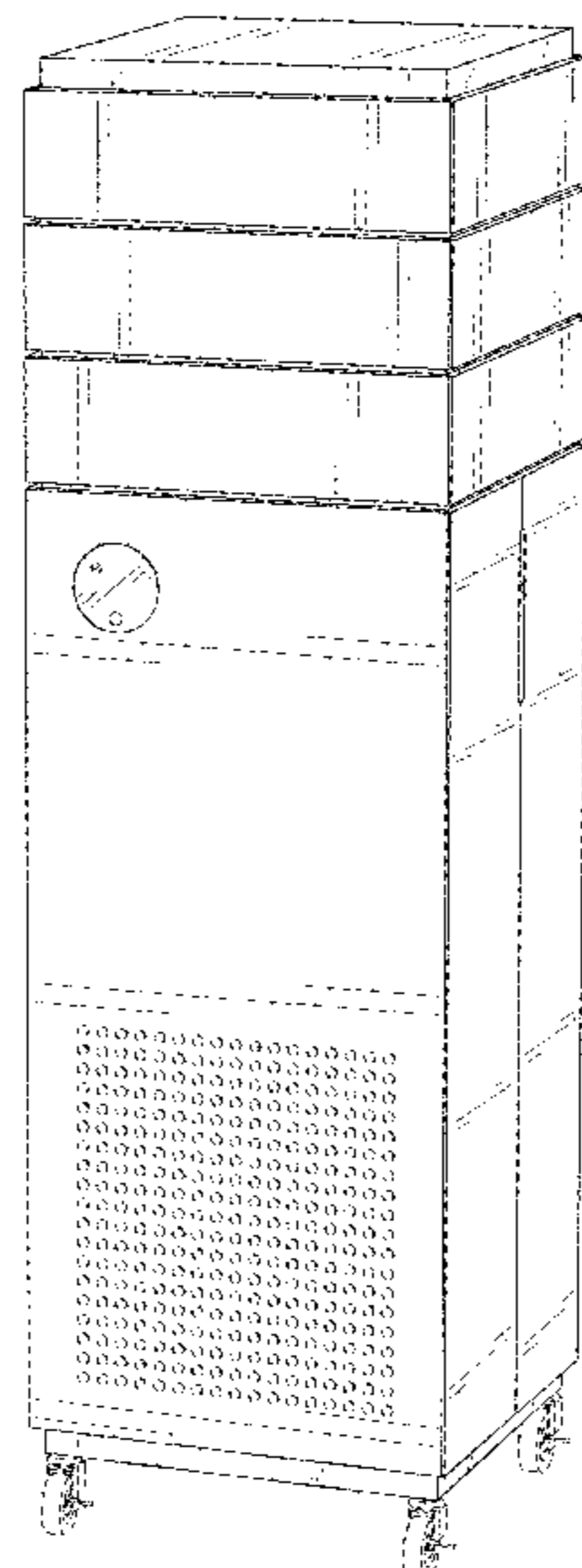
(74) *Attorney, Agent, or Firm* — Sheridan Ross P.C.

(57) **CLAIM**

The ornamental design for the beverage cooling system, as shown and described.

FIG. 1 is a perspective view of a beverage cooling system; FIG. 2 is a front elevation view thereof; FIG. 3 is a rear elevation view thereof; FIG. 4 is a left elevation view thereof; FIG. 5 is a right elevation view thereof; FIG. 6 is a top plan view thereof; FIG. 7 is a bottom plan view thereof; FIG. 8 is a perspective view of a beverage cooling system according to another embodiment; FIG. 9 is a front elevation view of the beverage cooling system of FIG. 8; FIG. 10 is a rear elevation view of the beverage cooling system of FIG. 8; FIG. 11 is a left elevation view of the beverage cooling system of FIG. 8; FIG. 12 is a right elevation view of the beverage cooling system of FIG. 8; FIG. 13 is a top plan view of the beverage cooling system of FIG. 8; FIG. 14 is a bottom plan view of the beverage cooling system of FIG. 8; FIG. 15 is a perspective view of a beverage cooling system according to another embodiment; FIG. 16 is a front elevation view of the beverage cooling system of FIG. 15; FIG. 17 is a rear elevation view of the beverage cooling system of FIG. 15; FIG. 18 is a left elevation view of the beverage cooling system of FIG. 15; FIG. 19 is a right elevation view of the beverage cooling system of FIG. 15; FIG. 20 is a top plan view of the beverage cooling system of FIG. 15; and, FIG. 21 is a bottom plan view of the beverage cooling system of FIG. 15.
The broken lines in the drawings illustrate portions of the beverage cooling system which form no part of the claimed design.

1 Claim, 21 Drawing Sheets



(58) **Field of Classification Search**

CPC F24F 2110/10; F24F 11/30; F24F 11/56;
F24F 11/62; F24F 2110/12; F24F
2110/50; F24F 2140/40; F24F 11/46;
F24F 11/52; F24F 11/58; F24F 11/61;
F24F 11/64; F24F 11/65; F24F 11/70;
F24F 13/0254; F24F 13/08; F24F 13/081;
F24F 1/0007; F24F 1/0018; F24F
2110/00; F24F 2110/20; F24F 2120/20;
F24F 2130/10; F24F 2130/20; F24F
2221/34; F24F 5/0096

See application file for complete search history.

(56) **References Cited**

U.S. PATENT DOCUMENTS

8,910,491 B2 * 12/2014 Iovanel F25B 1/10
62/259.4
D728,643 S * 5/2015 Yamada D15/79
D749,651 S * 2/2016 Abastari D15/79
D760,305 S * 6/2016 Salin D15/82
D803,276 S * 11/2017 Adjabeng D15/79
D839,930 S * 2/2019 Fischbach D15/79
D849,803 S * 5/2019 Meda D15/79
D862,527 S * 10/2019 Farley D15/79
D865,007 S * 10/2019 Meda D15/79
D866,620 S * 11/2019 Legros D15/79
D870,161 S * 12/2019 Kreuzscher D15/79
2016/0146519 A1 * 5/2016 Ito F25B 6/04
62/498

* cited by examiner

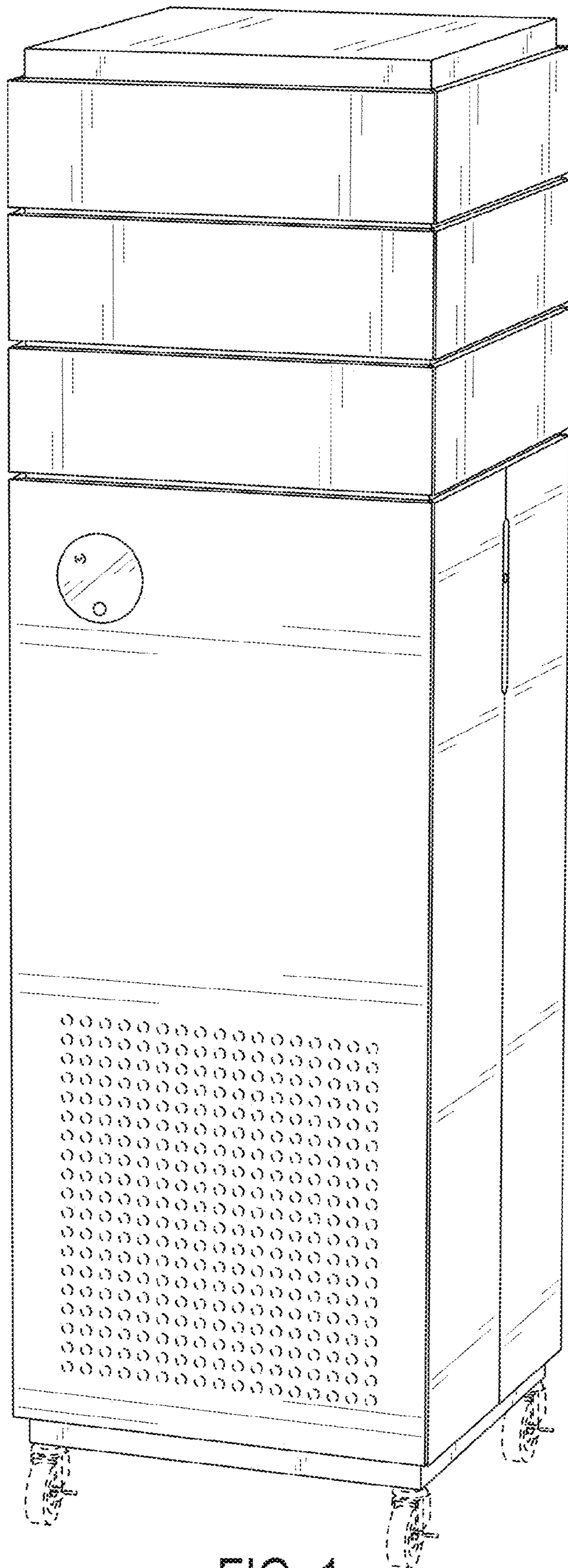


FIG. 1

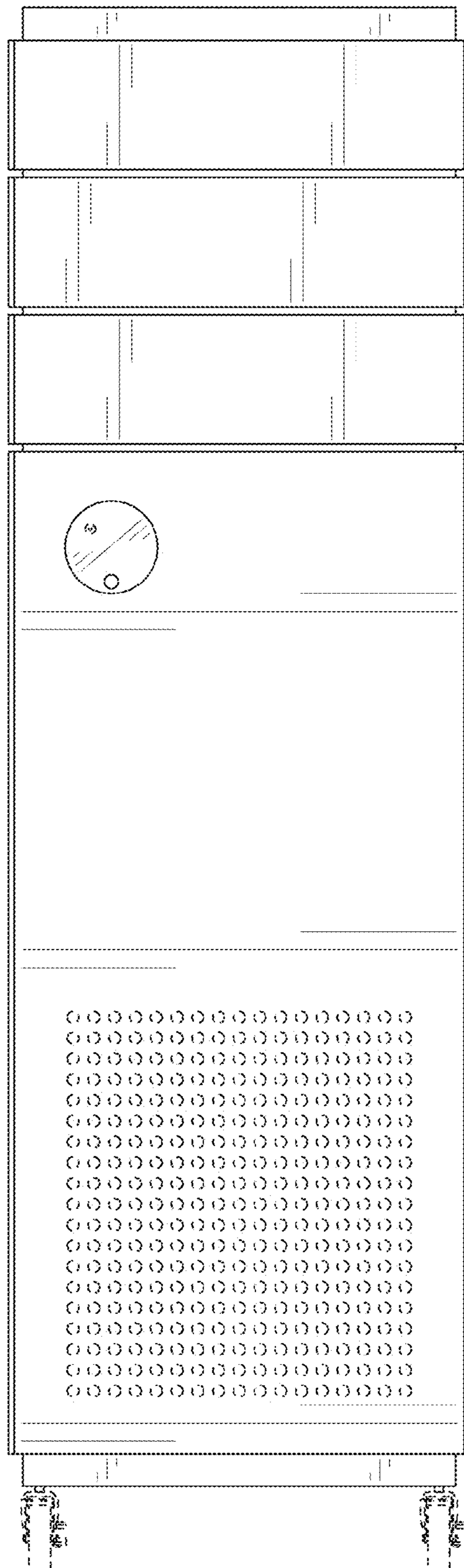


FIG. 2

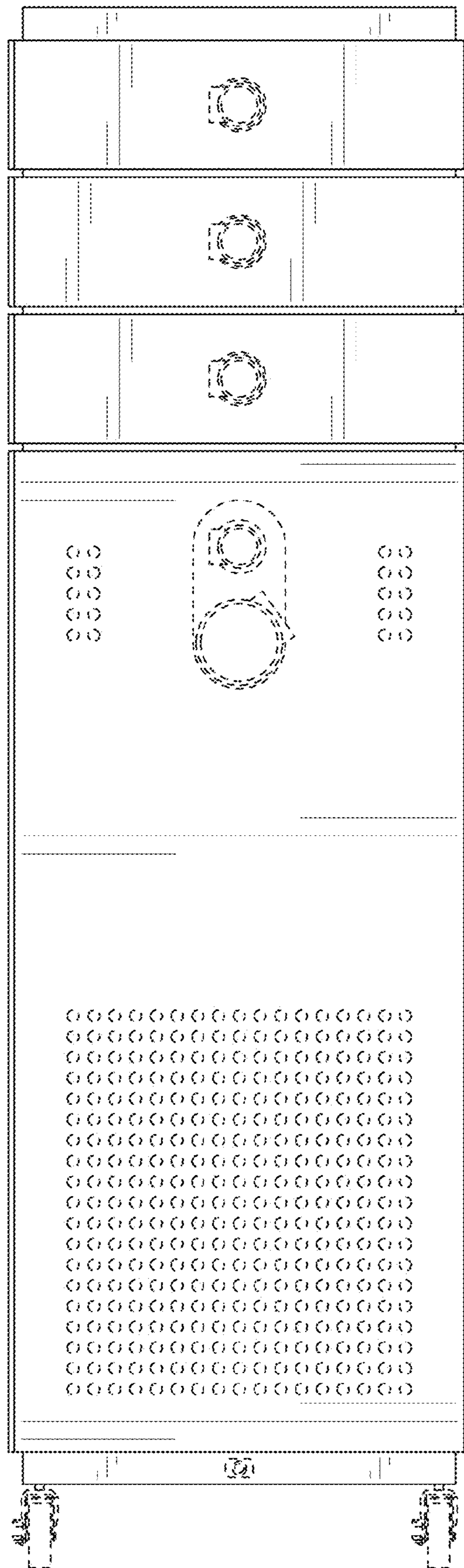


FIG. 3

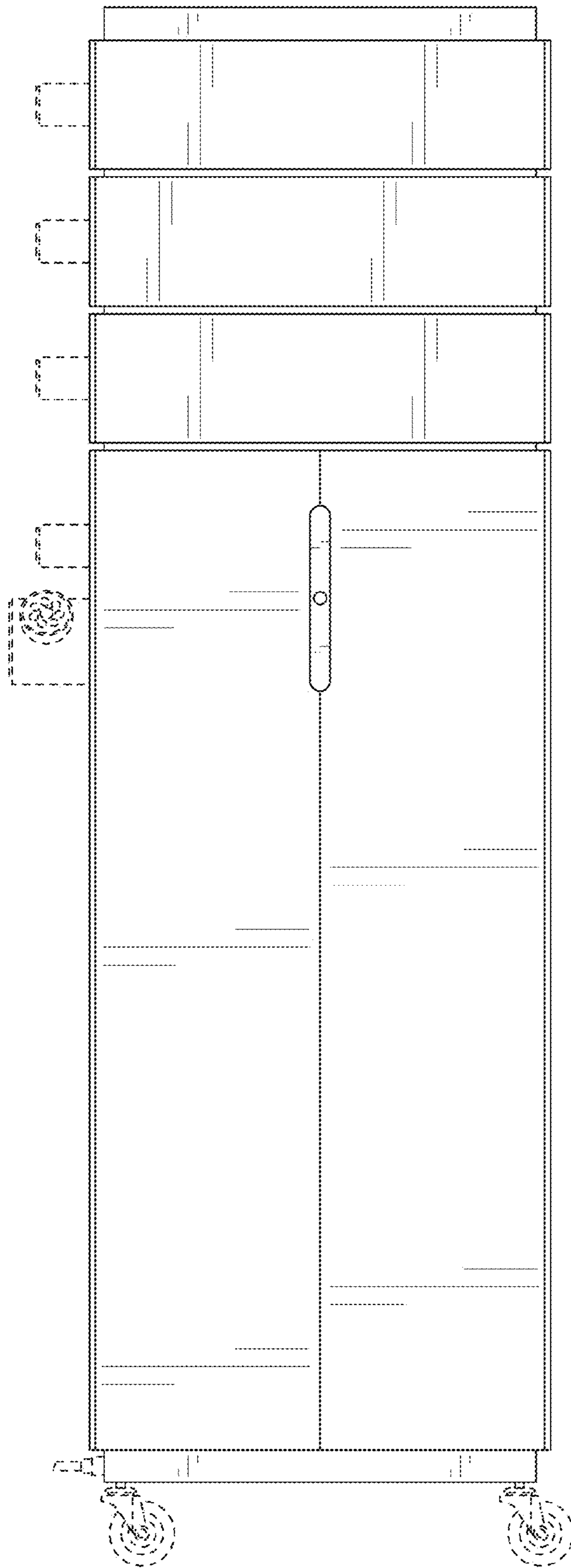


FIG. 4

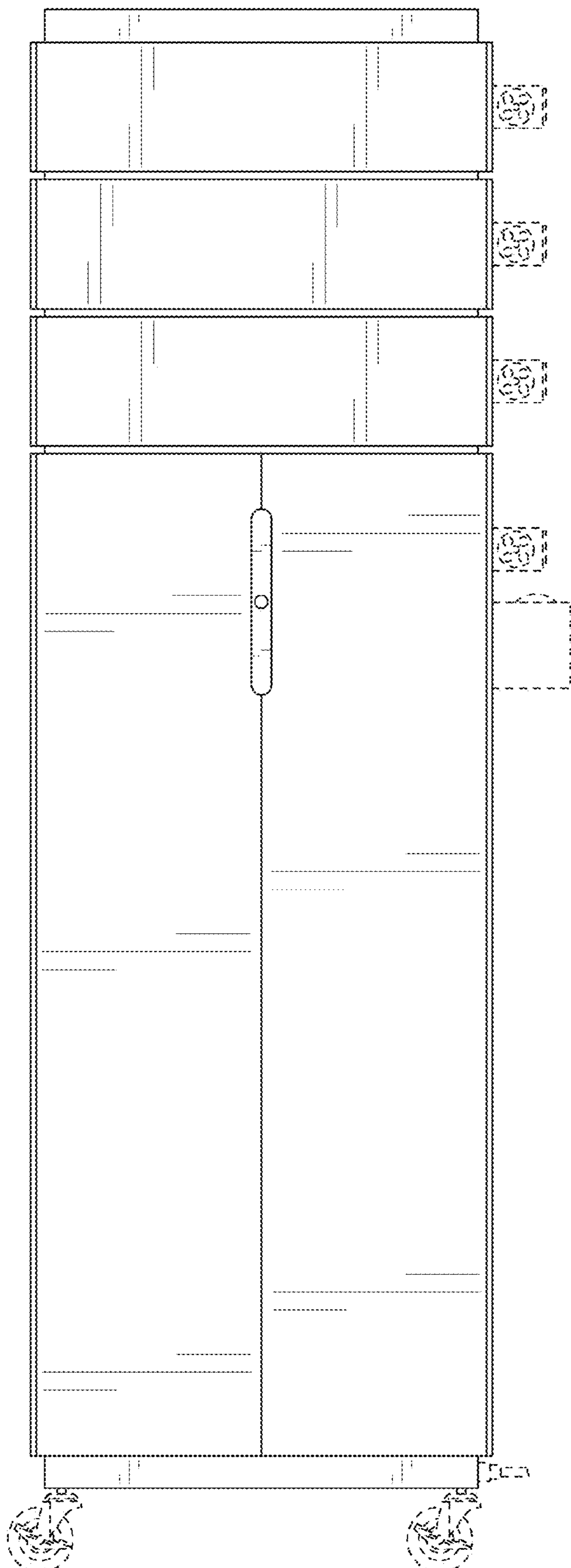


FIG. 5

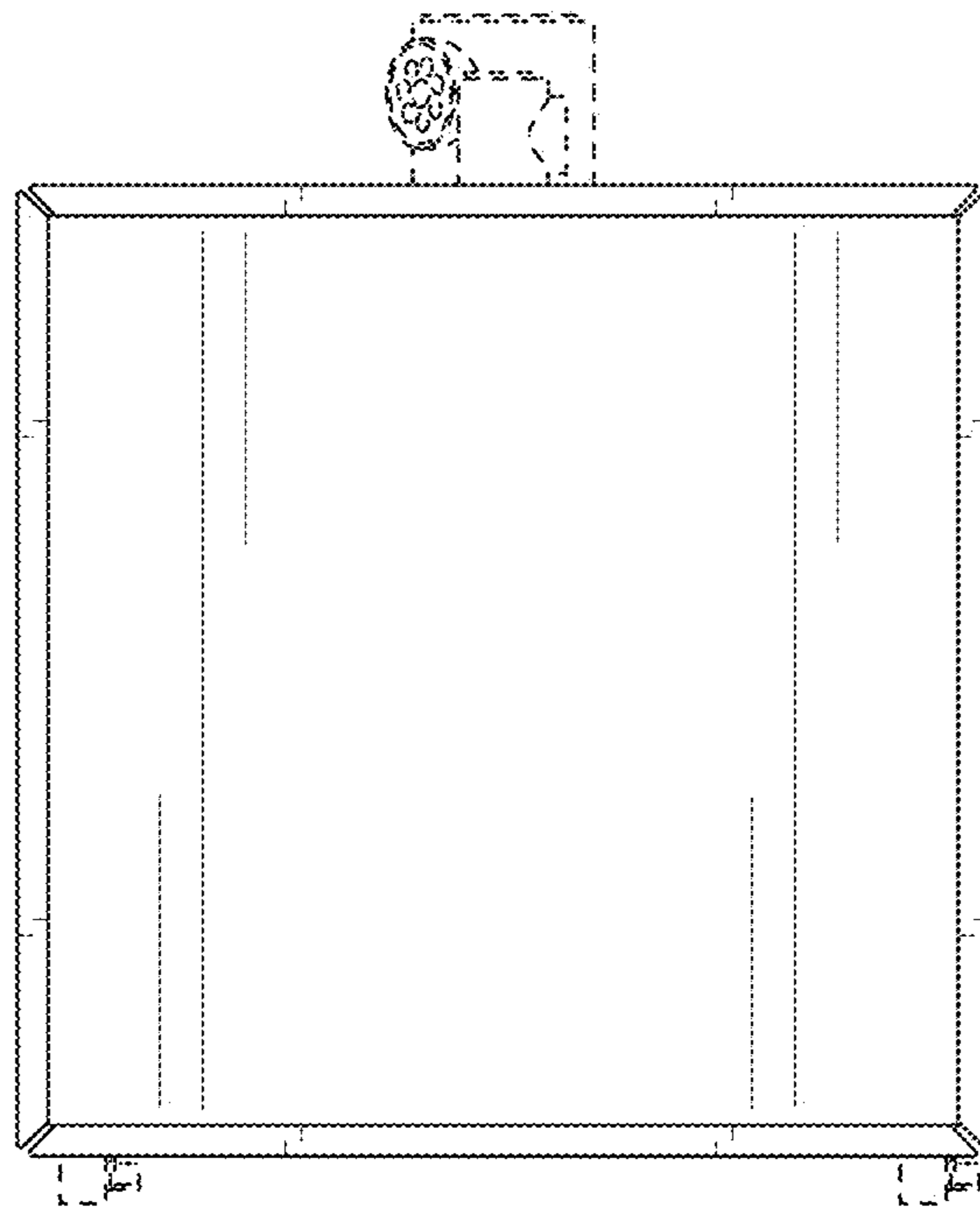


FIG. 6

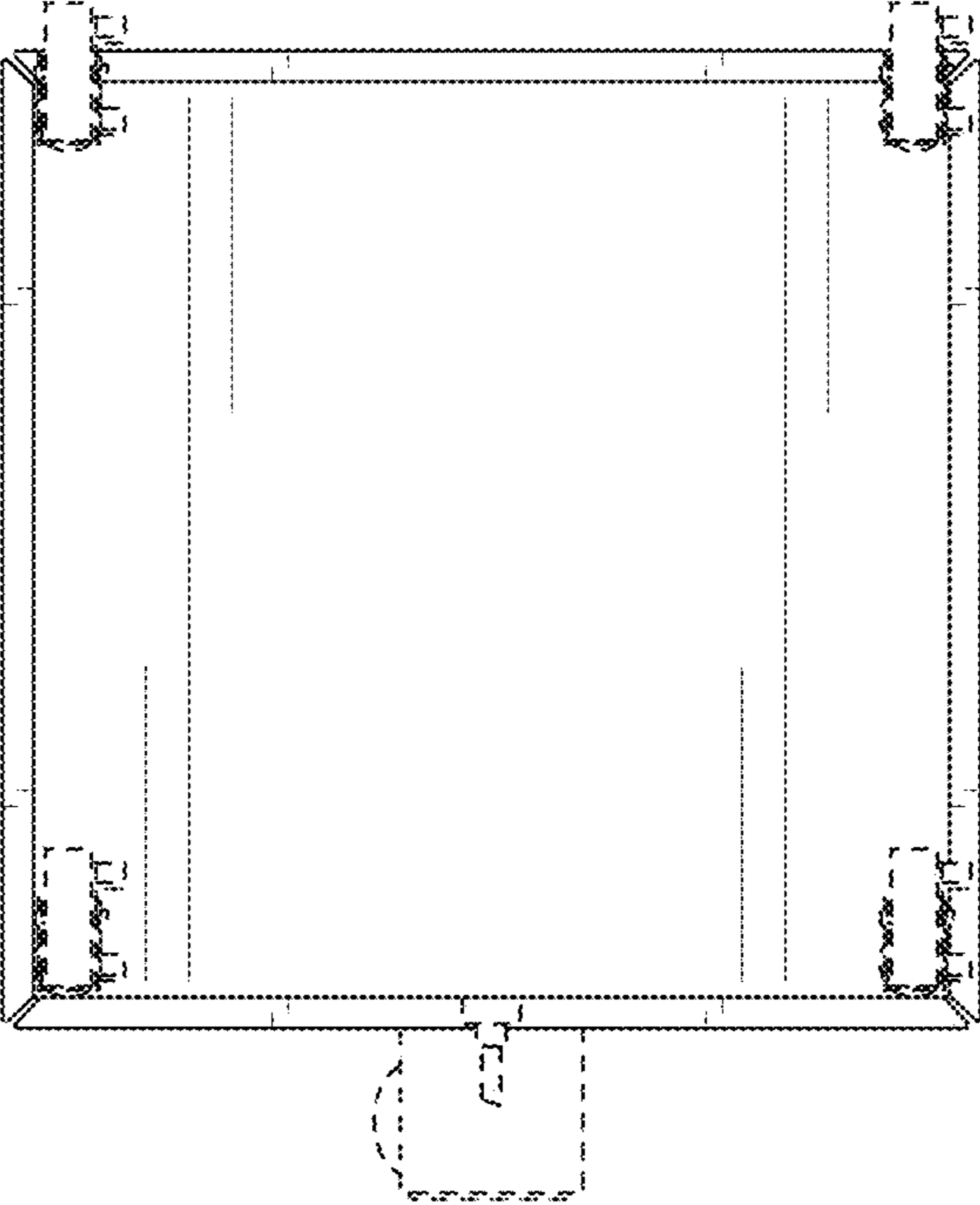


FIG. 7

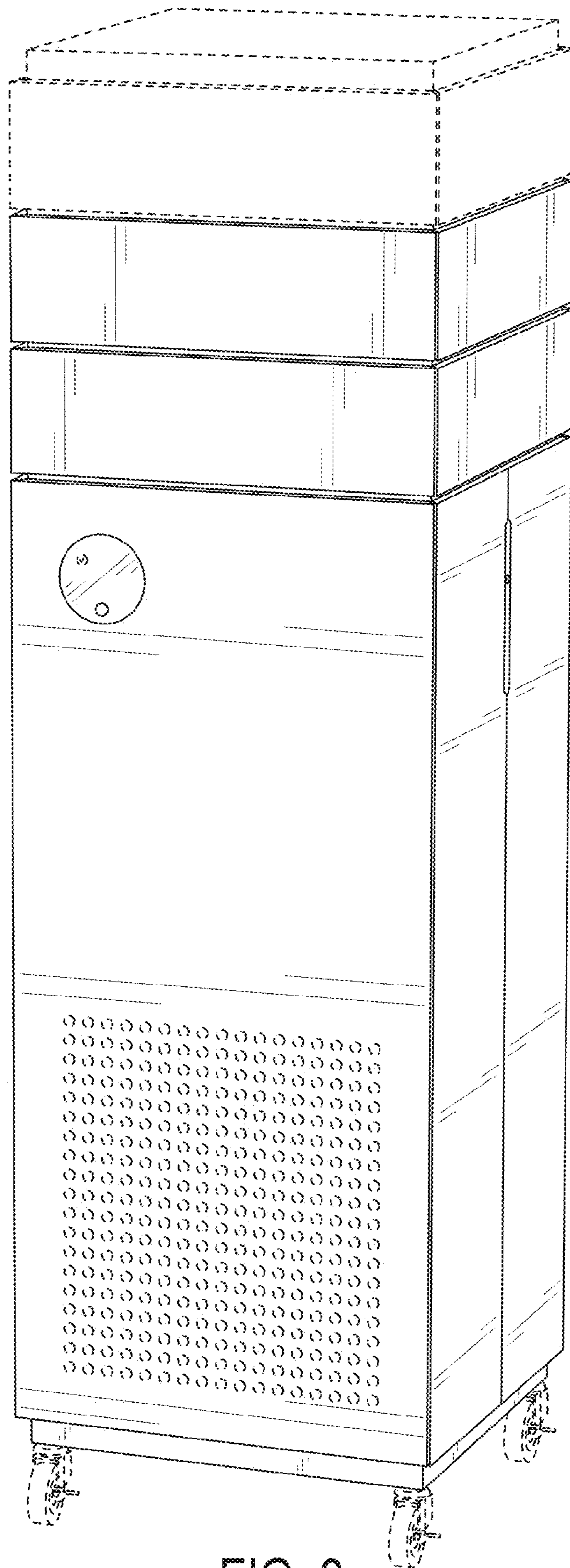


FIG. 8

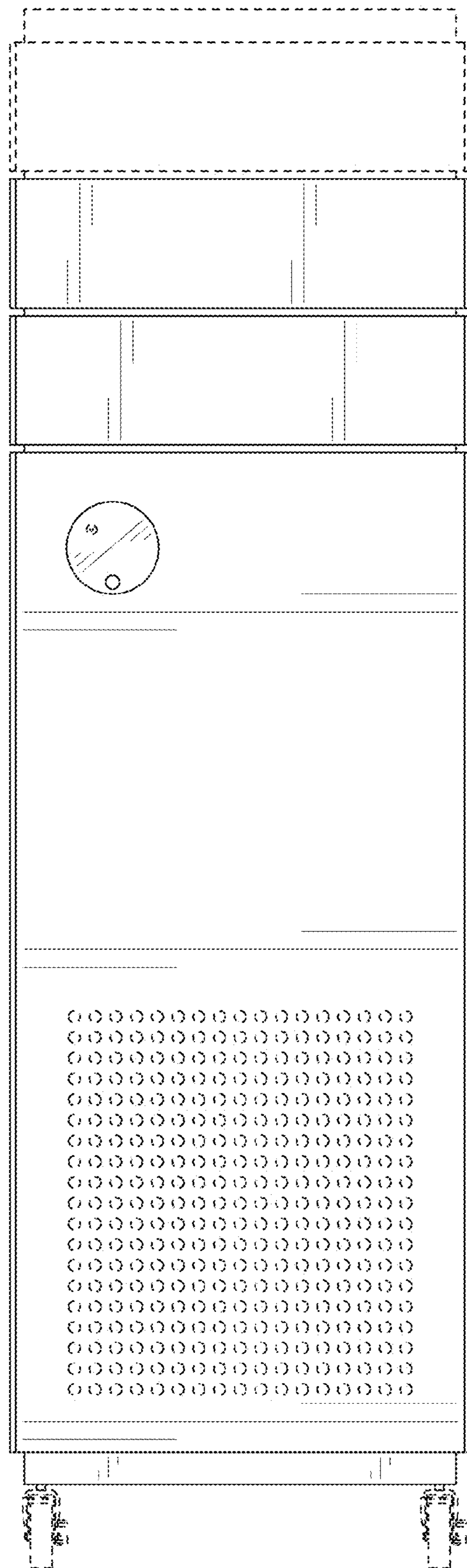


FIG. 9

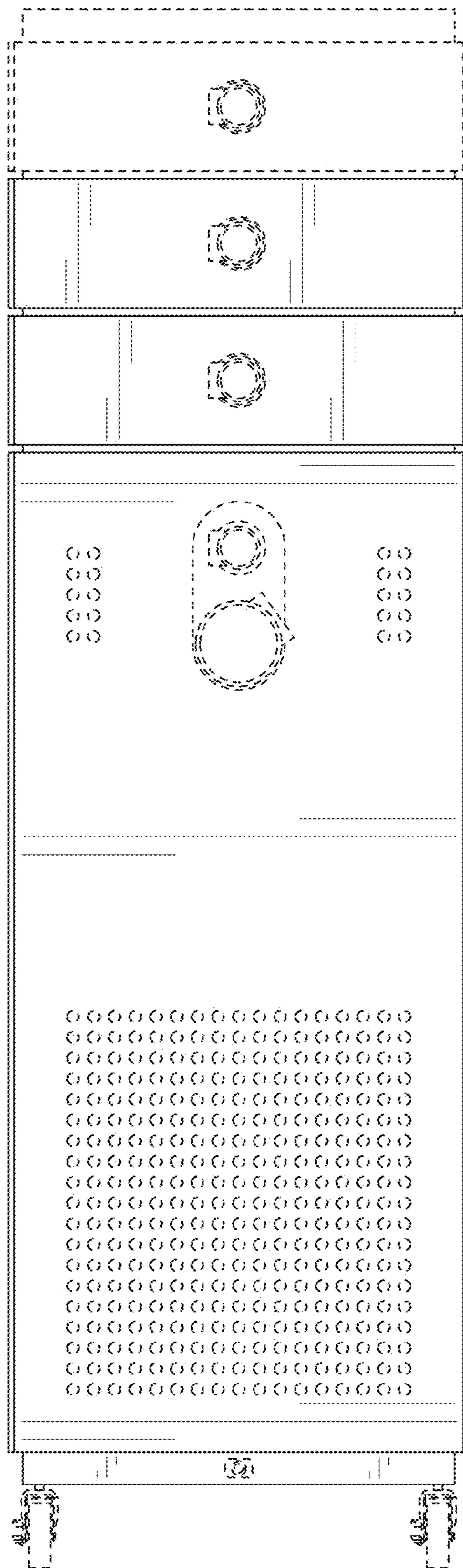


FIG. 10

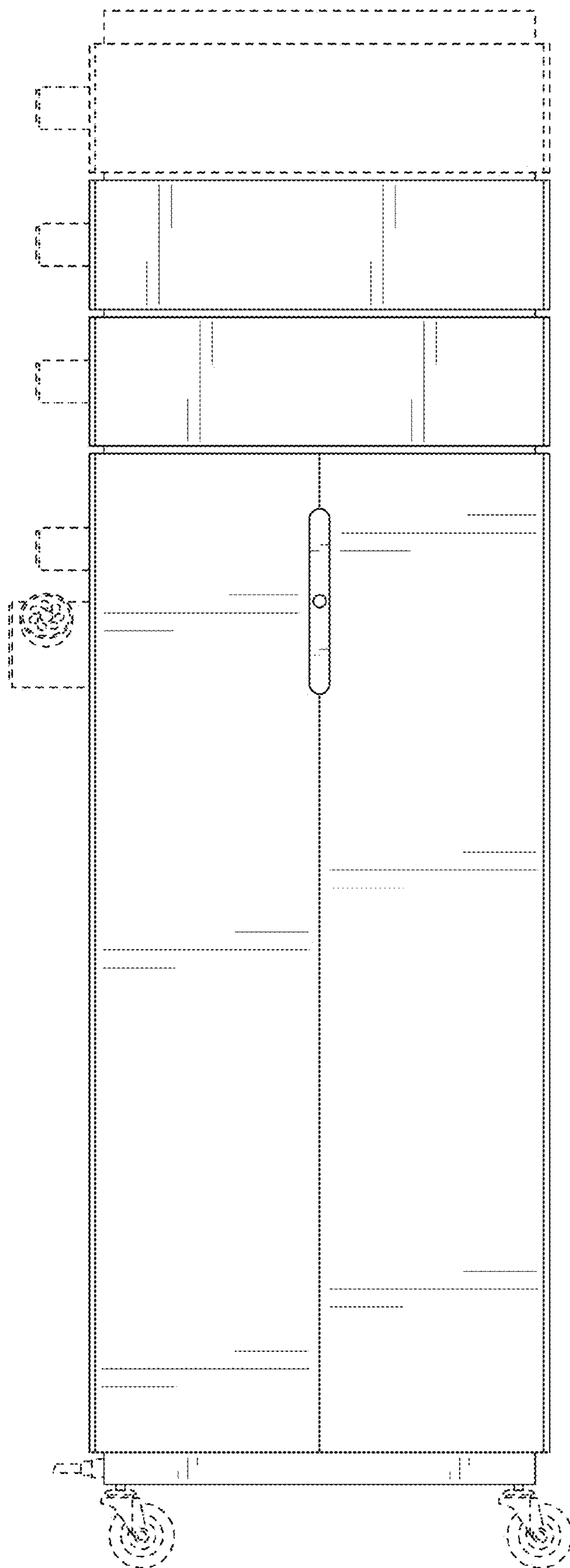


FIG. 11

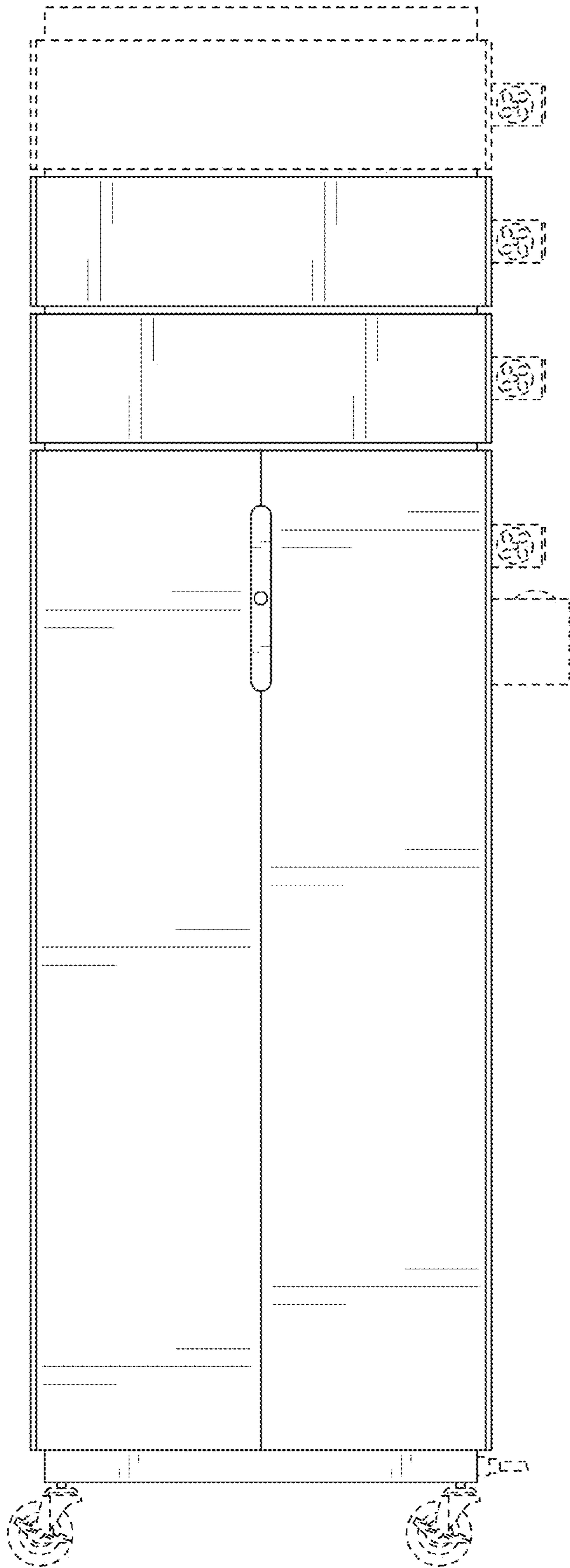


FIG. 12

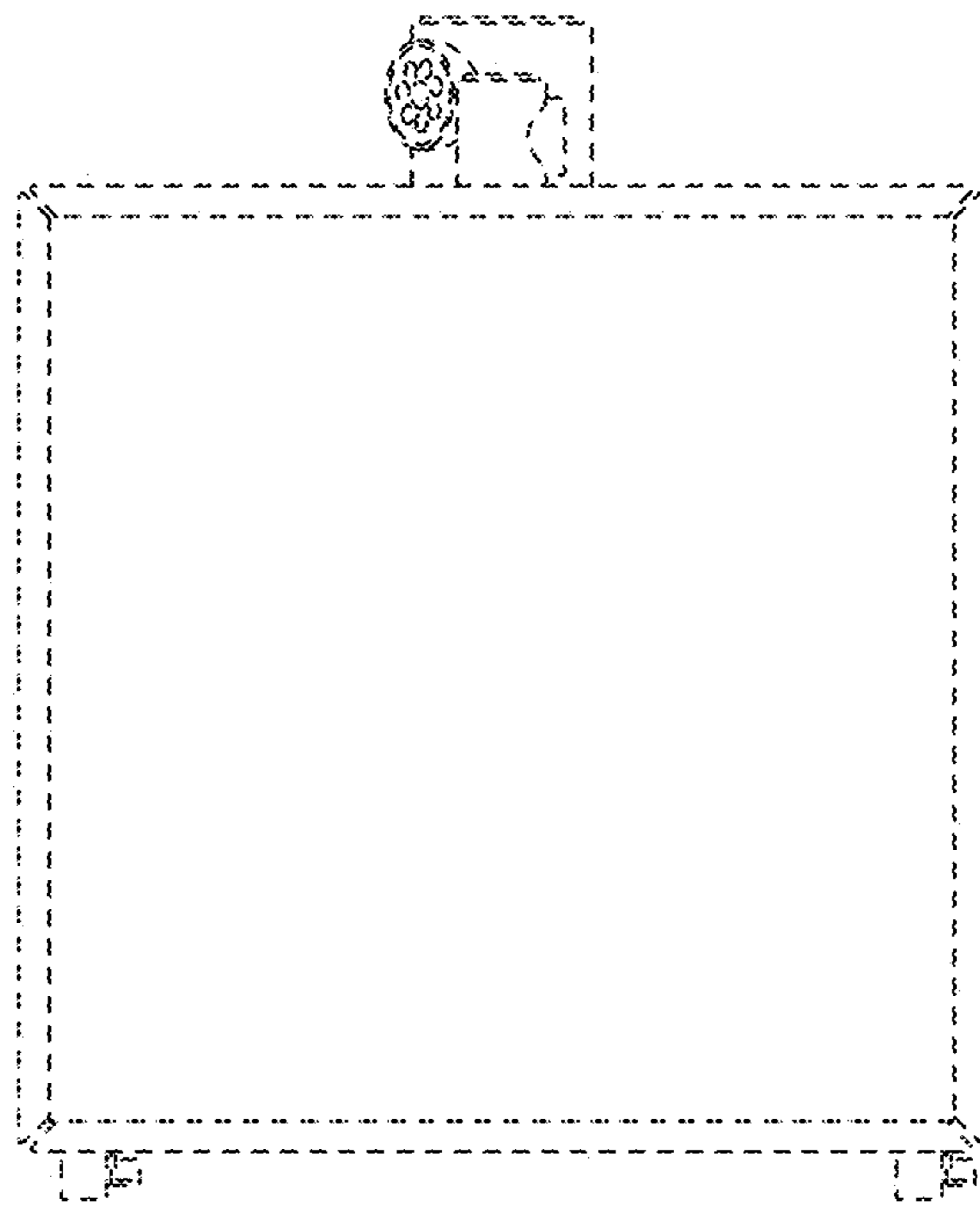


FIG. 13

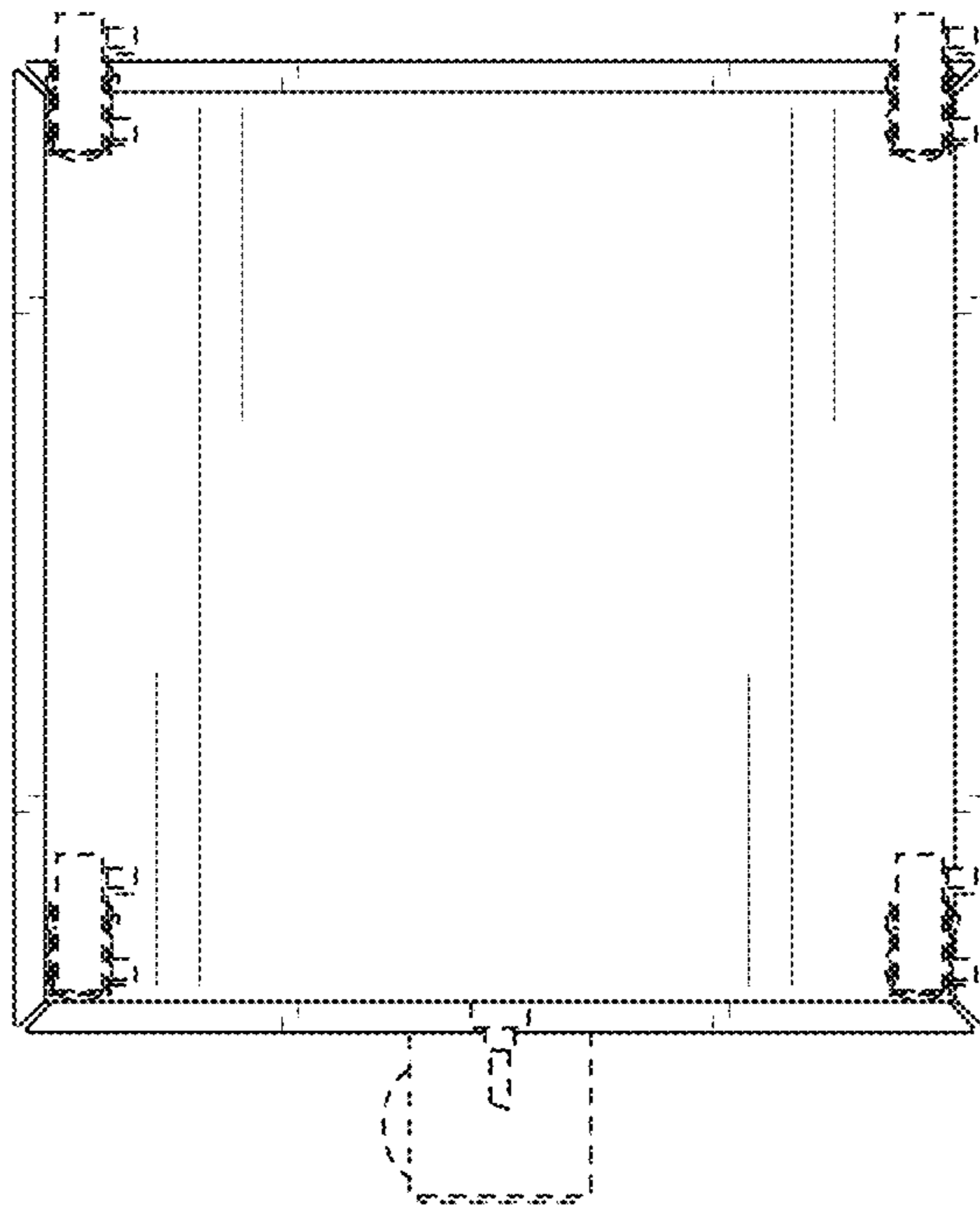


FIG. 14

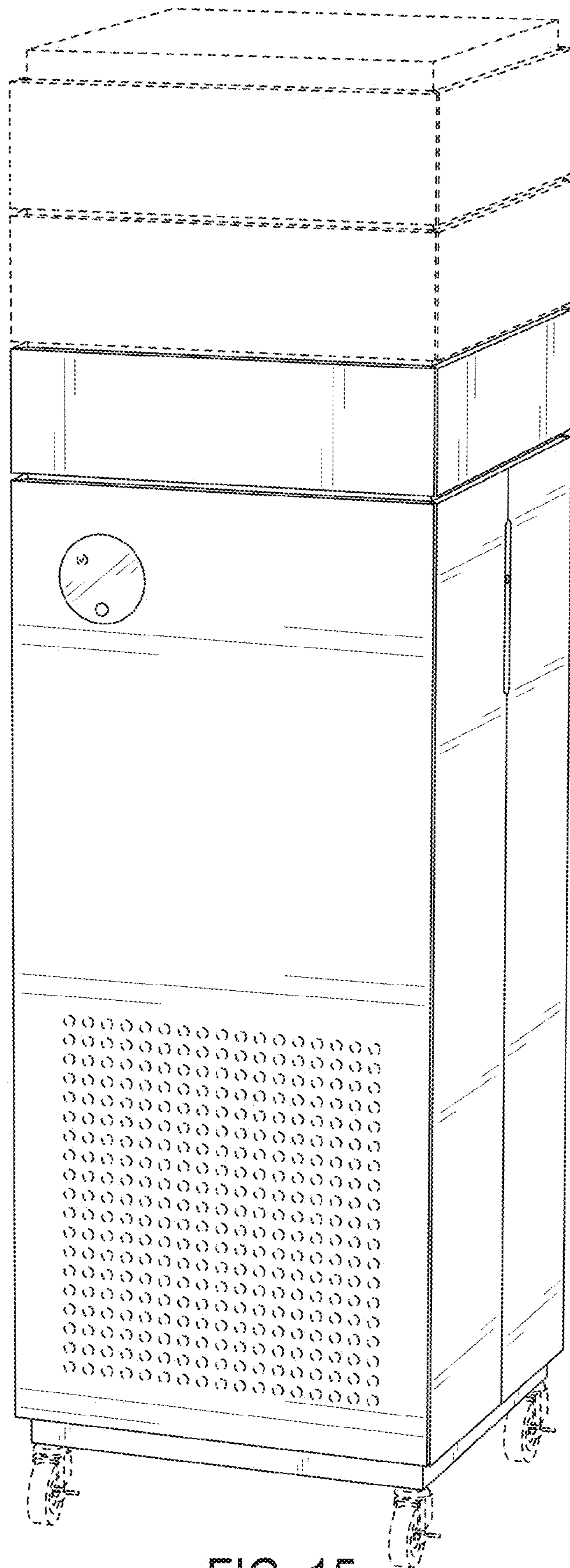


FIG. 15

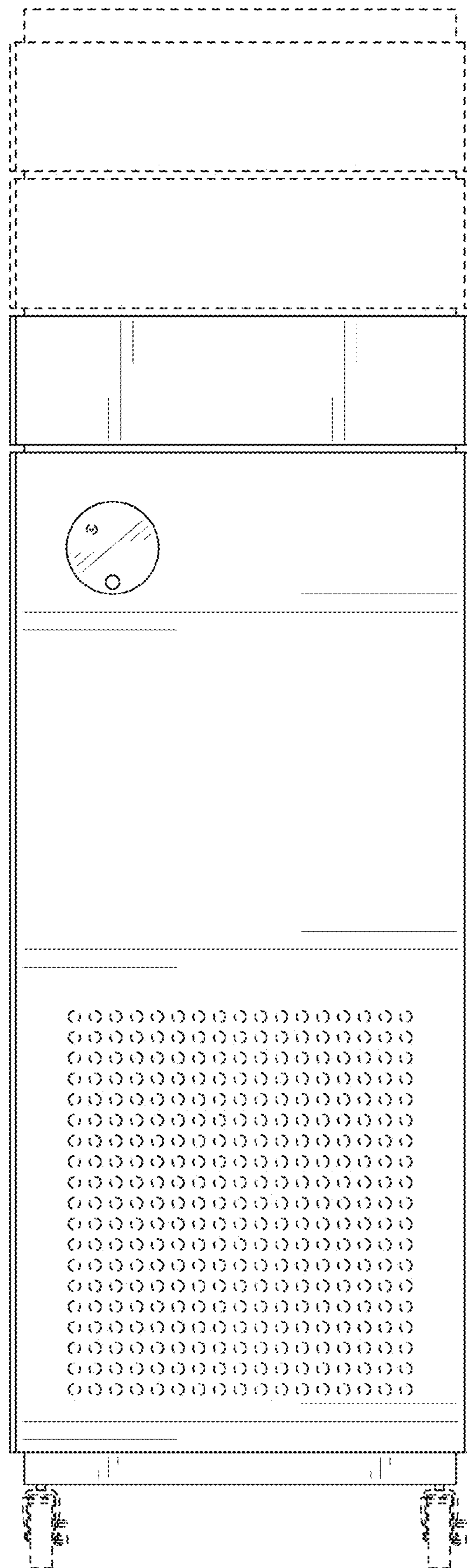


FIG. 16

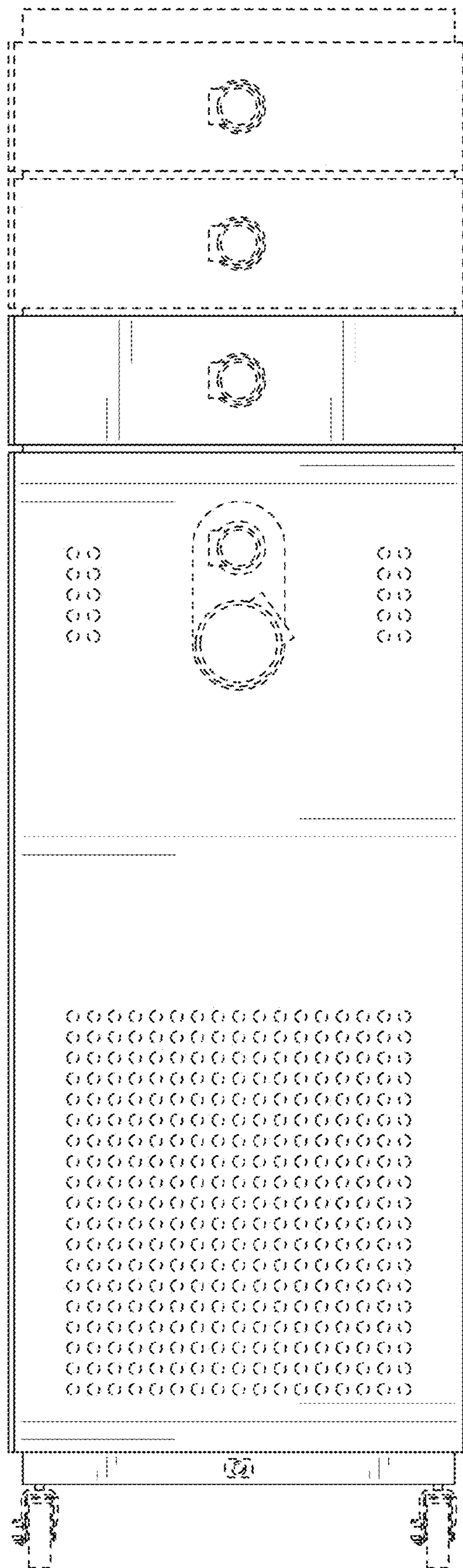


FIG. 17

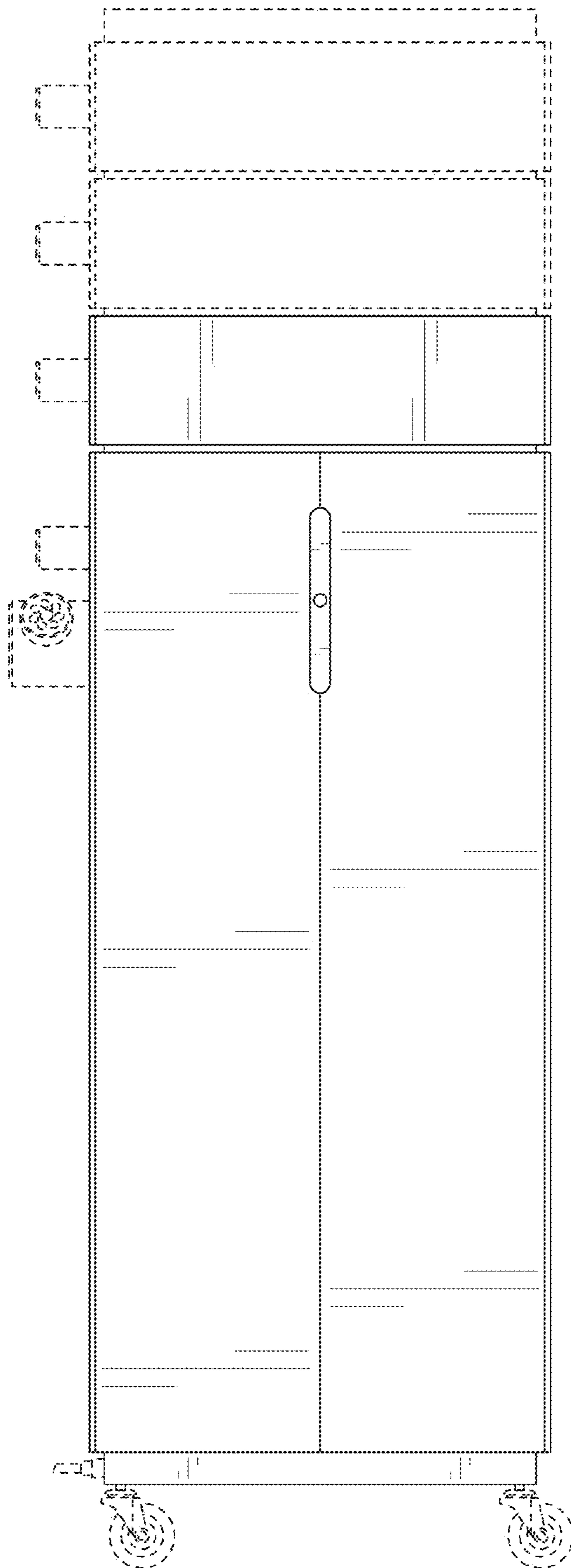


FIG. 18

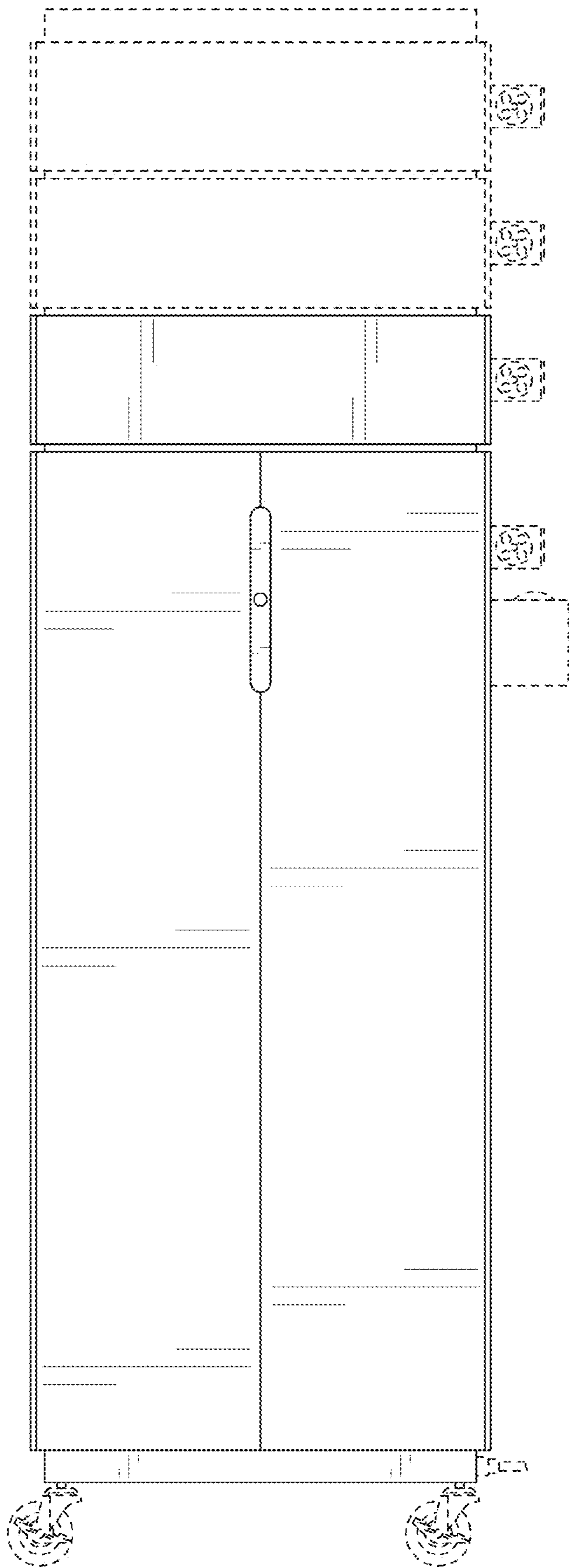


FIG. 19

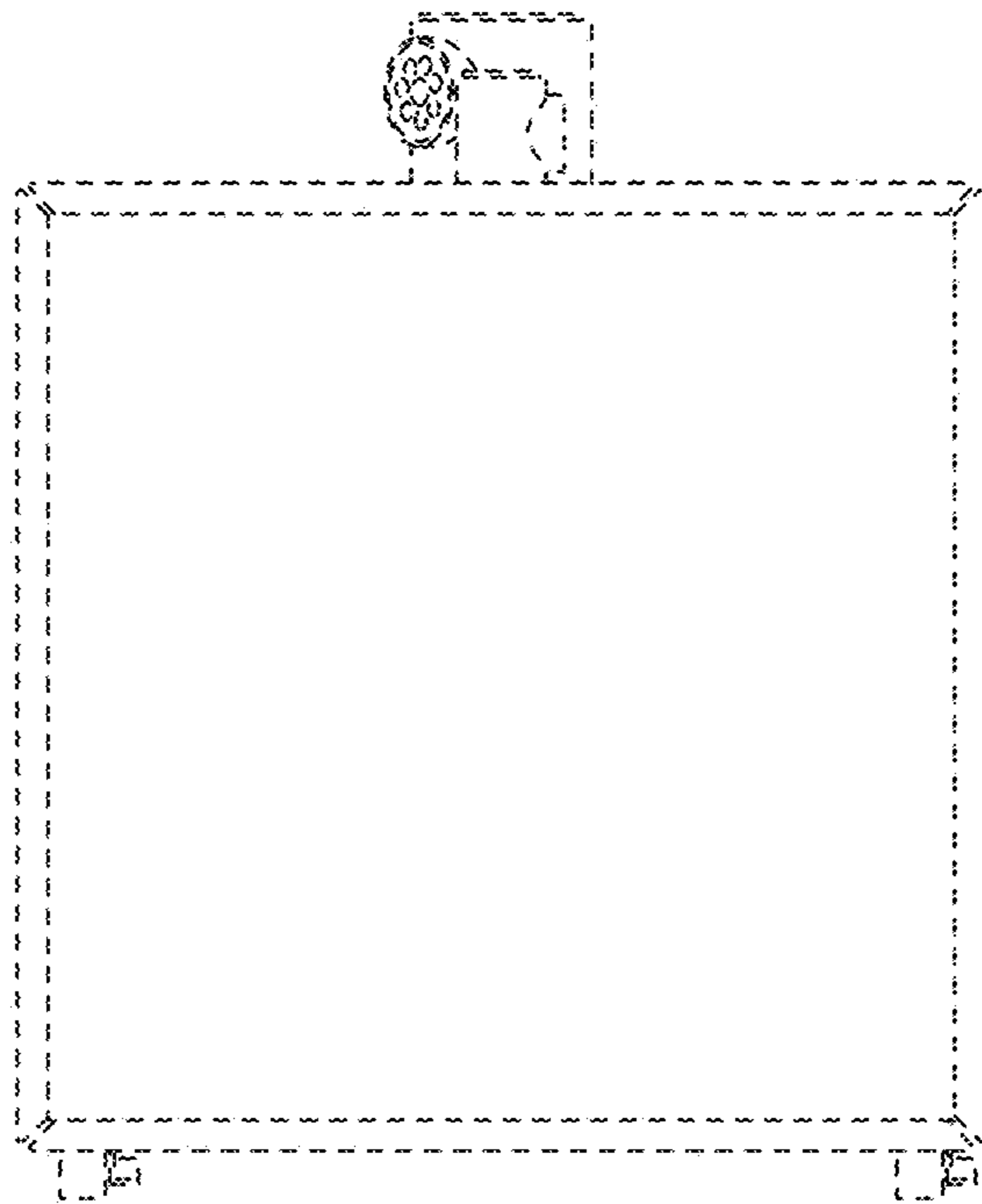


FIG. 20

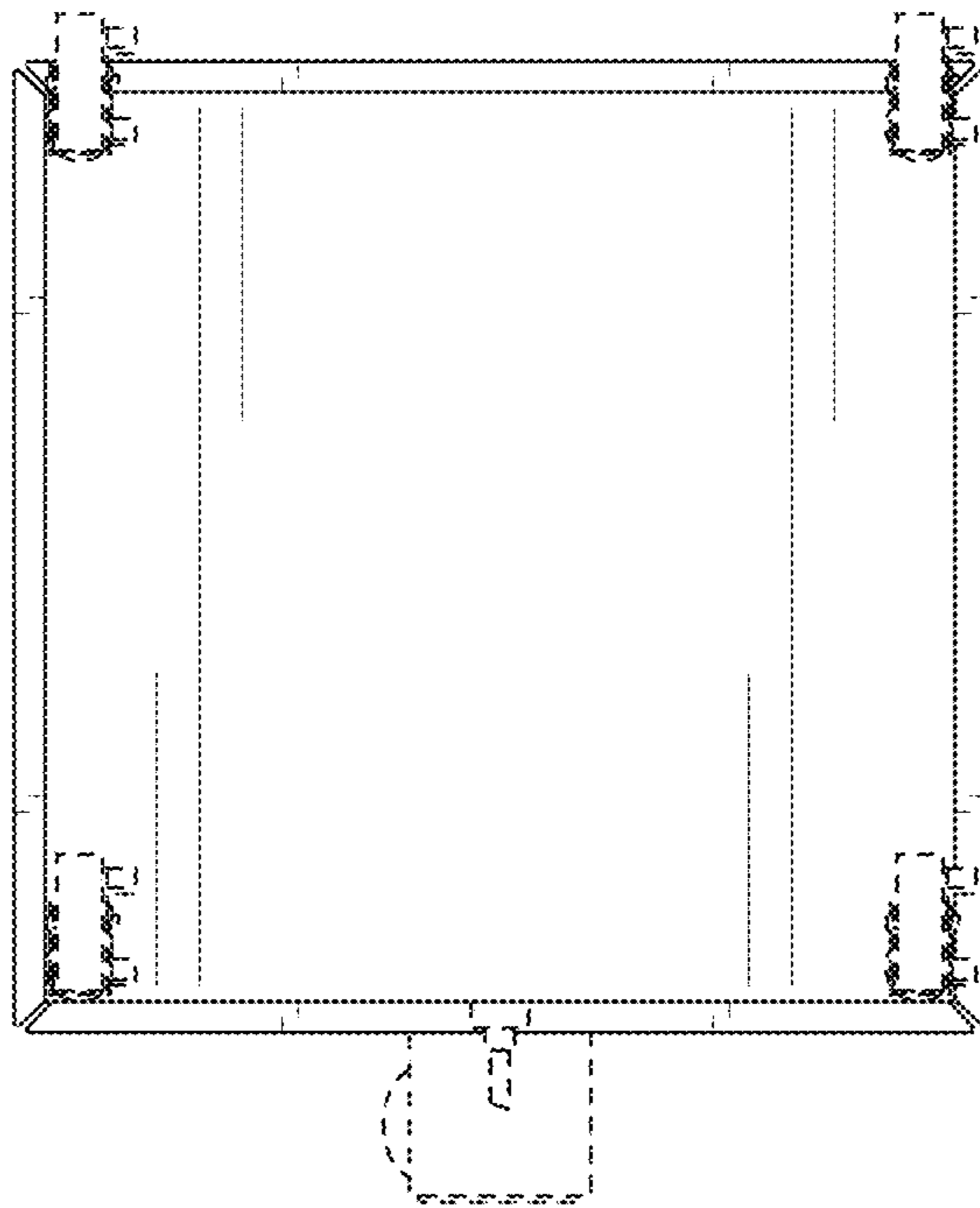


FIG. 21