



US00D903727S

(12) **United States Design Patent** (10) **Patent No.:** **US D903,727 S**
Adjabeng et al. (45) **Date of Patent:** **** Dec. 1, 2020**

(54) **LARGE SCALE CHILLER**

FOREIGN PATENT DOCUMENTS

(71) Applicant: **Ecodyst, Inc.**, Apex, NC (US)

WO WO 2011/151484 A1 12/2011
WO WO 2016/086101 6/2016

(72) Inventors: **George Adjabeng**, Cary, NC (US);
Kwabena Williams, Durham, NC (US)

(Continued)

(73) Assignee: **Ecodyst, Inc.**, Apex, NC (US)

OTHER PUBLICATIONS

(**) Term: **15 Years**

International Search Report and Written Opinion for PCT/US2018/025812 dated Jun. 11, 2018.

(21) Appl. No.: **29/637,487**

(Continued)

(22) Filed: **Feb. 19, 2018**

Primary Examiner — Khawaja Anwar

(51) **LOC (12) Cl.** **15-07**

(74) *Attorney, Agent, or Firm* — Jenkins, Wilson, Taylor & Hunt, P.A.

(52) **U.S. Cl.**
USPC **D15/79**

(58) **Field of Classification Search**
USPC D15/79-91; D7/368, 669, 603, 605, 300
CPC .. F25J 2220/02; F25J 2270/902; F25J 3/0209;
F25J 3/061; F25J 1/0065; F25J 1/0245;
F25J 1/0269; F25J 1/0294; F25J 1/0298;
F25J 2270/912; F25D 17/02; F25D
19/006; F25D 19/00; F25D 2201/12;
F25D 2317/063; F25D 23/028; F25D
23/069; F25D 23/087; F25D 25/02

(57) **CLAIM**

The ornamental design for a large scale chiller, as shown and described.

See application file for complete search history.

DESCRIPTION

(56) **References Cited**

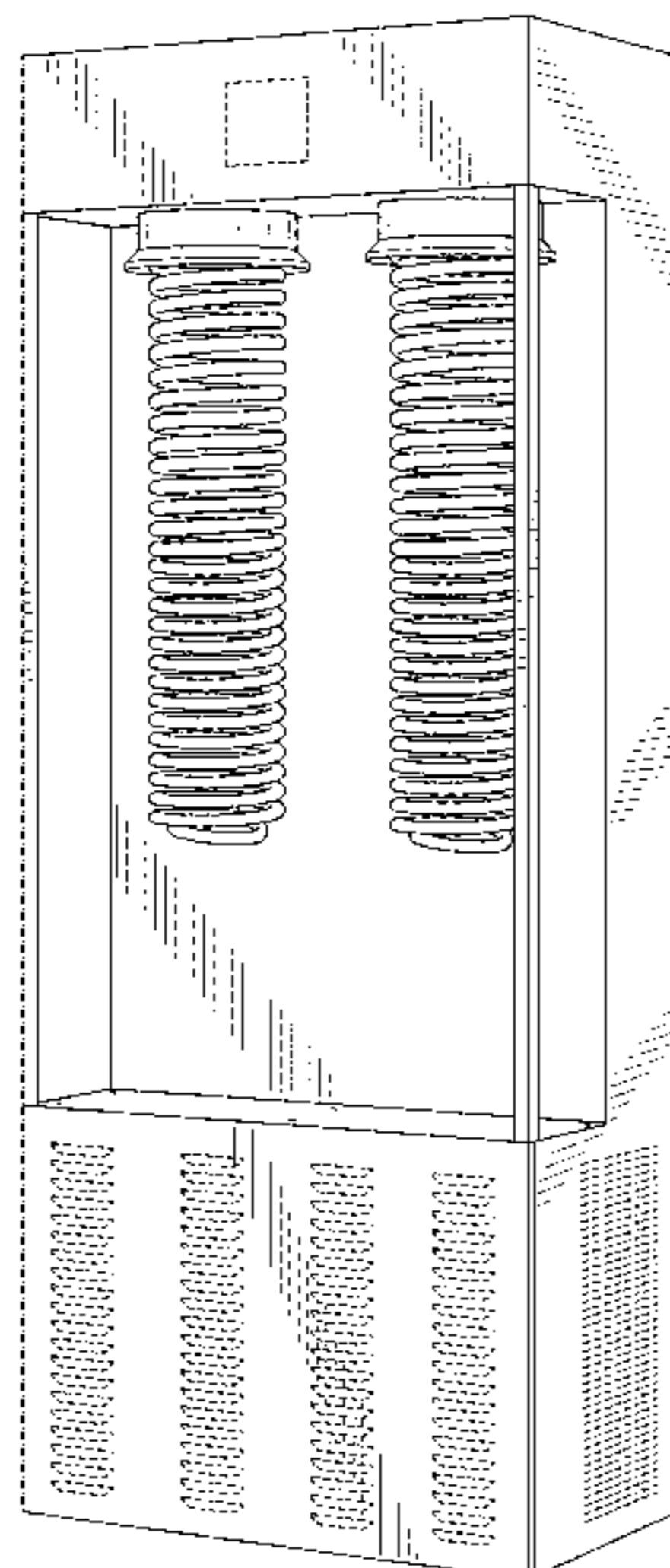
FIG. 1 is a front perspective view of the large scale chiller showing our design;
FIG. 2 is a front elevation view of the chiller of FIG. 1;
FIG. 3 is a rear elevation view of the chiller of FIG. 1;
FIG. 4 is a top plan view of the chiller of FIG. 1;
FIG. 5 is a bottom plan view of the chiller of FIG. 1;
FIG. 6 is a right side elevation view of the chiller of FIG. 1;
FIG. 7 is a left side elevation view of the chiller of FIG. 1;
and,
FIG. 8 is a front perspective view of the chiller of FIG. 1, and showing attached condenser glassware and condenser components in broken lines.
The broken/dotted lines are for illustrative purposes only with respect to the environment and form no part of the claimed design.

U.S. PATENT DOCUMENTS

D83,687 S * 3/1931 Macready D7/306
2,128,784 A * 8/1938 Tull F25D 17/02
62/376
2,566,865 A * 9/1951 Wingerter F25D 15/00
62/201
D328,995 S * 9/1992 Verheijen D7/307
5,176,799 A 1/1993 Roe et al.
D344,527 S * 2/1994 Drago D15/79
5,340,444 A * 8/1994 van der Heijden B01D 3/10
202/183
D358,290 S * 5/1995 Schroeder D7/309
5,916,351 A * 6/1999 Sintchak A47J 31/4403
99/279

(Continued)

1 Claim, 7 Drawing Sheets



(56)

References Cited

U.S. PATENT DOCUMENTS

D600,492 S * 9/2009 Hammad D7/306
 D669,154 S * 10/2012 Choi D23/207
 8,563,844 B2 10/2013 Gray et al.
 8,564,129 B2 10/2013 Therrien et al.
 8,893,513 B2 11/2014 June et al.
 8,901,612 B2 12/2014 Gray et al.
 8,991,194 B2 3/2015 Edwards et al.
 9,005,403 B2 4/2015 Adjabeng
 D735,527 S * 8/2015 Palermo D7/309
 D750,209 S * 2/2016 Satou D23/364
 D760,305 S * 6/2016 Salin D15/82
 D803,276 S * 11/2017 Adjabeng D15/79
 10,307,688 B2 * 6/2019 Adjabeng B01D 3/085
 D860,268 S * 9/2019 Jakobsen D15/81
 2011/0073459 A1 3/2011 Adjabeng
 2012/0085635 A1 4/2012 Haynes
 2016/0146519 A1 * 5/2016 Ito F28D 1/05383
 62/498
 2020/0016506 A1 1/2020 Adjabeng

FOREIGN PATENT DOCUMENTS

WO WO 2016/201223 A1 12/2016
 WO WO 2018/187276 A1 10/2018

OTHER PUBLICATIONS

Notice of Publication corresponding to European Patent Application
 No. 18781689.7 dated Jan. 15, 2020.
 Notice of Publication corresponding to U.S. Appl. No. 16/489,603
 dated Jan. 16, 2020.
 Office Action (Restriction Requirement) corresponding to U.S.
 Appl. No. 16/489,603 dated May 13, 2020.

* cited by examiner

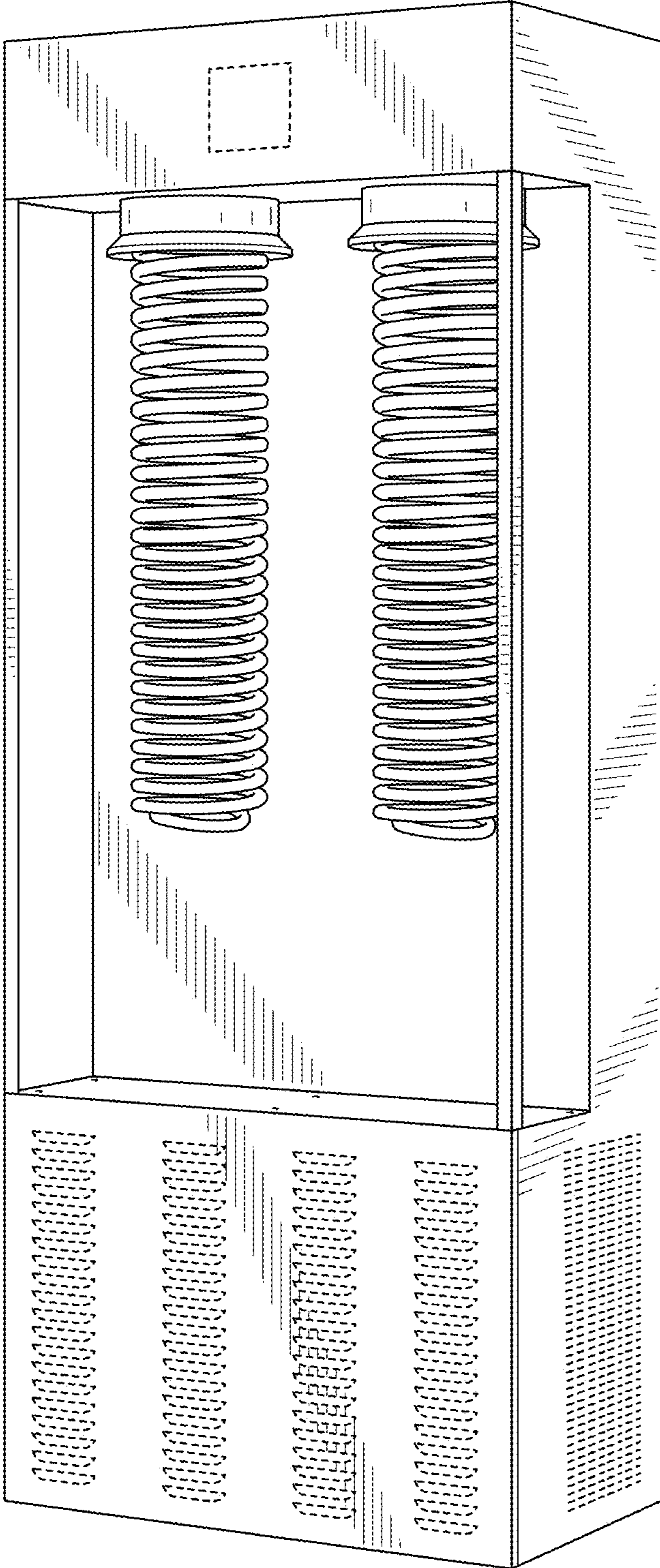


FIG. 1

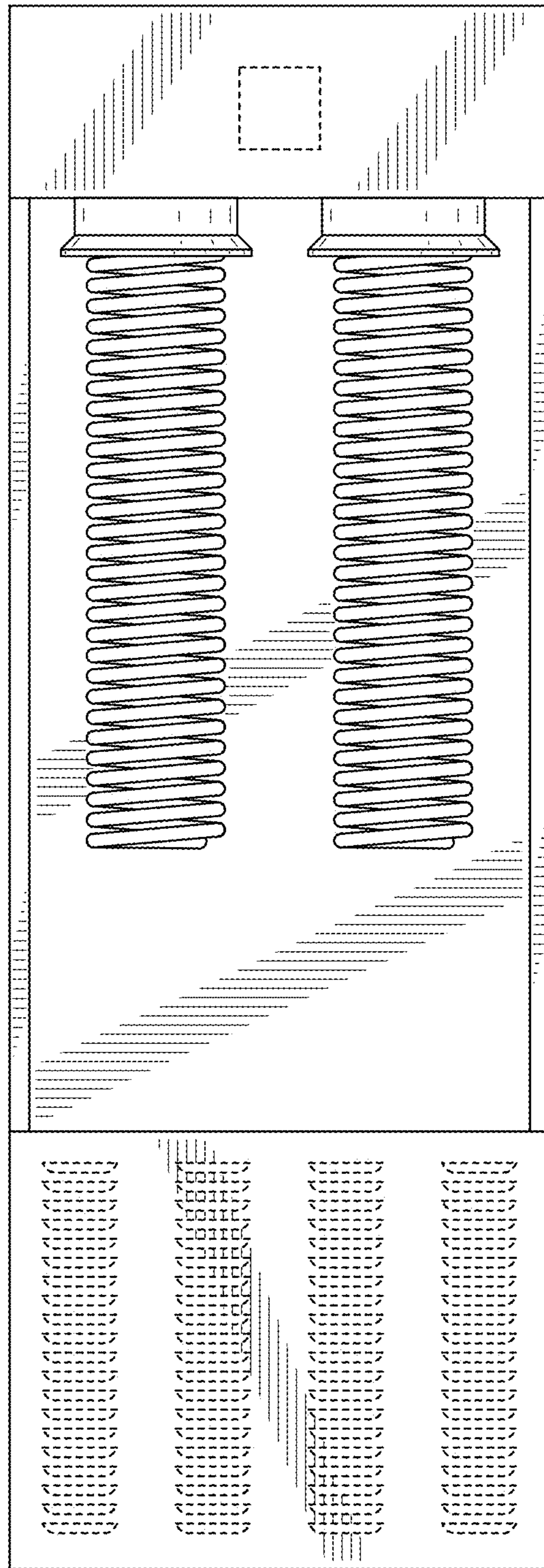


FIG. 2

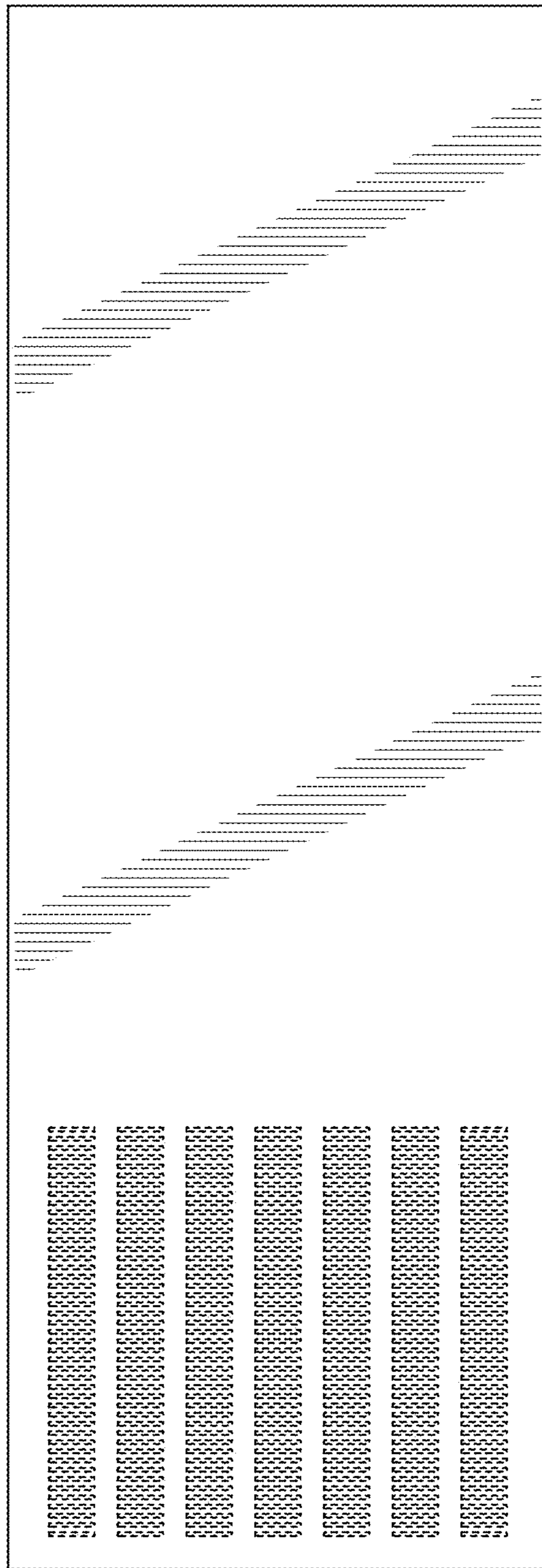


FIG. 3

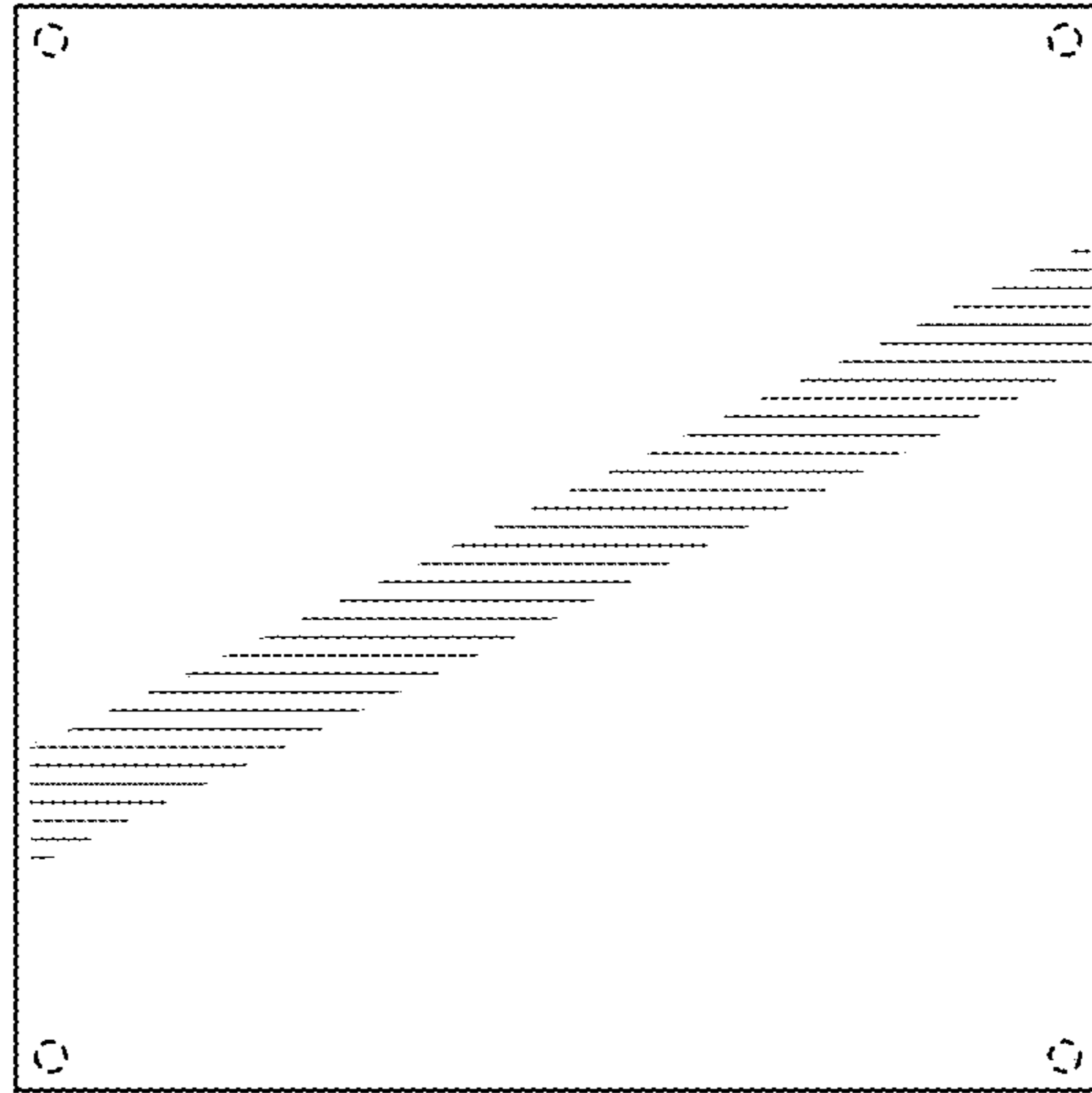


FIG. 4

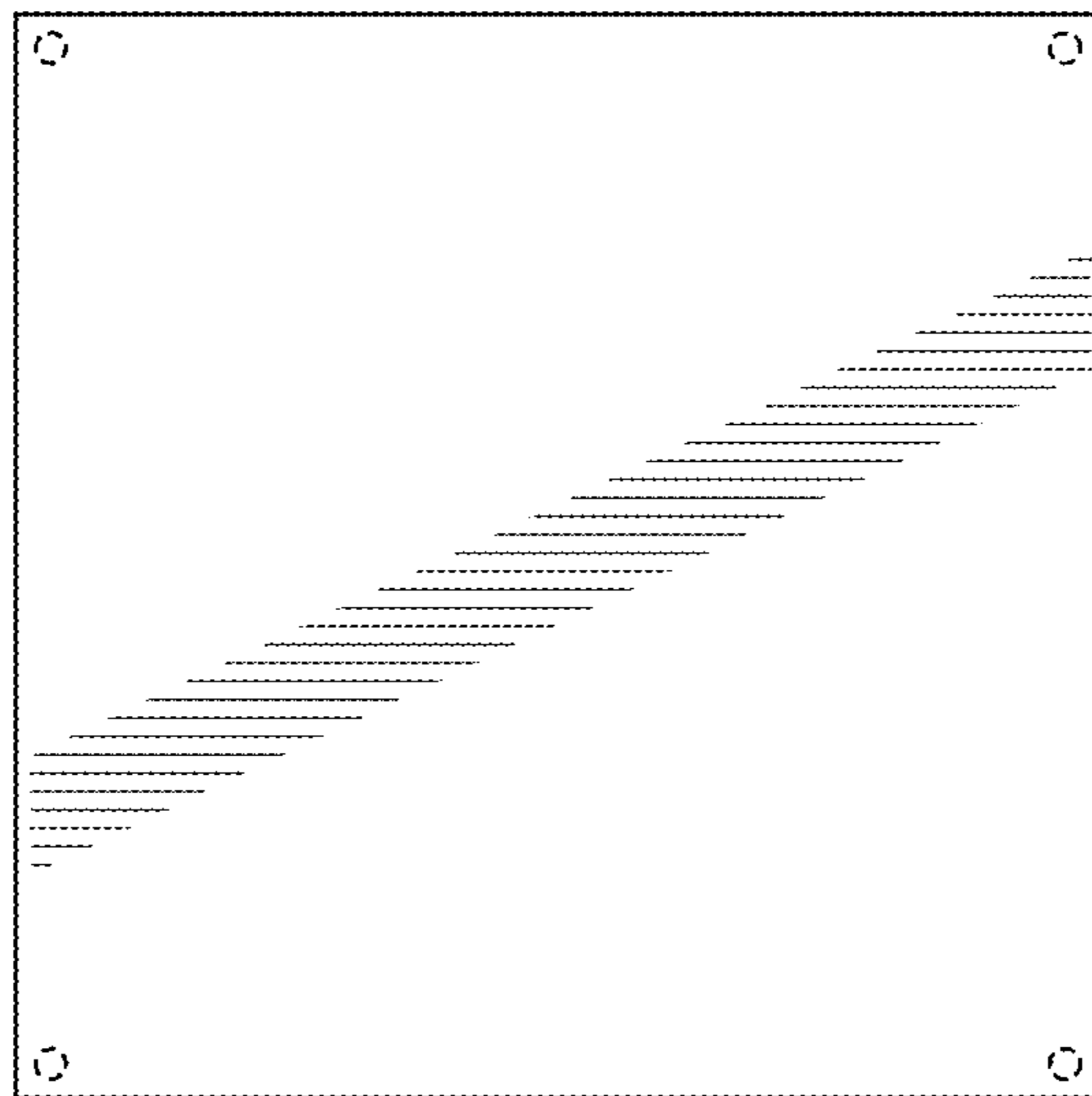


FIG. 5

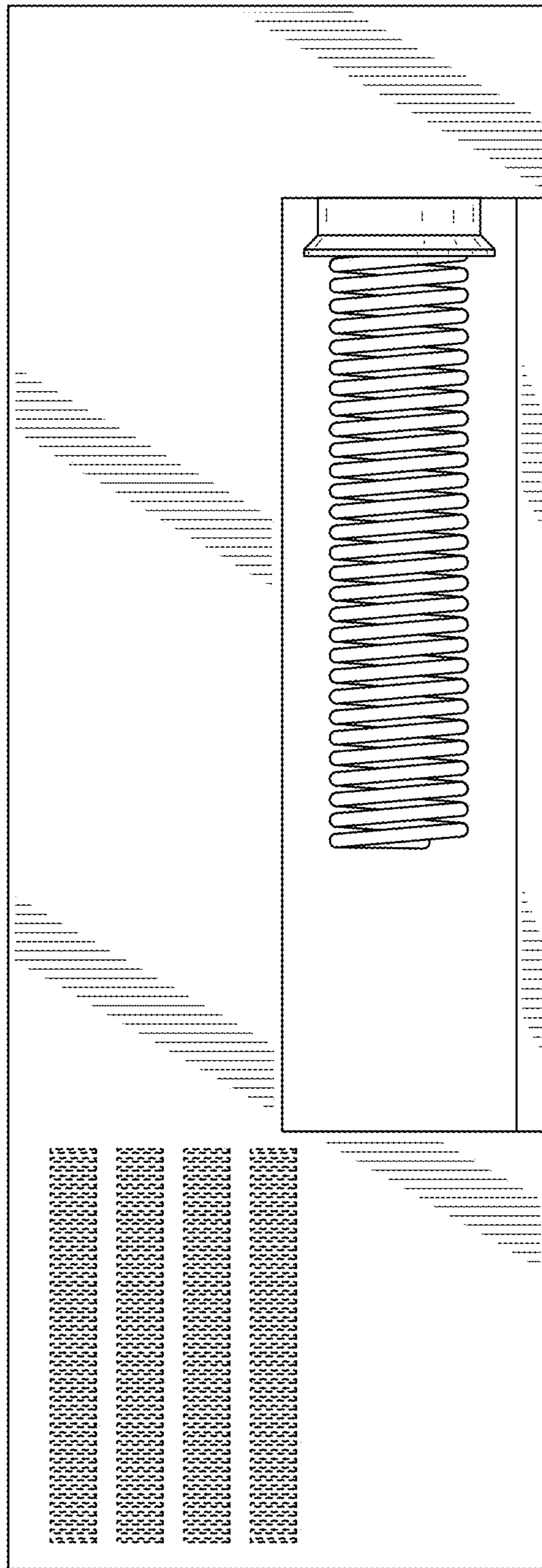


FIG. 6

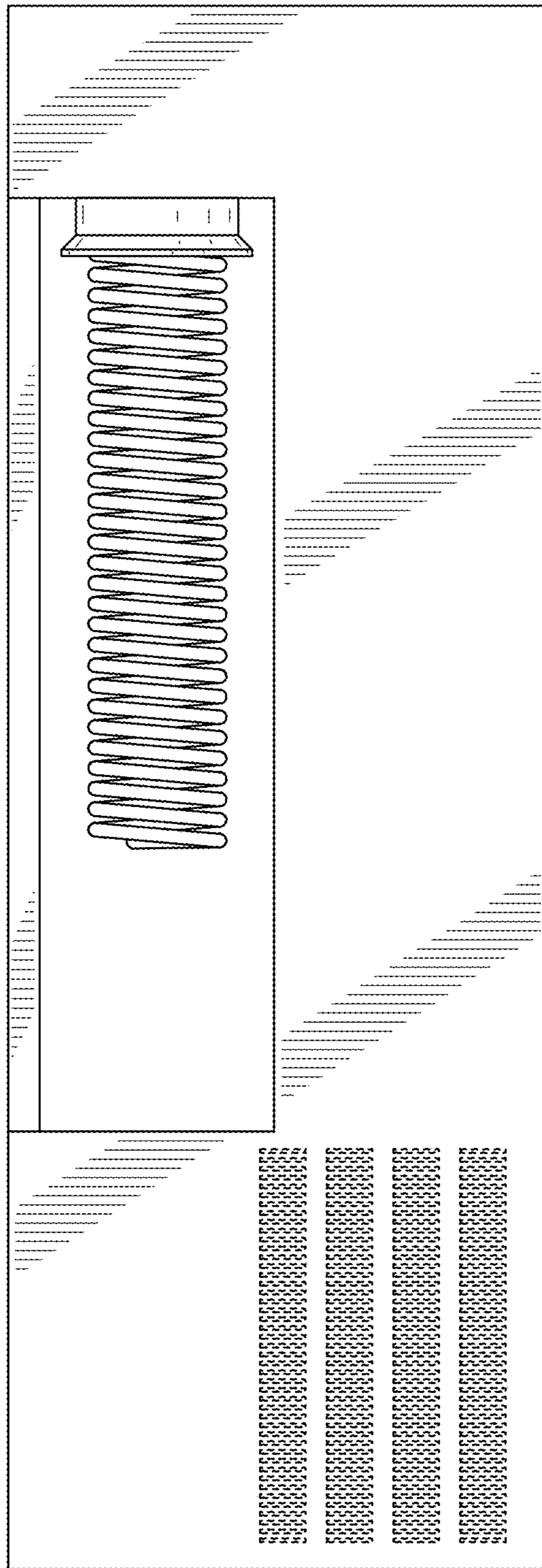


FIG. 7

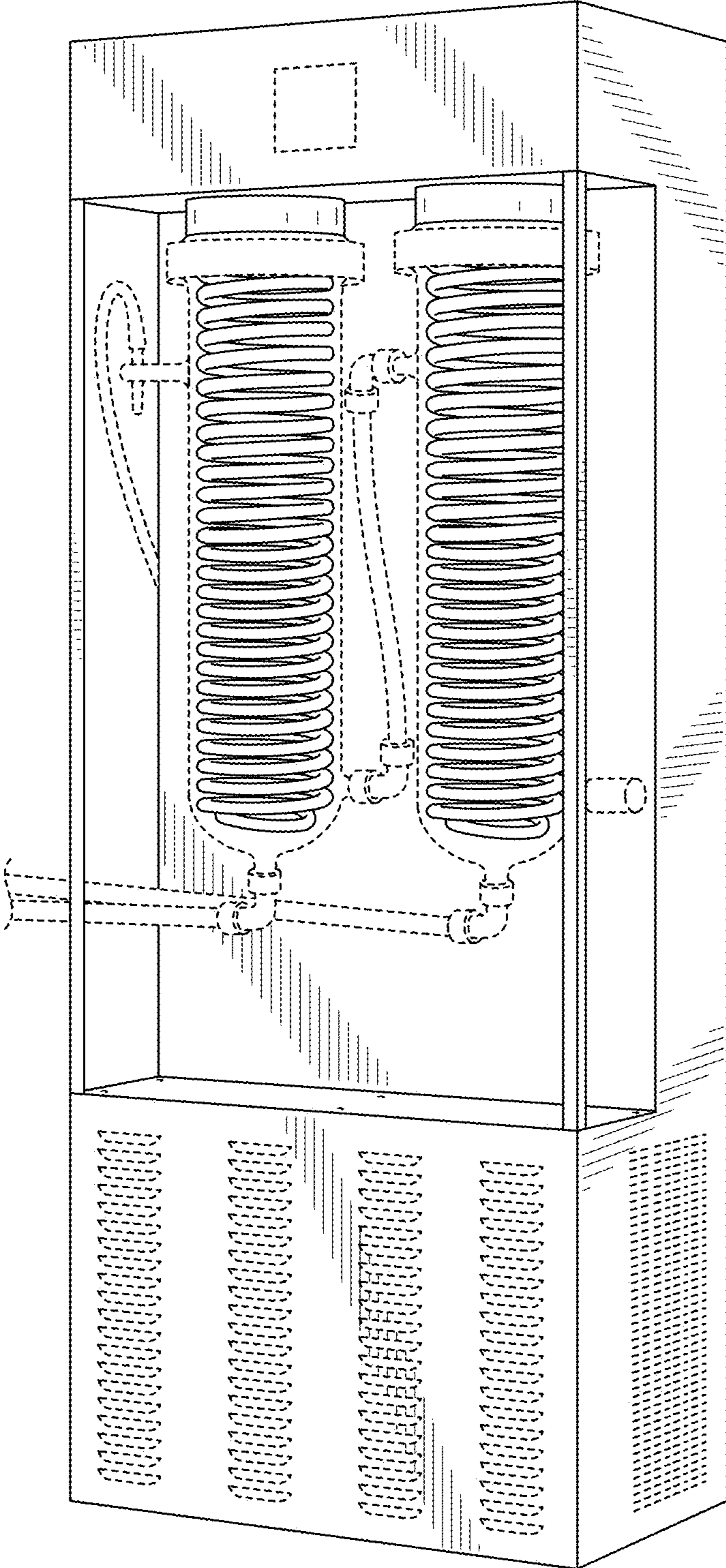


FIG. 8