



US00D903726S

(12) **United States Design Patent** (10) **Patent No.:** **US D903,726 S**
Moore et al. (45) **Date of Patent:** **** Dec. 1, 2020**

(54) **HOOD FOR TURF MAINTENANCE VEHICLE**

FOREIGN PATENT DOCUMENTS

WO 2017214467 12/2017

(71) Applicant: **Exmark Manufacturing Company, Incorporated**, Beatrice, NE (US)

OTHER PUBLICATIONS

(72) Inventors: **Nickolas T. Moore**, Beatrice, NE (US); **Christian Stanton Carver Bryant**, Lincoln, NE (US); **Lloyd von Scheliha**, Lincoln, NE (US); **Patrick Sands**, Firth, NE (US)

“FTX25 Footings Trencher,” Vermeer FTX25 Specification Sheet 2016 (2 pages).

(Continued)

(73) Assignee: **Exmark Manufacturing Company, Incorporated**, Beatrice, NE (US)

Primary Examiner — Mark A Goodwin

(74) *Attorney, Agent, or Firm* — Pauly, DeVries, Smith & Deffner LLC

(**) Term: **15 Years**

(57) **CLAIM**

(21) Appl. No.: **29/689,816**

The ornamental design for hood for turf maintenance vehicle, as shown and described.

(22) Filed: **May 2, 2019**

(51) **LOC (12) Cl.** **15-03**

(52) **U.S. Cl.**
USPC **D15/31**

DESCRIPTION

(58) **Field of Classification Search**
USPC D15/28, 22–26, 14–18, 31, 33; D12/181, D12/184, 196; 296/198; 280/160, 847, 280/154, 854; 180/68.1, 900, 69.21, 180/69.22, 69.23, 69.24, 69.25, 89.1, 180/69.2, 89.12, 89.19, 273, 68.6; 56/16.1, 13.3, 15.9, 16.7, 17.4, 202, 255, 56/320.1, 13.4, 15.8, 294, 320.2
CPC .. B62D 25/161; B62D 25/168; B62D 25/182; B62D 25/18; B62D 25/16
See application file for complete search history.

FIG. 1 is a front perspective view of a hood for turf maintenance vehicle showing our new design in its environmental use condition mounted on a turf maintenance vehicle.
FIG. 2 is a front perspective view thereof.
FIG. 3 is a front view thereof.
FIG. 4 is a right side view thereof. The left side view is a mirror image thereof; and,
FIG. 5 is a top view thereof.
The back view and bottom view have been omitted from the drawing disclosure and form no part of the claimed design. The broken line showing of the turf maintenance vehicle in FIG. 1 is included for the purpose of illustrating environmental structure only and forms no part of the claimed design. The broken line showing of the slots and the outer edge of the claim is included for illustrating portions of the hood for turf maintenance vehicle that form no part of the claimed design.

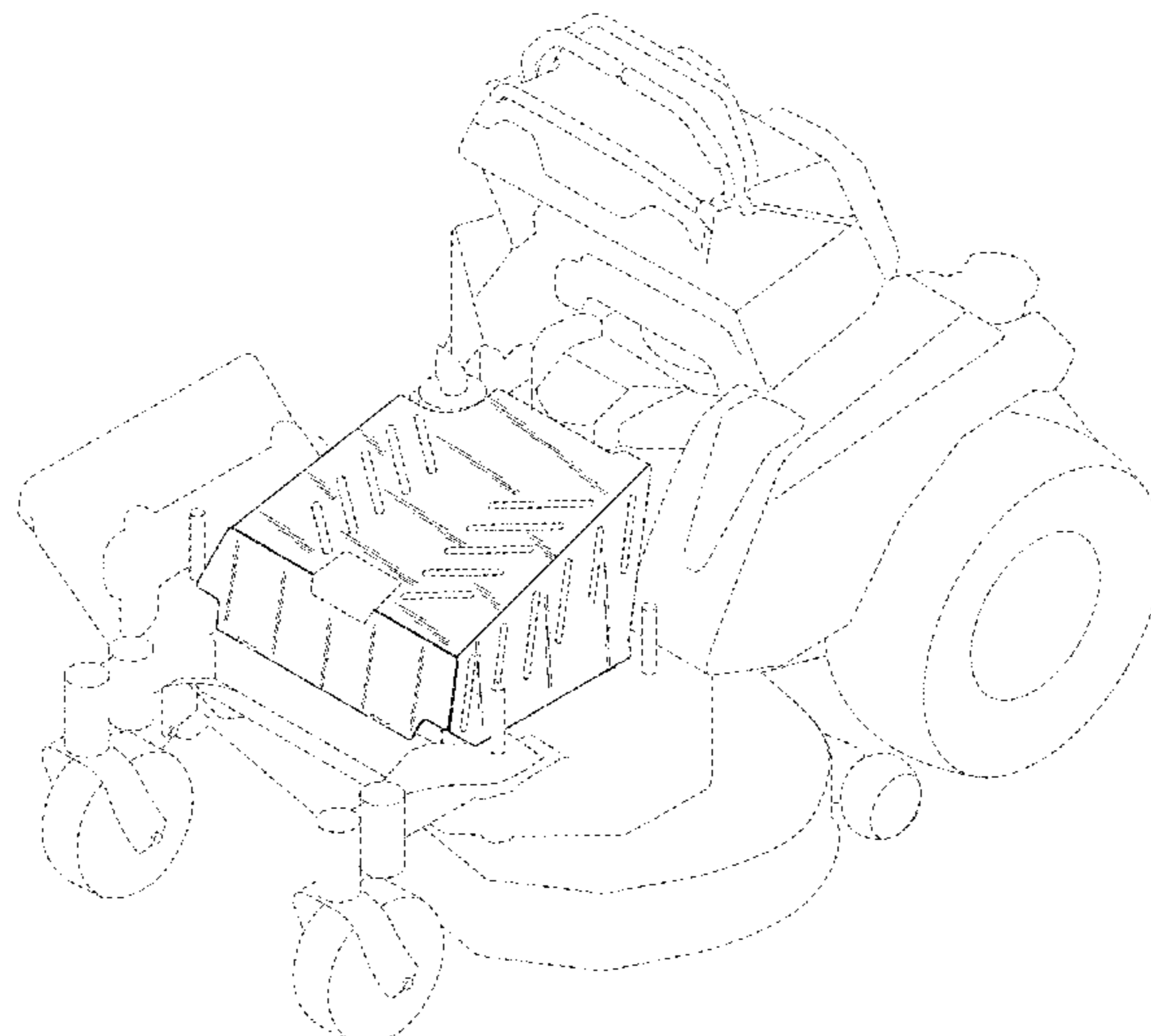
(56) **References Cited**

U.S. PATENT DOCUMENTS

2,833,364 A 5/1958 Lee
D359,740 S * 6/1995 Crosby D15/15
5,533,676 A * 7/1996 Conley A01D 43/14
239/168
D380,761 S * 7/1997 Saylor D15/15

(Continued)

1 Claim, 3 Drawing Sheets



(56)

References Cited

U.S. PATENT DOCUMENTS

5,778,648 A * 7/1998 Parkes A01D 43/077
56/13.3
5,816,033 A * 10/1998 Busboom A01D 34/74
56/10.8
D409,208 S * 5/1999 Eavenson D15/15
D410,931 S * 6/1999 Allen D15/31
6,042,093 A 3/2000 Garelick
6,322,151 B2 11/2001 Dombek et al.
6,672,020 B1 1/2004 Cermola et al.
6,896,293 B2 5/2005 Philipps et al.
6,948,739 B2 9/2005 Gallagher et al.
D588,613 S * 3/2009 Schroeder D15/17
D624,562 S * 9/2010 Neeley D15/17
7,793,979 B2 9/2010 Kraimer et al.
D626,572 S * 11/2010 Moriguchi D15/15
D655,316 S * 3/2012 Moriguchi D15/15
8,262,104 B2 9/2012 Kallevig et al.
D670,746 S * 11/2012 Ewringmann D15/31
D674,816 S * 1/2013 Higashikawa D15/15
D681,685 S * 5/2013 Higashikawa D15/15
D715,329 S * 10/2014 Higashikawa D15/15

D722,619 S * 2/2015 Phillips D15/17
D722,620 S * 2/2015 Phillips D15/17
D742,931 S * 11/2015 Burns, Jr. D15/17
D751,611 S * 3/2016 Smith D15/31
D772,309 S * 11/2016 Underhill D15/31
D784,426 S * 4/2017 Okuyama D15/31
D789,423 S * 6/2017 Shi D15/15
9,821,689 B2 11/2017 Busboom et al.
D806,761 S * 1/2018 Jackson D15/31
D806,762 S * 1/2018 Loew D15/31
D835,685 S * 12/2018 Niclot D15/31
D866,609 S * 11/2019 Long D15/15
D866,610 S * 11/2019 Long D15/15
D866,611 S * 11/2019 Long D15/15
D866,612 S * 11/2019 Long D15/15
2008/0034722 A1 2/2008 Wright et al.
2008/0202874 A1 8/2008 Scheele et al.
2012/0049039 A1 3/2012 Scheffler et al.

OTHER PUBLICATIONS

“Scag V-Ride Operator’s Manual,” Selected pages SCAG Power Equipment 2015 (12 pages).

* cited by examiner

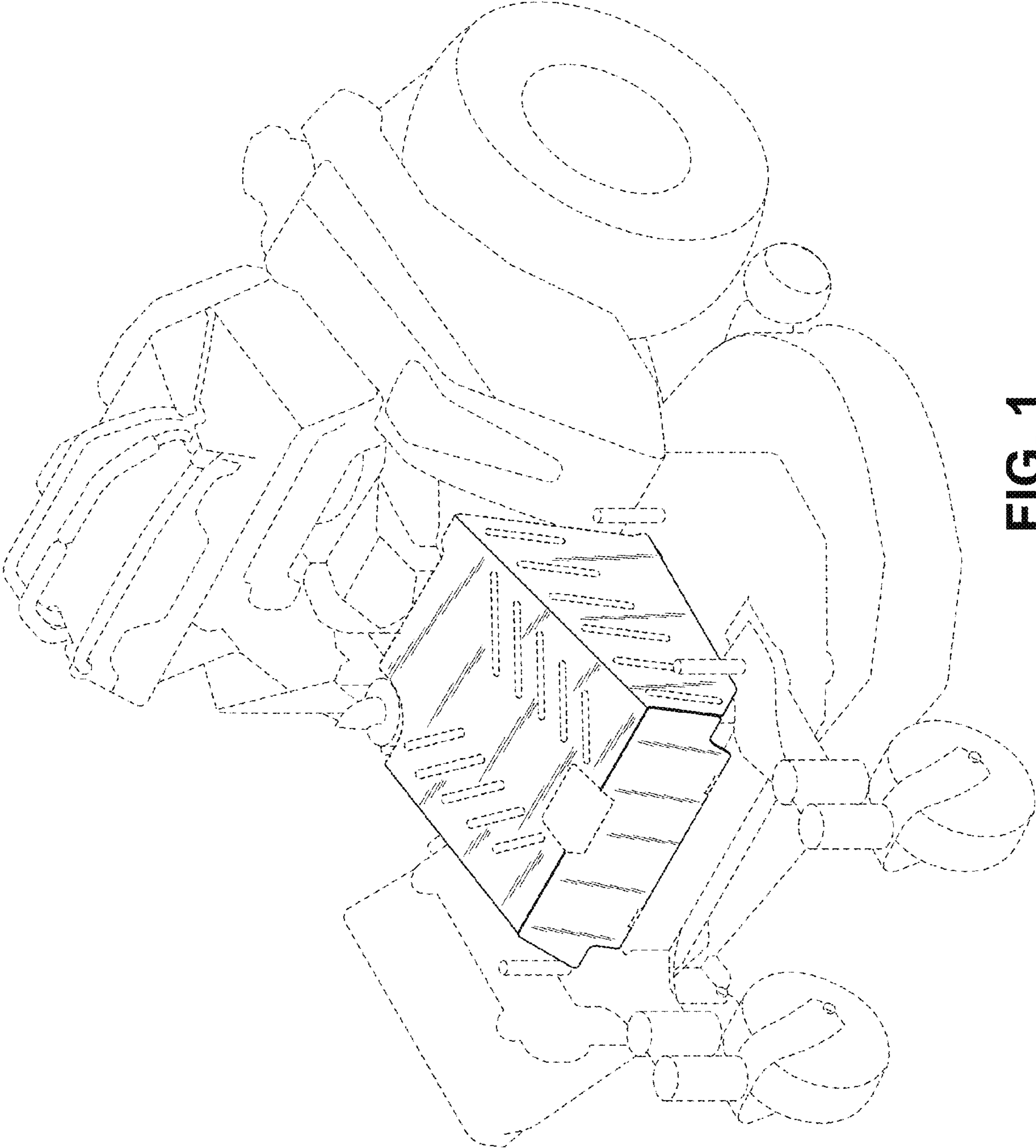


FIG. 1

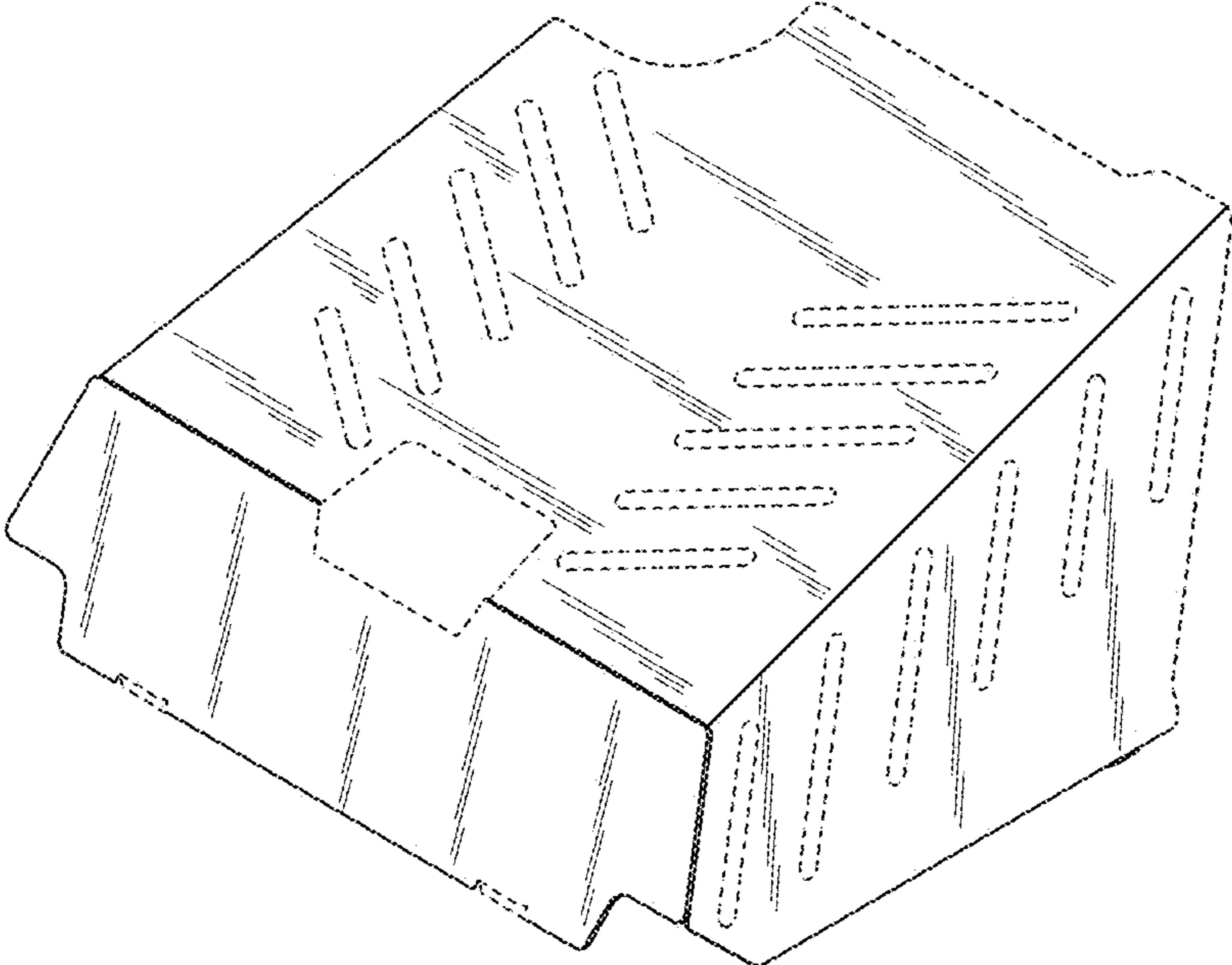


FIG. 2

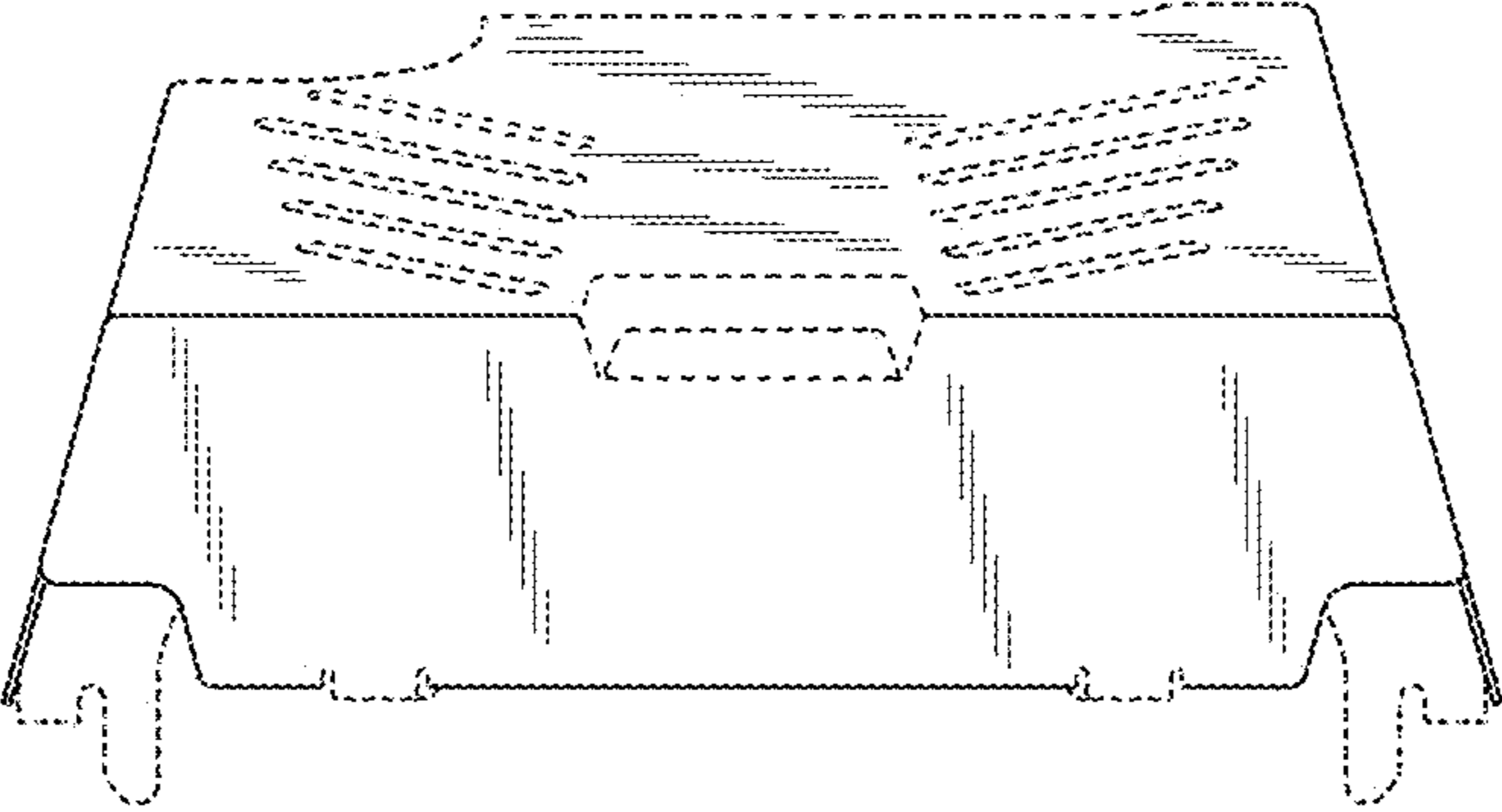


FIG. 3

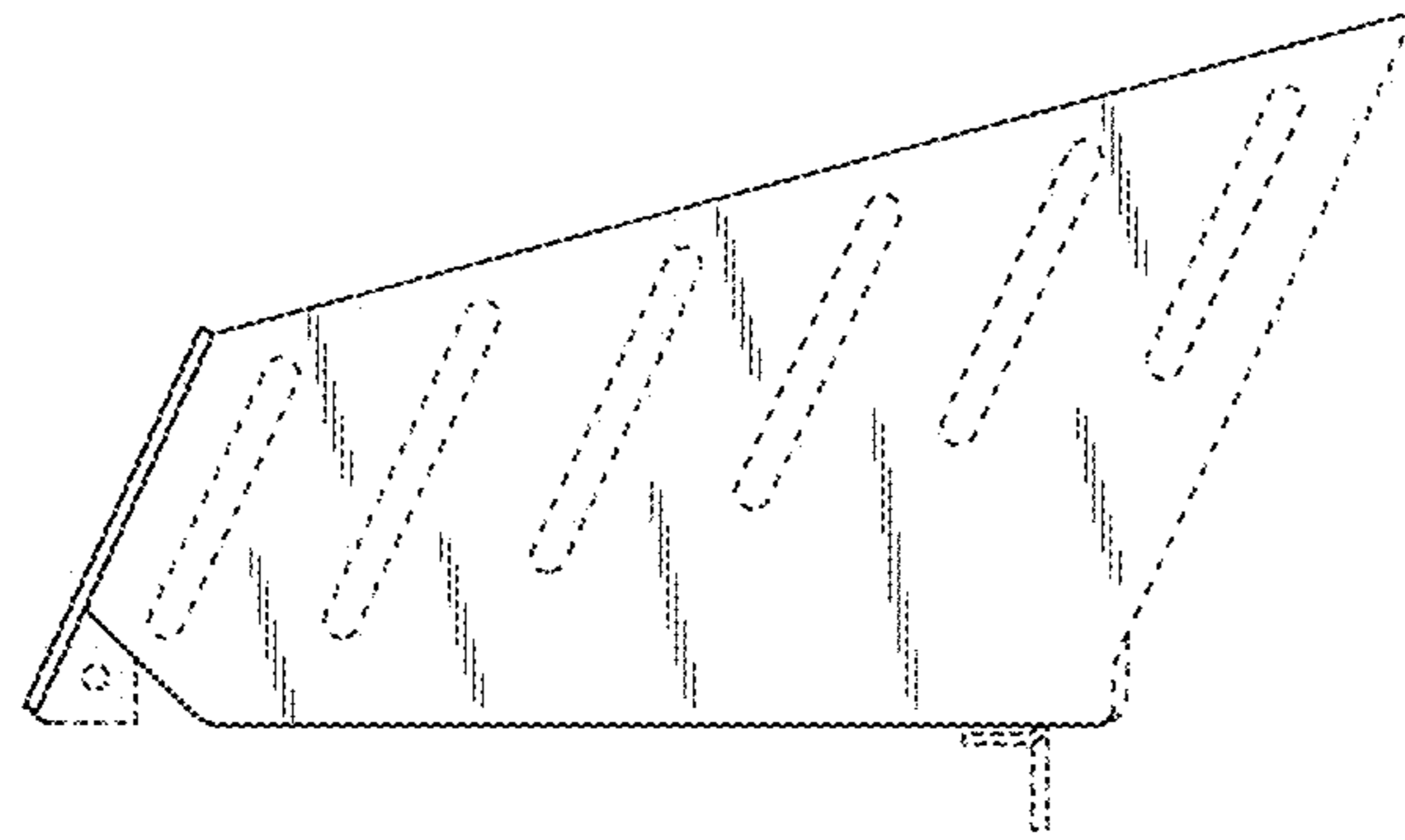


FIG. 4

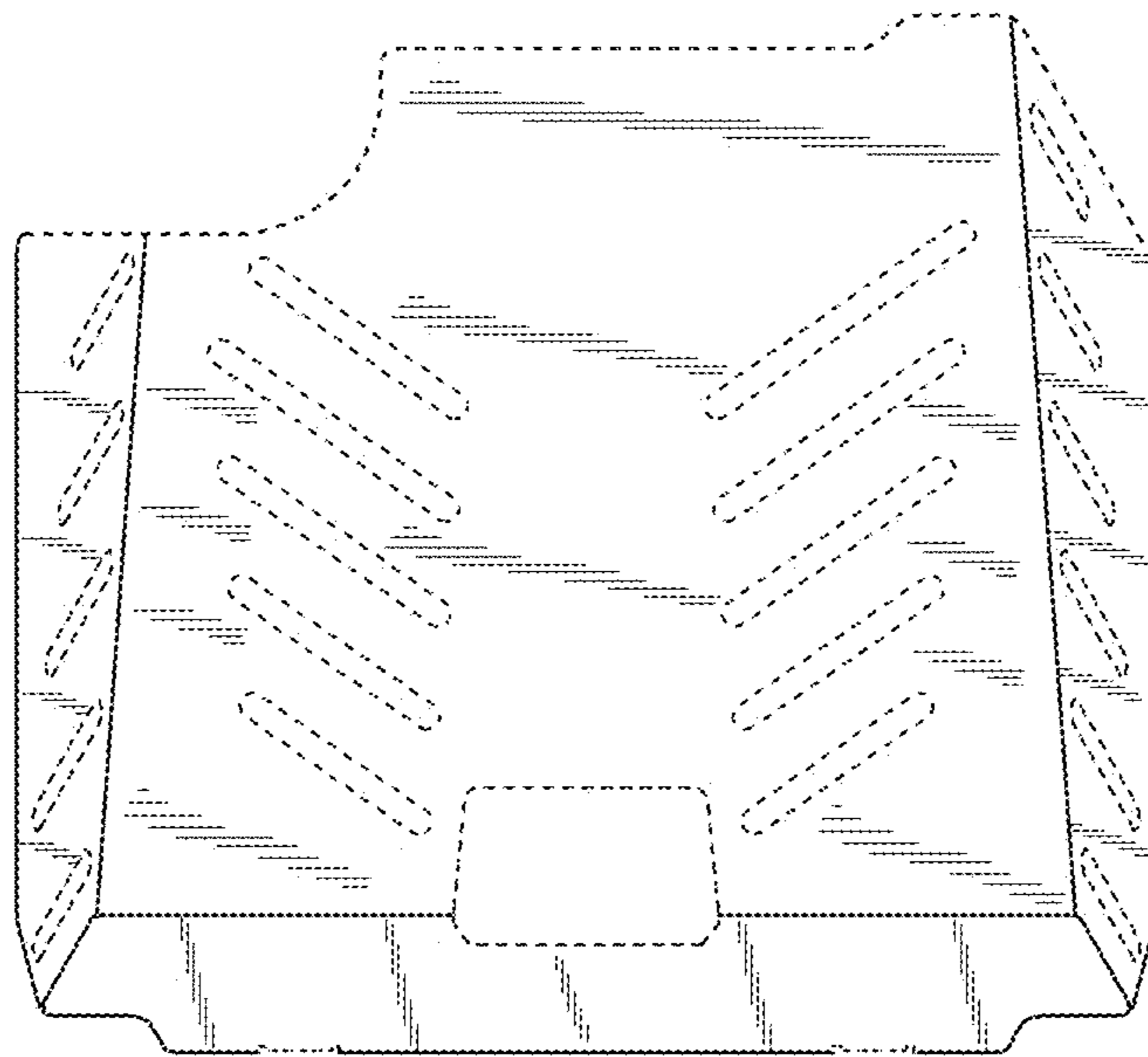


FIG. 5