



US00D903725S

(12) **United States Design Patent** (10) **Patent No.:** **US D903,725 S**
Loew (45) **Date of Patent:** **** Dec. 1, 2020**

(54) **ARMREST**
(71) Applicant: **BOMAG GmbH**, Boppard (DE)
(72) Inventor: **Roland Loew**, Klein-Winternheim (DE)
(73) Assignee: **BOMAG GmbH**, Boppard (DE)
(**) Term: **15 Years**
(21) Appl. No.: **29/698,462**
(22) Filed: **Jul. 17, 2019**

7,641,019 B2 1/2010 Pline
7,748,785 B2 7/2010 Lucas et al.
D640,293 S 6/2011 Ono et al.
8,483,914 B2 7/2013 Copeland et al.
D697,534 S 1/2014 Uchida et al.
8,714,049 B2 5/2014 Ast et al.
D728,634 S * 5/2015 Alpsten D15/28
D757,634 S * 5/2016 Uusitalo D12/421
D760,813 S * 7/2016 Roemer D15/28
D777,800 S 1/2017 Furuki et al.
9,592,758 B2 * 3/2017 Mahler B60N 2/797
D782,858 S * 4/2017 Okuyama D6/716.2
D813,916 S * 3/2018 Okuyama D15/28
D854,055 S * 7/2019 Hiraoka D15/28

(Continued)

(30) **Foreign Application Priority Data**

Jan. 28, 2019 (EM) 006092540-0004

(51) **LOC (12) Cl.** **15-03**

(52) **U.S. Cl.**
USPC **D15/28**

(58) **Field of Classification Search**
USPC D15/10, 17, 22-26, 28, 30; D12/192;
D34/28, 35; 74/491, 469, 471 R,
74/471 XY; 296/1.09, 191, 153;
297/411.36, 217.3, 411.2, 411.21;
180/333, 315, 326, 332, 329, 331, 90,
180/334
CPC B60N 2/46; B60N 2/4646; B60N 2/4653;
B60N 2/4693; B60N 2/38
See application file for complete search history.

(56) **References Cited**

U.S. PATENT DOCUMENTS

5,566,778 A 10/1996 Valier et al.
D427,207 S * 6/2000 Altmann D15/28
D427,208 S * 6/2000 Altmann D15/28
D458,278 S * 6/2002 Clevenger D15/28
D463,458 S * 9/2002 Arthur D15/28
D516,097 S * 2/2006 Bergman D15/28
7,014,255 B2 3/2006 Amamiya et al.
D539,311 S * 3/2007 Honda D15/28

Primary Examiner — Mark A Goodwin

(74) *Attorney, Agent, or Firm* — Wood Herron & Evans LLP

(57) **CLAIM**

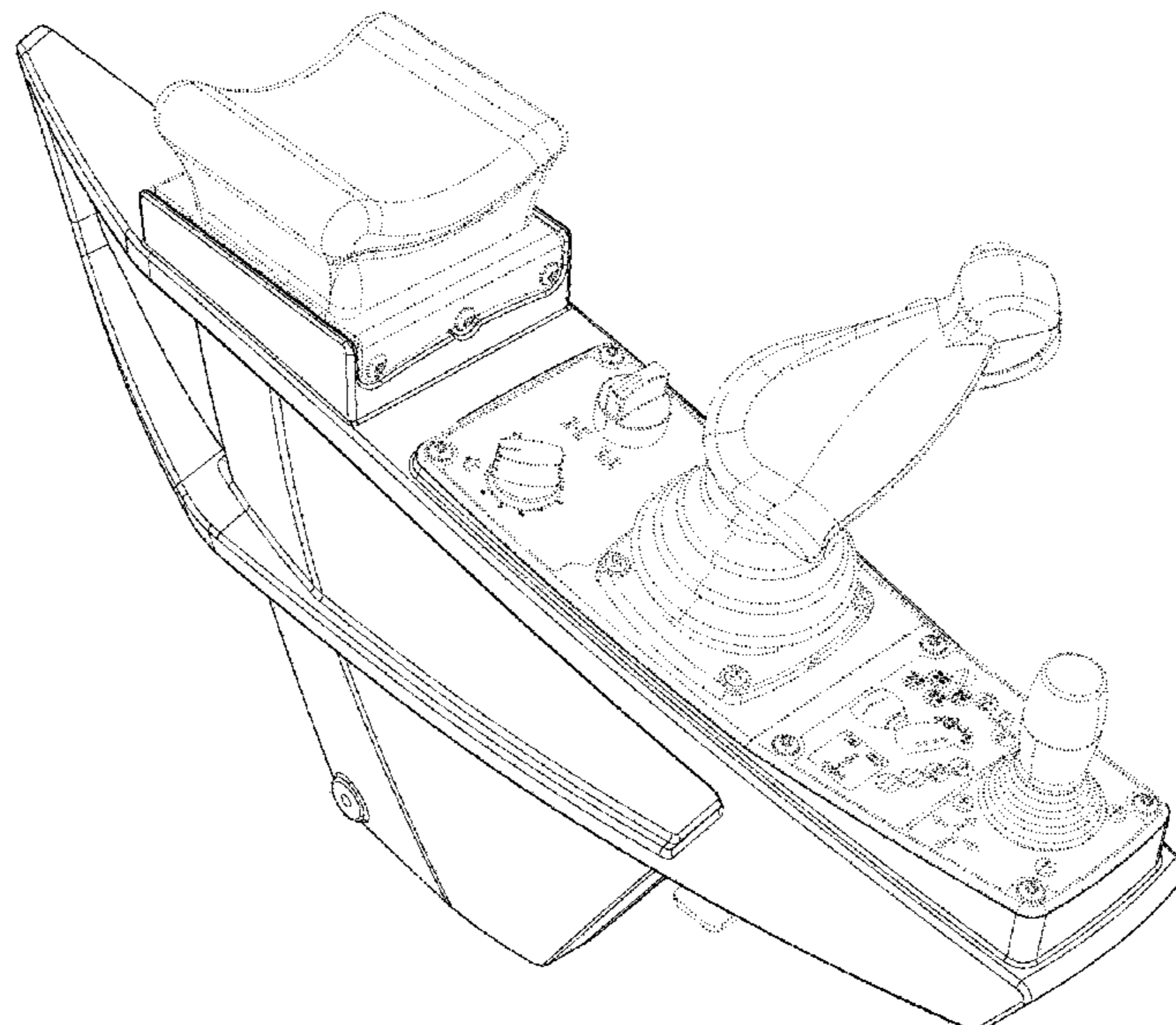
The ornamental design for an armrest, as shown and described.

DESCRIPTION

FIG. 1 is a front elevation view of my new armrest design; FIG. 2 is a right-side elevation view thereof; FIG. 3 is a left-side elevation view thereof; FIG. 4 is a top plan view thereof; FIG. 5 is a front top perspective view thereof; FIG. 6 is a front left perspective view thereof; FIG. 7 is a front right perspective view thereof; FIG. 8 is a rear top perspective view thereof; FIG. 9 is a bottom plan view thereof; and, FIG. 10 is a rear elevation view thereof.

The broken lines in the figures are for illustrative purposes only and represent non-claimed environmental subject matter. Neither the portions of the invention shown in broken lines nor the broken lines themselves form any part of the claimed design.

1 Claim, 10 Drawing Sheets



(56)

References Cited

U.S. PATENT DOCUMENTS

D859,475 S * 9/2019 Sasaki D15/17
2006/0042857 A1 3/2006 Catton et al.
2007/0144133 A1 6/2007 Drake et al.

* cited by examiner

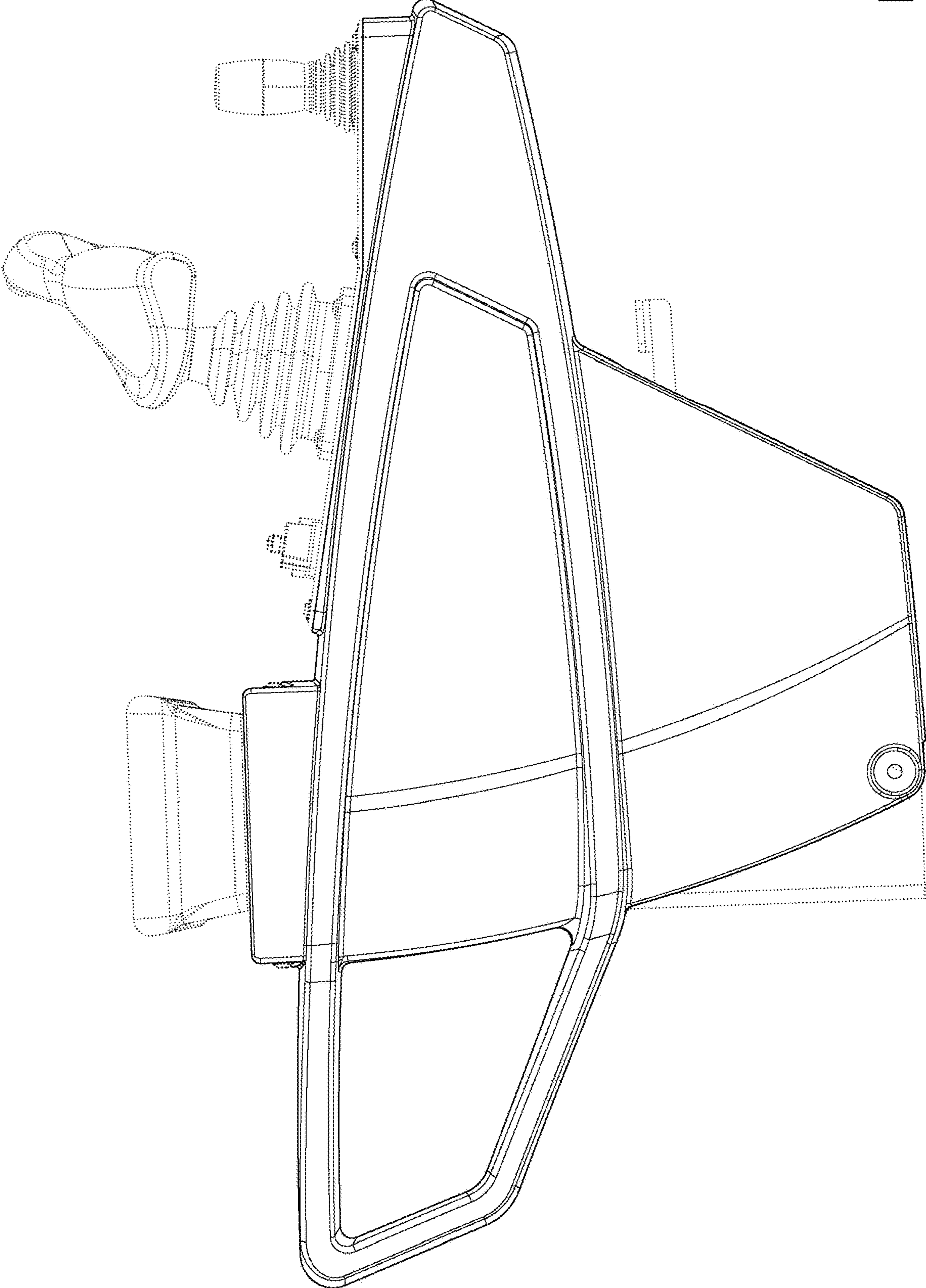


FIG. 1

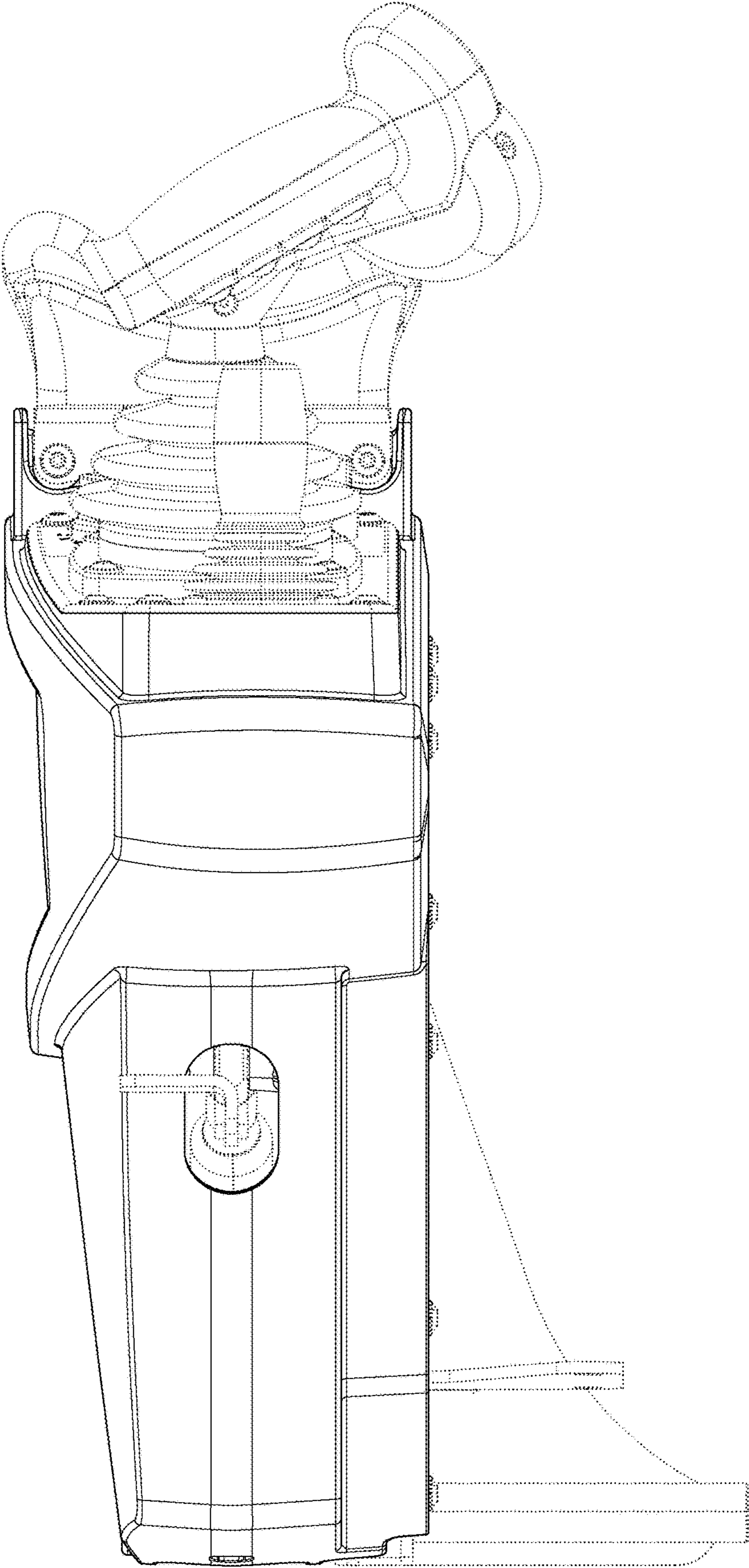


FIG. 2

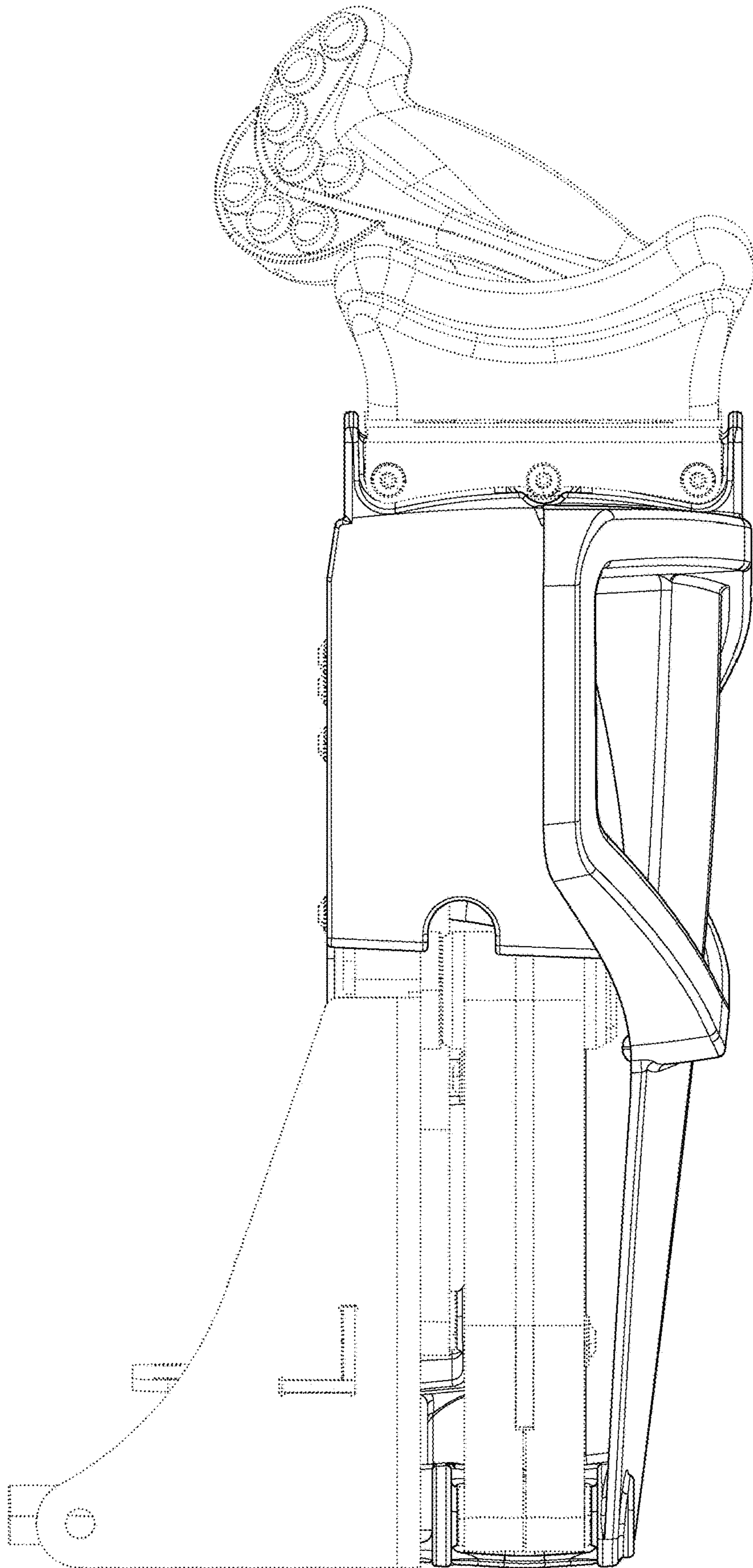


FIG. 3

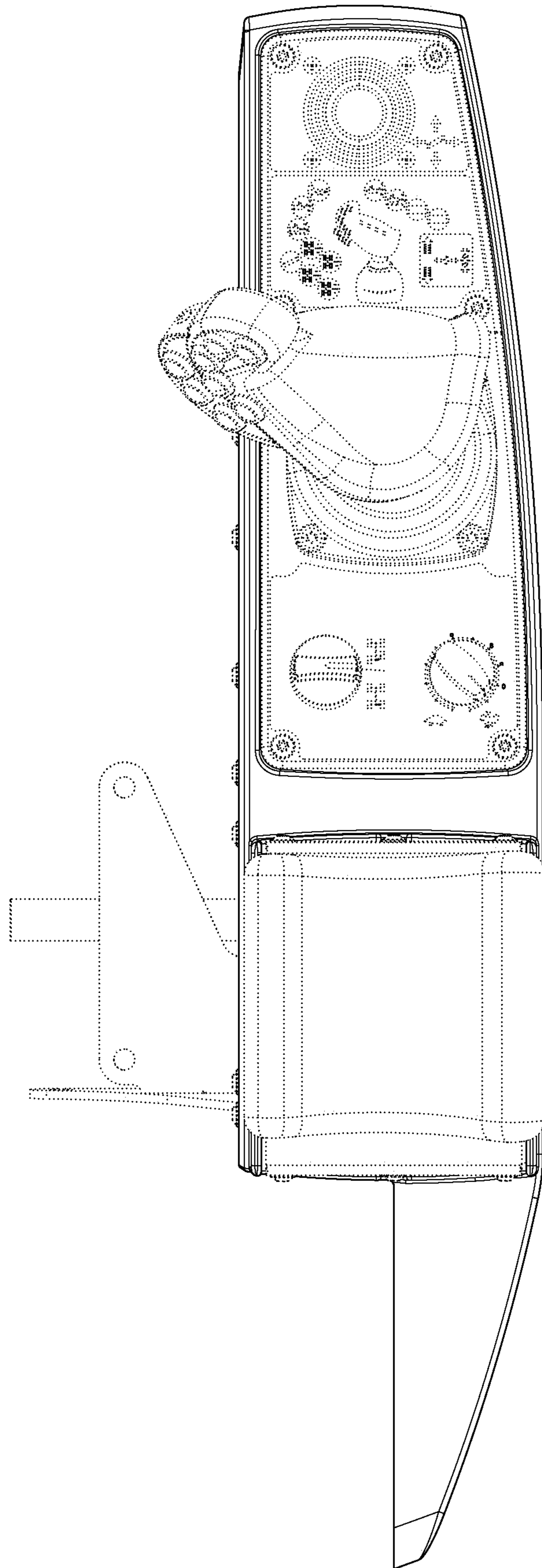


FIG. 4

FIG. 5

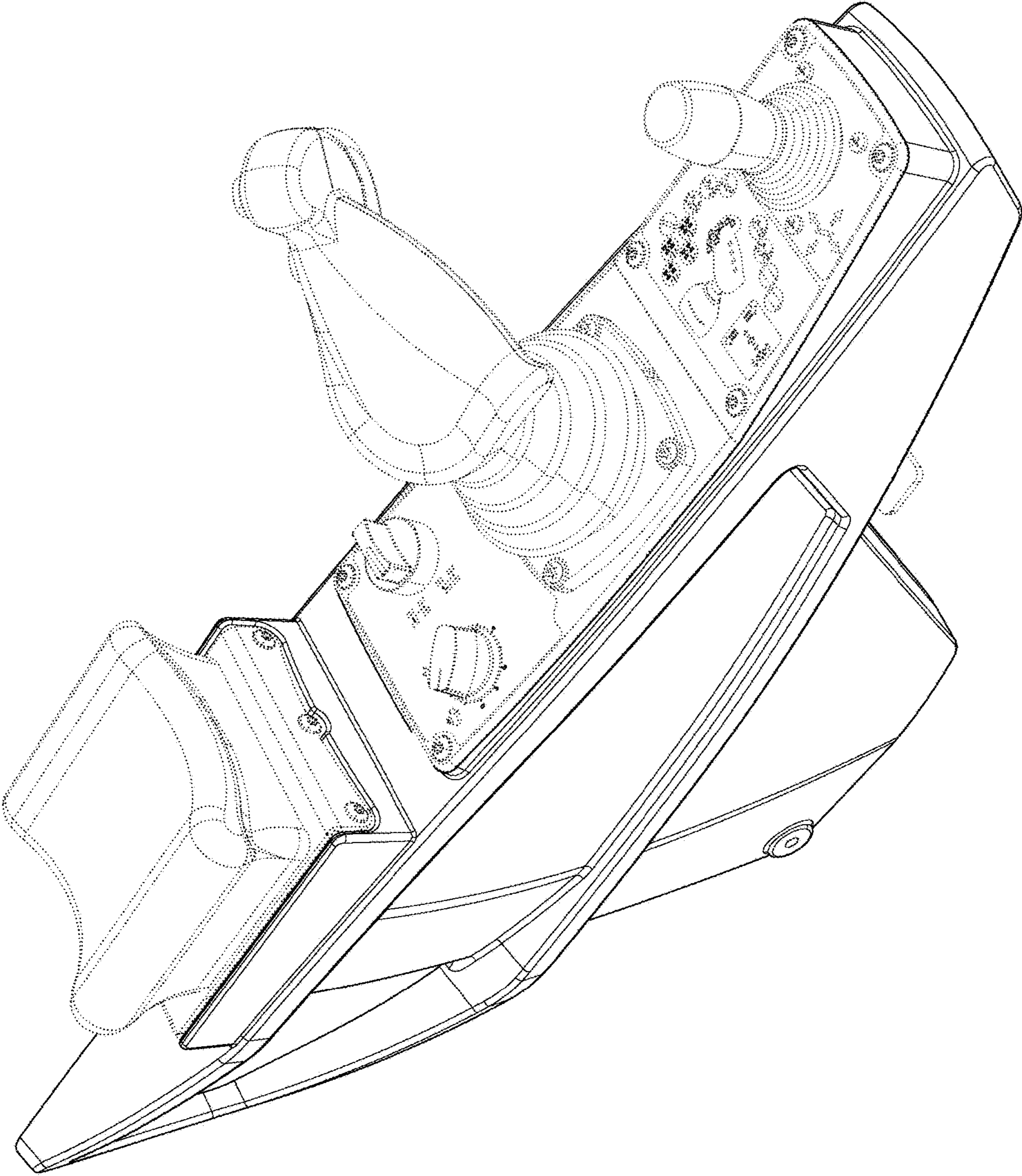
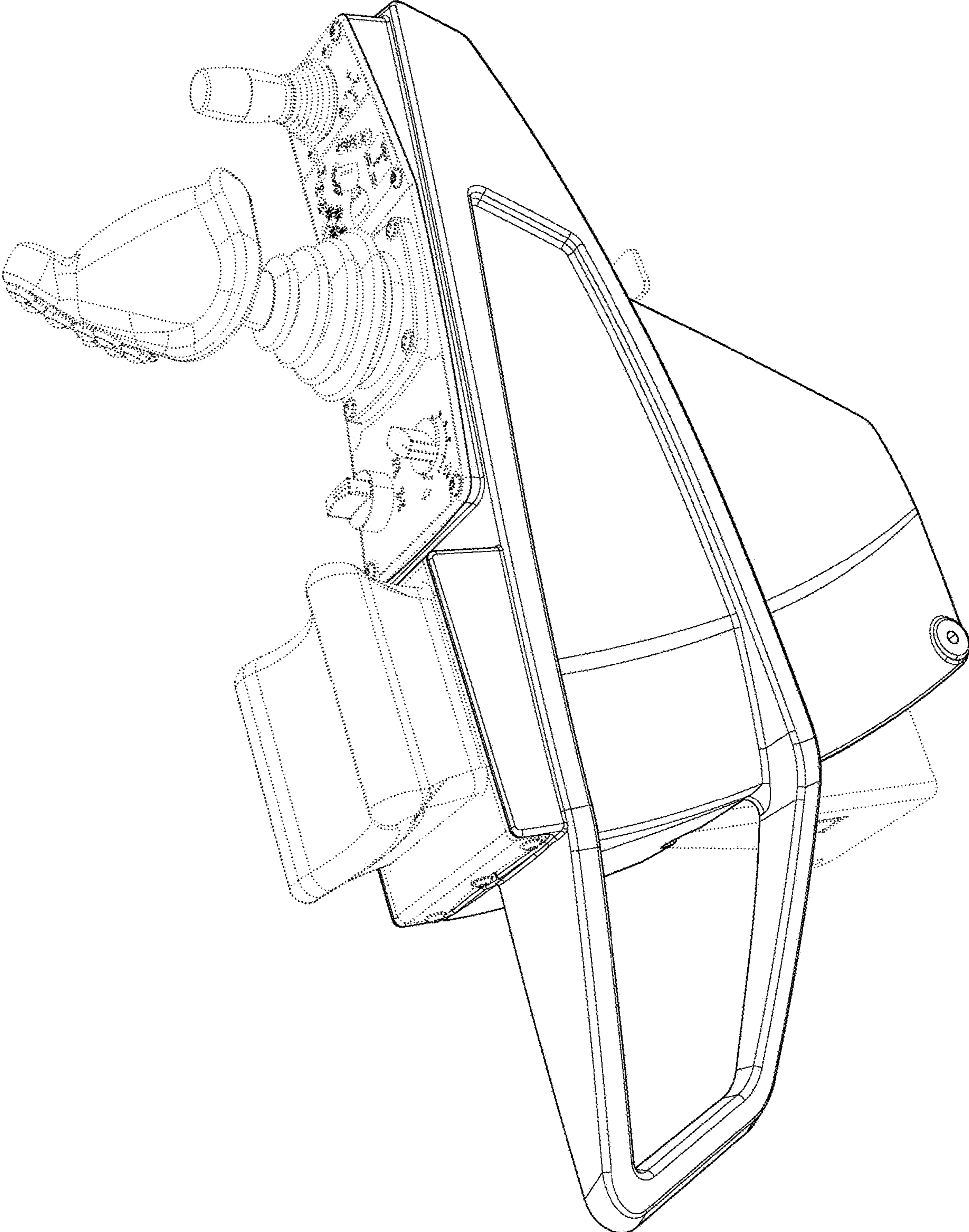


FIG. 6



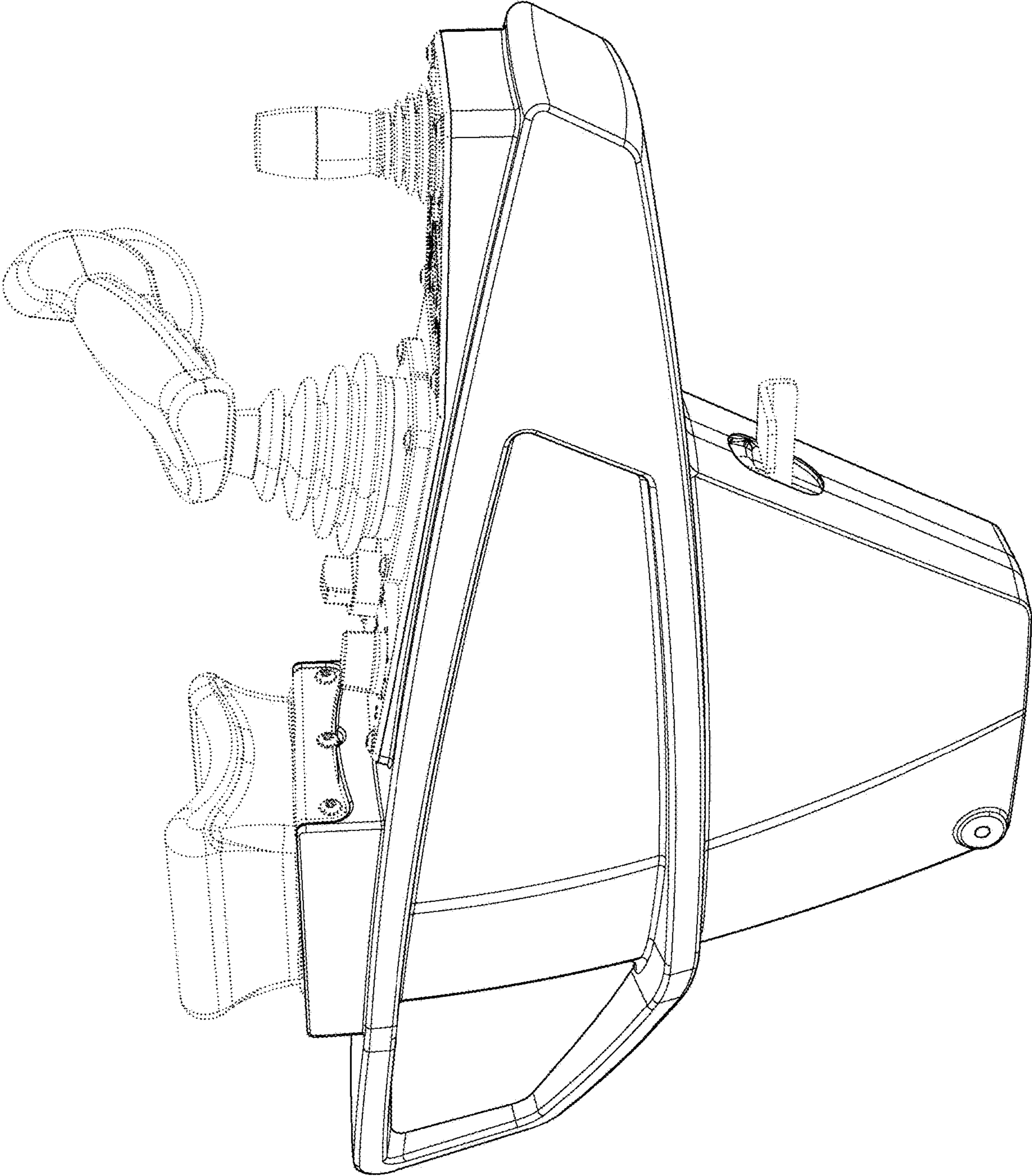


FIG. 7

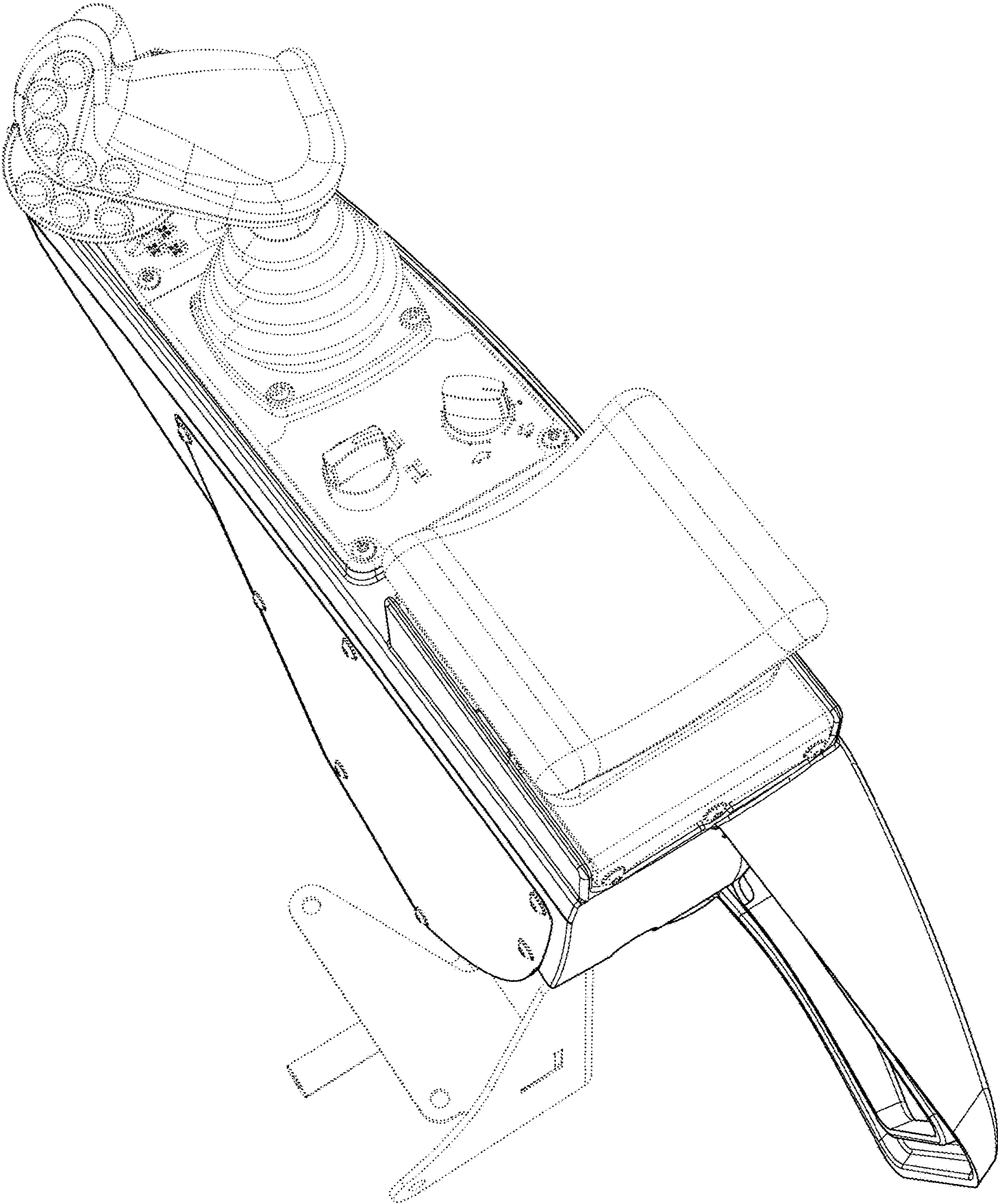


FIG. 8

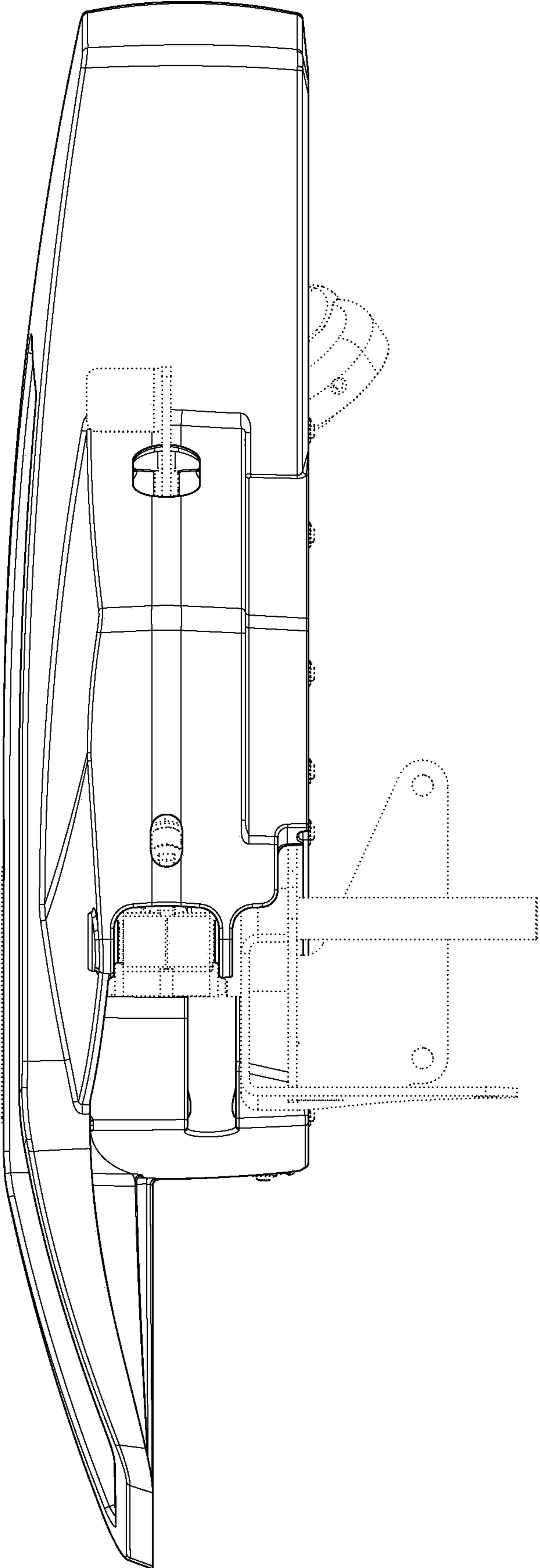


FIG. 9

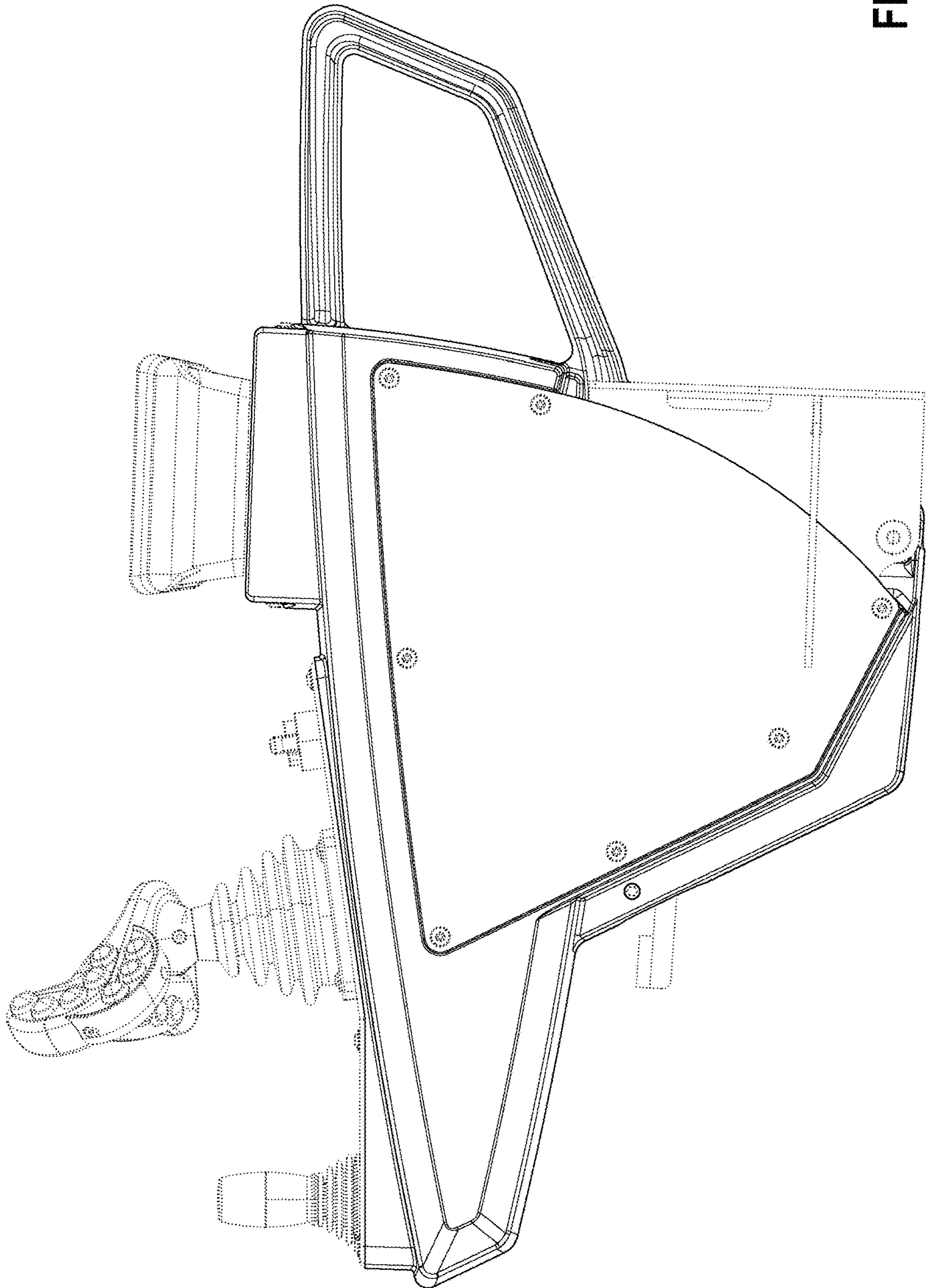


FIG. 10