



US00D903724S

(12) **United States Design Patent**  
**Loew**

(10) **Patent No.:** **US D903,724 S**  
(45) **Date of Patent:** **\*\* Dec. 1, 2020**

(54) **OPERATING PANEL**

(71) Applicant: **BOMAG GmbH**, Boppard (DE)

(72) Inventor: **Roland Loew**, Klein-Winternheim (DE)

(73) Assignee: **BOMAG GmbH**, Boppard (DE)

(\*\*) Term: **15 Years**

(21) Appl. No.: **29/698,458**

(22) Filed: **Jul. 17, 2019**

(30) **Foreign Application Priority Data**

Jan. 28, 2019 (EM) ..... 006092540-0002

(51) **LOC (12) Cl.** ..... **15-03**

(52) **U.S. Cl.**  
USPC ..... **D15/28**

(58) **Field of Classification Search**  
USPC ..... D15/10, 17, 22-26, 28, 30; D12/192;  
D34/28, 35; 74/491, 469, 471 R,  
74/471 XY; 296/1.09, 191, 153;  
297/411.36, 217.3, 411.2, 411.21;  
180/333, 315, 326, 332, 329, 331, 90,  
180/334  
CPC ..... B60N 2/46; B60N 2/4646; B60N 2/4653;  
B60N 2/4693; B60N 2/38  
See application file for complete search history.

(56) **References Cited**

**U.S. PATENT DOCUMENTS**

5,566,778	A	10/1996	Valier et al.	
D427,207	S *	6/2000	Altmann	D15/28
D427,208	S *	6/2000	Altmann	D15/28
D458,278	S *	6/2002	Clevenger	D15/28
D463,458	S *	9/2002	Arthur	D15/28
D516,097	S *	2/2006	Bergman	D15/28
7,014,255	B2	3/2006	Kmamiya et al.	
D539,311	S *	3/2007	Honda	D15/28

7,641,019	B2	1/2010	Pline	
7,748,785	B2	7/2010	Lucas et al.	
D640,293	S	6/2011	Ono et al.	
8,483,914	B2	7/2013	Copeland et al.	
D697,534	S	1/2014	Uchida et al.	
8,714,049	B2	5/2014	Kst et al.	
D728,634	S *	5/2015	Alpsten	D15/28
D757,634	S *	5/2016	Uusitalo	D12/421
D760,813	S *	7/2016	Roemer	D15/28
D777,800	S	1/2017	Furuki et al.	
9,592,758	B2 *	3/2017	Mahler	B60N 2/797
D782,858	S *	4/2017	Okuyama	D6/716.2
D813,916	S *	3/2018	Okuyama	D15/28
D854,055	S *	7/2019	Hiraoka	D15/28

(Continued)

*Primary Examiner* — Mark A Goodwin

(74) *Attorney, Agent, or Firm* — Wood Herron & Evans LLP

(57) **CLAIM**

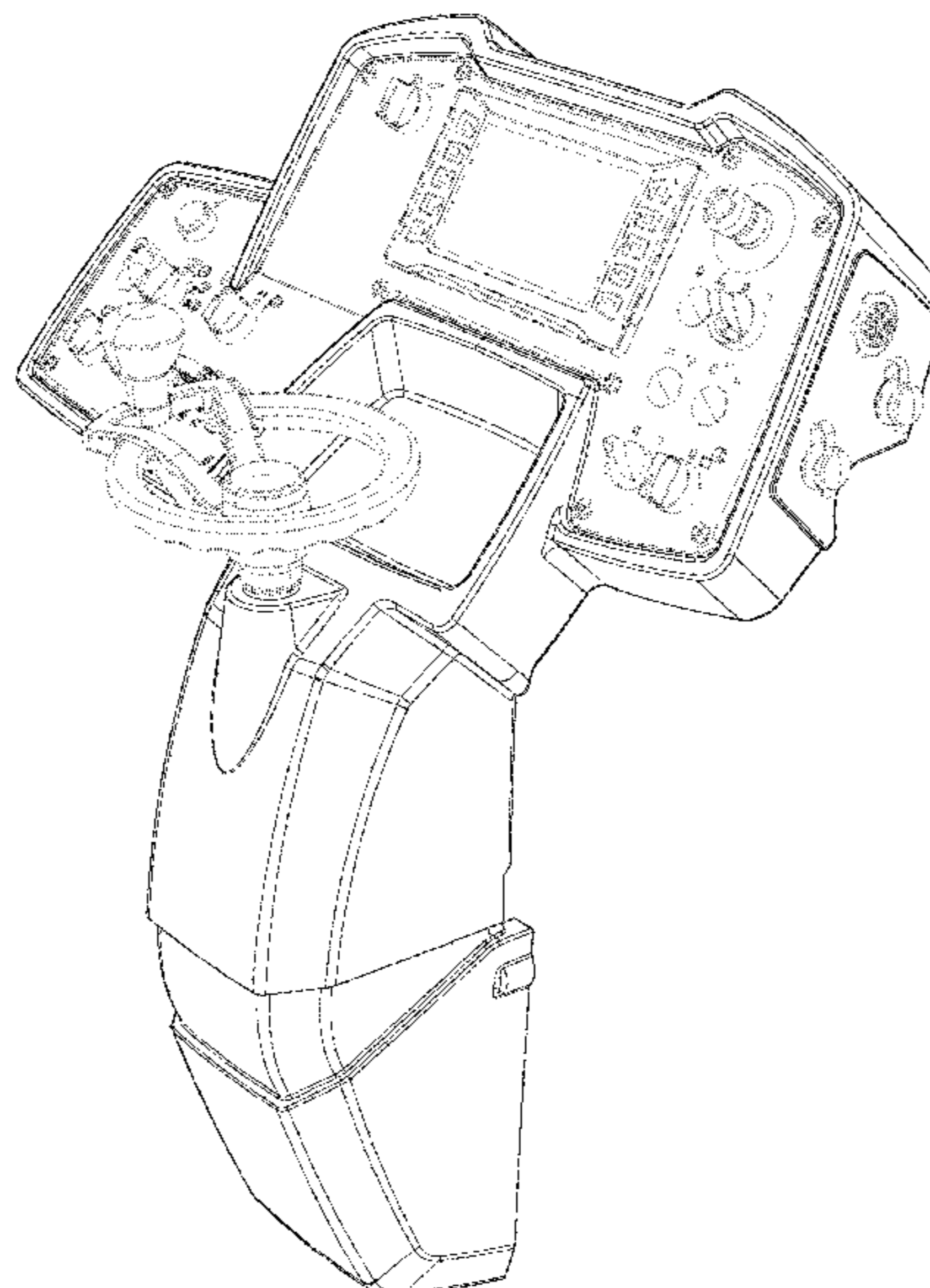
The ornamental design for an operating panel, as shown and described.

**DESCRIPTION**

FIG. 1 is a front elevation view of my new operating panel design;  
FIG. 2 is a right-side elevation view thereof;  
FIG. 3 is a left-side elevation view thereof;  
FIG. 4 is a top plan view thereof;  
FIG. 5 is a front right perspective view thereof;  
FIG. 6 is a front left perspective view thereof;  
FIG. 7 is a rear right perspective view thereof;  
FIG. 8 is a rear left perspective view thereof;  
FIG. 9 is a bottom plan view thereof; and,  
FIG. 10 is a rear elevation view thereof.

The broken lines in the figures are for illustrative purposes only and represent non-claimed environmental subject matter. Neither the portions of the invention shown in broken lines nor the broken lines themselves form any part of the claimed design.

**1 Claim, 10 Drawing Sheets**



(56)

**References Cited**

U.S. PATENT DOCUMENTS

D859,475 S \* 9/2019 Sasaki ..... D15/17  
2006/0042857 A1 3/2006 Catton et al.  
2007/0144133 A1 6/2007 Drake et al.

\* cited by examiner

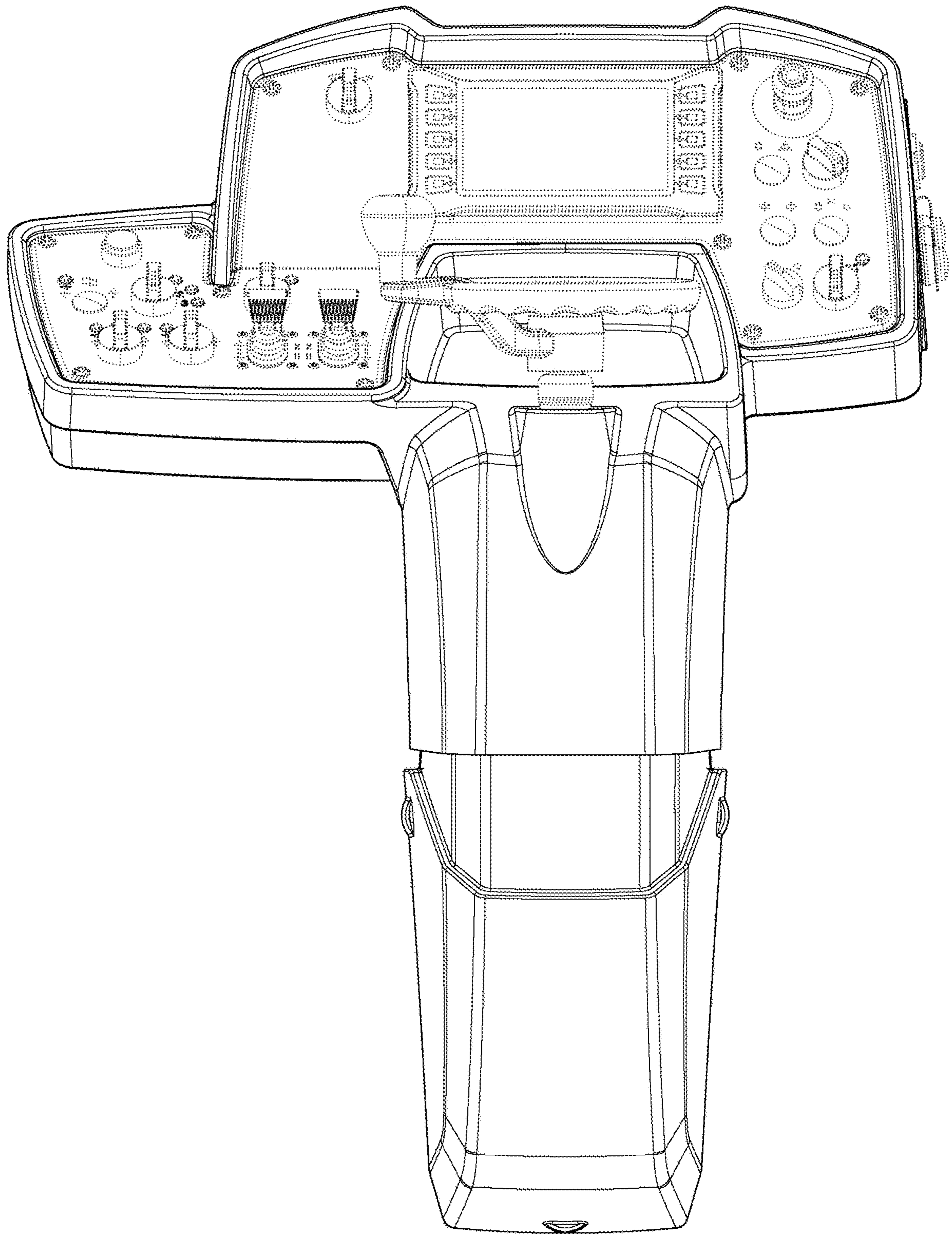


FIG. 1



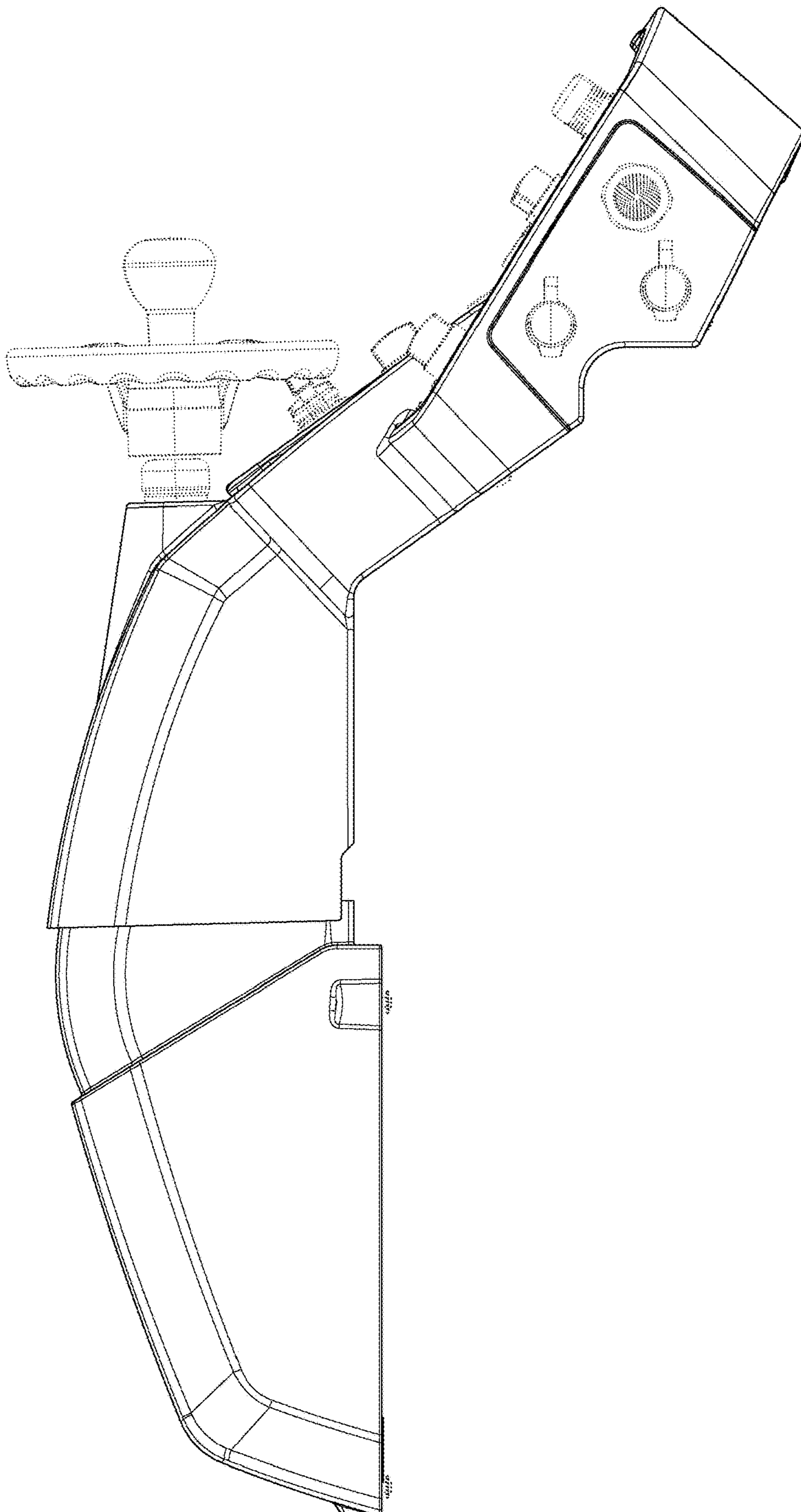


FIG. 2

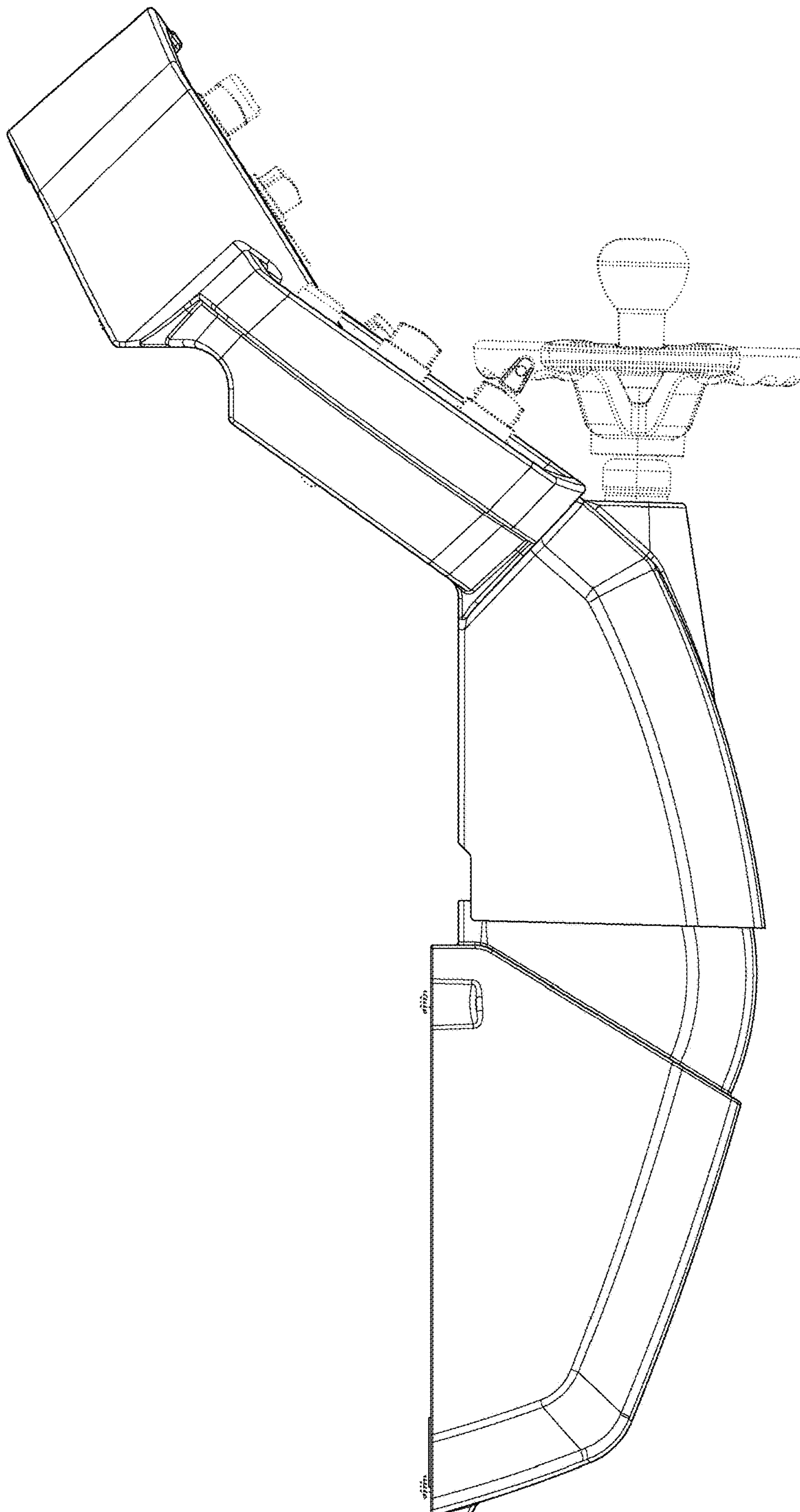
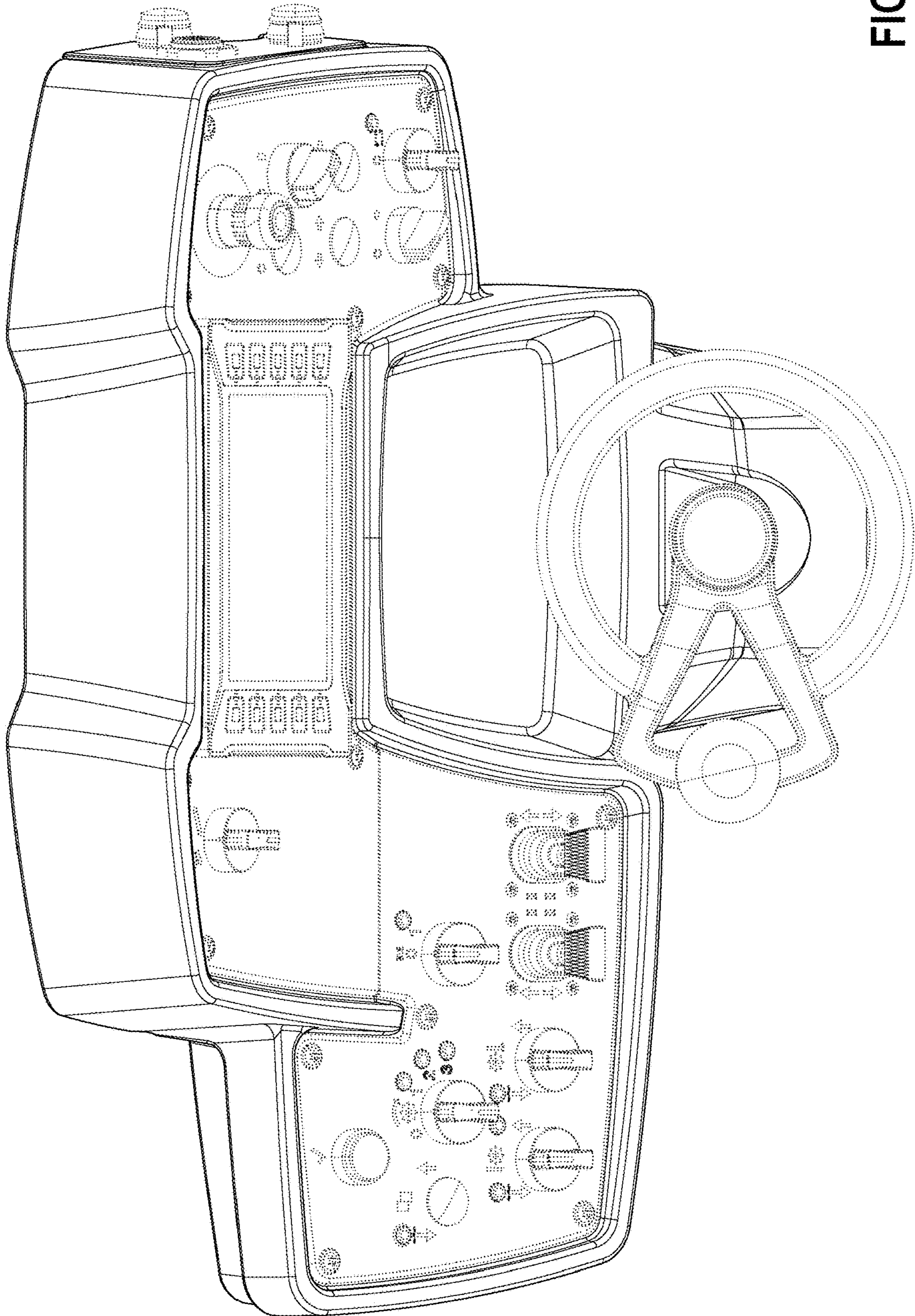


FIG. 3

FIG. 4





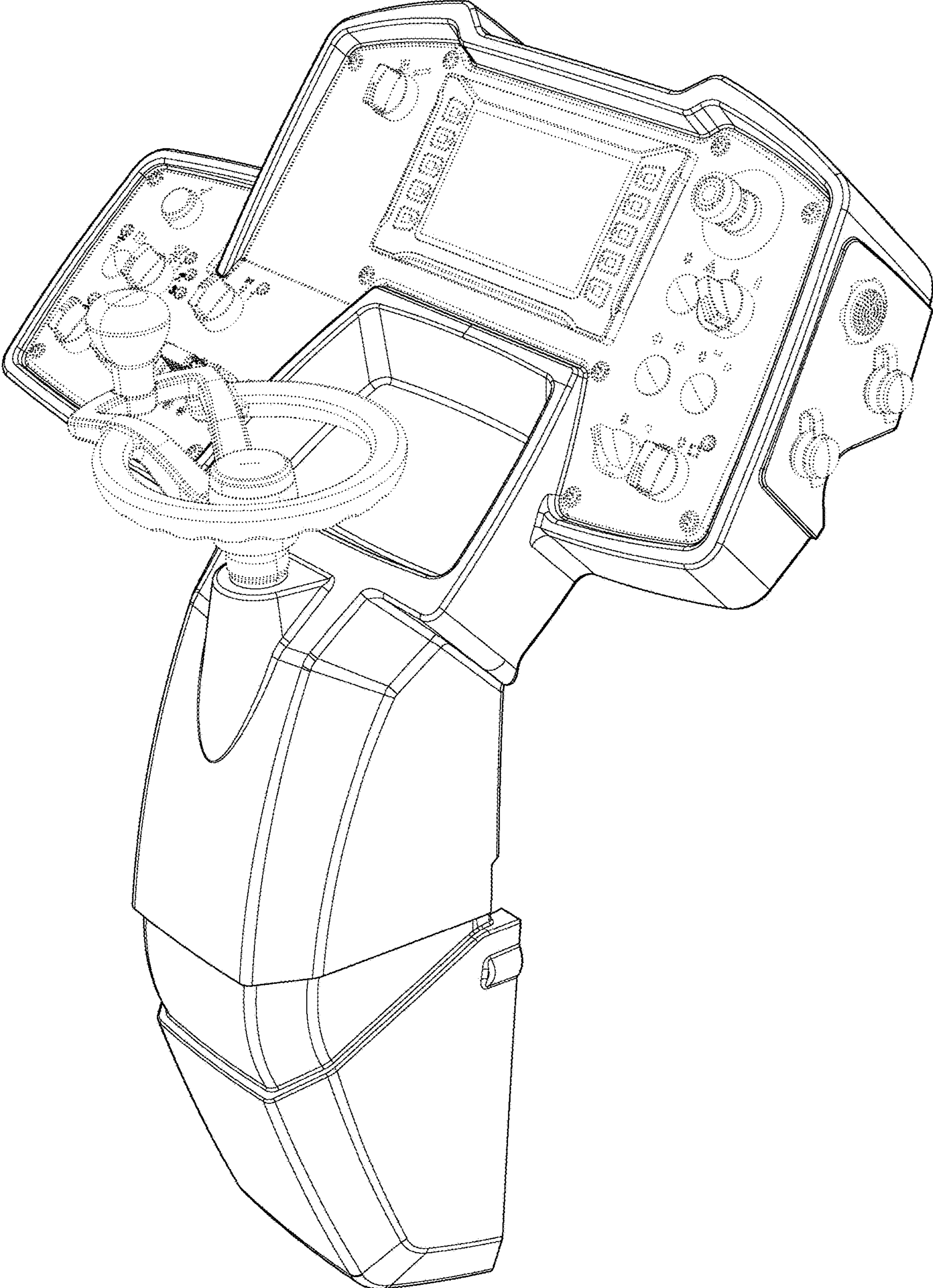


FIG. 5

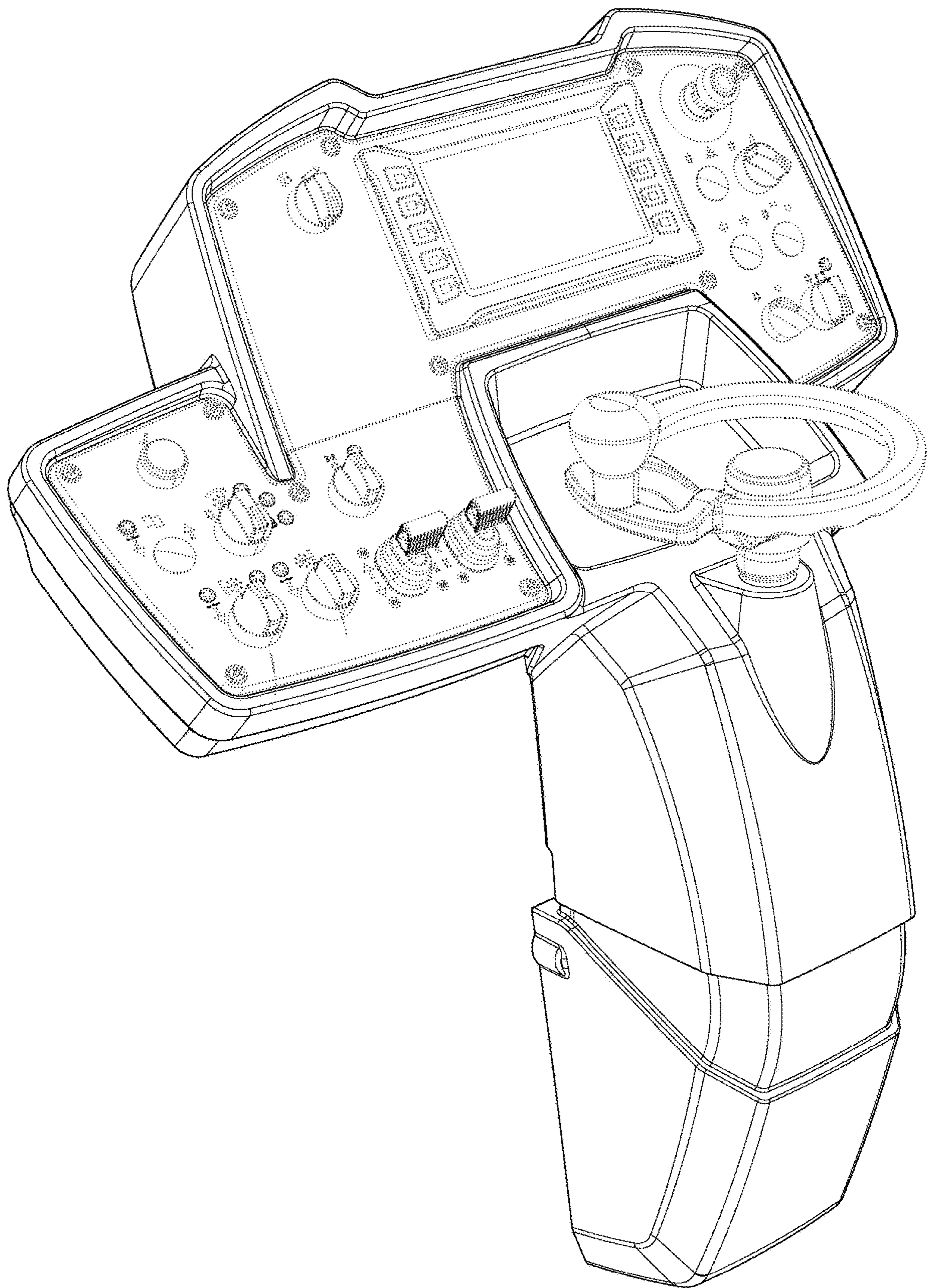


FIG. 6



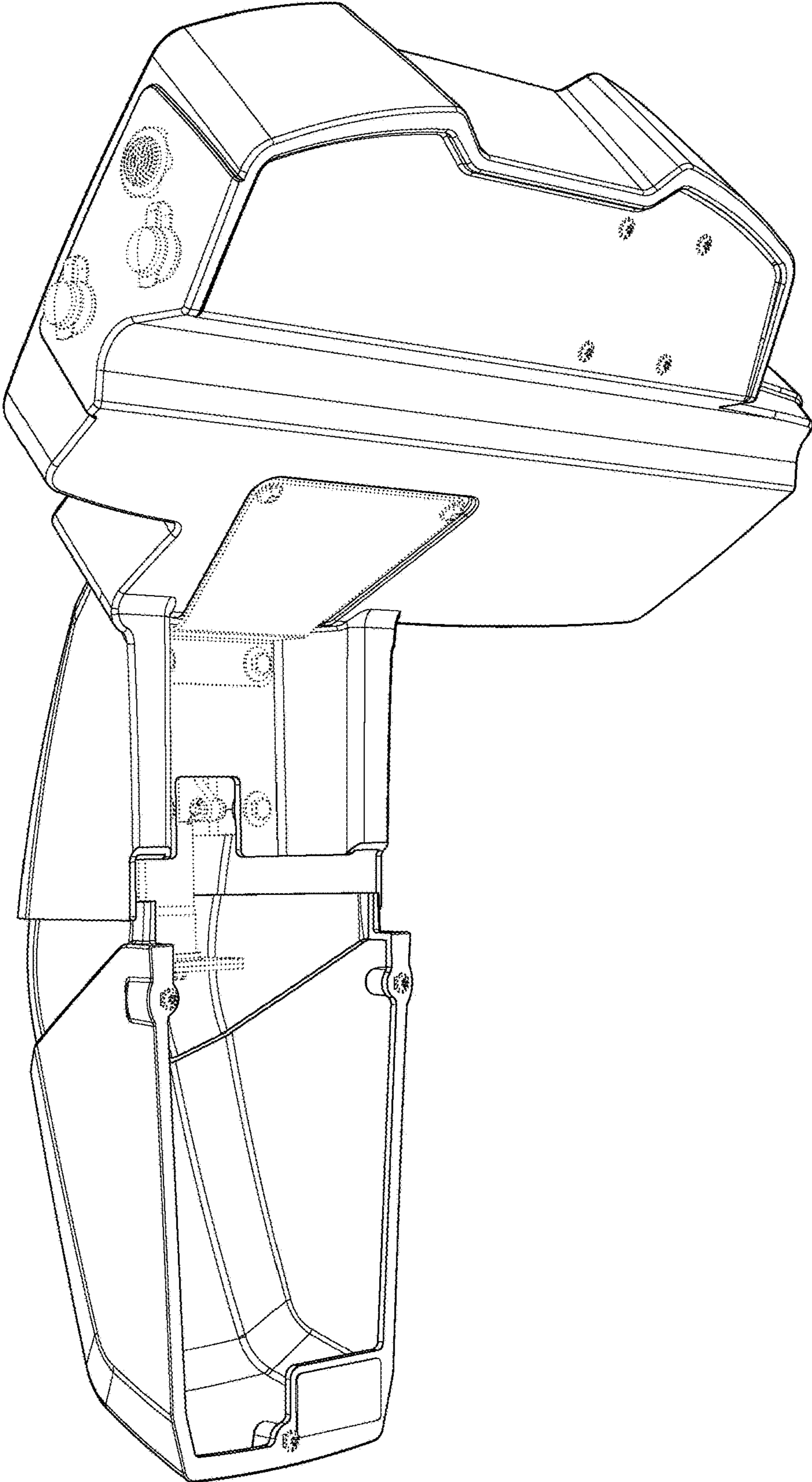


FIG. 7

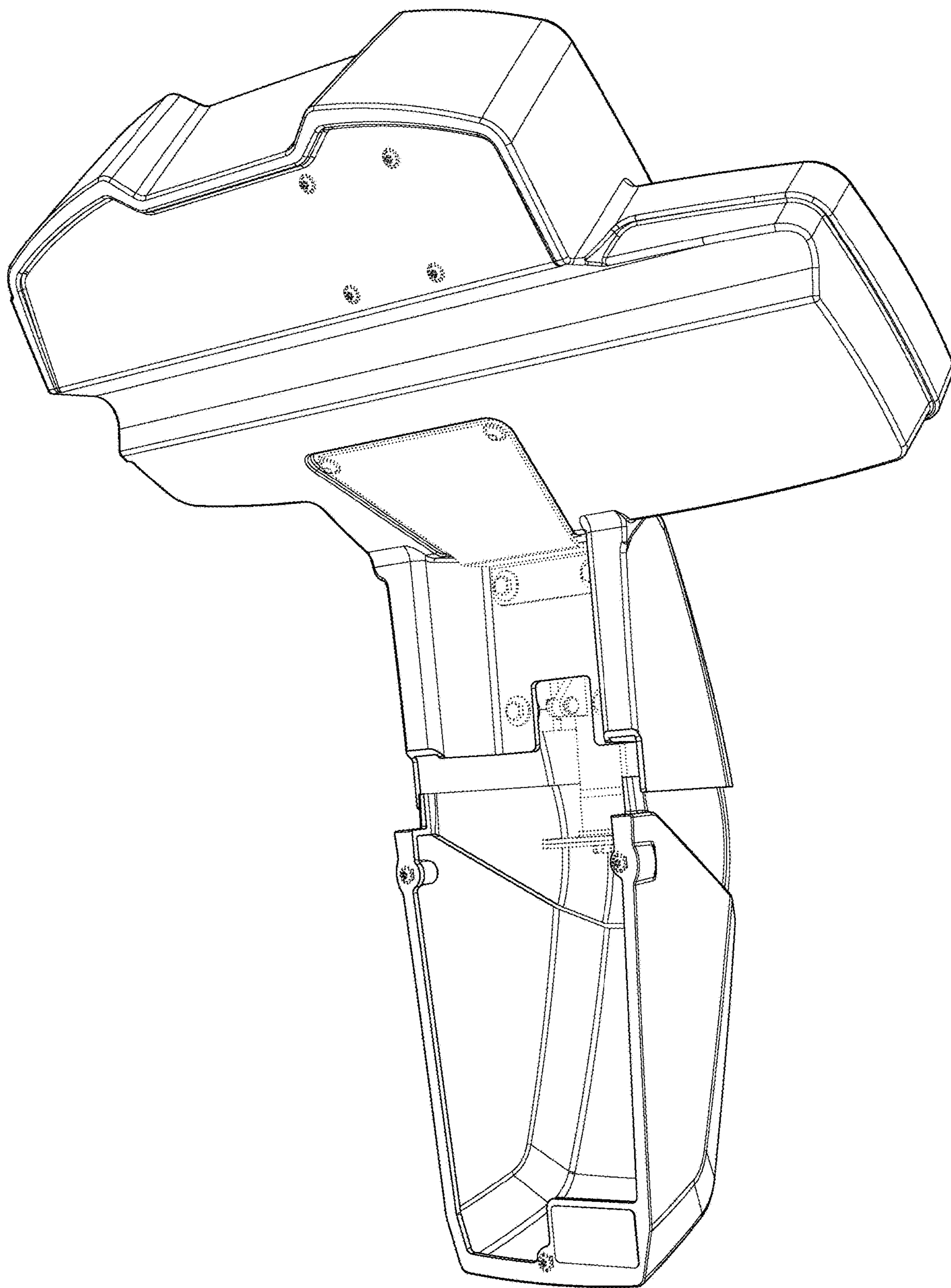


FIG. 8



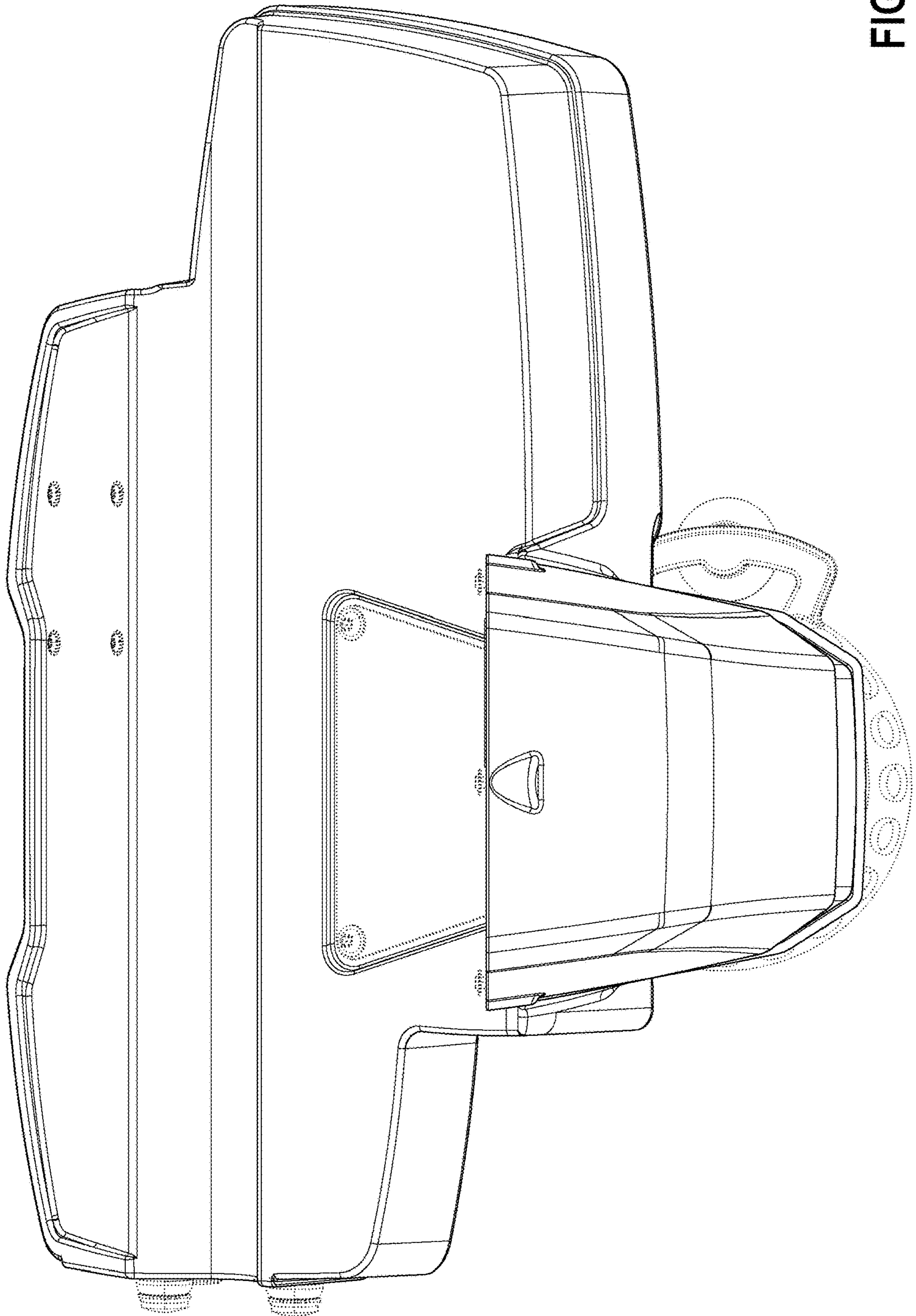


FIG. 9

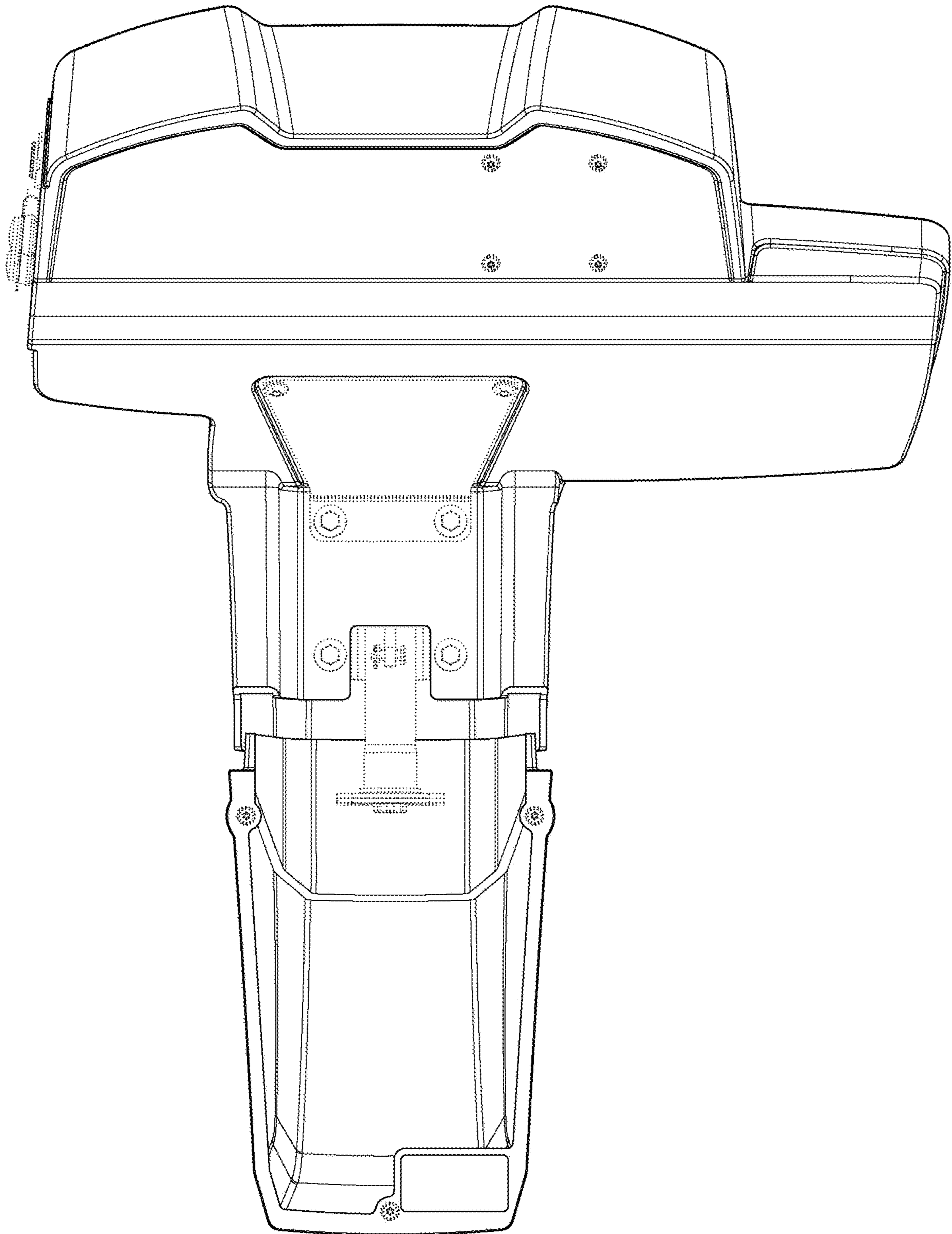


FIG. 10