



US00D903723S

(12) **United States Design Patent** (10) **Patent No.:** **US D903,723 S**
Nommensen (45) **Date of Patent:** **** Dec. 1, 2020**

(54) **ROD COUPLER**
(71) Applicant: **COBALT EXTREME PTY LTD,**
Woolloongabba (AU)
(72) Inventor: **David C. Nommensen,** Brisbane (AU)
(73) Assignee: **COBALT EXTREME PTY LTD,**
Woolloongabba (AU)
(**) Term: **15 Years**
(21) Appl. No.: **29/665,966**
(22) Filed: **Oct. 9, 2018**

5,452,760 A * 9/1995 Bertagnolli E21B 37/02
166/176
5,613,556 A * 3/1997 Sable E21B 17/1042
166/241.4
D665,825 S * 8/2012 Andriago D15/21
8,336,645 B2 * 12/2012 Robson E21B 17/10
166/241.6
8,607,900 B1 * 12/2013 Smith E21B 10/26
175/323
9,151,119 B1 * 10/2015 Smith E21B 10/26
9,447,670 B2 * 9/2016 Hofman E21B 43/26
9,869,135 B1 * 1/2018 Martin B21H 3/04
10,316,595 B2 * 6/2019 Svendsen E21B 7/28
D863,919 S * 10/2019 Spatz D8/70
D874,234 S * 2/2020 Spatz D8/70
D874,235 S * 2/2020 Spatz D8/70

(Continued)

(30) **Foreign Application Priority Data**

Apr. 9, 2018 (AU) 201812056

(51) **LOC (12) Cl.** **15-04**

(52) **U.S. Cl.**
USPC **D15/21**

(58) **Field of Classification Search**
USPC D8/382, 396, 397, 398; D23/249, 259,
D23/260, 262, 266; D15/21, 138, 139
CPC E21B 17/1078; E21B 43/126; E21B
17/1071; E21B 17/04; E21B 17/042
See application file for complete search history.

(56) **References Cited**

U.S. PATENT DOCUMENTS

1,407,327 A 2/1922 Giles
1,762,057 A 6/1929 Gates et al.
2,070,077 A 2/1937 Davis
4,275,935 A * 6/1981 Thompson E21B 7/04
175/325.7
4,385,669 A * 5/1983 Knutsen E21B 10/26
175/323
4,534,585 A 8/1985 Saliger
4,668,117 A * 5/1987 Bair E21B 17/1042
166/176

FOREIGN PATENT DOCUMENTS

CA 2615294 A1 6/2009

Primary Examiner — Sandra Snapp
Assistant Examiner — Ieisha N Price
(74) *Attorney, Agent, or Firm* — Greer, Burns & Crain,
Ltd.

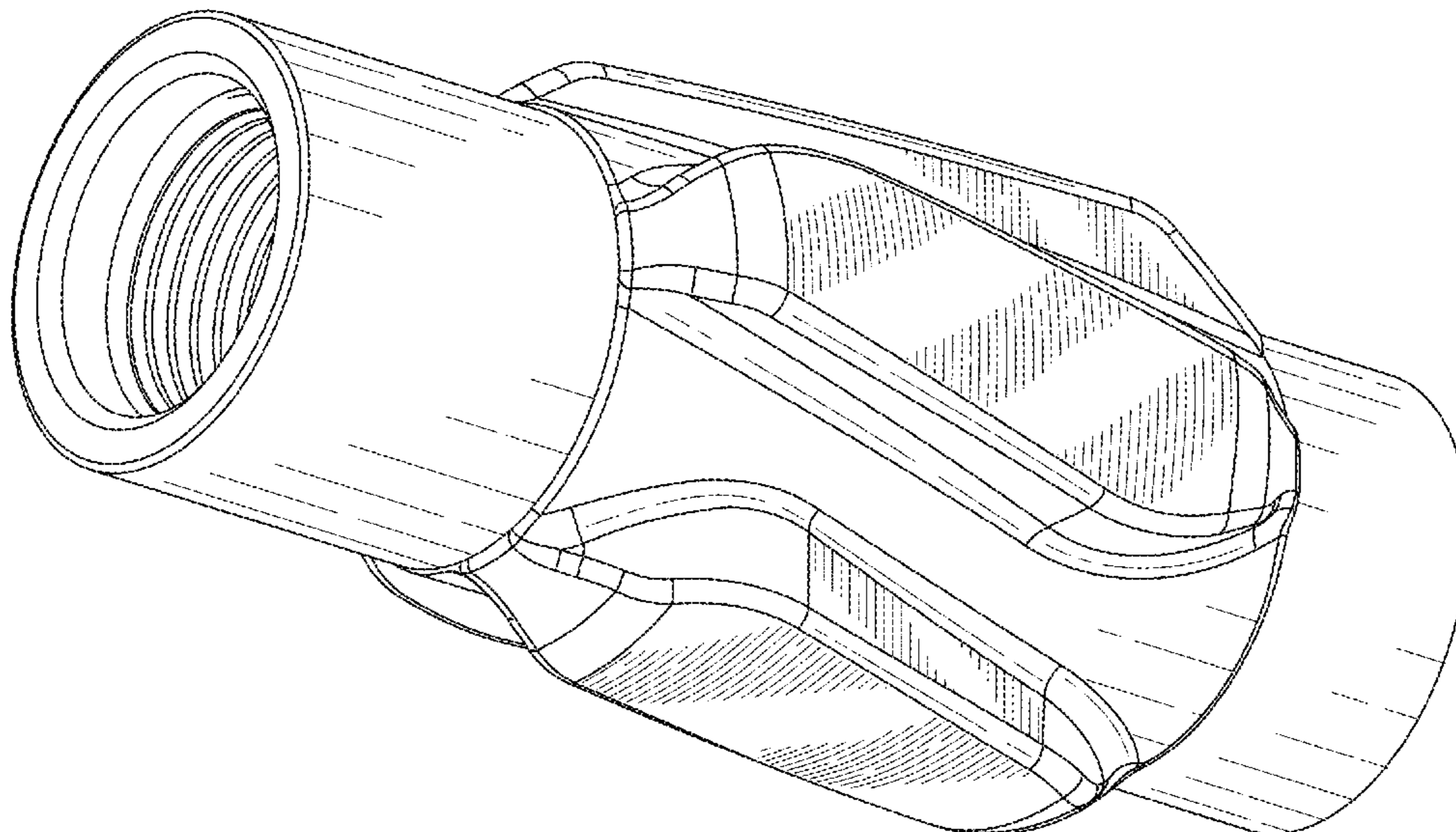
(57) **CLAIM**

The ornamental design for a rod coupler, as shown and described.

DESCRIPTION

FIG. 1 is a front view of the present rod coupler;
FIG. 2 is a right side view of the rod coupler of FIG. 1;
FIG. 3 is a left side view of the rod coupler of FIG. 1;
FIG. 4 is a bottom view of the rod coupler of FIG. 1;
FIG. 5 is a rear view of the rod coupler of FIG. 1;
FIG. 6 is a top perspective view of the rod coupler of FIG. 1; and,
FIG. 7 is a top view of the rod coupler of FIG. 1.
The broken lines in the drawings illustrate portions of the rod coupler which form no part of the claimed design.

1 Claim, 7 Drawing Sheets



(56)

References Cited

U.S. PATENT DOCUMENTS

D875,145	S *	2/2020	Spatz	D15/138
D875,146	S *	2/2020	Spatz	D15/138
D877,780	S *	3/2020	Spatz	D15/21
2004/0011532	A1 *	1/2004	White	E21B 17/1071 166/381
2006/0070731	A1 *	4/2006	Fouillou	E21B 17/1078 166/241.4
2006/0201670	A1 *	9/2006	Stewart	E21B 17/1078 166/241.6
2010/0243257	A1 *	9/2010	Krieg	E21B 37/02 166/311
2012/0088588	A1	4/2012	Xin et al.		
2012/0168149	A1 *	7/2012	Kaltwasser	E21B 17/1064 166/241.4
2012/0186818	A1 *	7/2012	Wollmann	E21B 17/042 166/301
2012/0292021	A1 *	11/2012	Kaltwasser	E21B 17/1071 166/241.4
2013/0098601	A1 *	4/2013	Pereyra	E21B 17/1042 166/241.4
2014/0246247	A1 *	9/2014	Smith	E21B 10/26 175/394
2016/0177635	A1 *	6/2016	Morrow	E21B 17/1071 166/241.6
2016/0186504	A1 *	6/2016	Simpson	E21B 17/1078 175/57
2017/0114597	A1 *	4/2017	Chevalier	E21B 29/00
2018/0080288	A1 *	3/2018	Nommensen	E21B 17/1078
2018/0112472	A1 *	4/2018	Gaskins	E21B 17/1078

* cited by examiner

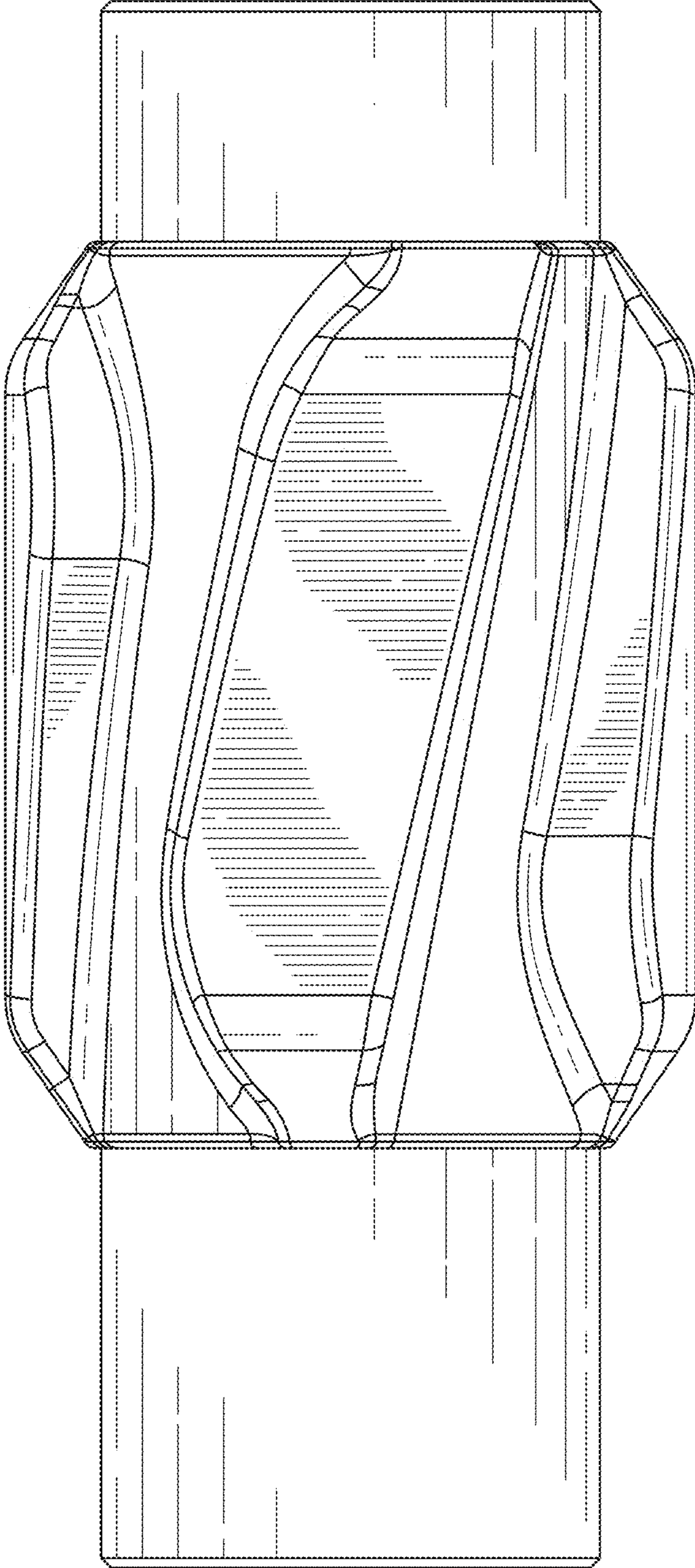


FIG. 1

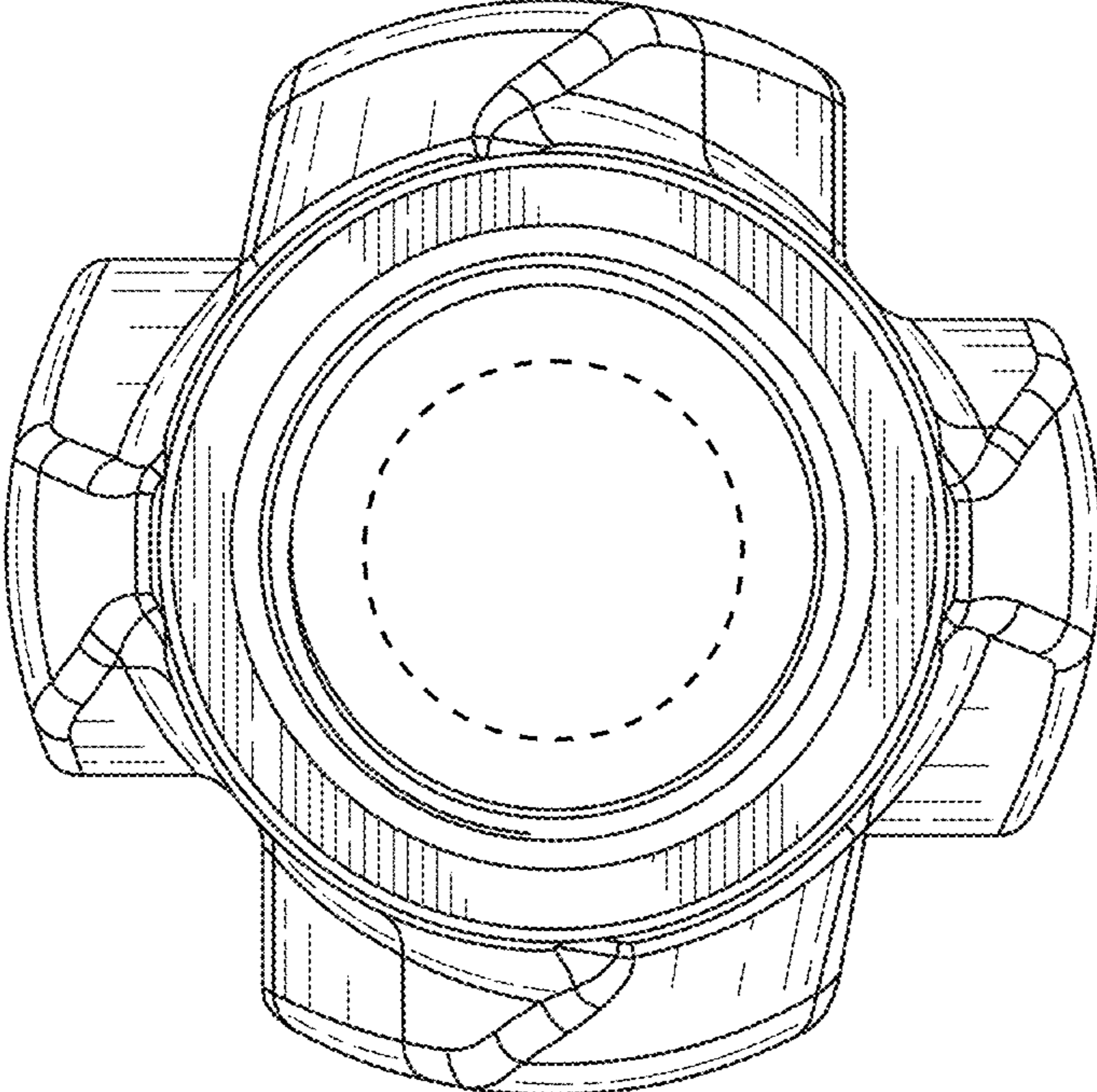


FIG. 2

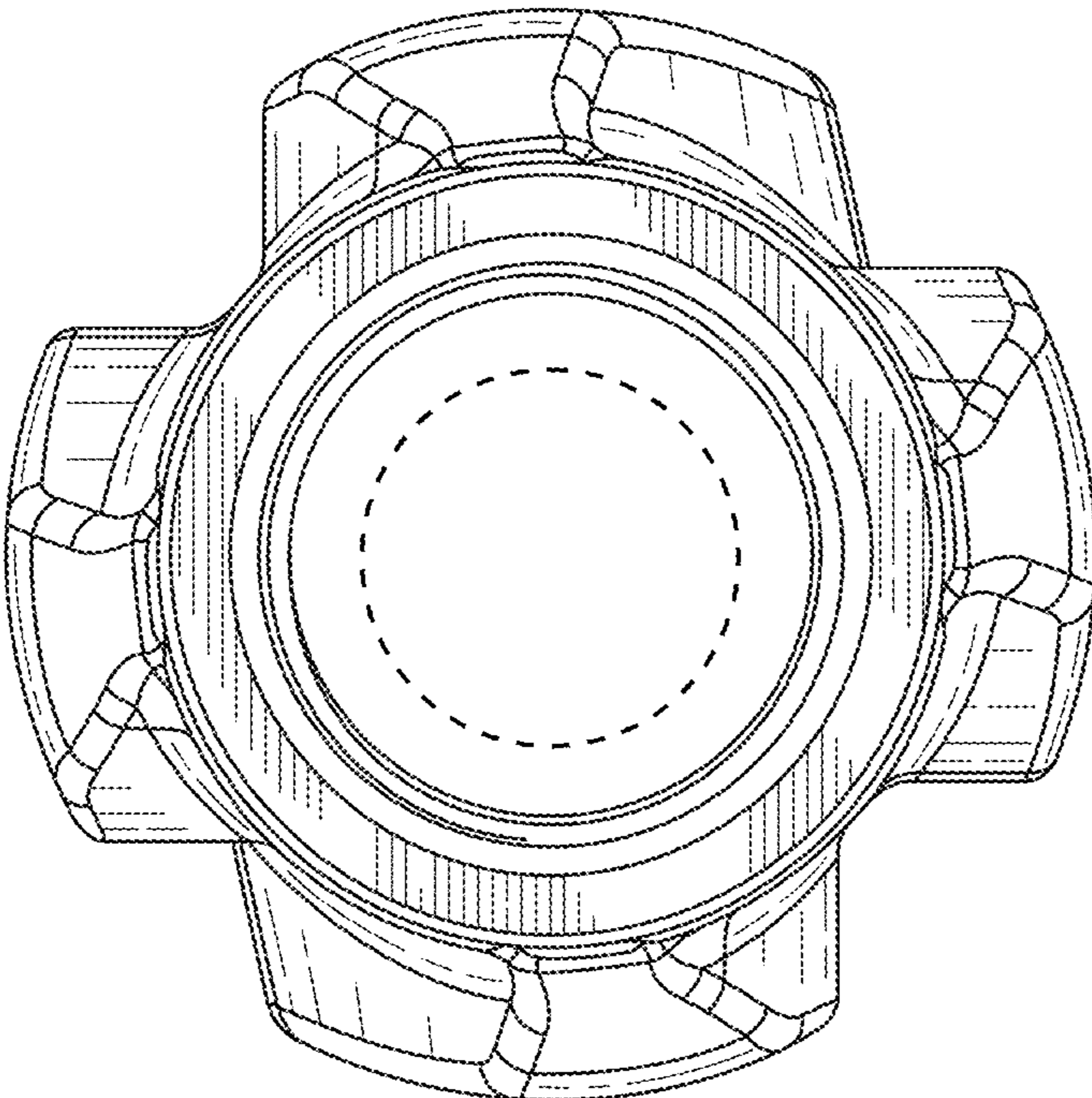


FIG. 3

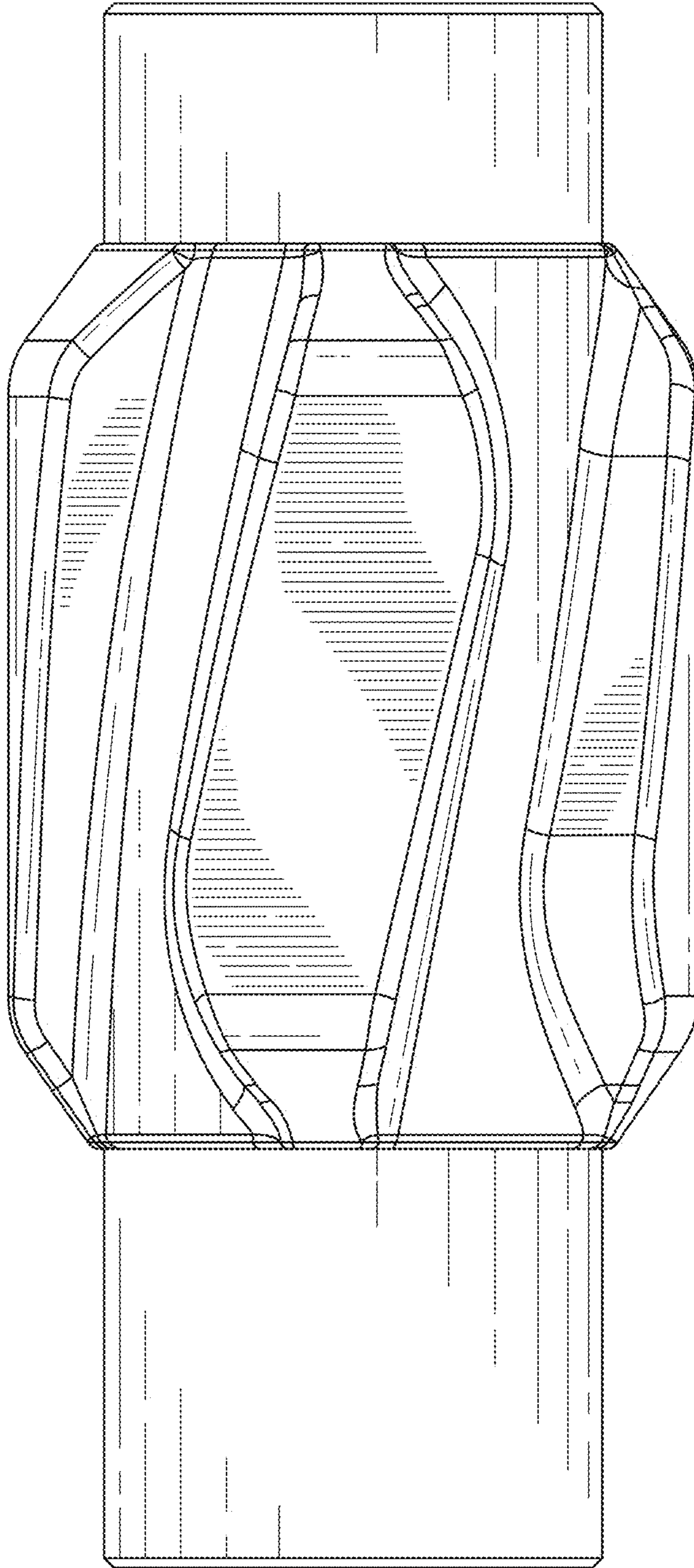


FIG. 4

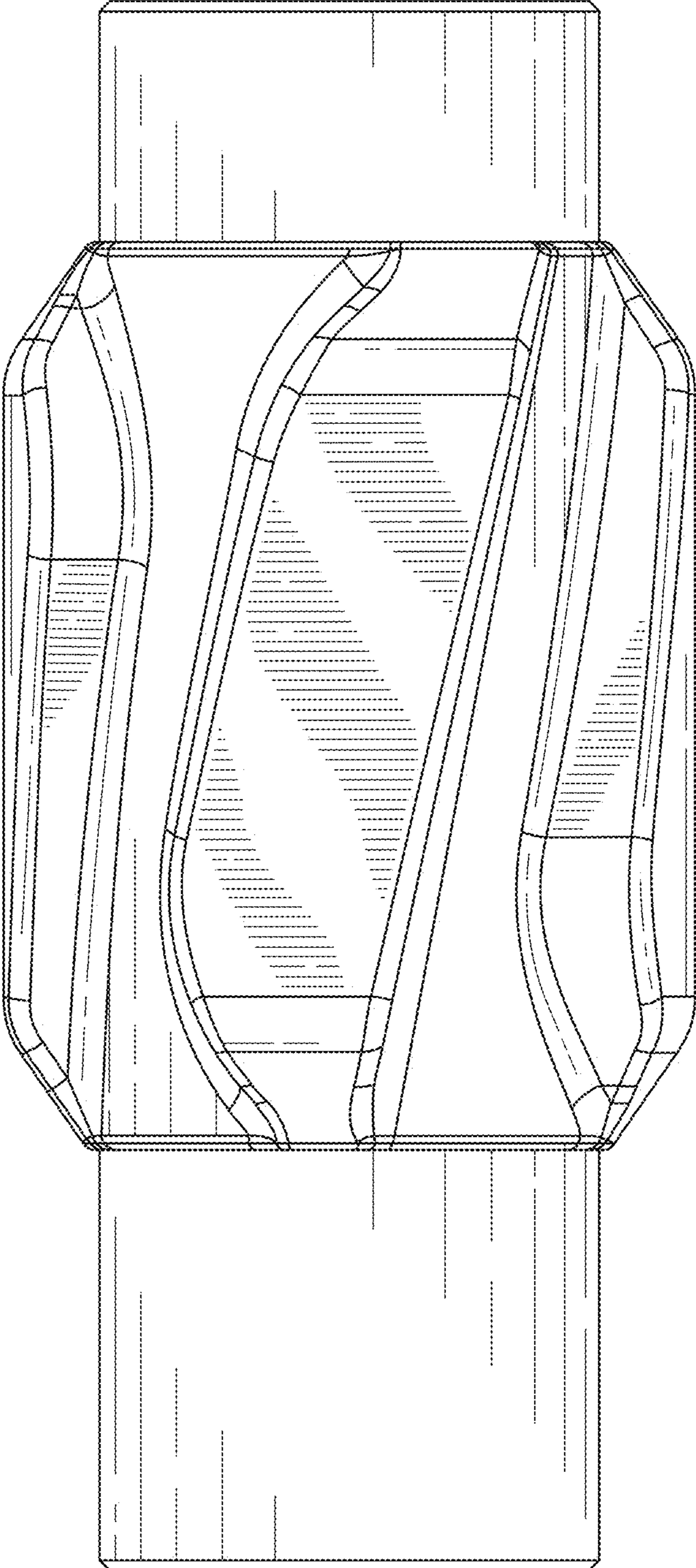


FIG. 5

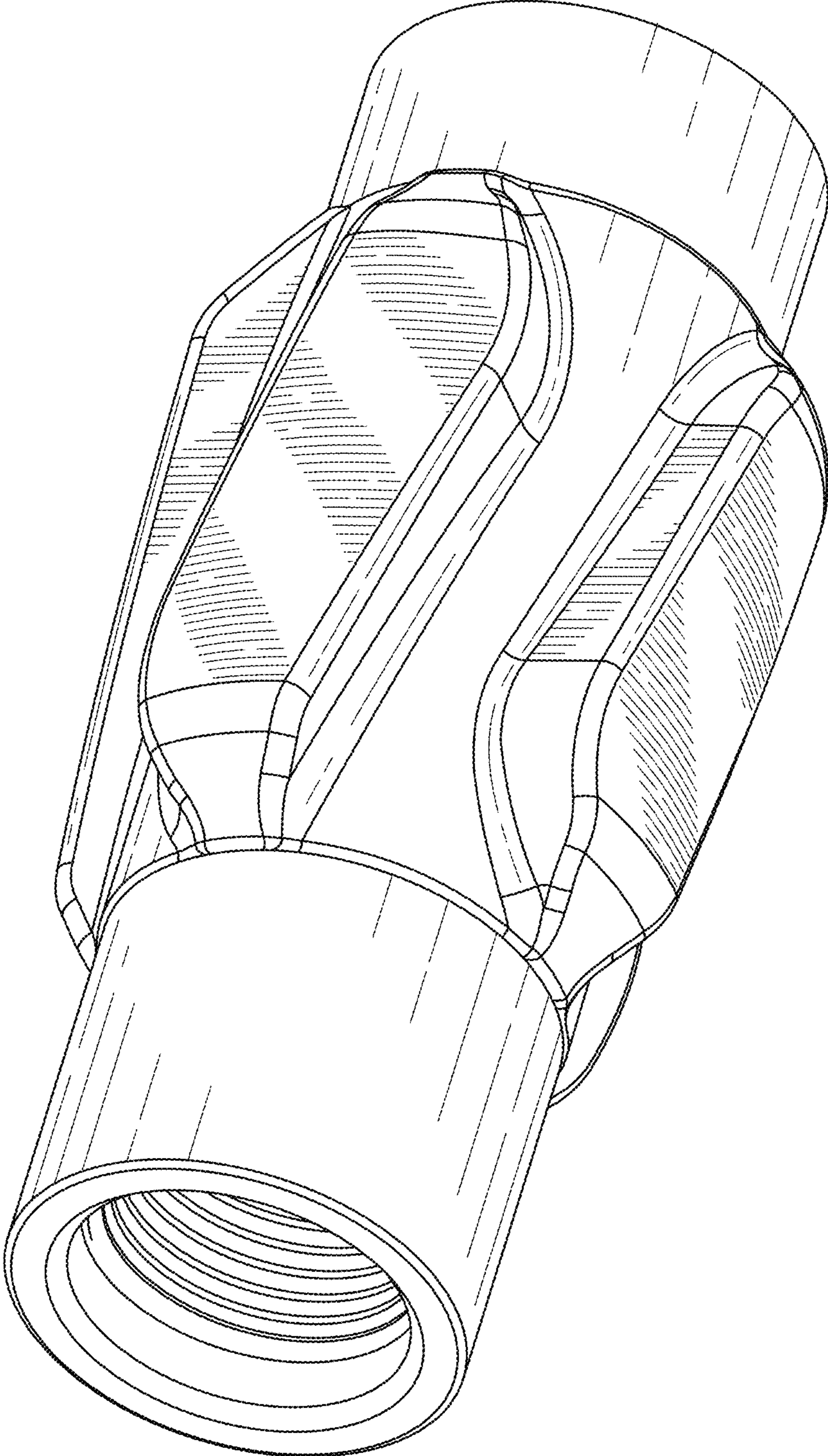


FIG. 6

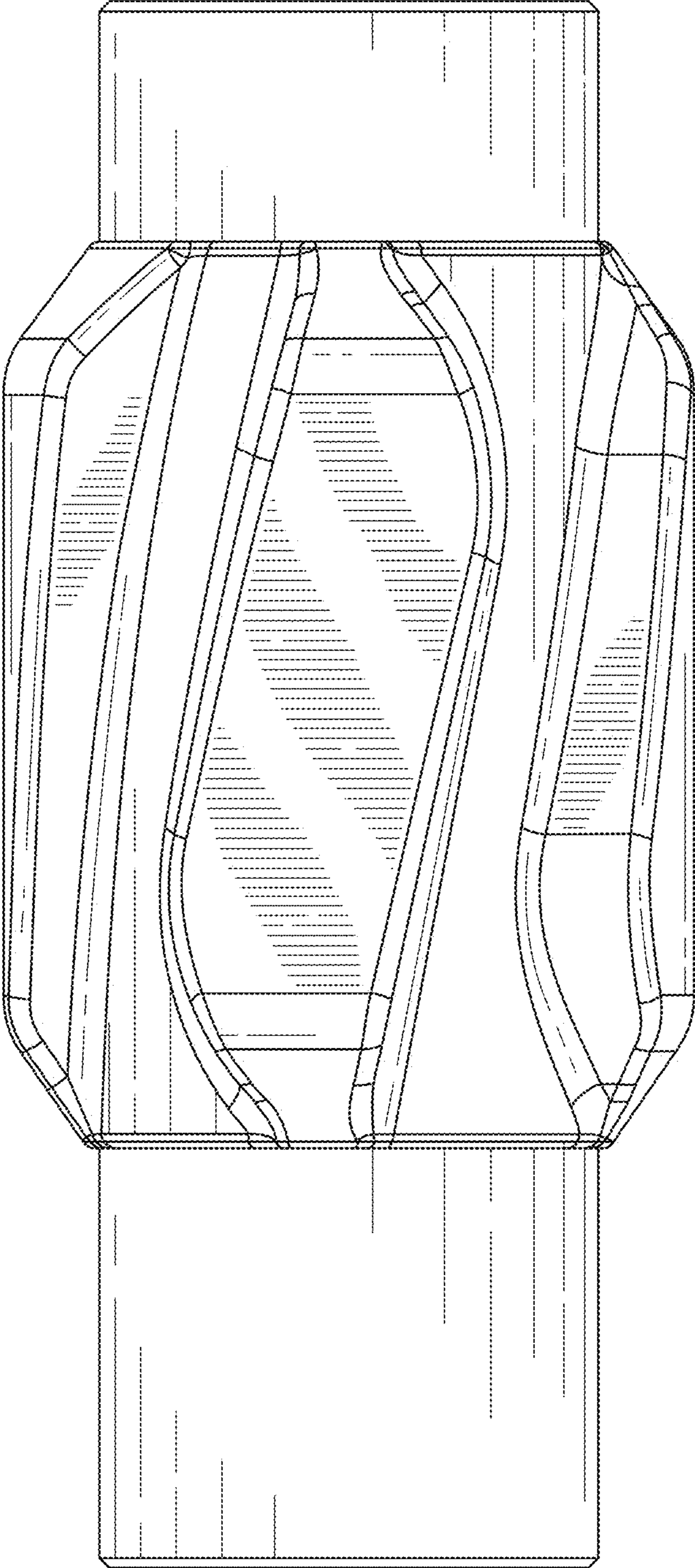


FIG. 7