



US00D903722S

(12) **United States Design Patent**
Loew

(10) **Patent No.:** **US D903,722 S**
(45) **Date of Patent:** **** Dec. 1, 2020**

(54) **AUTONOMOUS TANDEM ROLLER**

D799,557 S * 10/2017 Renz D15/20
D799,558 S * 10/2017 Renz D15/20
D799,559 S * 10/2017 Renz D15/20

(71) Applicant: **BOMAG GmbH**, Boppard (DE)

* cited by examiner

(72) Inventor: **Roland Loew**, Klein-Winternheim (DE)

Primary Examiner — Mark A Goodwin

(73) Assignee: **BOMAG GmbH**, Boppard (DE)

(74) *Attorney, Agent, or Firm* — Wood Herron & Evans
LLP

(**) Term: **15 Years**

(57) **CLAIM**

(21) Appl. No.: **29/700,839**

The ornamental design for an autonomous tandem roller, as shown and described.

(22) Filed: **Aug. 6, 2019**

DESCRIPTION

(30) **Foreign Application Priority Data**

Feb. 25, 2019 (EM) 006266128-0002

(51) **LOC (12) Cl.** **15-03**

(52) **U.S. Cl.**
USPC **D15/20**

(58) **Field of Classification Search**
USPC D15/10, 20, 22, 28, 33
CPC E02D 3/00-126; B30B 15/00
See application file for complete search history.

FIG. 1 is a front left perspective view of my new autonomous tandem roller;
FIG. 2 is a top right perspective view thereof;
FIG. 3 is a rear left perspective view thereof;
FIG. 4 is a top rear perspective view thereof;
FIG. 5 is a front elevation view thereof;
FIG. 6 is a rear elevation view thereof;
FIG. 7 is a right side elevation view thereof;
FIG. 8 is a left side elevation view thereof;
FIG. 9 is a top plan view thereof; and,
FIG. 10 is a bottom plan view thereof.

The broken lines in the figures are for illustrative purposes only and represent non-claimed environmental subject matter. Neither the portions of the invention shown in broken lines nor the broken lines themselves form any part of the claimed design.

(56) **References Cited**

U.S. PATENT DOCUMENTS

D454,141 S * 3/2002 Geier D15/20
D461,197 S * 8/2002 Geier D15/20
D621,422 S * 8/2010 Loew D15/20
D753,190 S * 4/2016 Geier D15/20

1 Claim, 10 Drawing Sheets

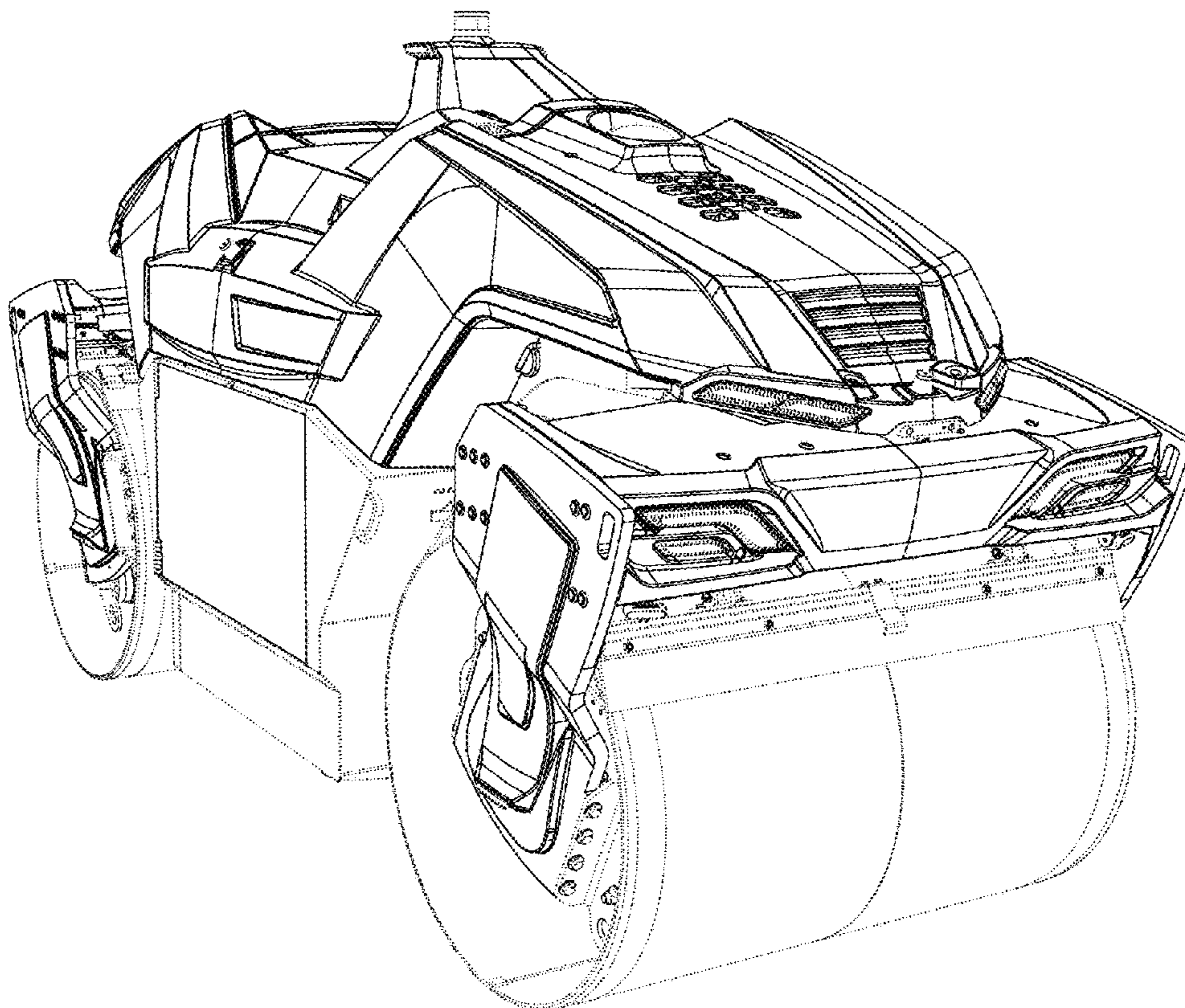
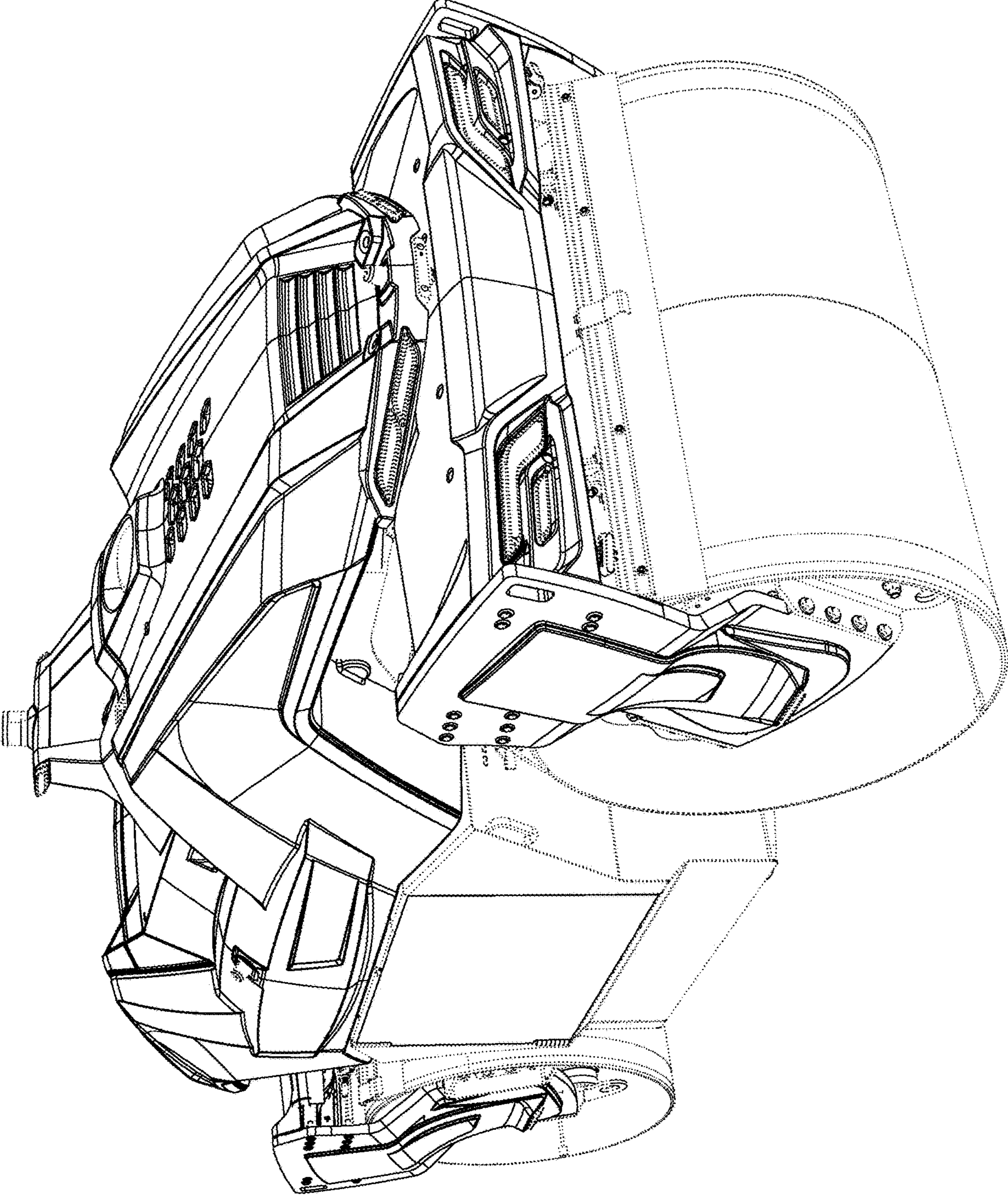


FIG. 1



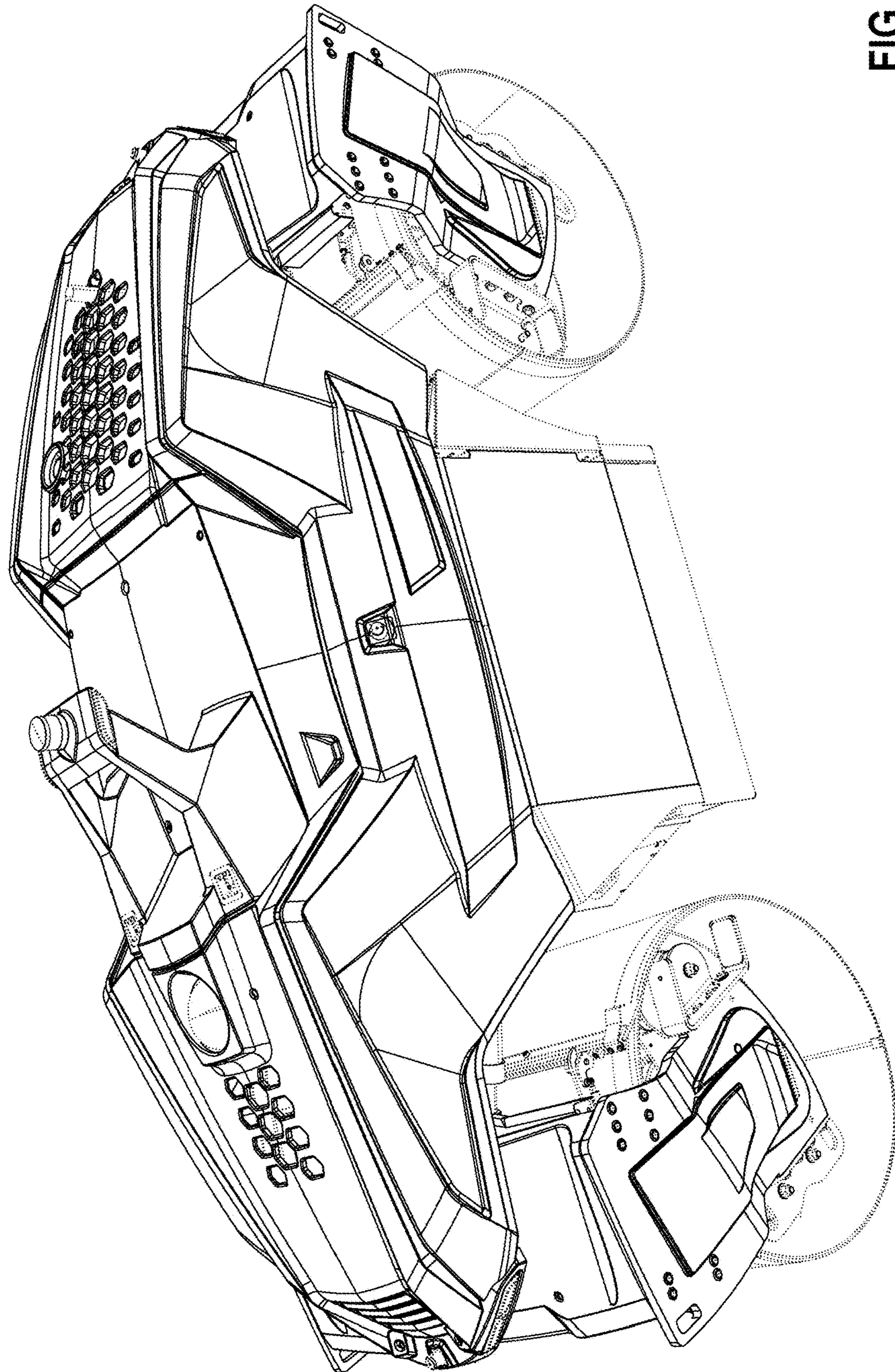


FIG. 2

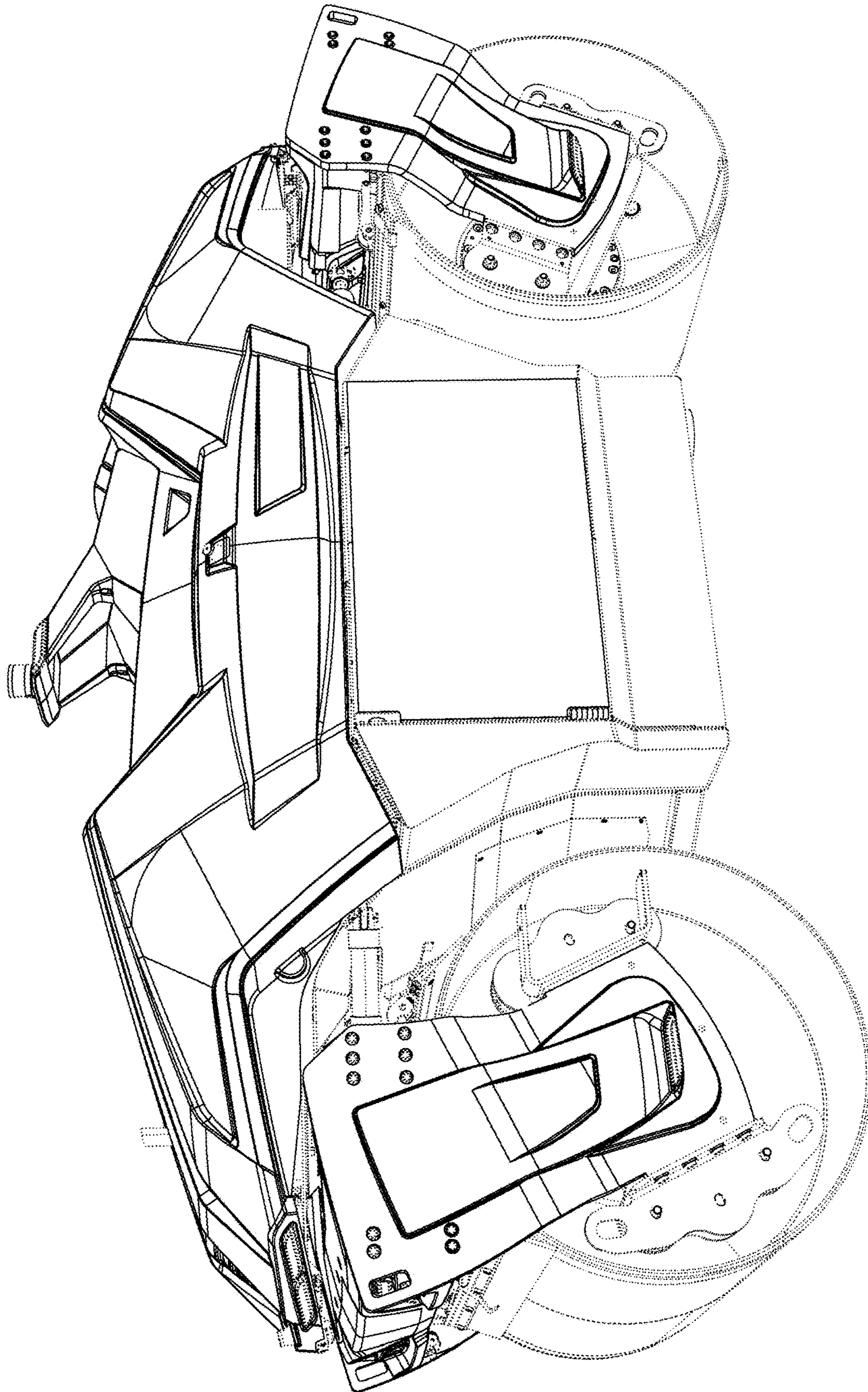


FIG. 3

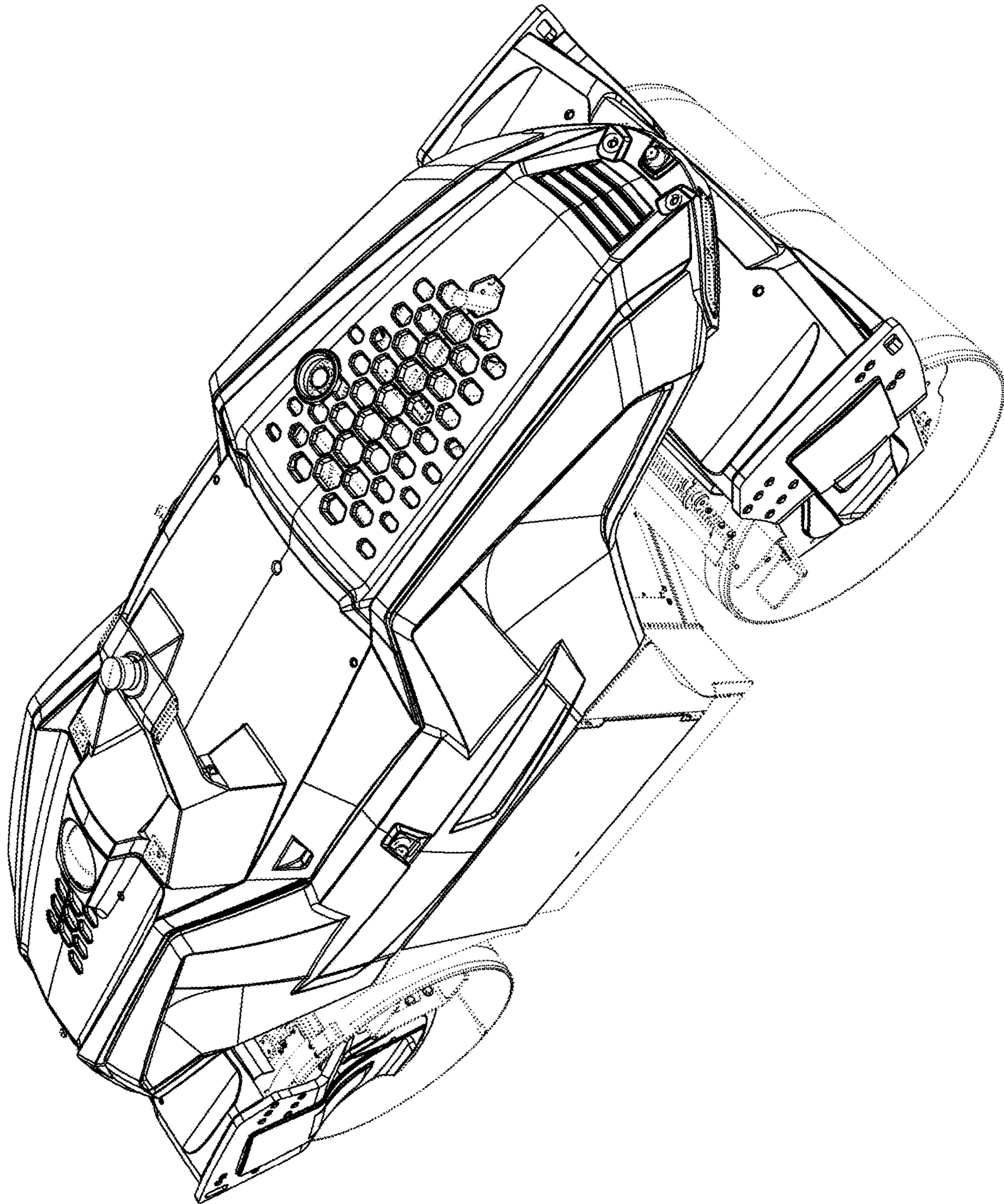


FIG. 4

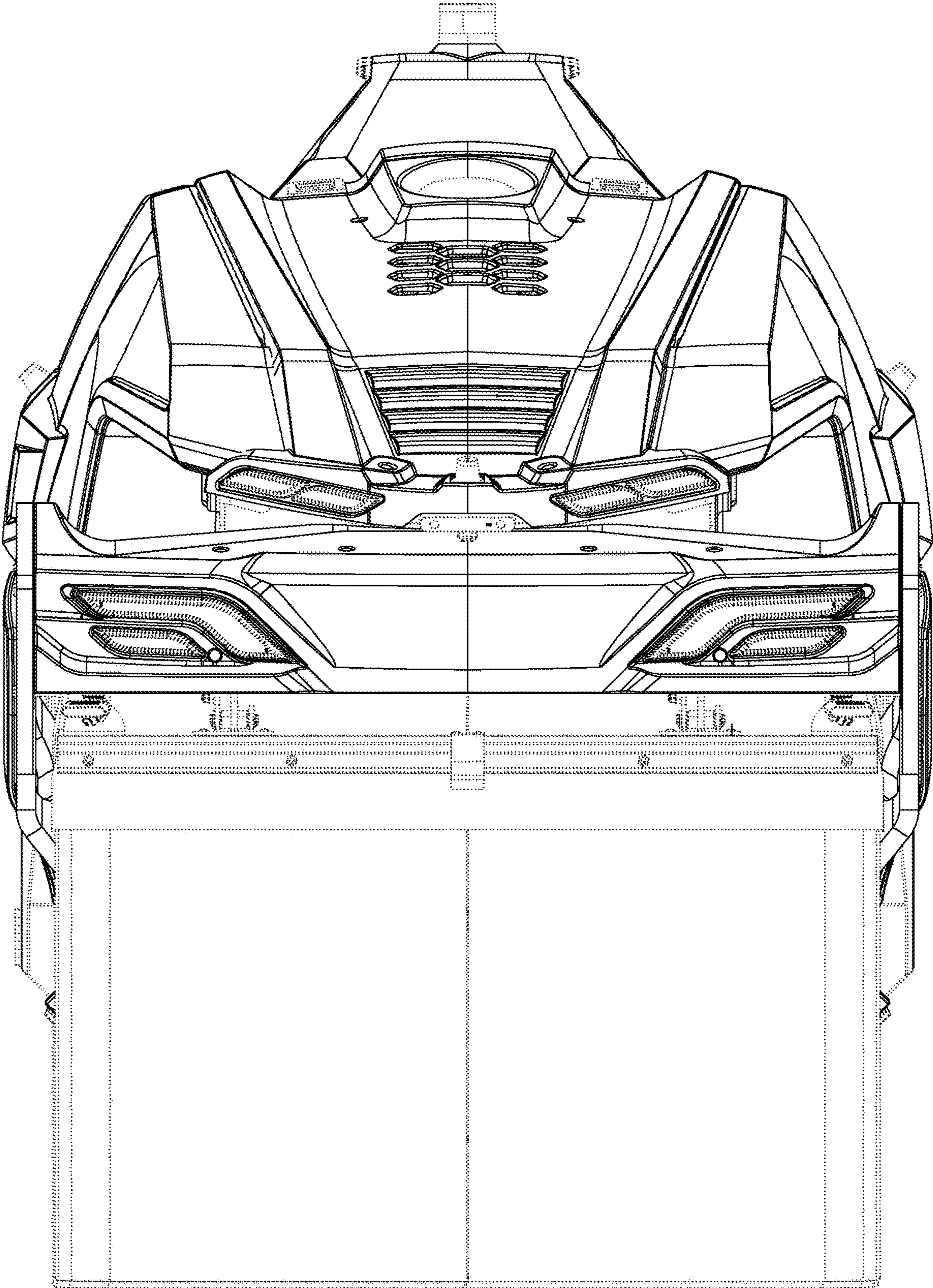


FIG. 5

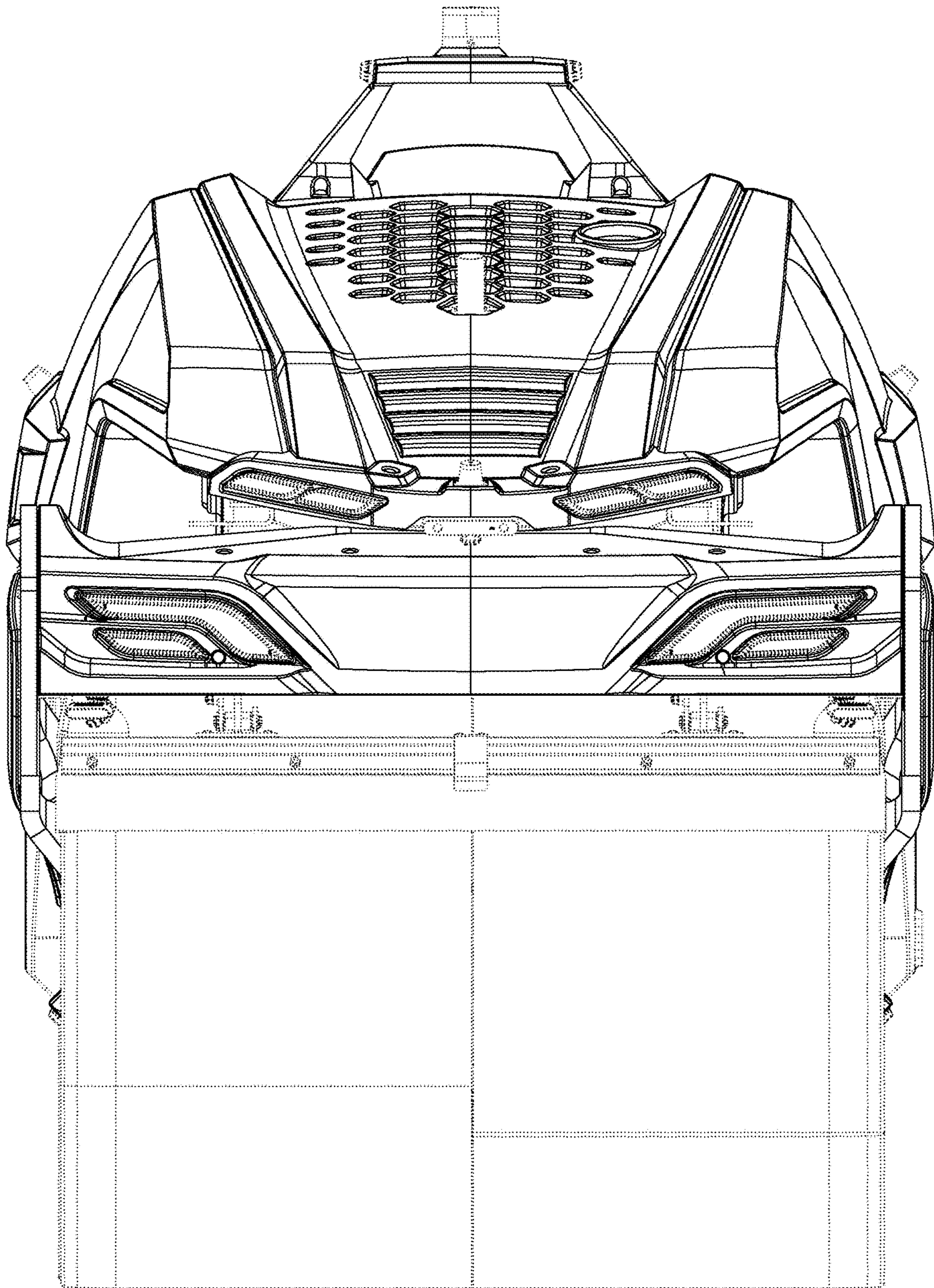


FIG. 6

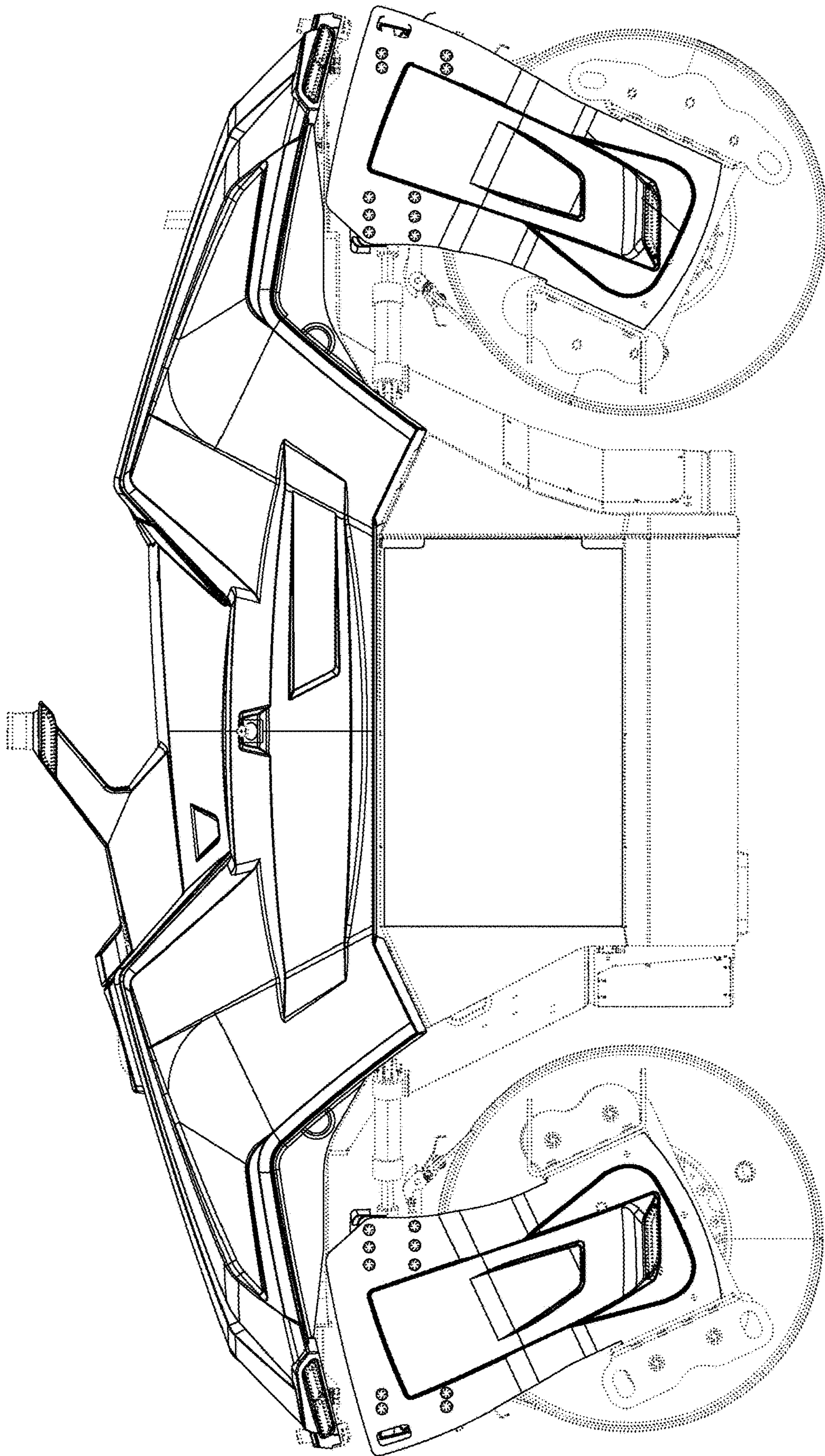


FIG. 7

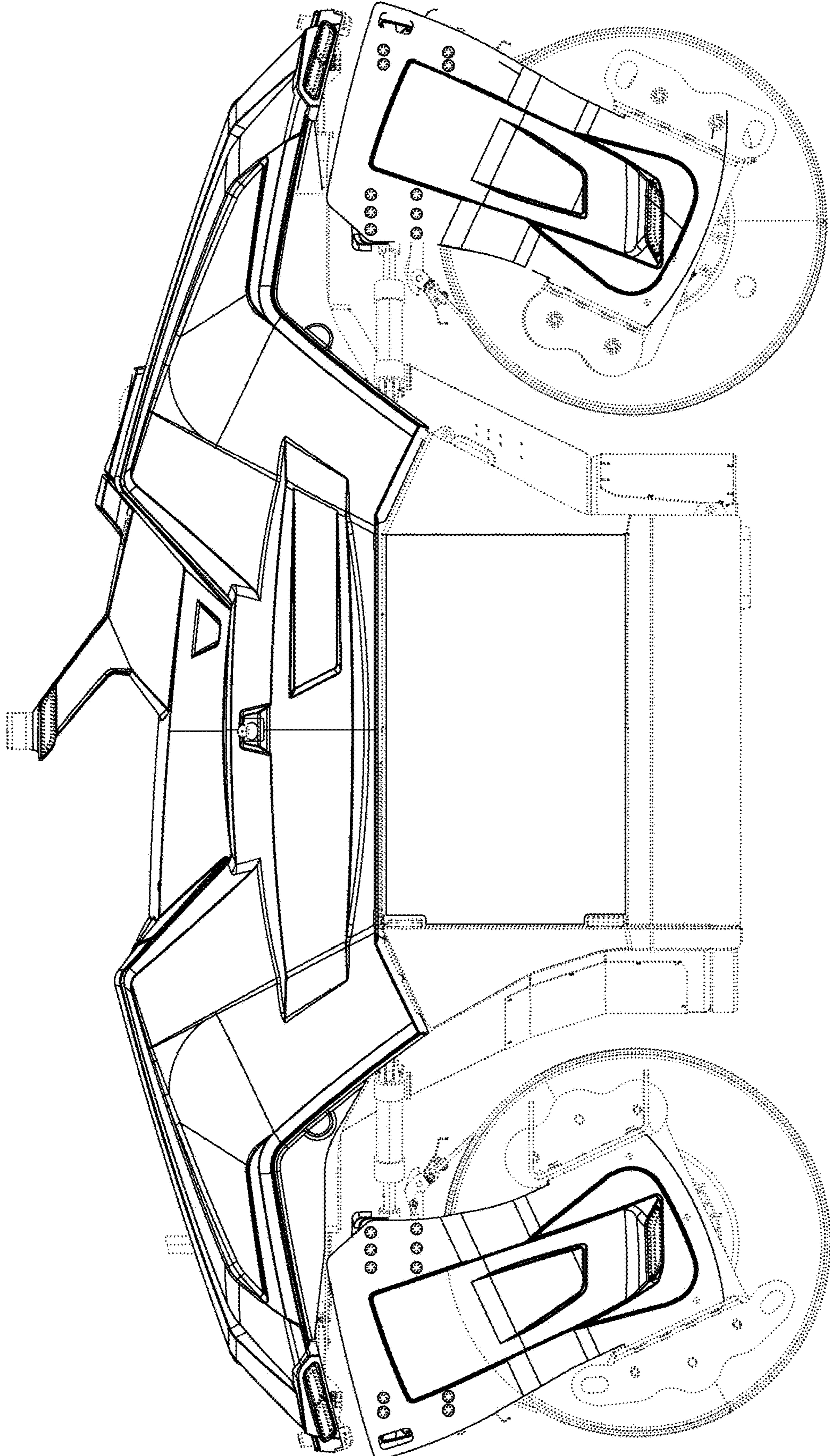


FIG. 8

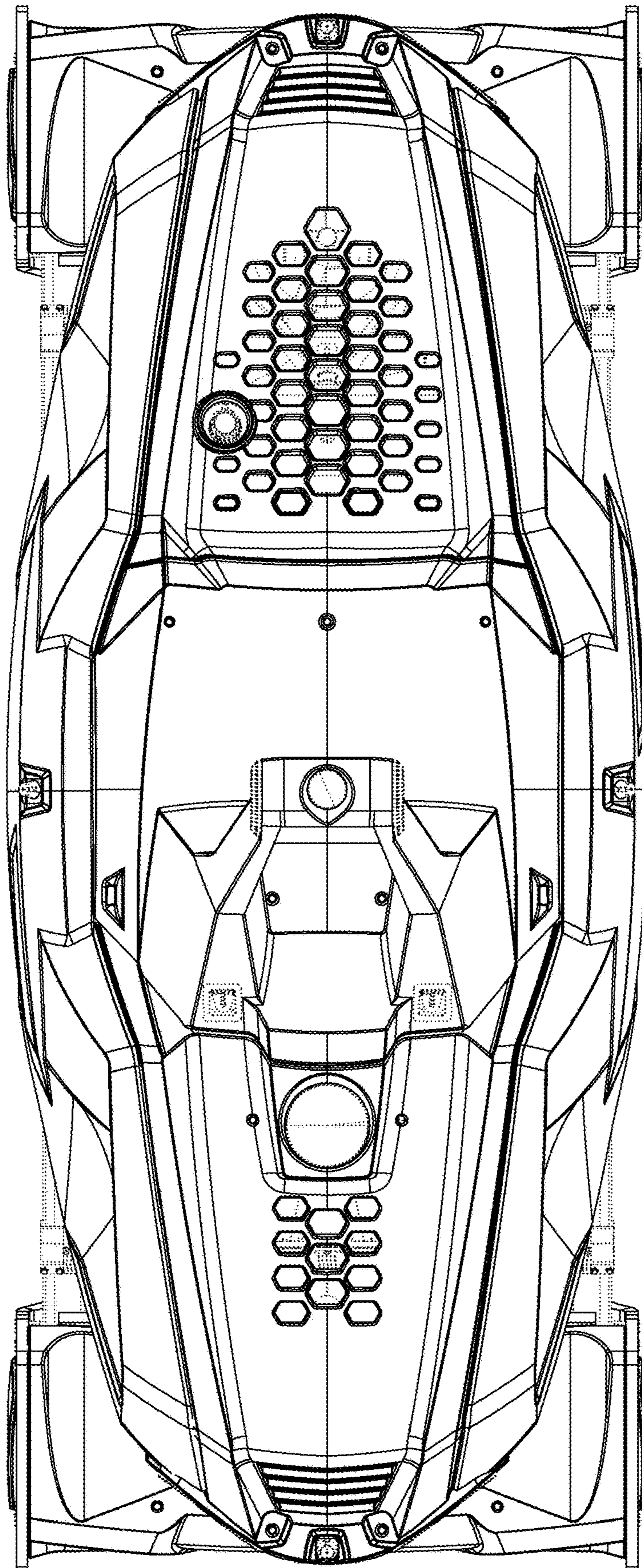


FIG. 9

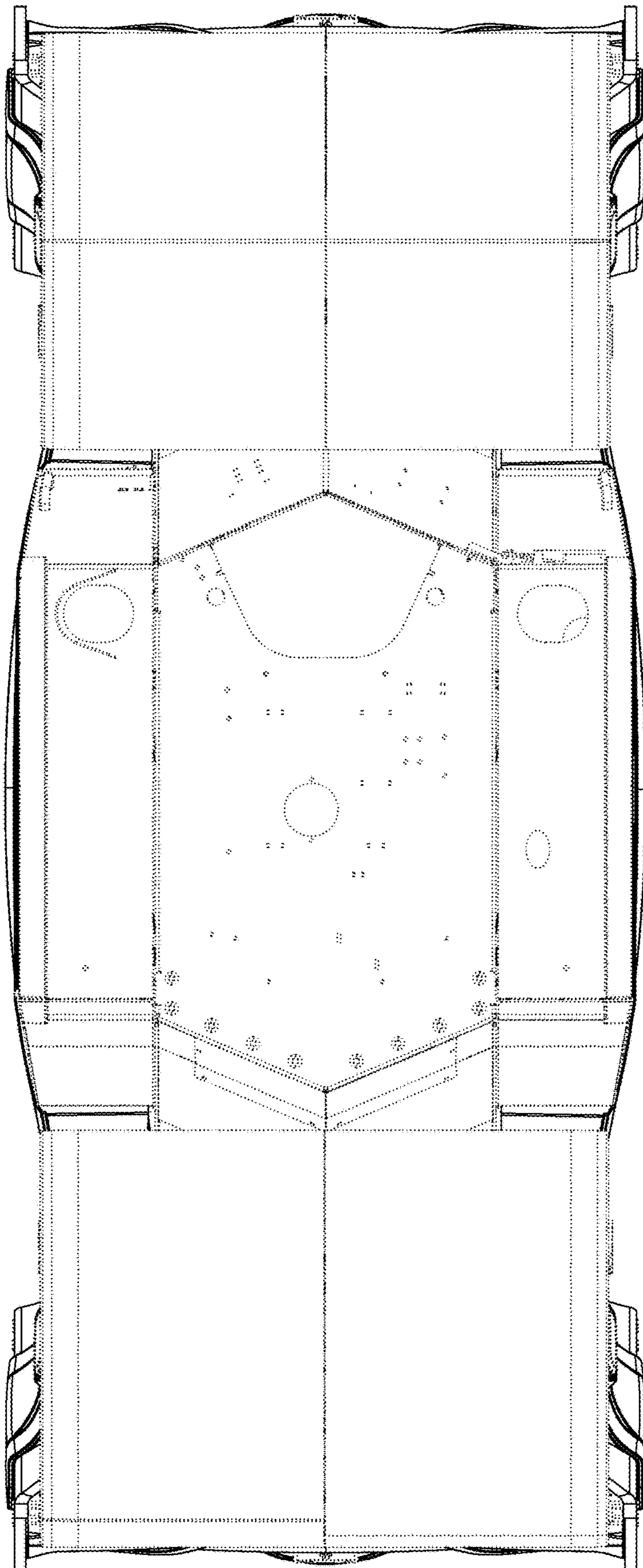


FIG. 10