



US00D903721S

(12) **United States Design Patent** (10) **Patent No.:** **US D903,721 S**
Liao (45) **Date of Patent:** **** Dec. 1, 2020**

(54) **PUMPING DEVICE**
(71) Applicant: **LIH YANN INDUSTRIAL CO., LTD.,**
Taichung (TW)
(72) Inventor: **Po-Lin Liao**, Taichung (TW)
(73) Assignee: **LIH YANN INDUSTRIAL CO., LTD.,**
Taichung (TW)
(**) Term: **15 Years**
(21) Appl. No.: **29/679,450**
(22) Filed: **Feb. 6, 2019**
(51) **LOC (12) Cl.** **15-02**
(52) **U.S. Cl.**
USPC **D15/9.1; D15/7**
(58) **Field of Classification Search**
USPC **D15/7, 9.1; D23/231**
CPC **F04B 9/14; F04B 47/024; F04B 33/00;**
F04B 33/005; F16K 11/0712; B67D 7/00;
B67D 7/007; B67D 7/04; B67D 7/60
See application file for complete search history.

2012/0275944 A1* 11/2012 Chuang F04F 1/06
417/442
2019/0309739 A1* 10/2019 Liao B67D 7/0205
2020/0123000 A1* 4/2020 Chen B67D 7/04

FOREIGN PATENT DOCUMENTS

CN 201430433406 * 5/2015

OTHER PUBLICATIONS

Alibaba.com, Pneumatic manual oil extractor drain equipment, (site visited May 1, 2020), Available from Alibaba.com URL:<https://www.alibaba.com/product-detail/Pneumatic-manual-oil-extractor-drain-equipment_60832026234.html> (Year: 2020).*

(Continued)

Primary Examiner — Sheryl Lane
Assistant Examiner — Mark T. Philipps
(74) *Attorney, Agent, or Firm* — Muncy, Geissler, Olds & Lowe, PC

(57) **CLAIM**

I claim the ornamental design for a pumping device, as shown and described.

(56) **References Cited**

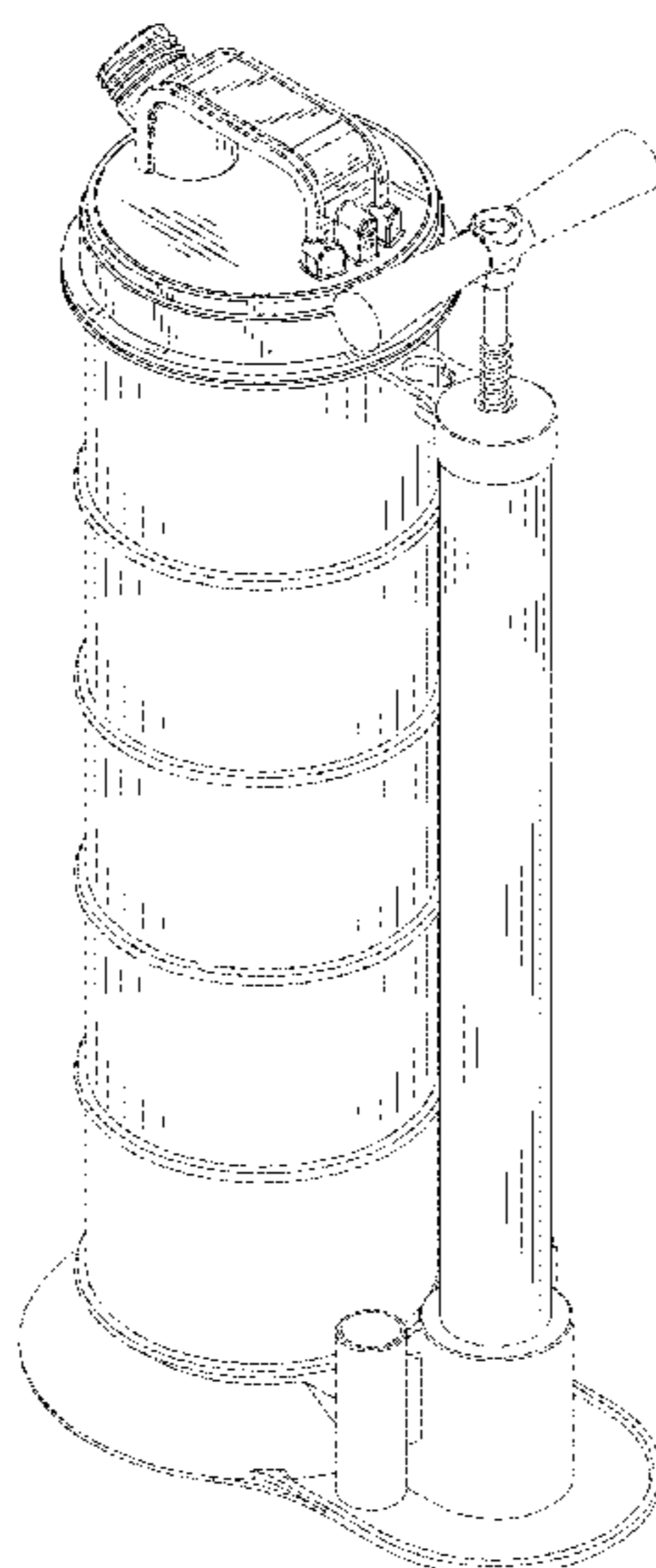
U.S. PATENT DOCUMENTS

D238,069 S * 12/1975 Dubner D23/231
5,450,924 A * 9/1995 Tseng F01M 11/045
137/202
D452,726 S * 1/2002 Tsai D23/231
6,357,492 B1 * 3/2002 Hsu B67D 7/0205
137/565.25
D632,306 S * 2/2011 Wang D15/7
8,360,741 B2 * 1/2013 Chuang F04B 9/14
417/185
8,419,376 B2 * 4/2013 Sun F04B 33/00
141/67
9,046,113 B2 * 6/2015 Chuang F04F 5/14
9,222,471 B2 * 12/2015 Liao F04B 39/14
D885,440 S * 5/2020 Chen D15/7
2003/0035741 A1 * 2/2003 Tseng F04B 17/00
417/374

DESCRIPTION

FIG. 1 is a top, front, right perspective view of a pumping device showing my new design;
FIG. 2 is a front elevational view thereof;
FIG. 3 is a rear elevational view thereof;
FIG. 4 is a left side view thereof;
FIG. 5 is a right side view thereof;
FIG. 6 is a top plan view thereof;
FIG. 7 is a bottom plan view thereof; and,
FIG. 8 is a bottom, rear, left perspective view.
The broken lines in the drawings illustrate portions of the pumping device which form no part of the claimed design.

1 Claim, 7 Drawing Sheets



(56)

References Cited

OTHER PUBLICATIONS

Amazon.com, Mityvac 7201 Fluid Evacuator Plus, (first available May 9, 2006), Available for sale on Amazon.com URL:<<https://www.amazon.com/Mityvac-7201-Fluid-Evacuator-Plus/dp/B0002SR7TC/?tag=cb-global-20>> (Year: 2006).*

* cited by examiner

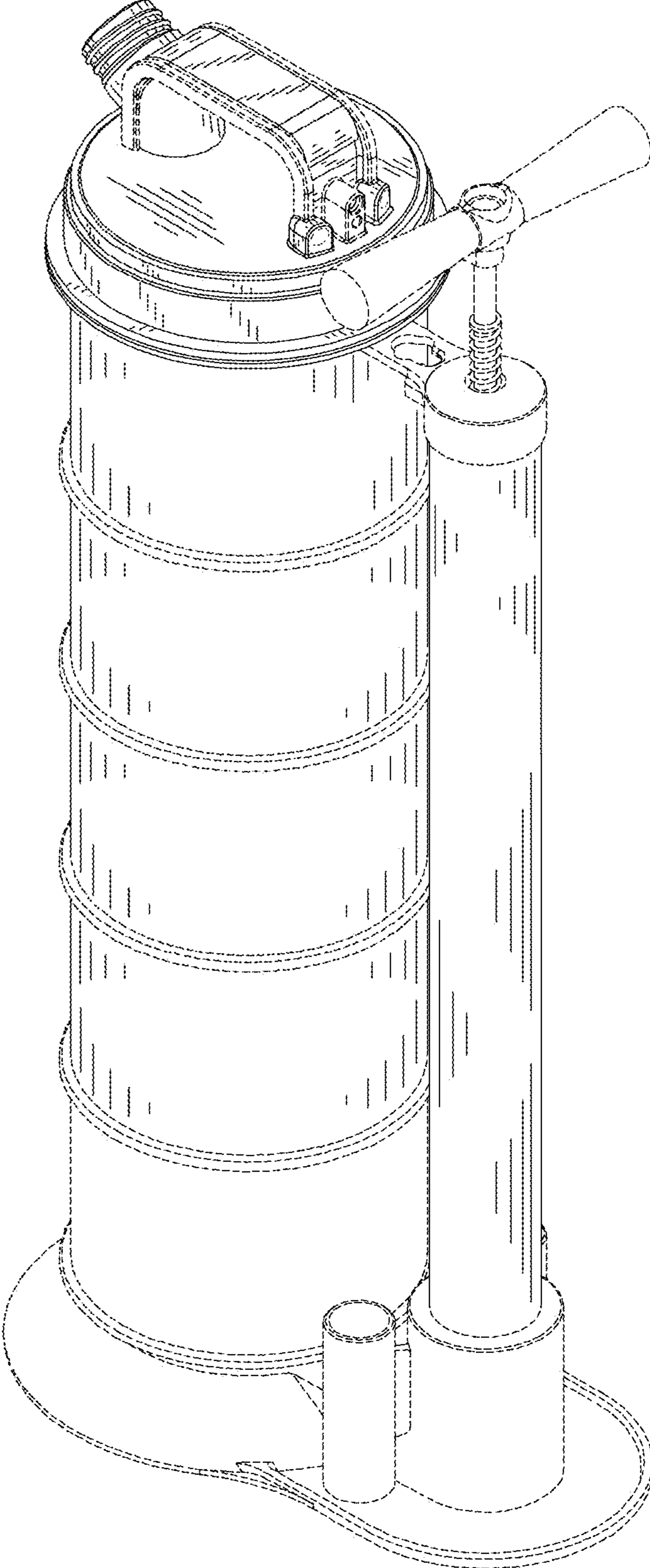


FIG. 1

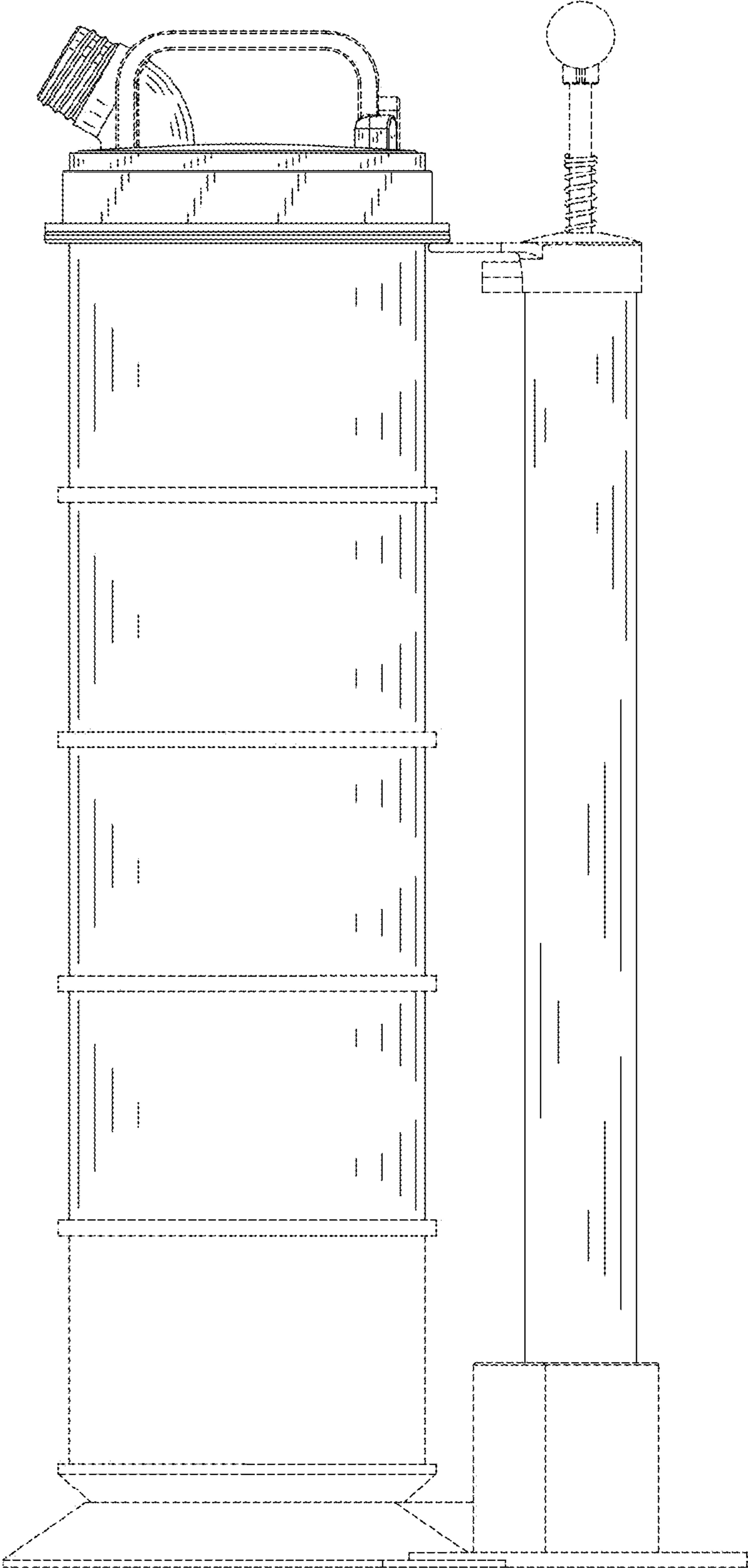


FIG. 2

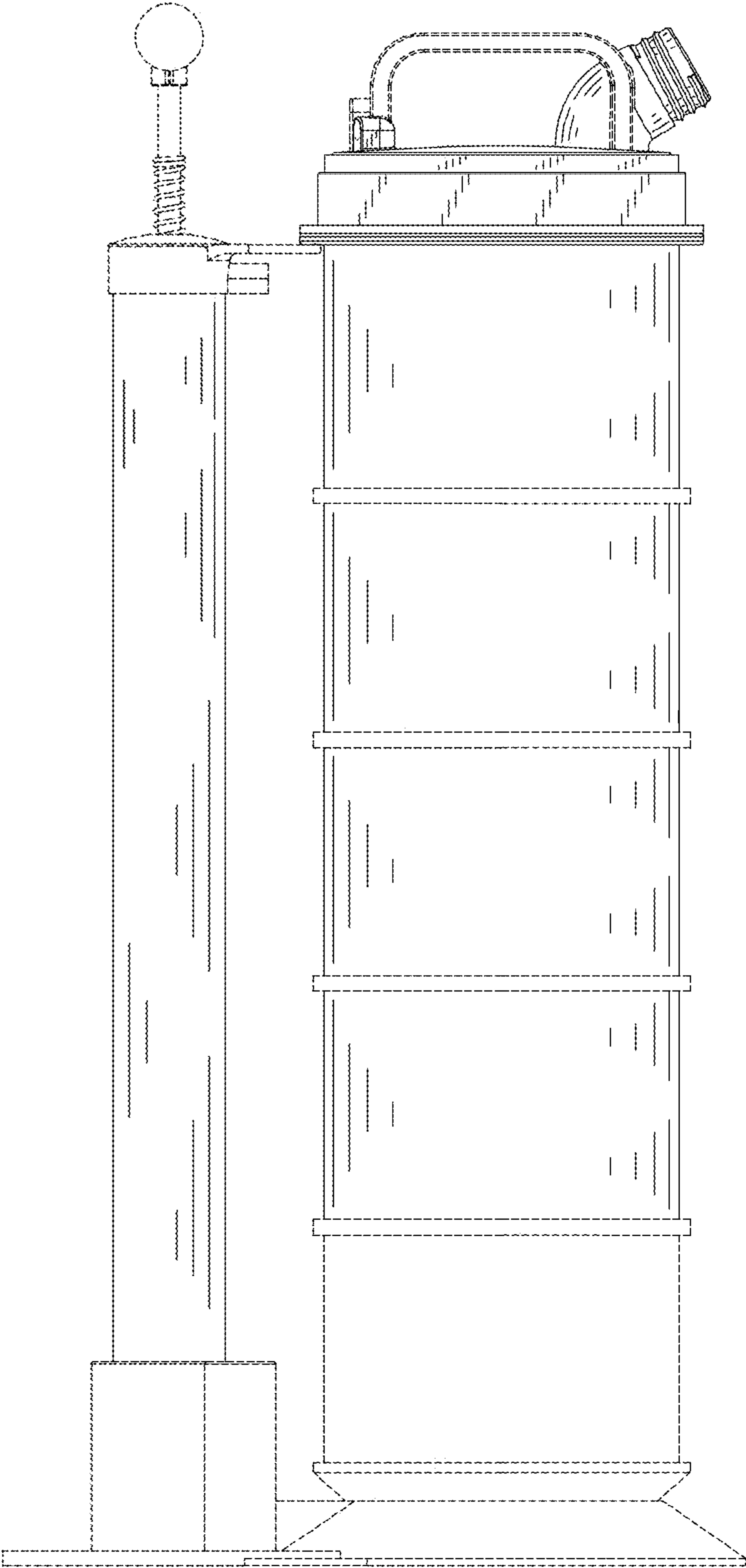


FIG. 3

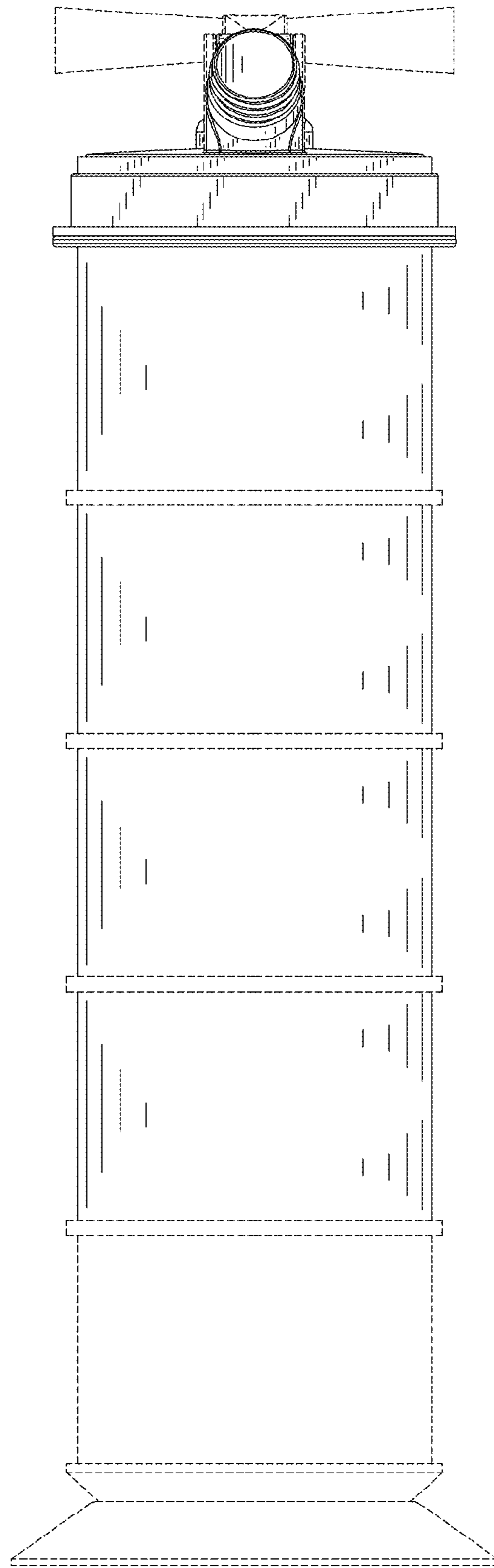


FIG. 4

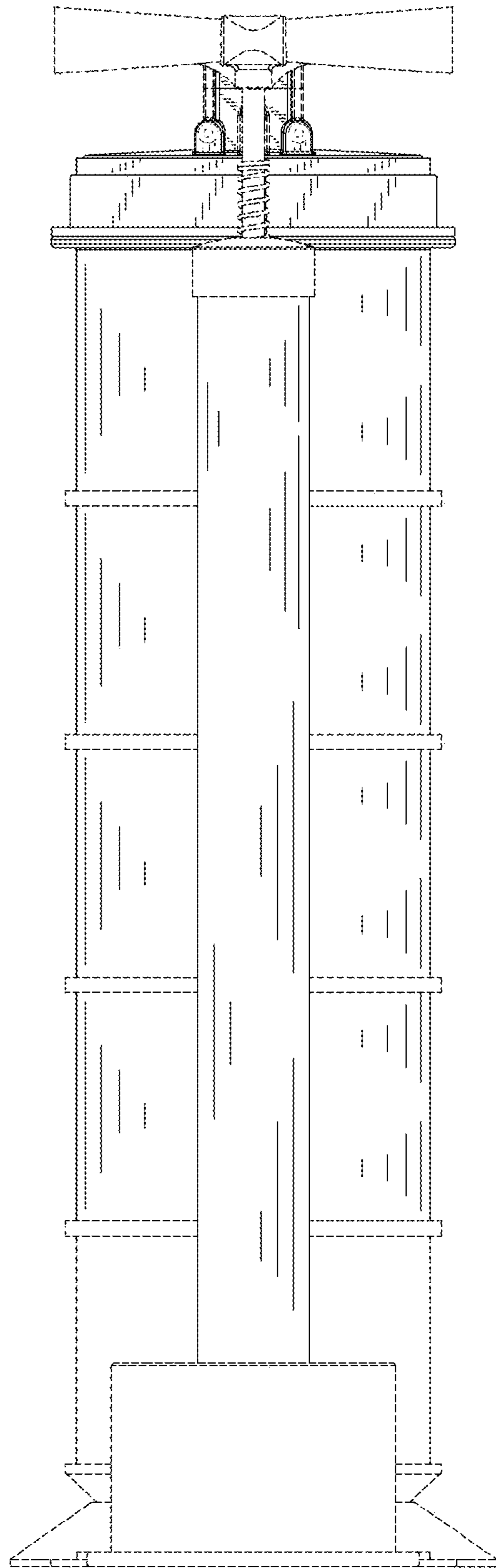


FIG. 5

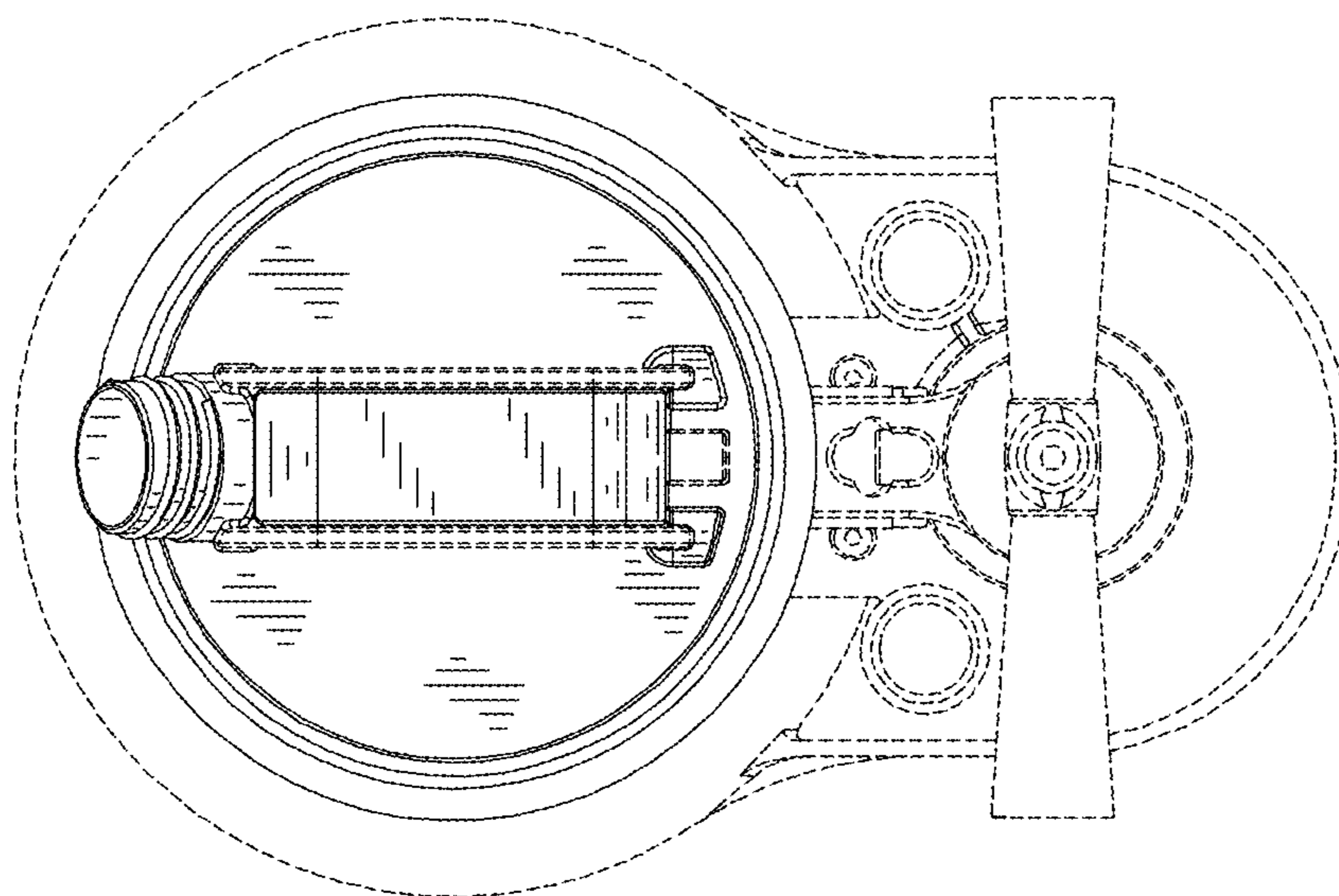


FIG. 6

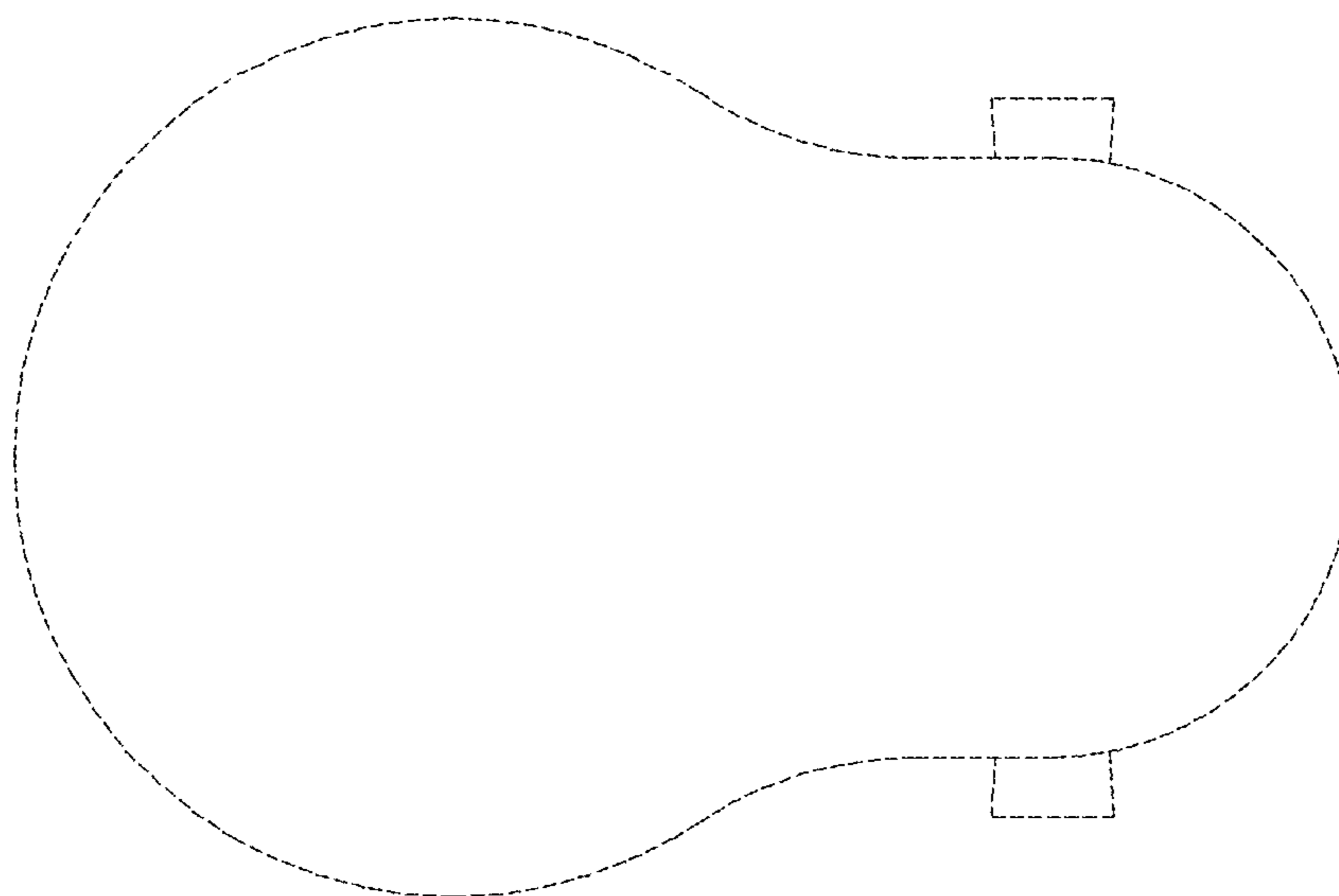


FIG. 7

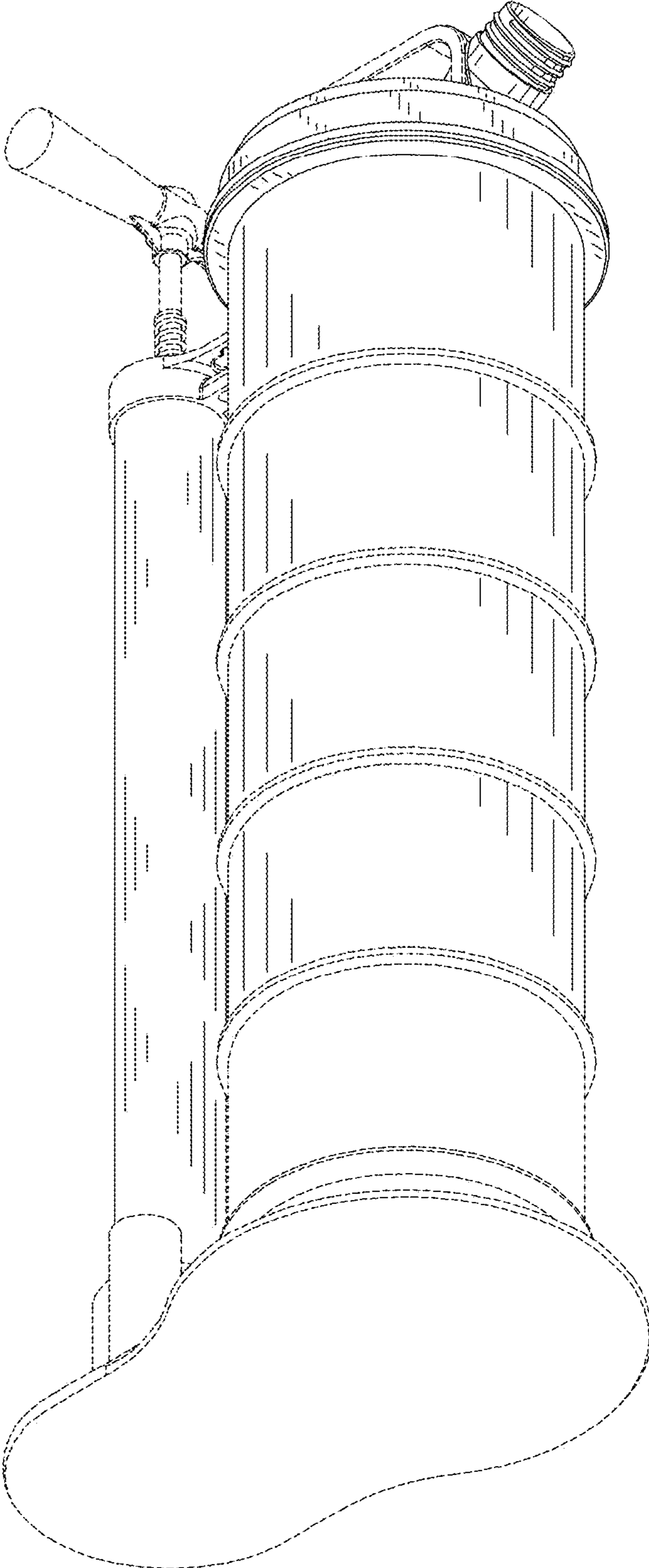


FIG. 8