



US00D903720S

(12) **United States Design Patent** (10) **Patent No.:** **US D903,720 S**
Barba (45) **Date of Patent:** **** Dec. 1, 2020**

(54) **COMPRESSOR**

(71) Applicant: **Dürr Technik GmbH & Co. KG,**
Bietigheim-Bissingen (DE)

(72) Inventor: **Willy Del Barba,** Bietigheim-Bissingen
(DE)

(**) Term: **15 Years**

(21) Appl. No.: **35/507,654**

(22) Filed: **Mar. 5, 2019**

(80) **Hague Agreement Data**

Int. Filing Date: **Mar. 5, 2019**

Int. Reg. No.: **DM/203706**

Int. Reg. Date: **Mar. 5, 2019**

Int. Reg. Pub. Date: **Nov. 8, 2019**

(51) **LOC (12) Cl.** **15-02**

(52) **U.S. Cl.**
USPC **D15/9**
CPC **F04B 41/00 (2013.01)**

(58) **Field of Classification Search**
USPC D15/7-9; D23/231, 232
CPC F04B 41/00-06; F04B 31/00; F04B 35/00;
F04B 53/92; F04B 1/005; F02M 37/04;
F02M 37/14

See application file for complete search history.

(56) **References Cited**

U.S. PATENT DOCUMENTS

5,584,675 A * 12/1996 Steurer F04B 39/066
417/372
D377,967 S * 2/1997 Rozek D15/9
D379,996 S * 6/1997 Leu D15/9
D382,883 S * 8/1997 Breitzman D15/9
D412,174 S * 7/1999 Faulkner D15/9
6,331,101 B2 * 12/2001 Leu F04B 35/04
417/415
D454,357 S * 3/2002 Diels D15/7

D461,196 S * 8/2002 Buck D15/9
D482,371 S * 11/2003 Buck D15/9
D488,820 S * 4/2004 Rozek D15/7
D490,823 S * 6/2004 Hsiao D15/9
D492,700 S * 7/2004 Hsiao D15/7
D498,482 S * 11/2004 Hsiao D15/9
D499,119 S * 11/2004 Thomas, Jr. D15/9
D499,747 S * 12/2004 Buck D15/9
D526,665 S * 8/2006 Hsiao D15/9
D527,025 S * 8/2006 Hsiao D15/9
D528,132 S * 9/2006 Hsiao D15/9
D539,310 S * 3/2007 Matsuoka D15/9
D541,303 S * 4/2007 Drew D15/5
D541,306 S * 4/2007 Welsh D15/9
D553,158 S * 10/2007 Caito D15/9
D603,871 S * 11/2009 Steinfels D15/7
D604,746 S * 11/2009 Nishido D15/7
D654,933 S * 2/2012 Yamanaka D15/7
D660,321 S * 5/2012 Hsiao D15/7
D660,322 S * 5/2012 Hsiao D15/7
D664,996 S * 8/2012 Hsiao D15/9
D680,555 S * 4/2013 Craig D15/7
D680,556 S * 4/2013 Craig D15/7
D691,639 S * 10/2013 Hirai D15/7
D710,902 S * 8/2014 Vintzel D15/9
D710,903 S * 8/2014 Vintzel D15/9
D776,168 S * 1/2017 Balma D15/9

(Continued)

Primary Examiner — Richard E Chilcot

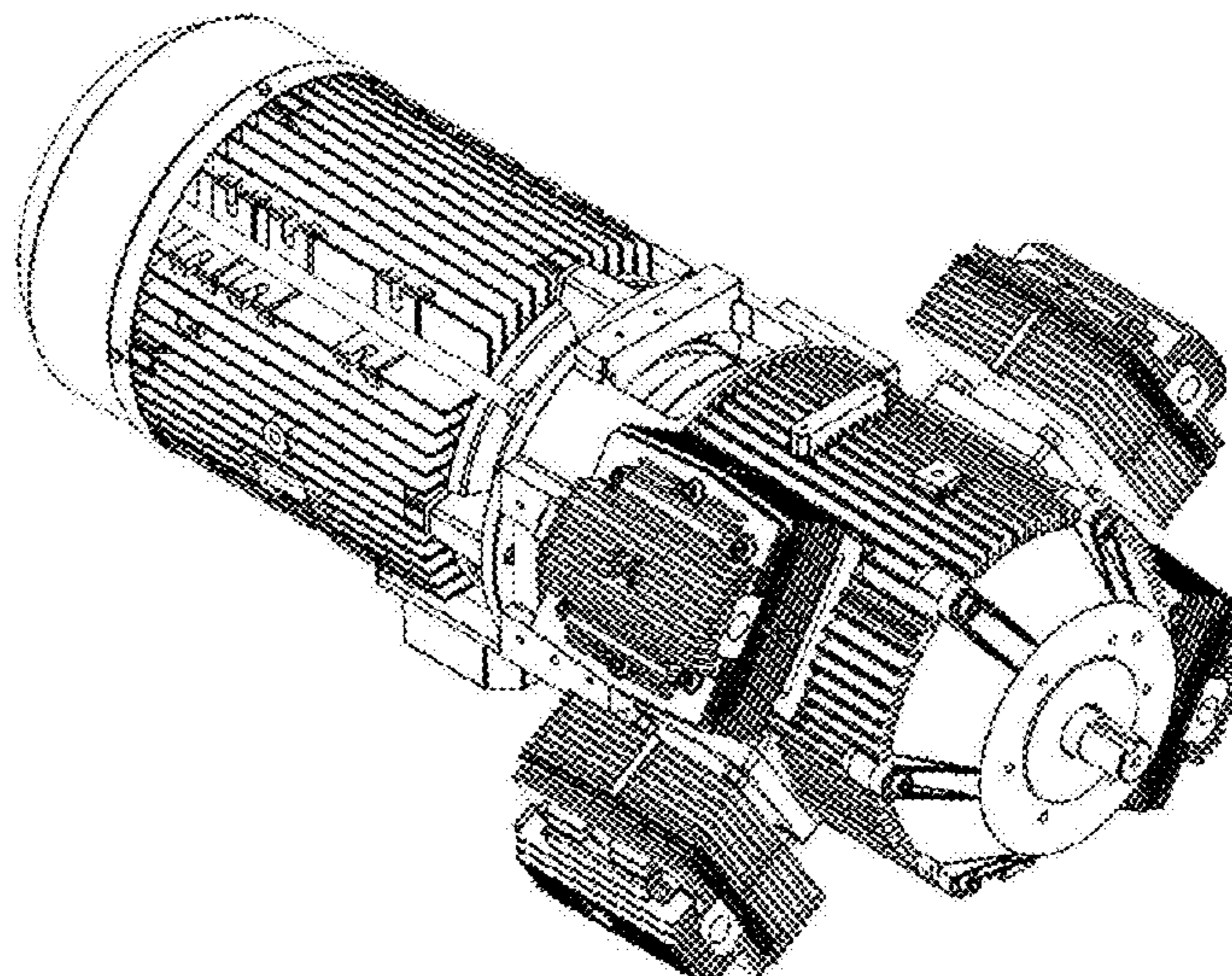
(57) **CLAIM**

The ornamental design for a compressor, as shown and described.

DESCRIPTION

1. Compressor
FIG. 1.1 is a left side view of a compressor, showing my new design;
FIG. 1.2 is a right side view thereof;
FIG. 1.3 is a front perspective view thereof;
FIG. 1.4 is a rear view thereof;
FIG. 1.5 is a top plan view thereof;
FIG. 1.6 is a bottom plan view thereof; and
FIG. 1.7 is a front view thereof.

1 Claim, 7 Drawing Sheets



(56)

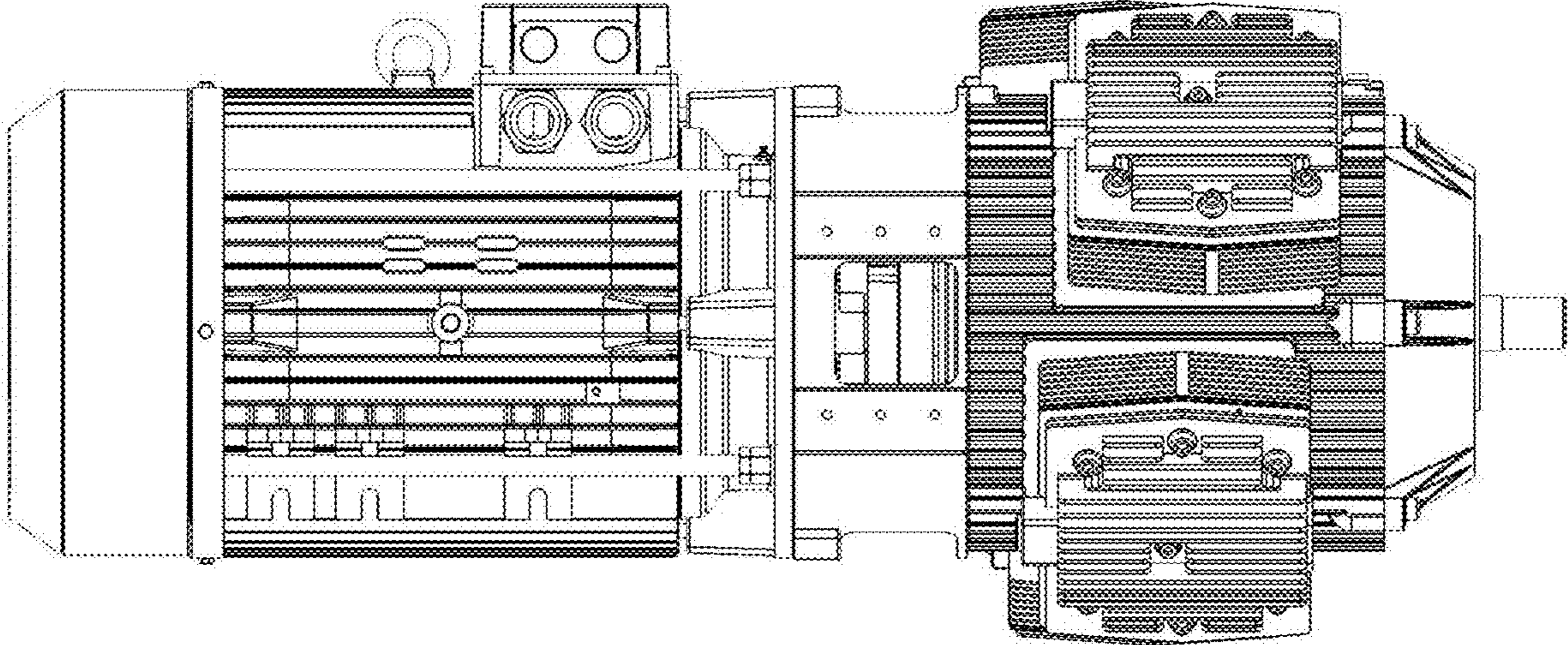
References Cited

U.S. PATENT DOCUMENTS

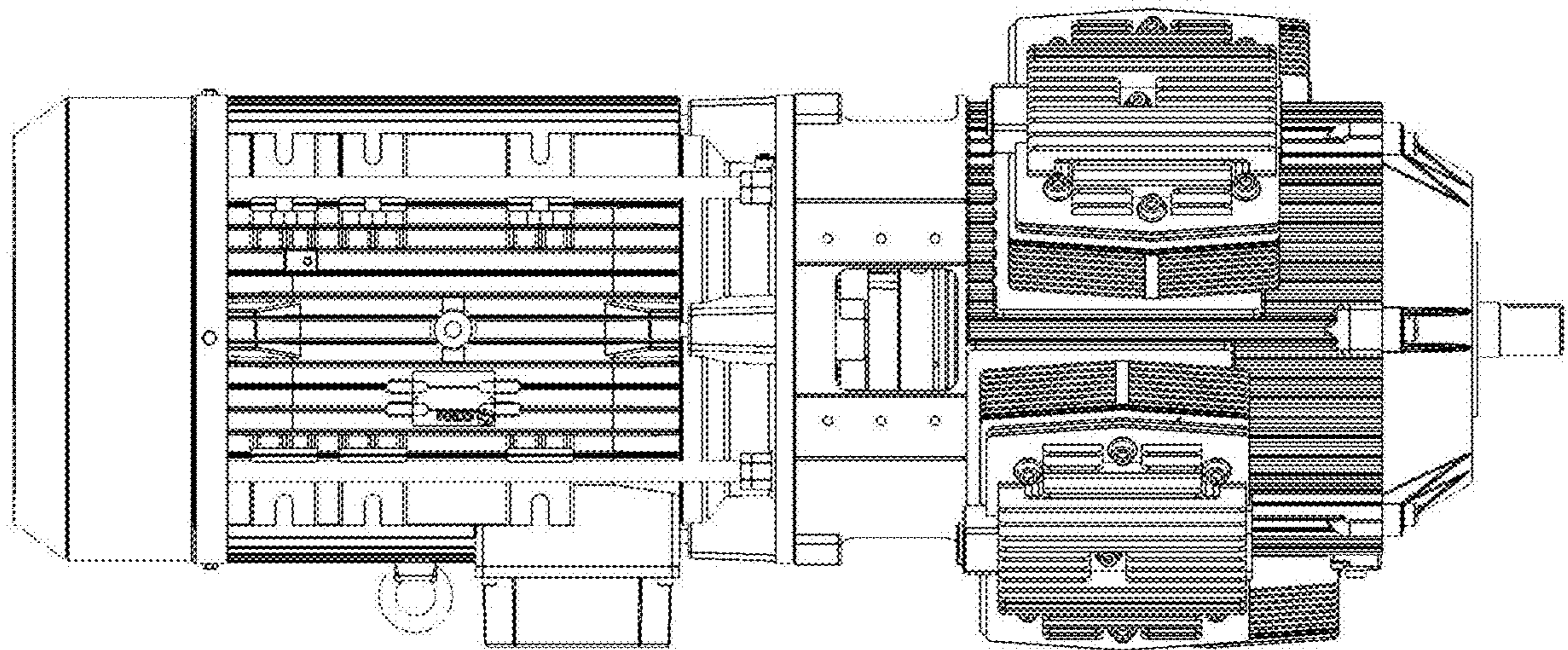
D806,135 S * 12/2017 Wood D15/9
D806,753 S * 1/2018 Wood D15/7
D806,755 S * 1/2018 Wood D15/9
D829,772 S * 10/2018 Blenkush D15/13
D832,892 S * 11/2018 Wood D15/9
D839,312 S * 1/2019 Bader D15/7
2006/0275160 A1* 12/2006 Leu F04B 35/04
417/415
2010/0178185 A1* 7/2010 Leu F04B 39/123
417/572

* cited by examiner

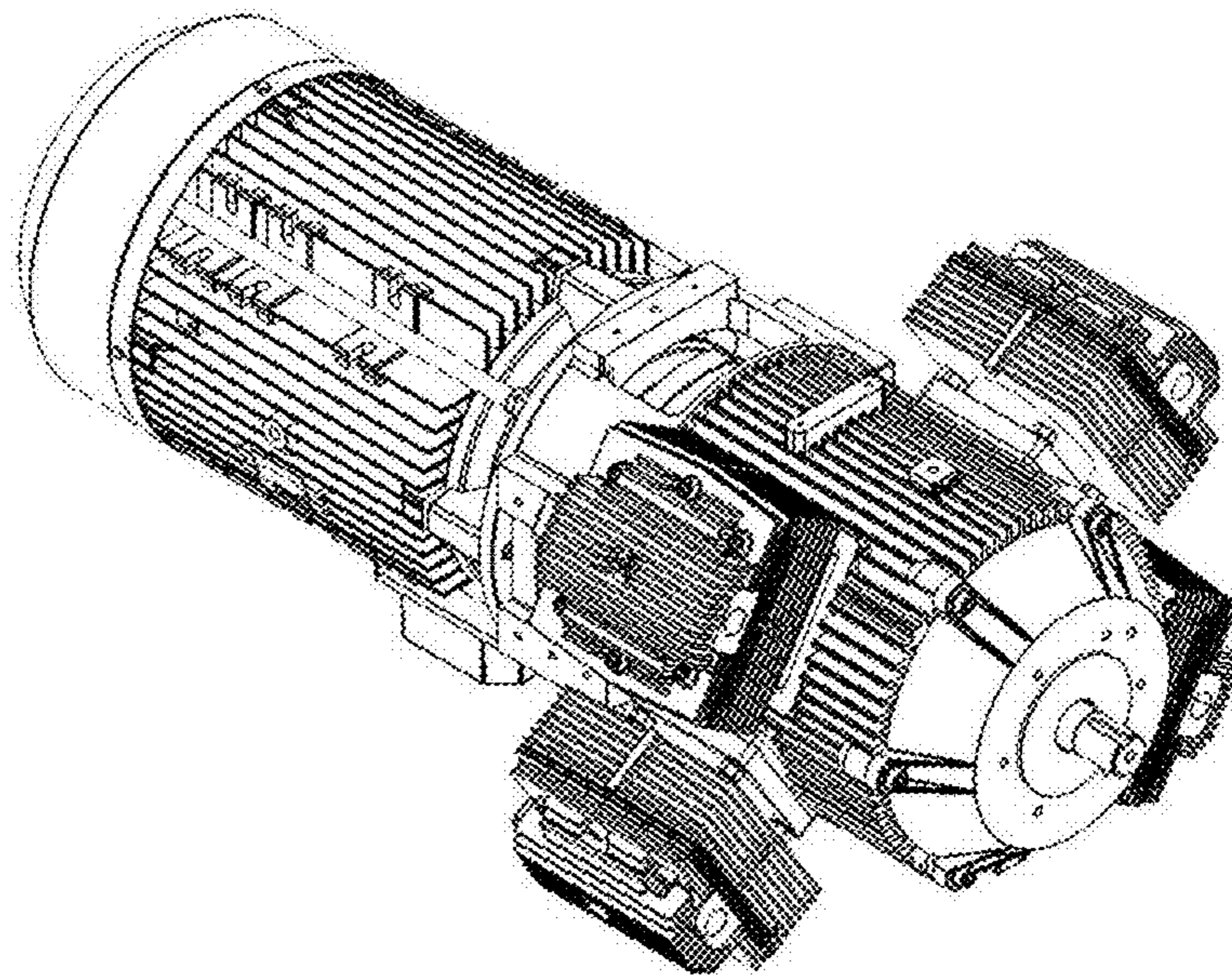
1.1



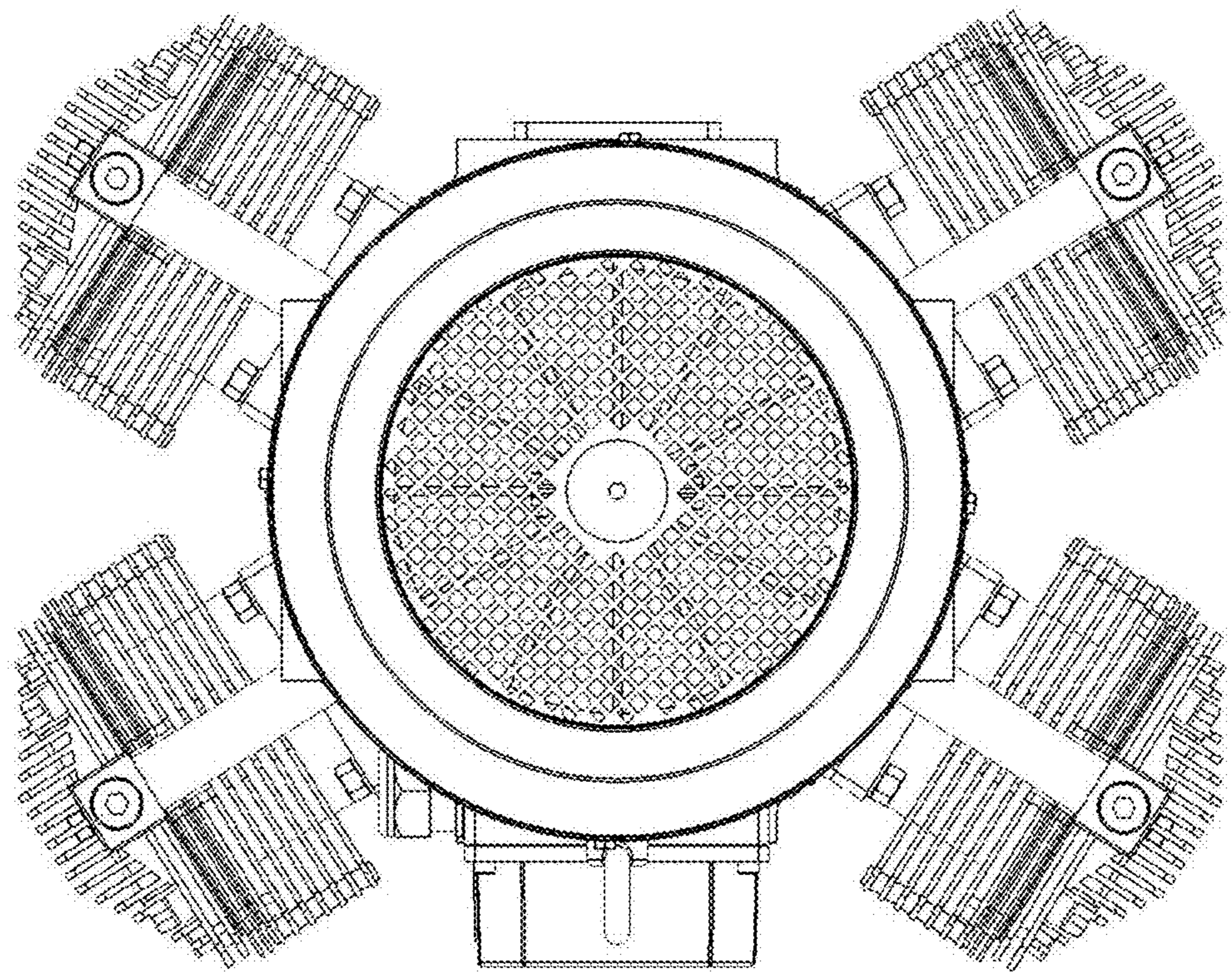
1.2



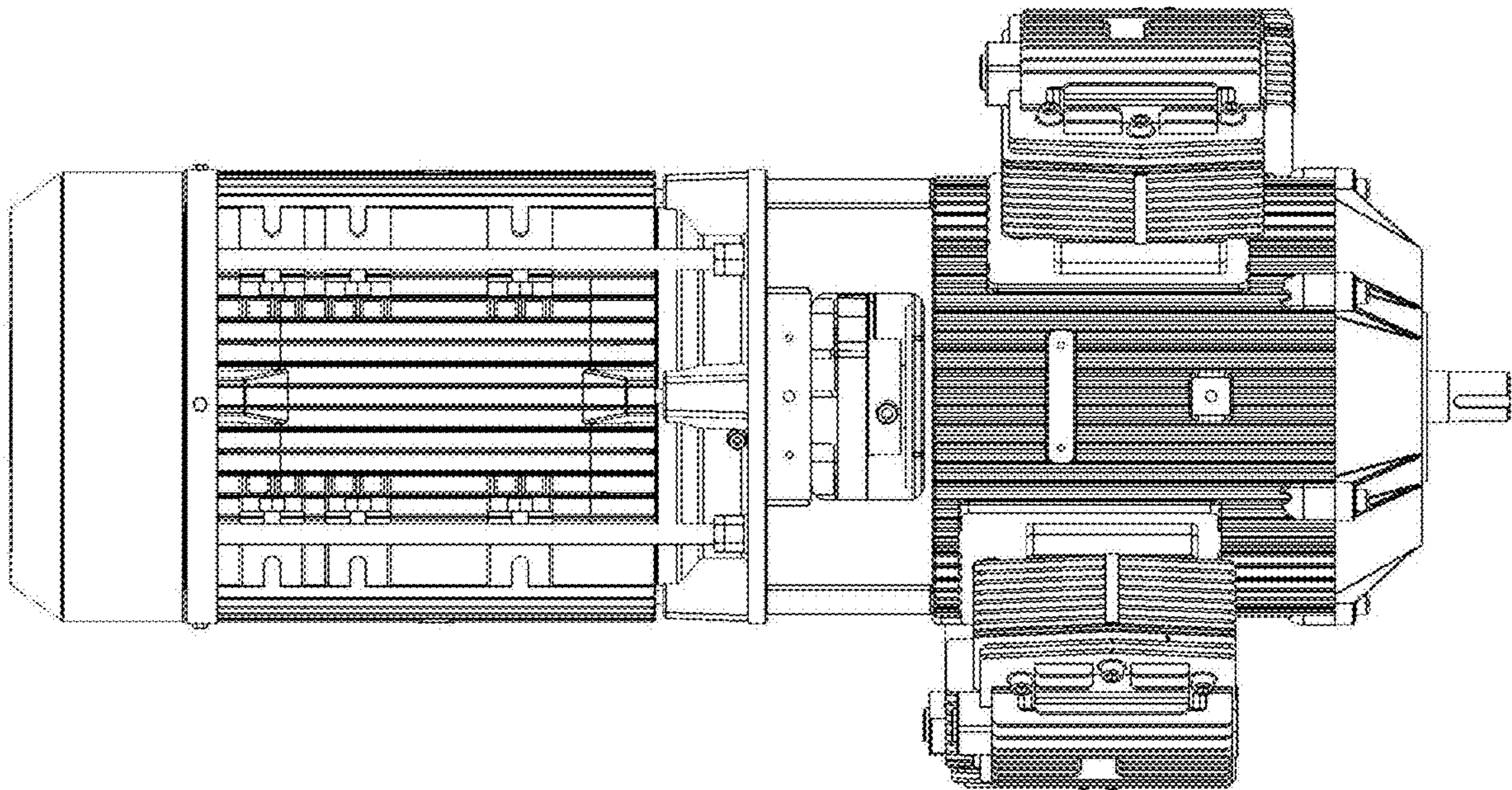
1.3



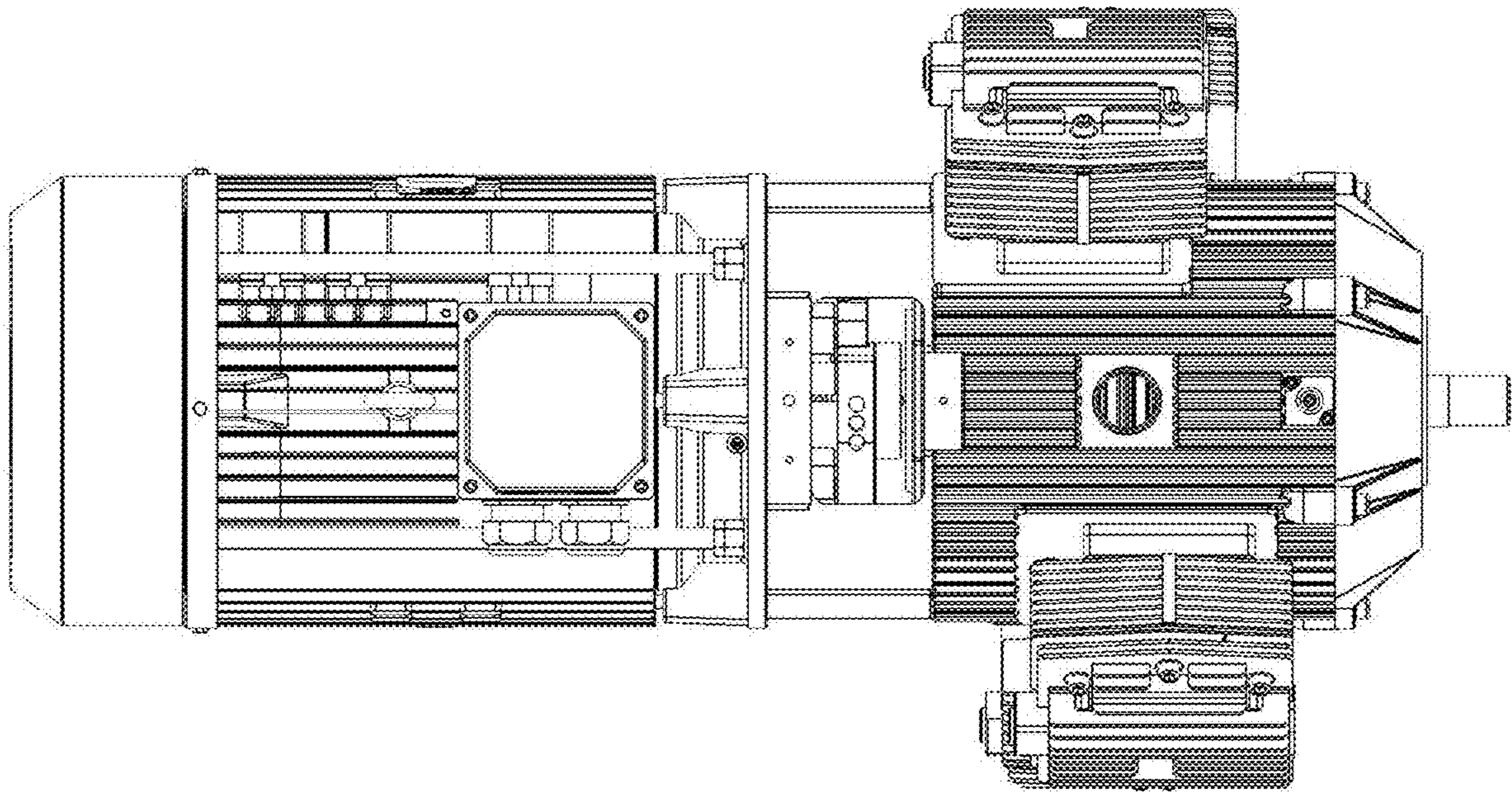
1.4



1.5



1.6



1.7

