



US00D903719S

(12) **United States Design Patent** (10) **Patent No.:** **US D903,719 S**  
**DeBaker et al.** (45) **Date of Patent:** **\*\* Dec. 1, 2020**

(54) **BICYCLE PUMP HEAD**  
(71) Applicants: **Chad DeBaker**, Minneapolis, MN (US); **Michael Brauer**, Minneapolis, MN (US)  
(72) Inventors: **Chad DeBaker**, Minneapolis, MN (US); **Michael Brauer**, Minneapolis, MN (US)  
(\*\*) Term: **15 Years**  
(21) Appl. No.: **29/687,518**  
(22) Filed: **Apr. 12, 2019**  
(51) **LOC (12) Cl.** ..... **15-02**  
(52) **U.S. Cl.**  
USPC ..... **D15/7**  
(58) **Field of Classification Search**  
USPC ..... D15/7-9; D23/225, 231, 232, 356, 366; D12/114  
CPC ..... F04D 13/06; F04D 29/22; F04D 29/046; F04D 29/2266; F04B 53/14; F04B 53/92; F04B 33/00; F04B 33/005; F04B 1/005; F04B 39/102; F16K 11/048; F16K 15/20; F16K 31/602; F16K 37/18; F16K 37/20  
See application file for complete search history.

2005/0129544 A1\* 6/2005 Wu ..... F04B 33/005 417/440  
2005/0263185 A1\* 12/2005 Chen ..... F04B 33/005 137/231  
2013/0087228 A1\* 4/2013 Wang ..... F16K 11/048 137/565.12  
2013/0186490 A1\* 7/2013 Wu ..... F04B 33/005 137/613  
2013/0186979 A1\* 7/2013 Wu ..... F04B 33/005 239/268

(Continued)

**OTHER PUBLICATIONS**

Belson Outdoors, Model A3-FT-EPX, (site visited Jul. 9, 2020), Belson Outdoors Website, URL: <<https://www.belson.com/Air-Kit-3-Public-Bike-Pump>> (Year: 2020).\*

(Continued)

*Primary Examiner* — Sheryl Lane  
*Assistant Examiner* — Mark T. Philipps  
(74) *Attorney, Agent, or Firm* — Quickpatents, LLC; Kevin Prince

(57) **CLAIM**

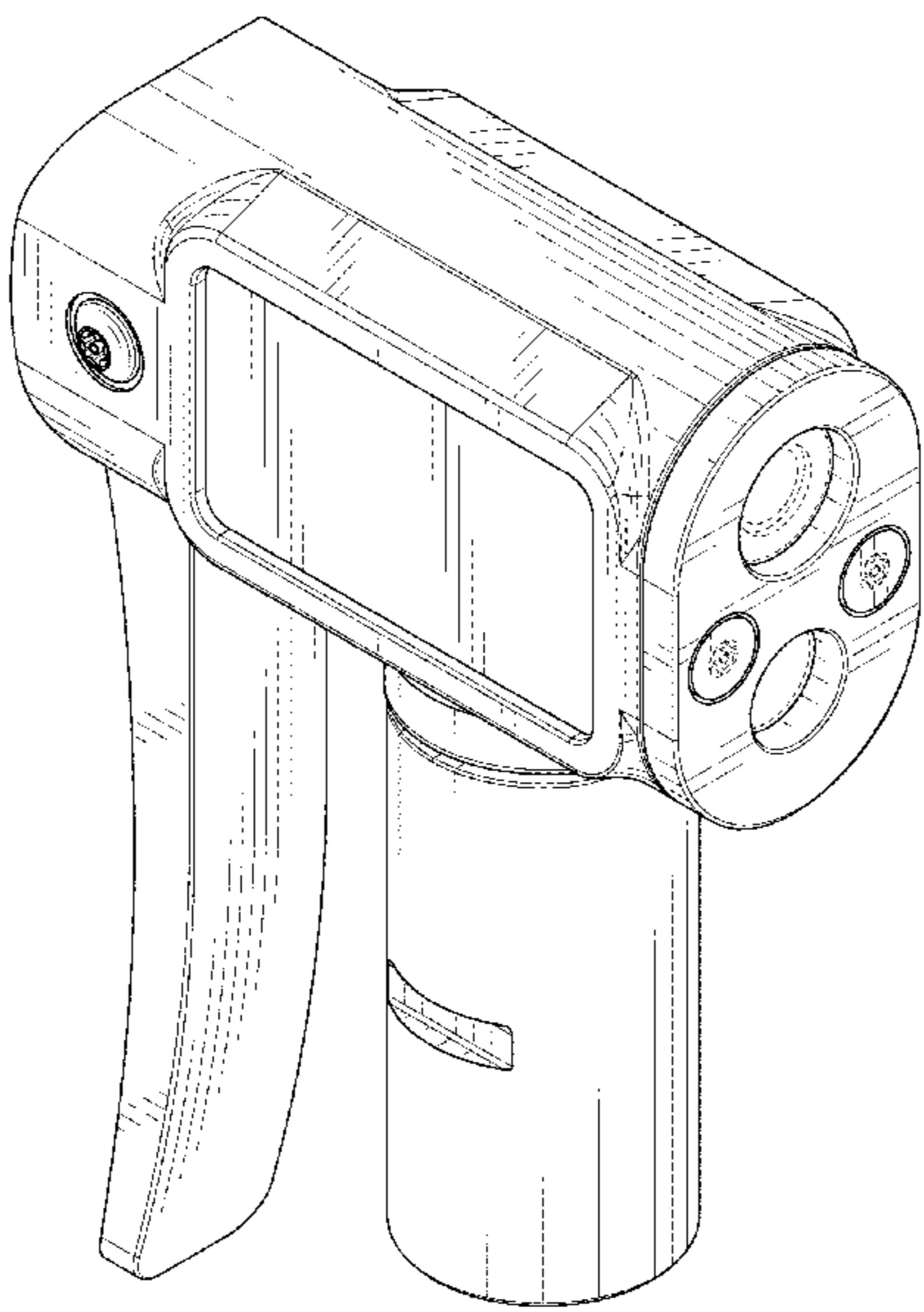
The ornamental design for a bicycle pump head, as shown and described.

**DESCRIPTION**

FIG. 1 is a front perspective view of a bicycle pump head, showing our new design;  
FIG. 2 is a rear perspective view thereof;  
FIG. 3 is a front elevational view thereof;  
FIG. 4 is a rear elevational view thereof;  
FIG. 5 is a left-side elevational view thereof, the right-side elevational view being a mirror image thereof;  
FIG. 6 is a top plan view thereof;  
FIG. 7 is a bottom plan view thereof; and,  
FIG. 8 is a bottom perspective view thereof.

**1 Claim, 8 Drawing Sheets**

(56) **References Cited**  
U.S. PATENT DOCUMENTS  
5,975,109 A \* 11/1999 Wu ..... B60S 5/04 137/223  
6,050,791 A \* 4/2000 Wu ..... F04B 33/005 417/440  
6,076,544 A \* 6/2000 Pierce ..... F16L 37/18 137/223  
6,328,057 B1 \* 12/2001 Wang ..... F04B 39/102 137/231  
D632,306 S \* 2/2011 Wang ..... D15/7  
D744,002 S \* 11/2015 Scott ..... D15/7  
9,388,914 B2 \* 7/2016 Wang ..... F16K 31/602



(56)

**References Cited**

U.S. PATENT DOCUMENTS

2013/0206249 A1\* 8/2013 Wu ..... F04B 33/005  
137/231  
2013/0230414 A1\* 9/2013 Wang ..... F04B 39/00  
417/63  
2015/0316159 A1\* 11/2015 Wang ..... F16K 15/20  
137/231  
2015/0337976 A1\* 11/2015 Wang ..... F16K 15/207  
137/224  
2016/0061358 A1\* 3/2016 Chu ..... F16L 15/04  
137/231  
2016/0076527 A1\* 3/2016 Kennedy Lageson .....  
F04B 33/005  
417/63  
2017/0276277 A1\* 9/2017 Wang ..... F04B 33/005  
2017/0276278 A1\* 9/2017 Wang ..... F16L 37/18  
2018/0058617 A1\* 3/2018 Wu ..... B60C 23/00

OTHER PUBLICATIONS

Saris Infrastructure, High Performance Pump Head, (site visited Jul. 9, 2020), Saris Infrastructure website, URL:<<https://www.sarisinfrastructure.com/product/high-performance-pump-head>> (Year: 2020).\*

\* cited by examiner

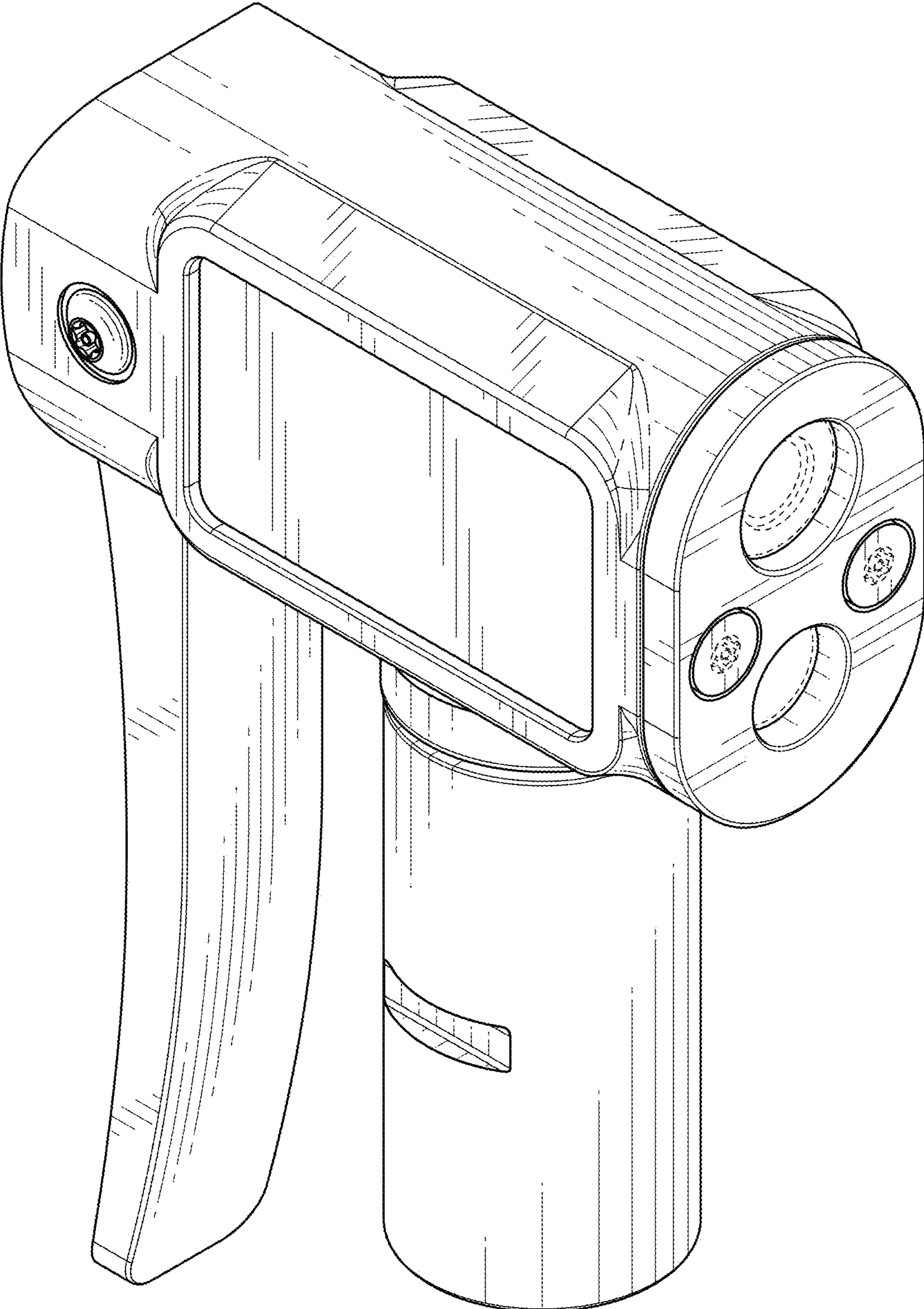


FIG. 1

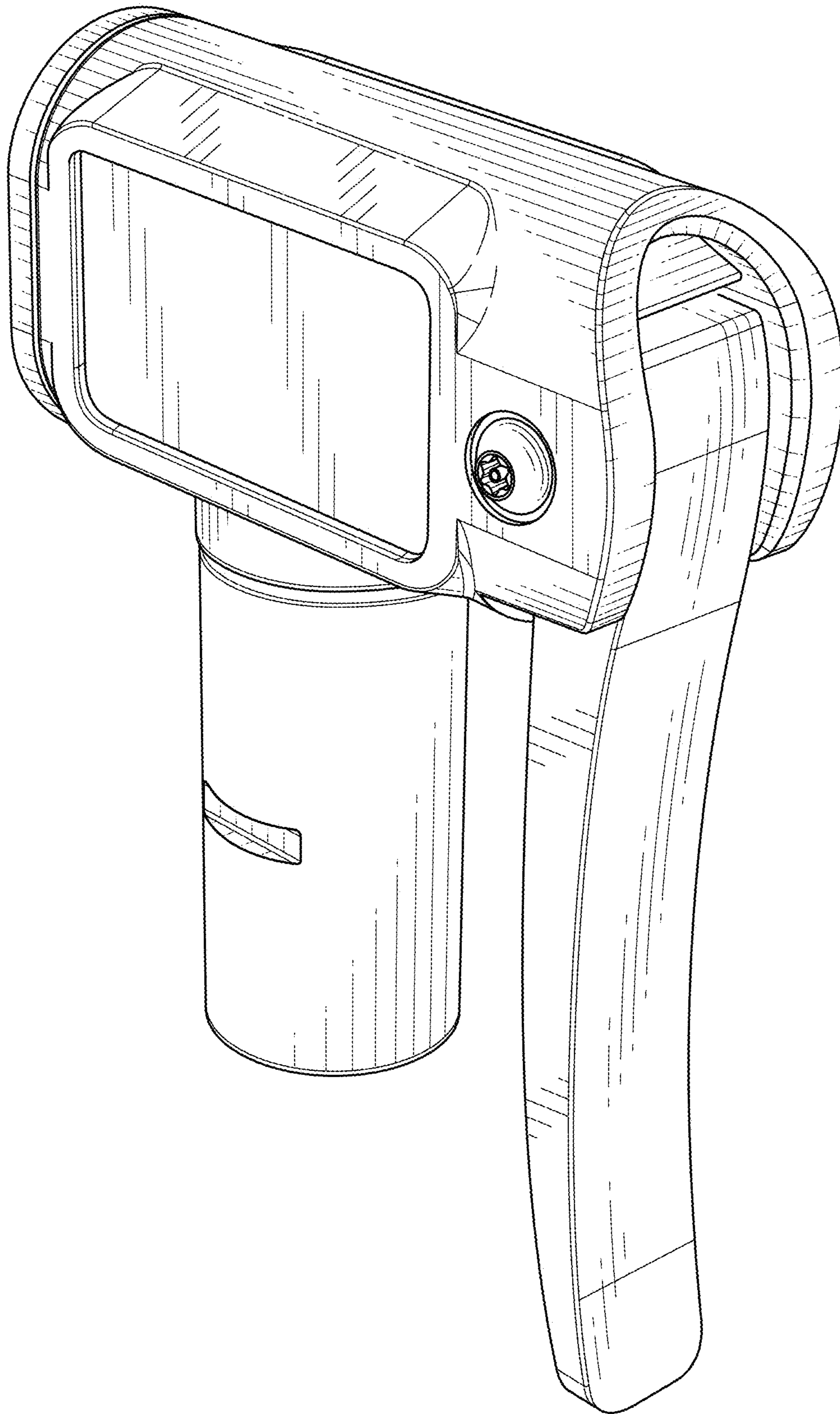


FIG. 2

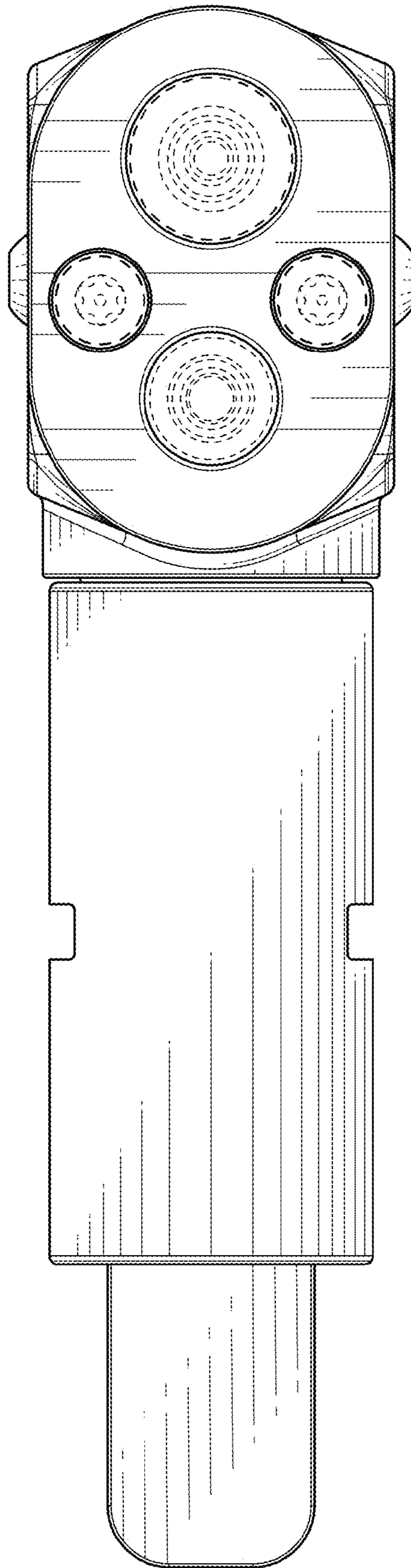


FIG. 3

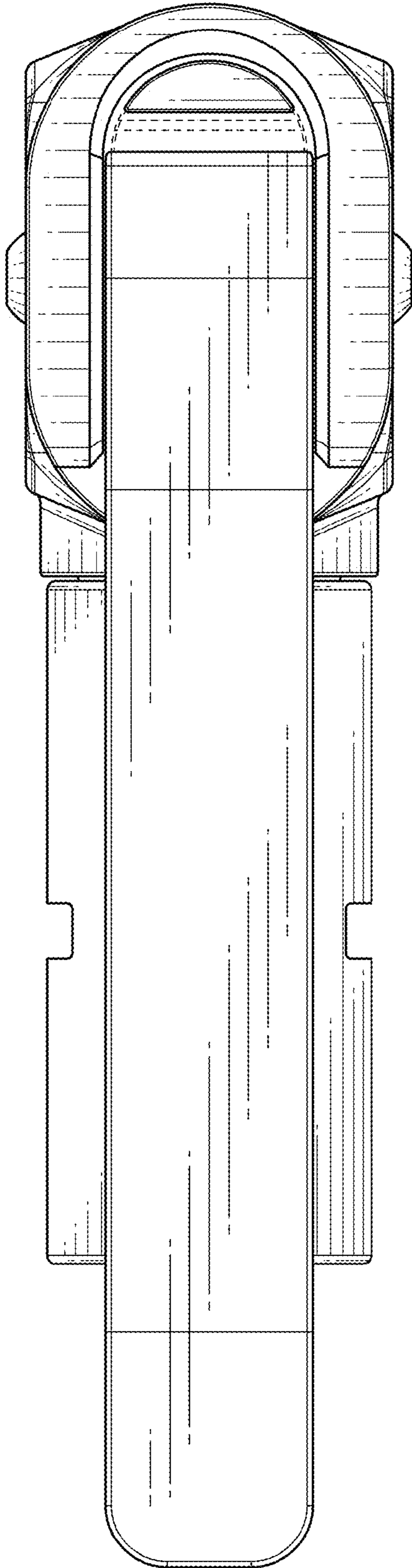


FIG. 4

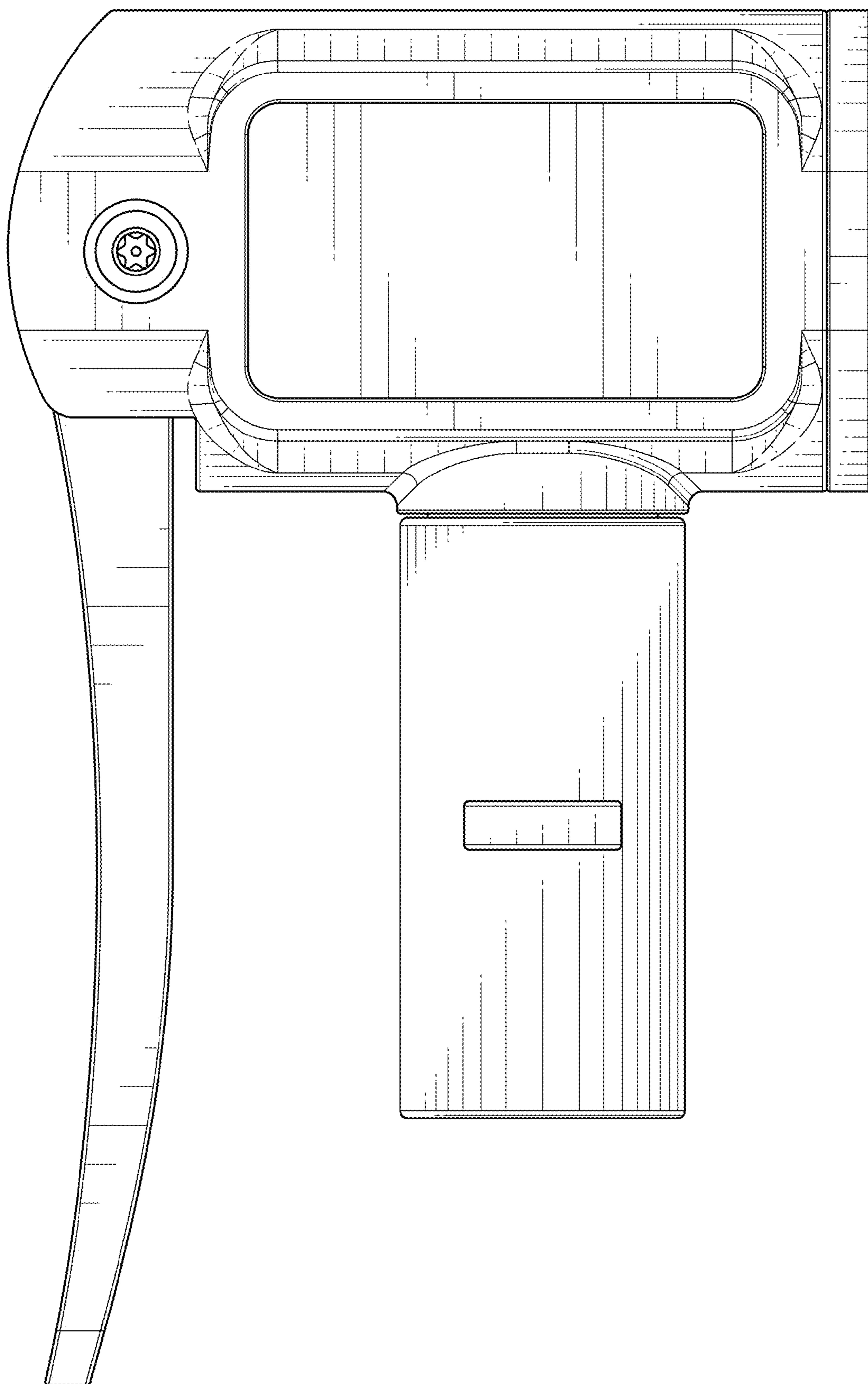


FIG. 5

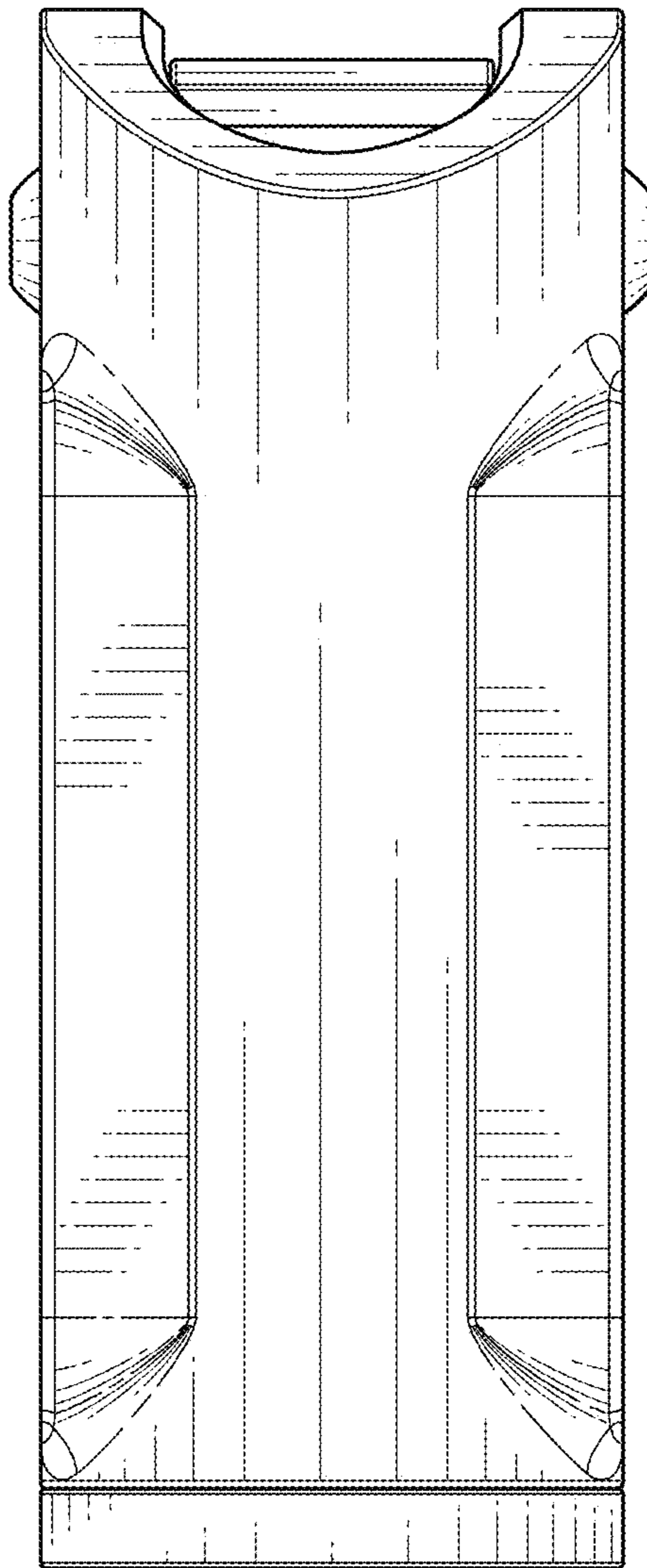


FIG. 6



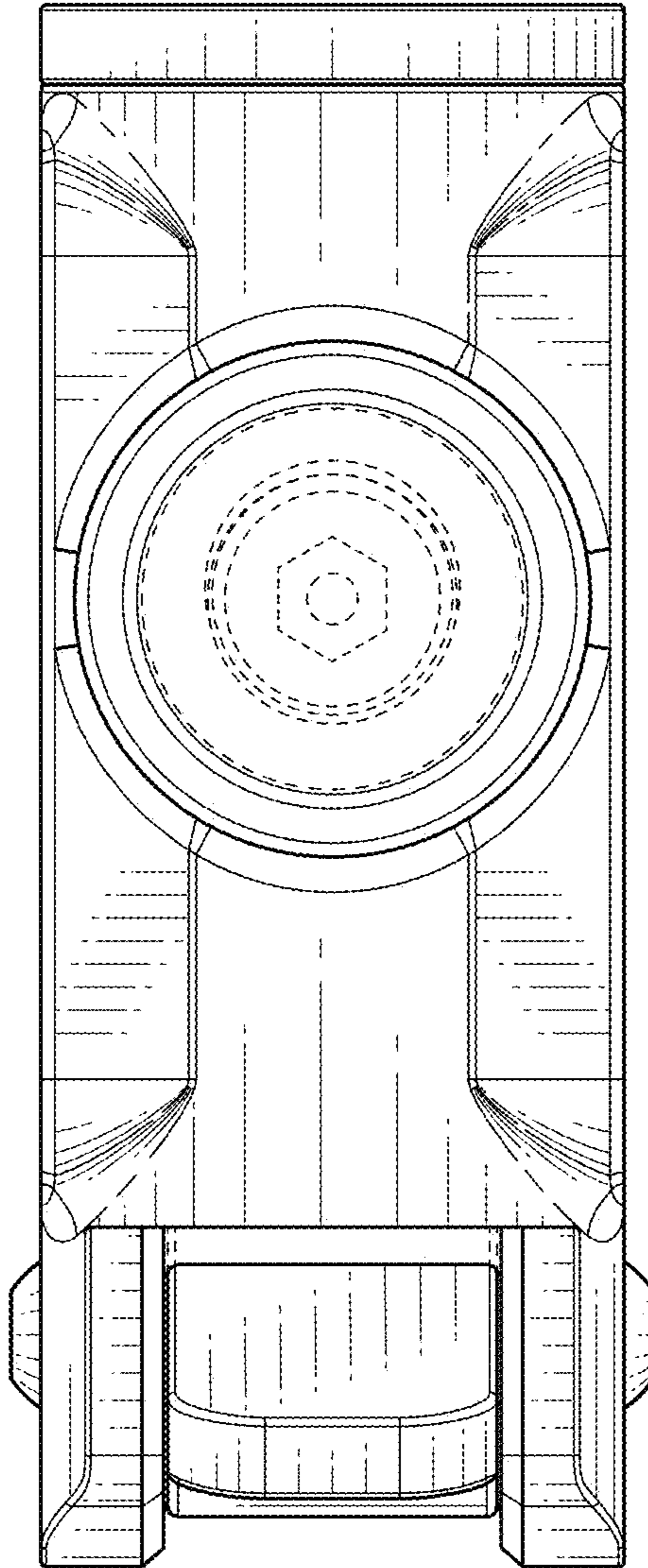


FIG. 7

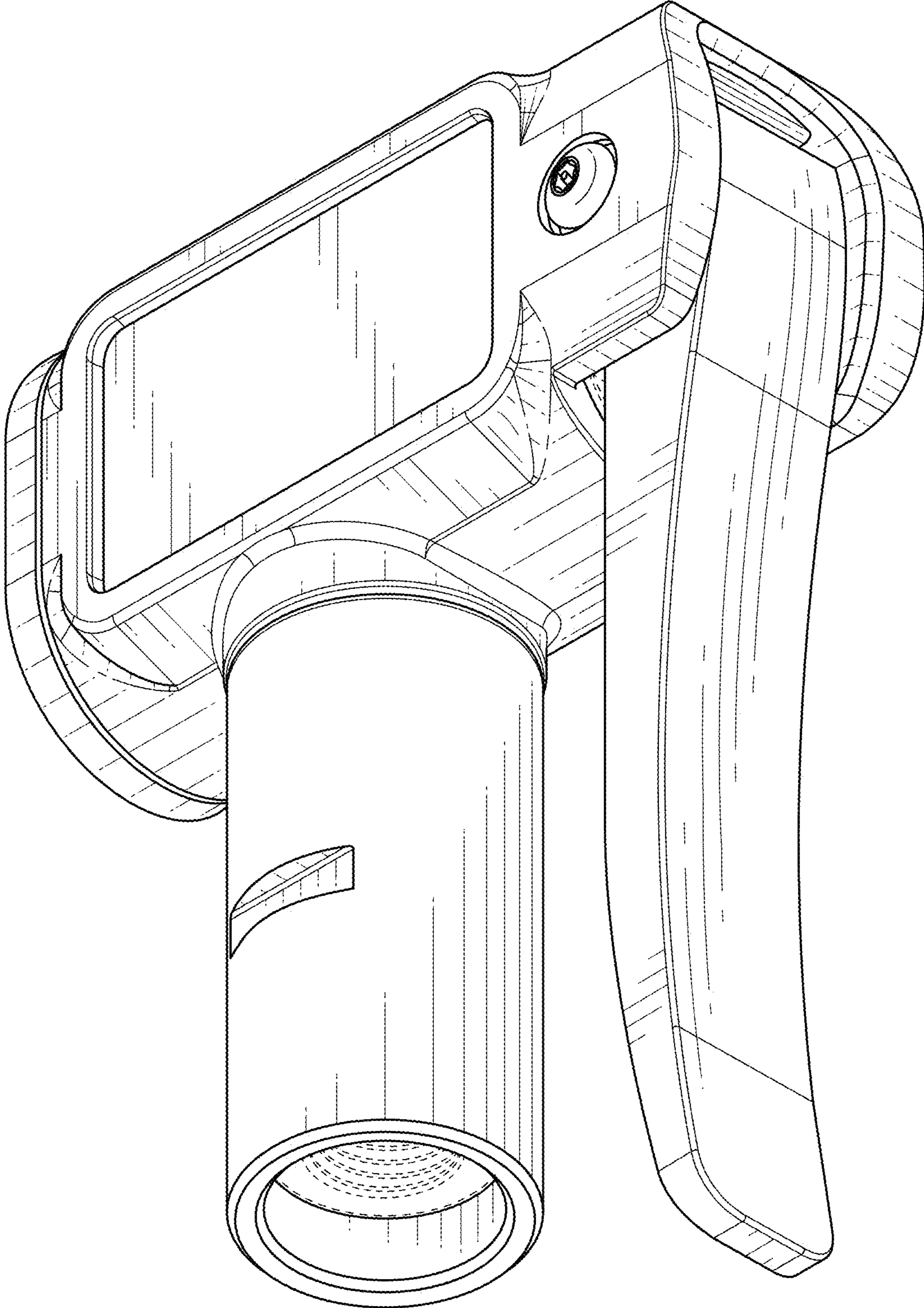


FIG. 8