



US00D903718S

(12) **United States Design Patent** (10) **Patent No.:** **US D903,718 S**
Alexander et al. (45) **Date of Patent:** **** Dec. 1, 2020**

(54) **PUMP**

OTHER PUBLICATIONS

(71) Applicant: **FNA Group, Inc.**, Pleasant Prairie, WI (US)

Amazon, Universal Pressure Washer Pump 2800 PSI 2.5 GPM, (site visited May 1, 2020), Sold at Aazon.com URL:<https://www.amazon.com/Homelite-Universal-Pressure-Pump-308653052/dp/B0184E3GYK/> (Year: 2020).*

(72) Inventors: **Gus Alexander**, Inverness, IL (US);
Richard J. Gilpatrick, Burlington, WI (US)

Homelite | Universal 2800 psi Power Pressure Washer Water Pump, (site visited May 1, 2020), Sold at Aazon.com URL:<https://www.amazon.com/dp/B006ZOVQ3A/> (Year: 2020).*

(73) Assignee: **FNA Group, Inc.**, Pleasant Prairie, WI (US)

* cited by examiner

(**) Term: **15 Years**

Primary Examiner — Sheryl Lane

Assistant Examiner — Mark T. Philipps

(21) Appl. No.: **29/682,237**

(74) *Attorney, Agent, or Firm* — Holland & Hart LLP;
Steven E. Jedlinski, Esq.; Jeffrey T. Placker, Esq.

(22) Filed: **Mar. 4, 2019**

(51) **LOC (12) Cl.** **15-02**

(52) **U.S. Cl.**
USPC **D15/7**

(58) **Field of Classification Search**
USPC D15/5, 7-9; D23/225, 231, 232
CPC F04B 53/22; F04B 1/0448; F02M 37/04;
F02M 37/14; F04D 29/046; F04D
29/2266

See application file for complete search history.

(57) **CLAIM**

The ornamental design for a pump, as shown and described.

(56) **References Cited**

DESCRIPTION

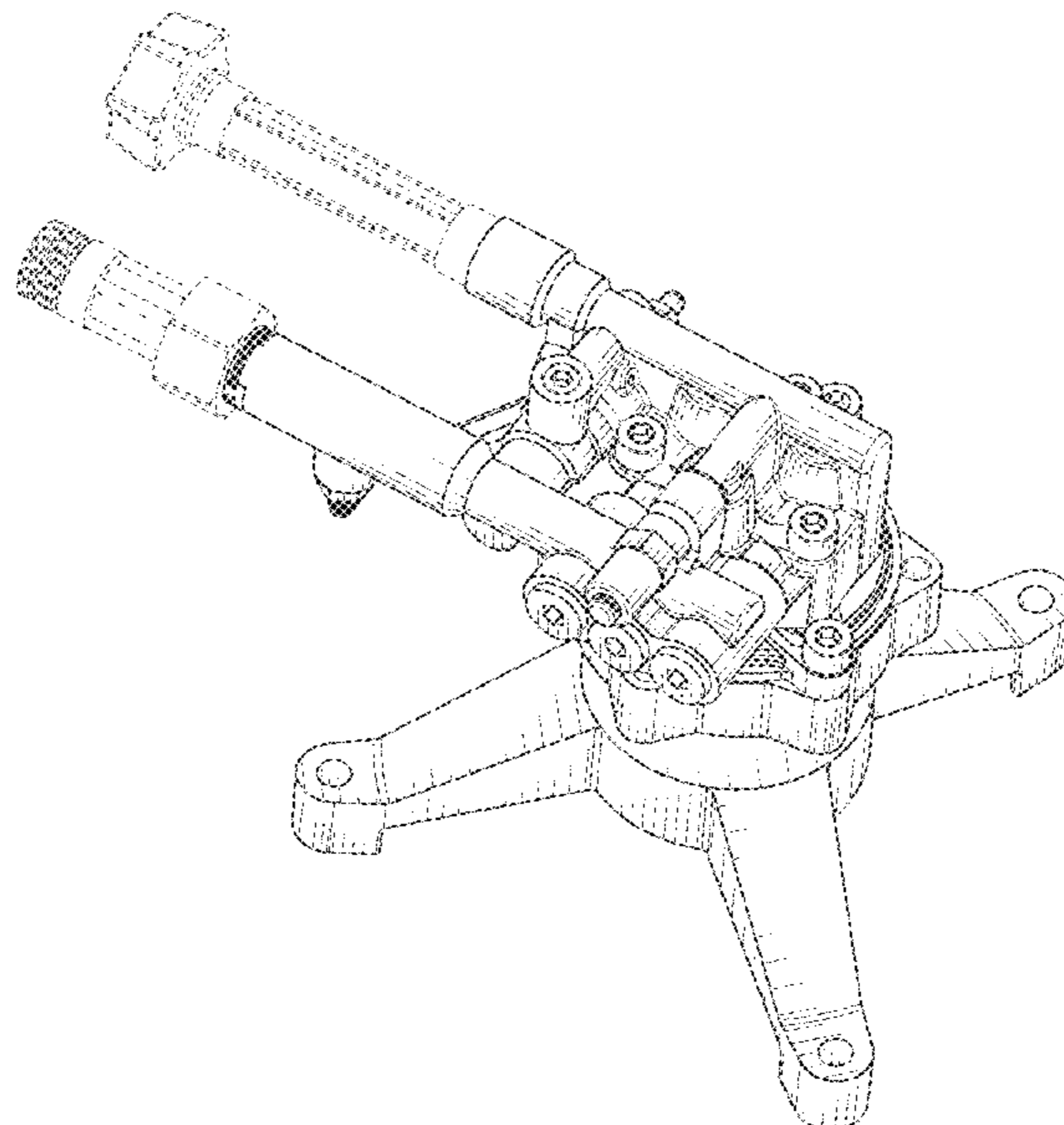
U.S. PATENT DOCUMENTS

D532,793	S	*	11/2006	Reverberi	D15/4
D634,664	S	*	3/2011	DaRif	D15/7
D691,638	S	*	10/2013	Alexander	D15/7
D699,762	S	*	2/2014	Alexander	D15/7
D726,225	S	*	4/2015	Alexander	D15/7
D776,720	S	*	1/2017	Davalos	D15/7
D823,898	S	*	7/2018	Alexander	D15/7
D823,900	S	*	7/2018	Alexander	D15/7
D825,615	S	*	8/2018	Alexander	D15/7
D836,677	S	*	12/2018	Alexander	D15/7
2012/0294746	A1	*	11/2012	Eschrich	F04B 53/007 417/571

FIG. 1 is a top-front-right perspective view of a pump;
FIG. 2 is a top-rear-left perspective view thereof;
FIG. 3 is a bottom-front-right perspective view thereof;
FIG. 4 is a bottom-rear-left perspective view thereof;
FIG. 5 is a bottom-left-front perspective view thereof;
FIG. 6 is a right elevation view thereof;
FIG. 7 is a left elevation view thereof;
FIG. 8 is a front elevation view thereof;
FIG. 9 is rear elevation view thereof;
FIG. 10 is a top plan view thereof; and,
FIG. 11 is a bottom plan view thereof.

The broken lines are included for the purpose of illustrating portions of the pump that form no part of the claimed design.

1 Claim, 11 Drawing Sheets



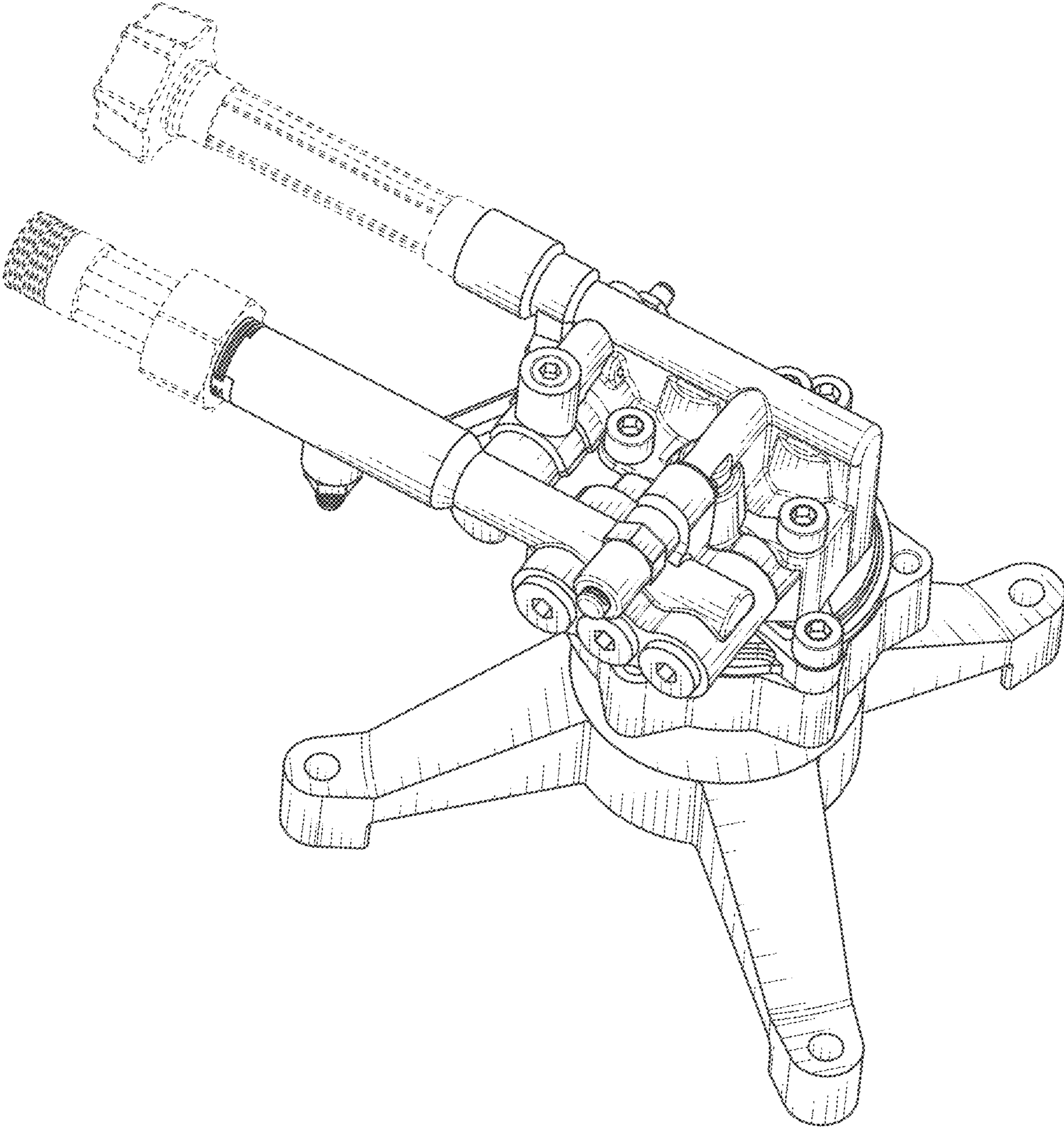


FIG. 1

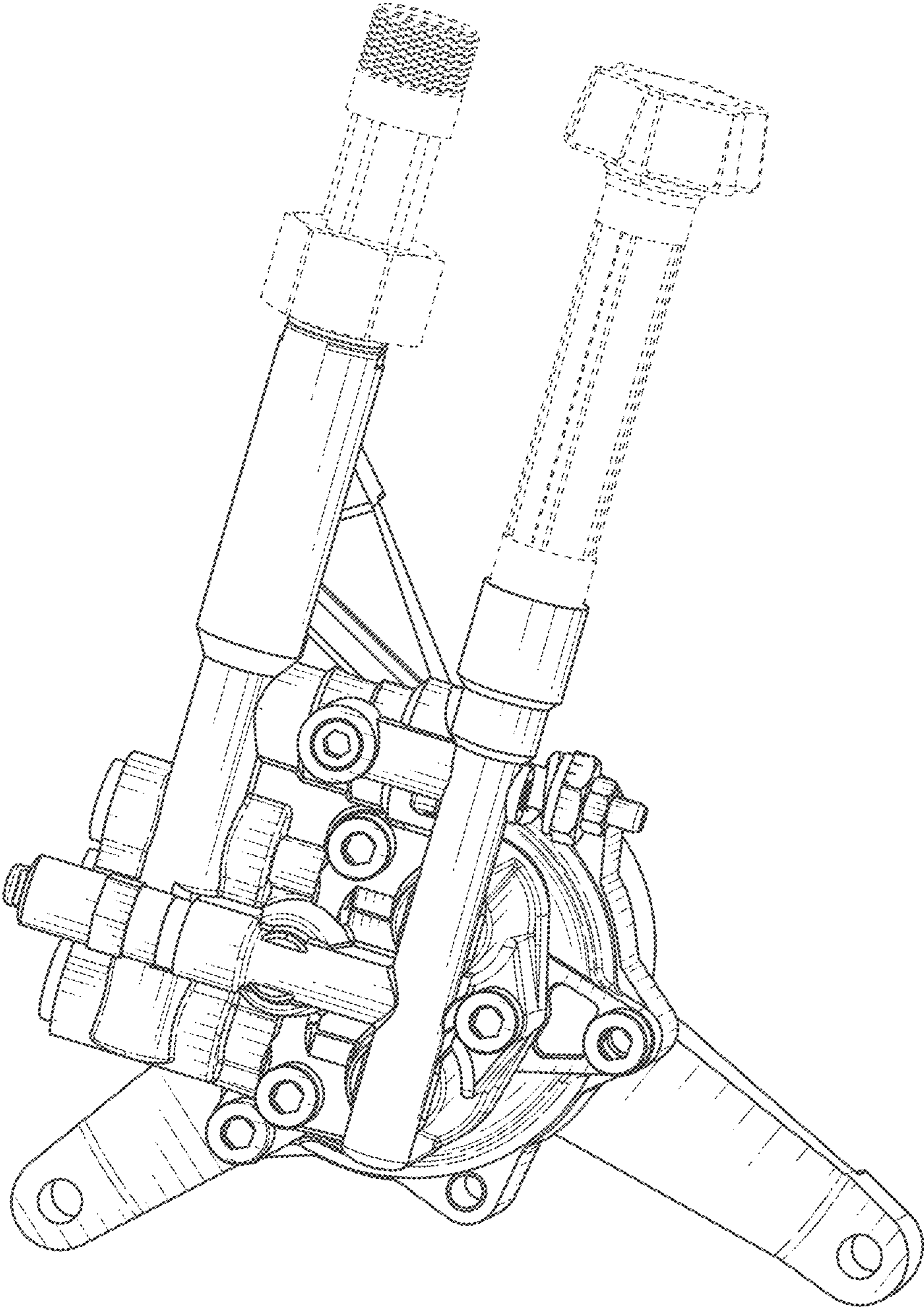


FIG. 2

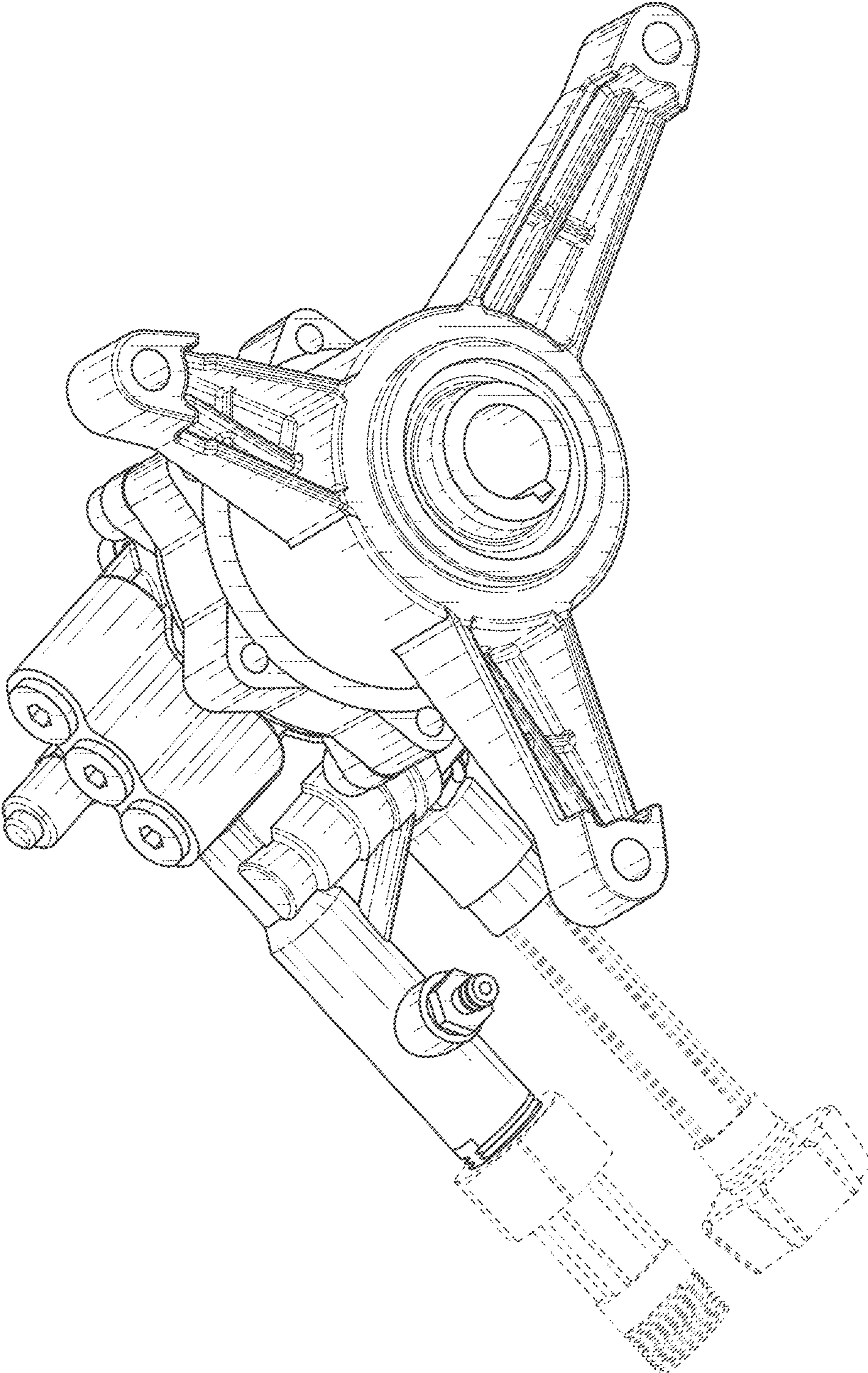


FIG. 3

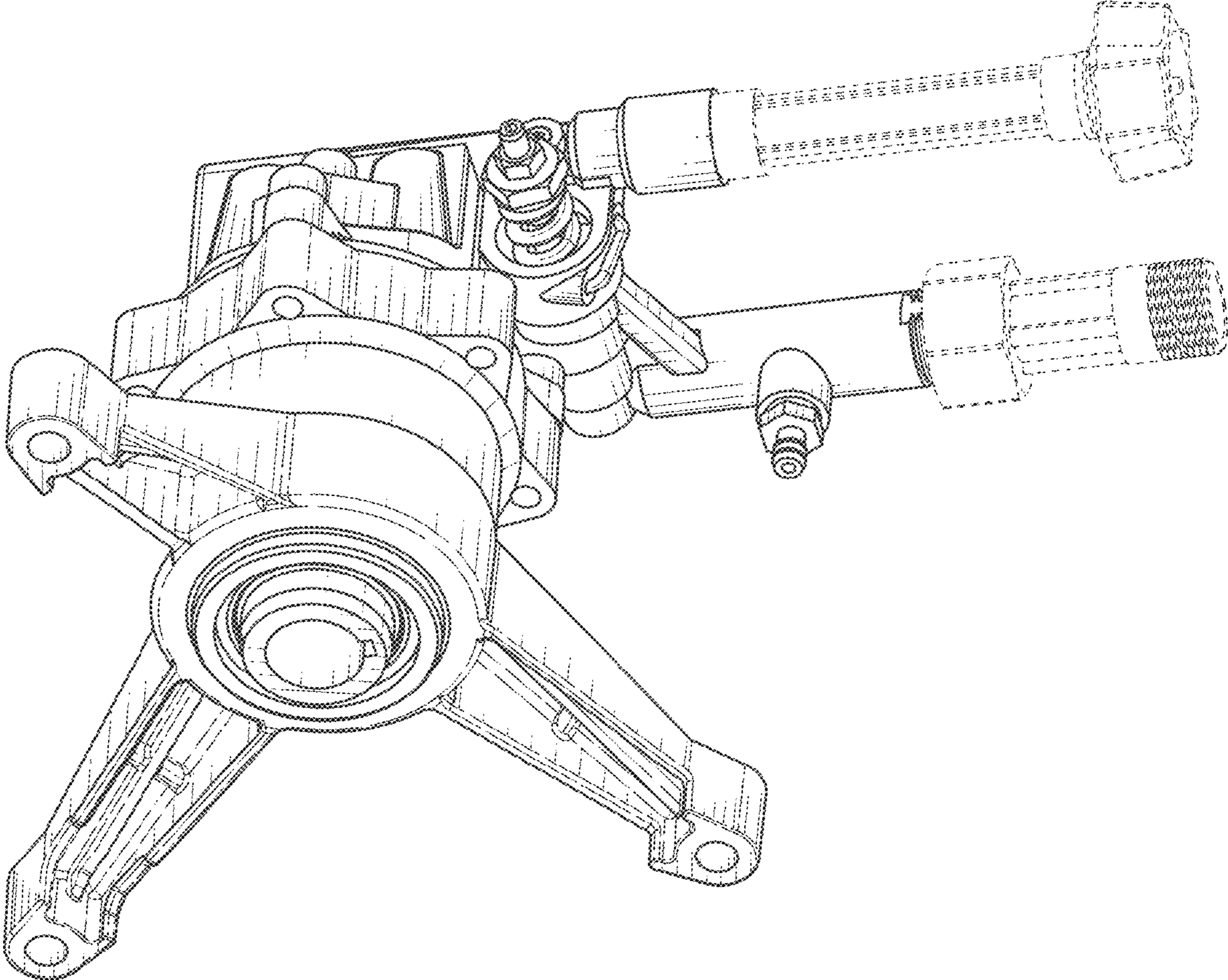


FIG. 4

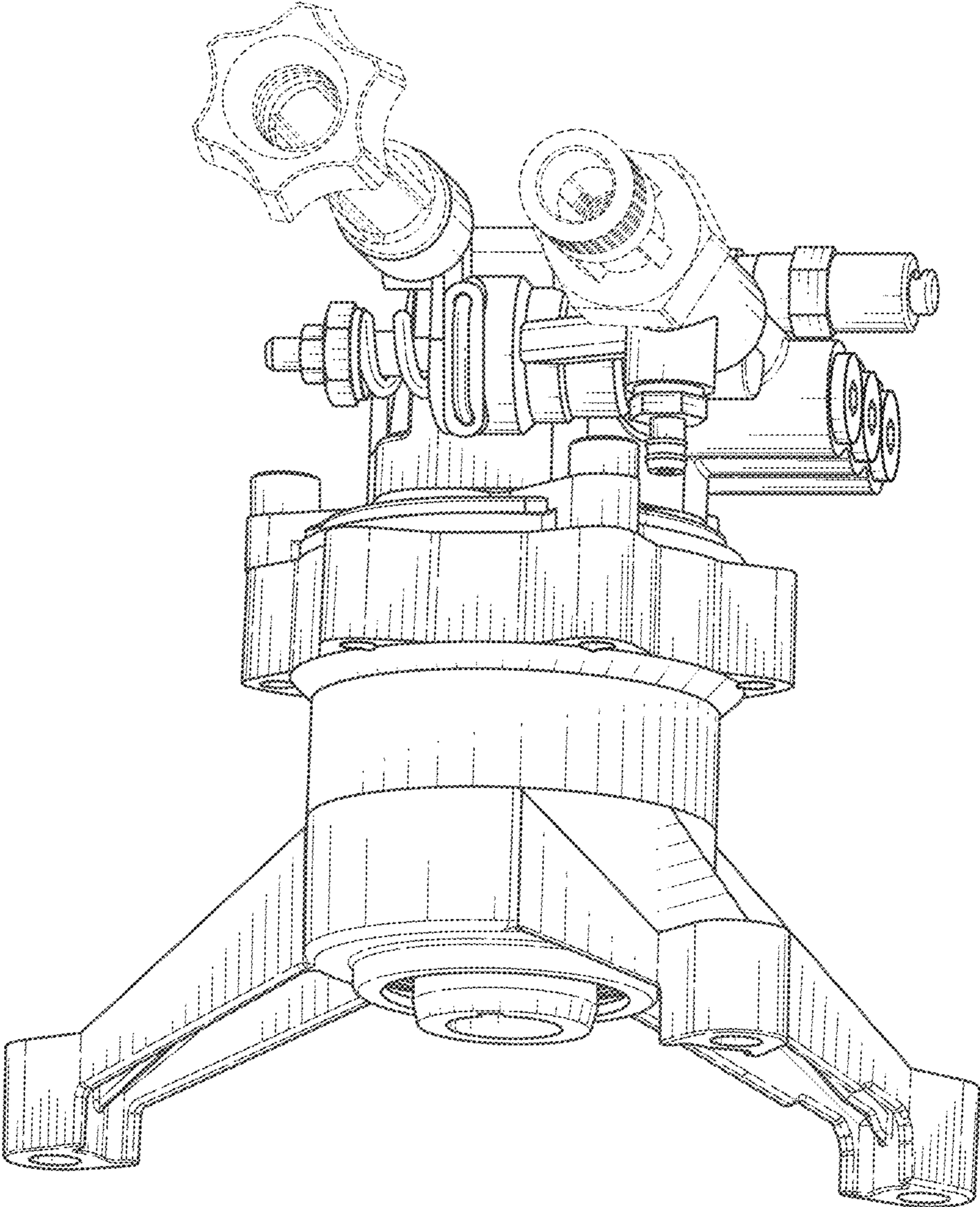


FIG. 5

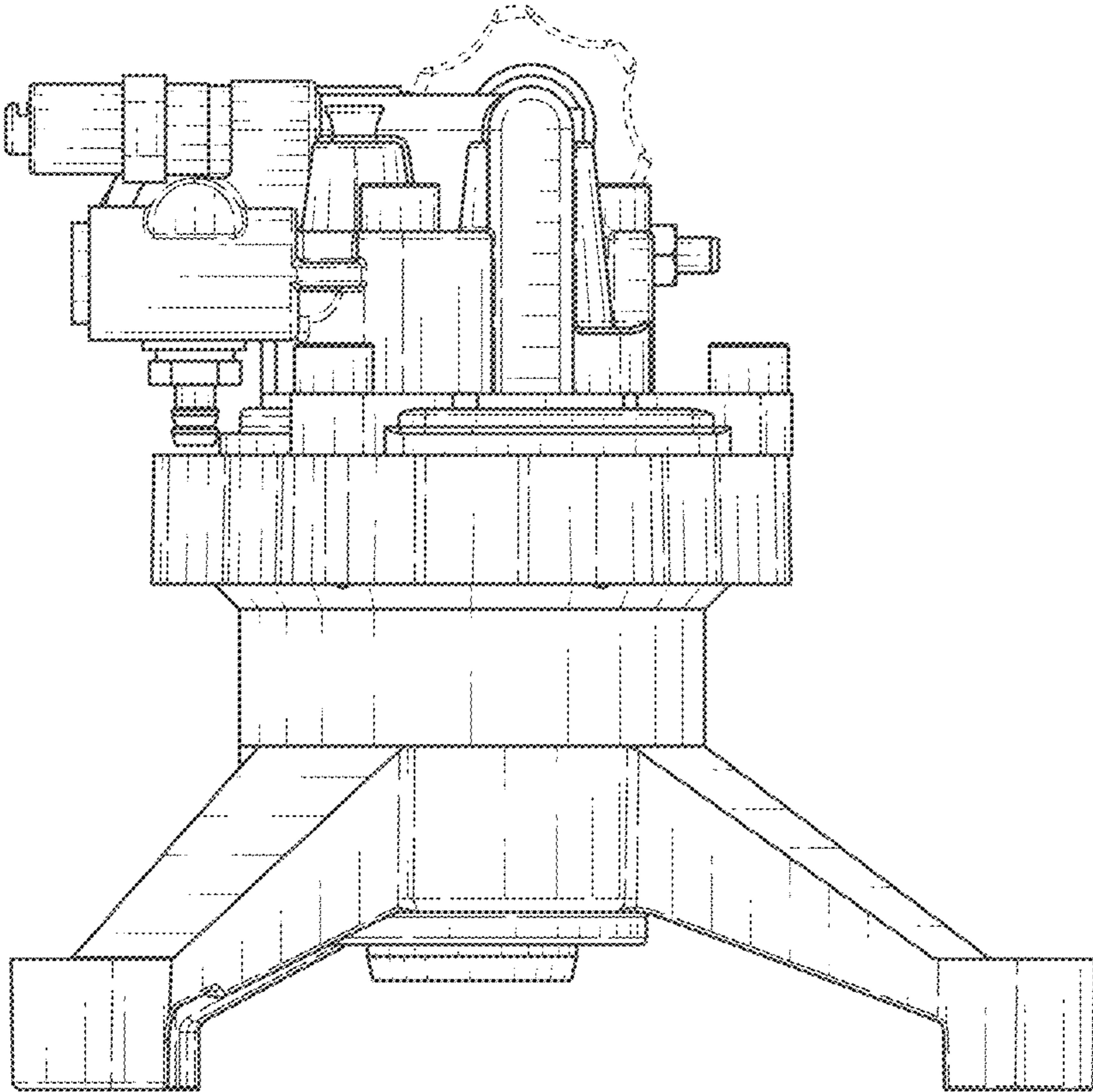


FIG. 6

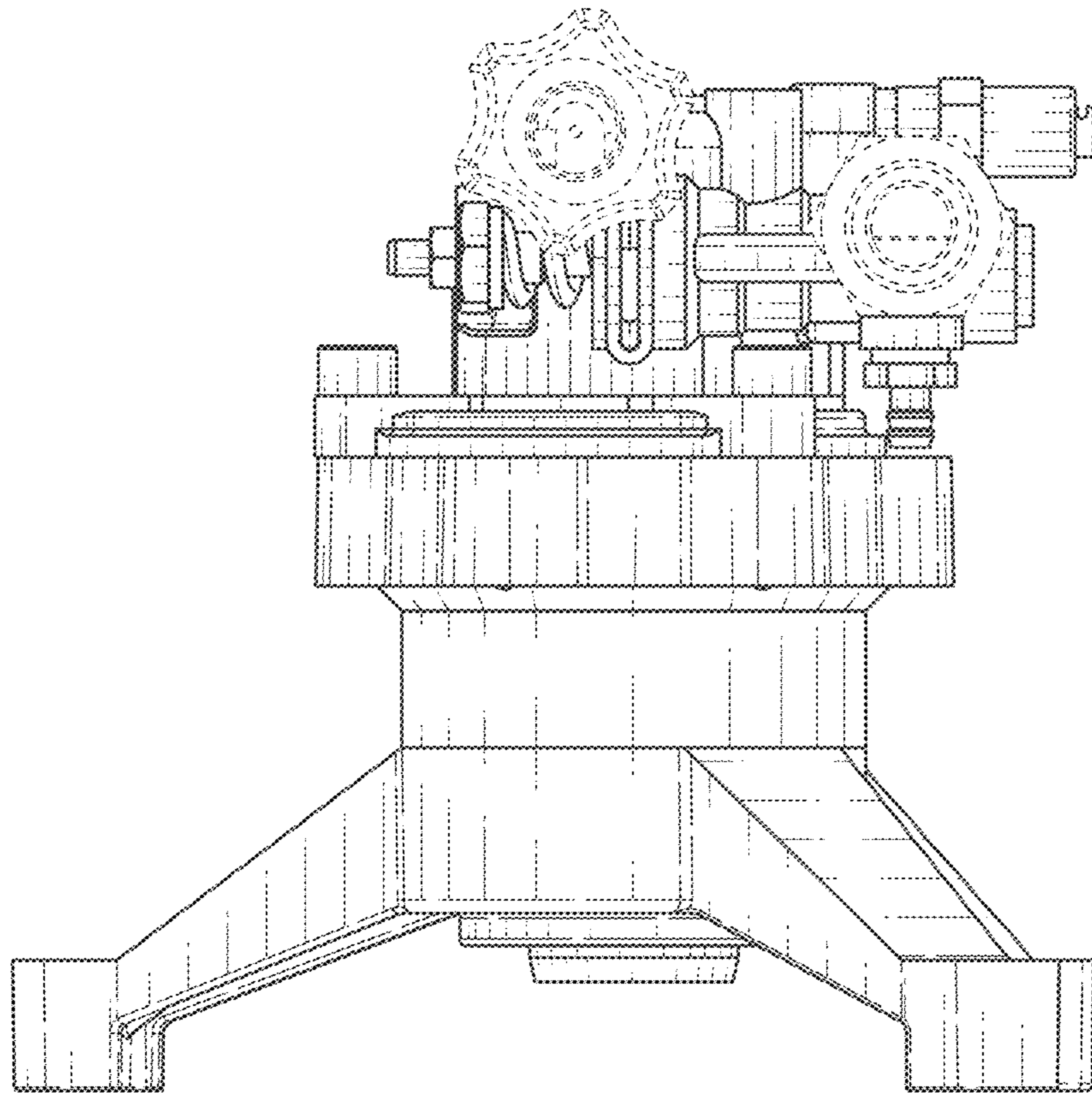


FIG. 7

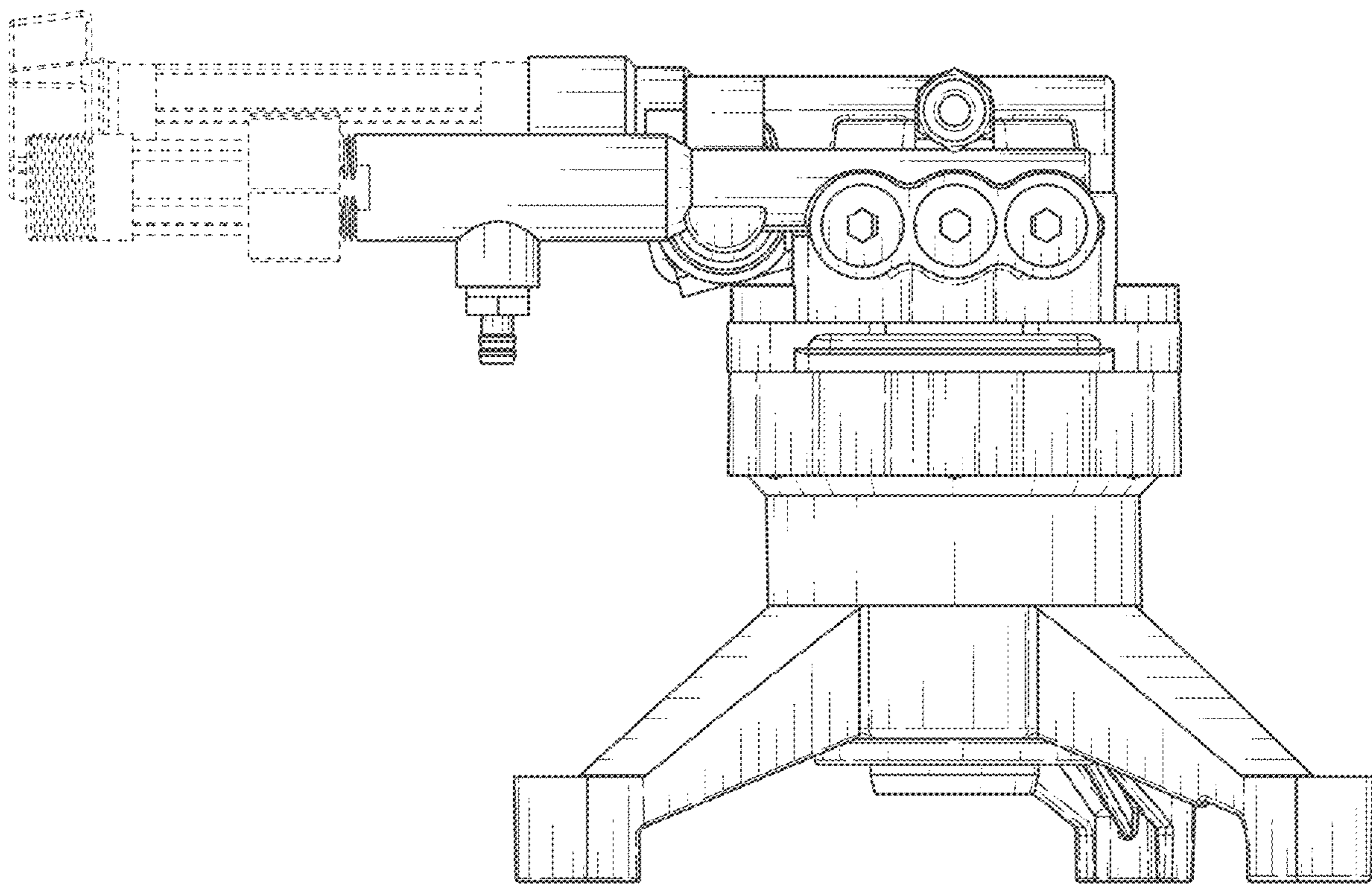


FIG. 8

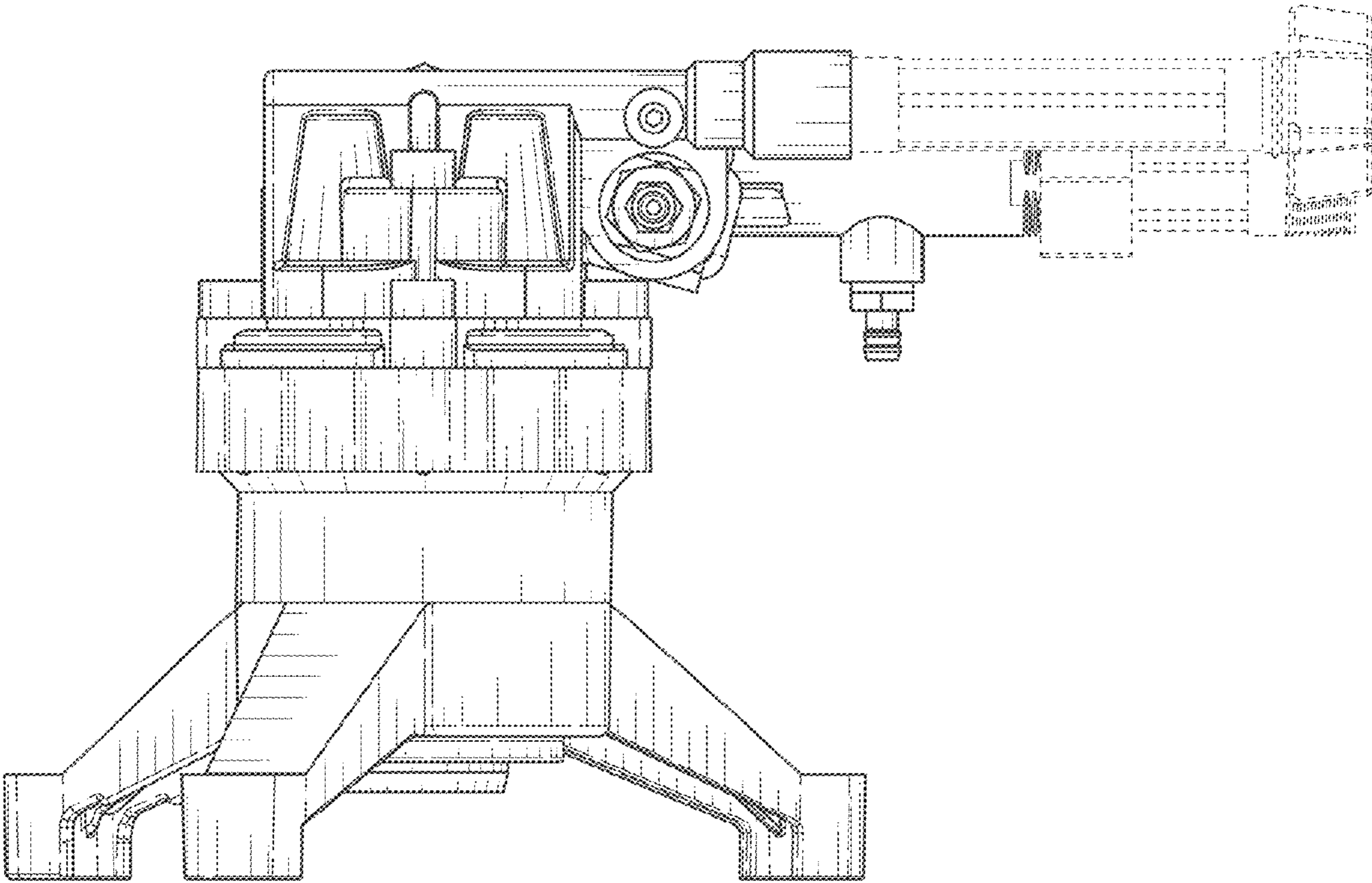


FIG. 9

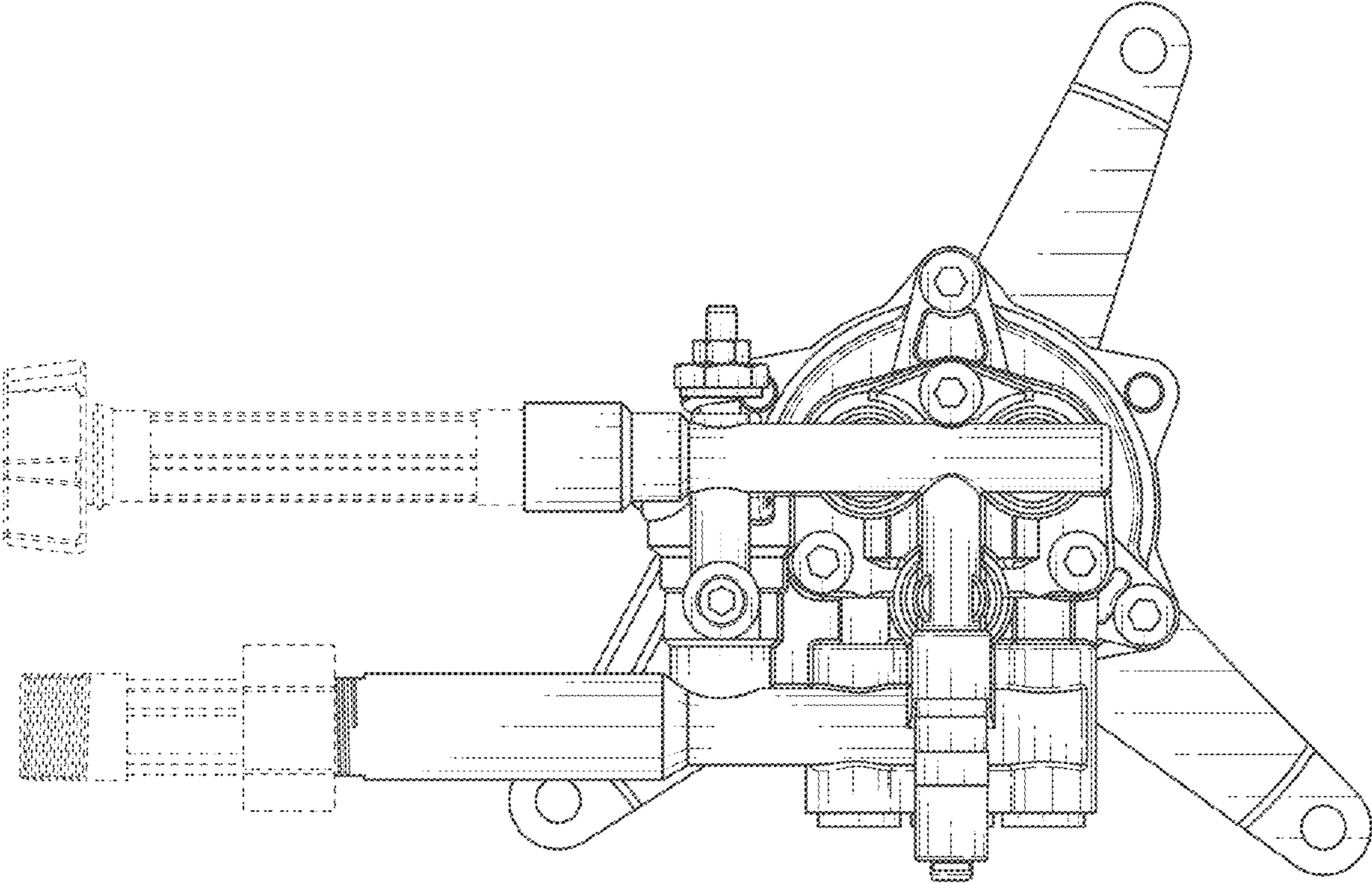


FIG. 10

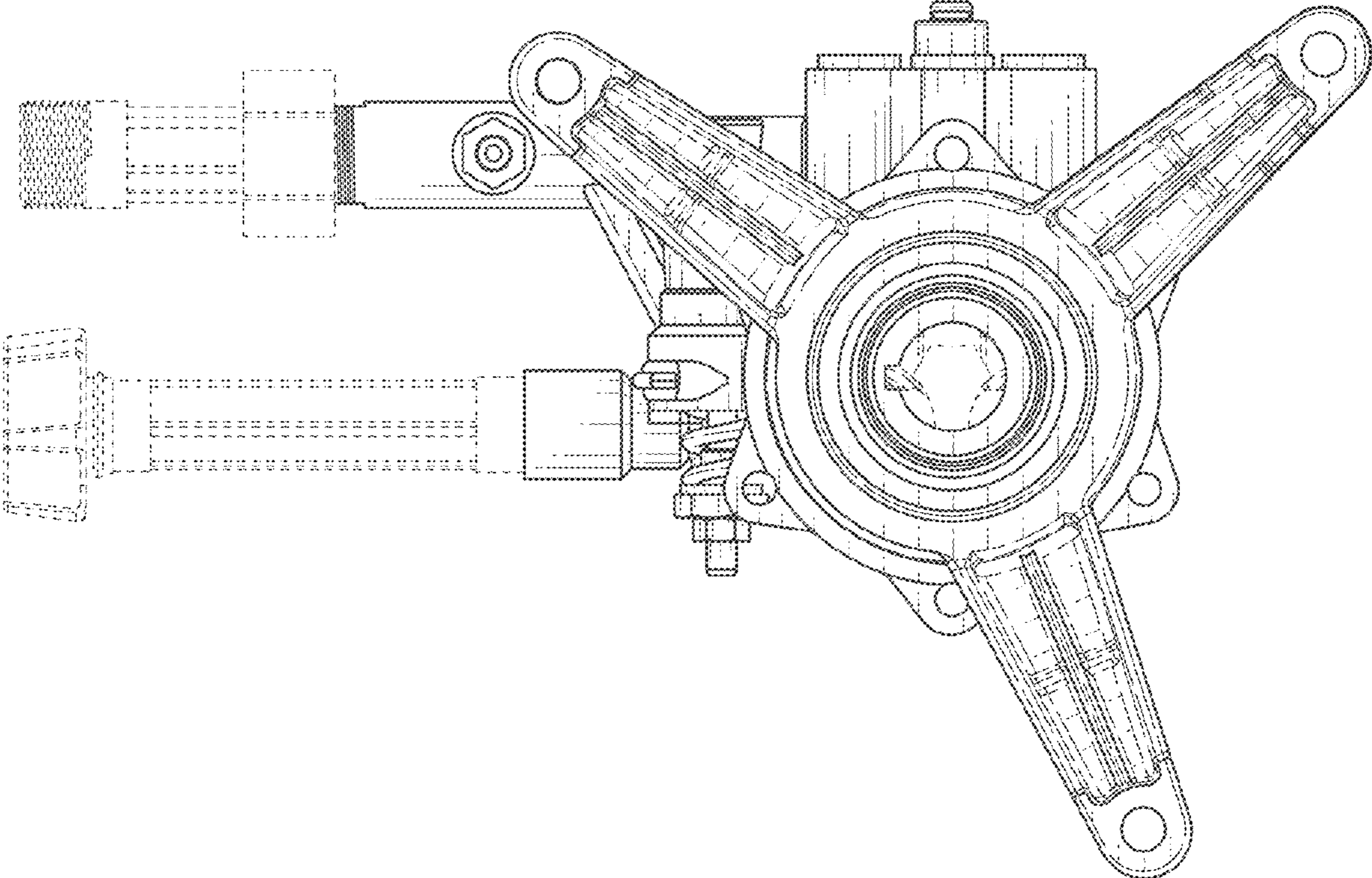


FIG. 11