



US00D903717S

(12) **United States Design Patent** (10) **Patent No.:** **US D903,717 S**
Schaefer et al. (45) **Date of Patent:** **** Dec. 1, 2020**

(54) **COMPRESSOR MODULE**

(71) Applicant: **GARDNER DENVER THOMAS, INC.**, Sheboygan, WI (US)

(72) Inventors: **Christopher Schaefer**, Oostburg, WI (US); **Andy Vande Hey**, Sheboygan, WI (US); **Robert Suppiger**, Grafton, WI (US)

(73) Assignee: **GARDNER DENVER THOMAS, INC.**, Sheboygan, WI (US)

(**) Term: **15 Years**

(21) Appl. No.: **29/624,844**

(22) Filed: **Nov. 3, 2017**

(51) **LOC (12) Cl.** **15-03**

(52) **U.S. Cl.**
USPC **D15/7**

(58) **Field of Classification Search**
USPC D15/7-9; D23/225, 231, 232
CPC F02M 37/04; F02M 37/14
See application file for complete search history.

(56) **References Cited**

U.S. PATENT DOCUMENTS

D746,872 S *	1/2016	Davis	D15/7
D817,360 S *	5/2018	Dietzsch	D15/7
D858,582 S *	9/2019	Shibazaki	D15/7
D861,043 S *	9/2019	Suwabe	D15/7
D870,155 S *	12/2019	Alexander	D15/7
D879,839 S *	3/2020	Alexander	D15/7

OTHER PUBLICATIONS

Thomas by Gardner Denver, "2450 Series Data Sheet," dated Jun. 2017. See also <<https://www.gd-thomas.com/en/products/compressors-and-vacuum-pumps/wob-l-piston-pumps-compressors/2450-series.html>>.

Thomas by Gardner Denver, "2380 Series Data Sheet," dated Jun. 2017. See also <<https://www.gd-thomas.com/en/products/compressors-and-vacuum-pumps/wob-l-piston-pumps-compressors/2380-series.html>>.

Thomas by Gardner Denver, "2688T Series Data Sheet," dated Apr. 2015. See also <<https://www.gd-thomas.com/en/products/compressors-and-vacuum-pumps/wob-l-piston-pumps-compressors/2688t-series.html>>.

Thomas by Gardner Denver, "2505 Series Data Sheet," dated Jun. 2017. See also <<https://www.gd-thomas.com/en/products/compressors-and-vacuum-pumps/wob-l-piston-pumps-compressors/2505-series.html>>.

* cited by examiner

Primary Examiner — Khawaja Anwar

(74) *Attorney, Agent, or Firm* — Michael Best & Friedrich LLP

(57) **CLAIM**

We claim the ornamental design for a compressor module, as shown and described.

DESCRIPTION

FIG. 1 is a front perspective view of a second embodiment of a compressor module.

FIG. 2 is a front side view of the compressor module of FIG. 1.

FIG. 3 is a rear side view of the compressor module of FIG. 1.

FIG. 4 is a right end view of the compressor module of FIG. 1.

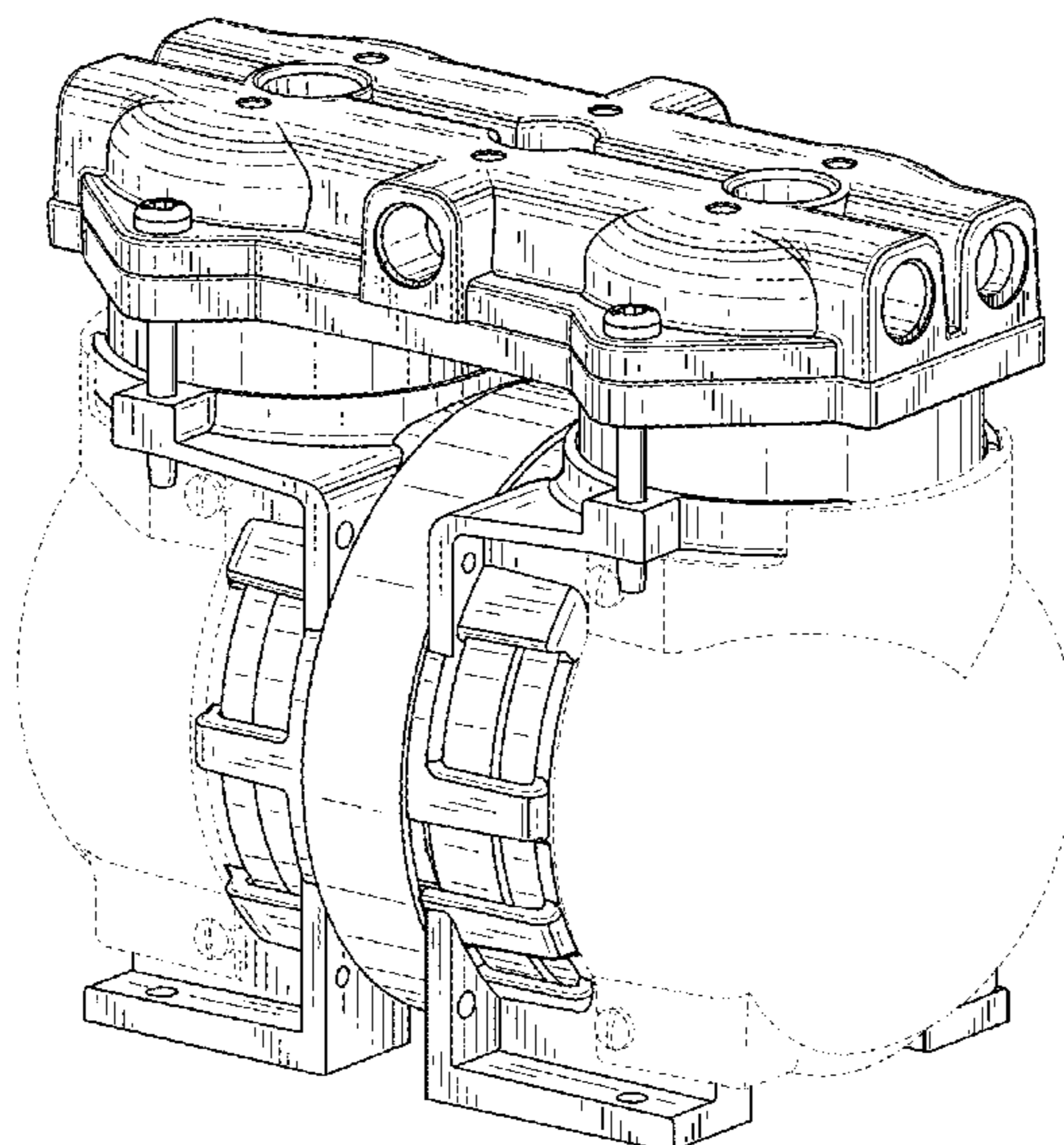
FIG. 5 is a left end view of the compressor module of FIG. 1.

FIG. 6 is a top view of the compressor module of FIG. 1; and,

FIG. 7 is a bottom view of the compressor module of FIG. 1.

The elements shown in broken lines are included for the purpose of illustrating environment and form no part of the claimed design.

1 Claim, 7 Drawing Sheets



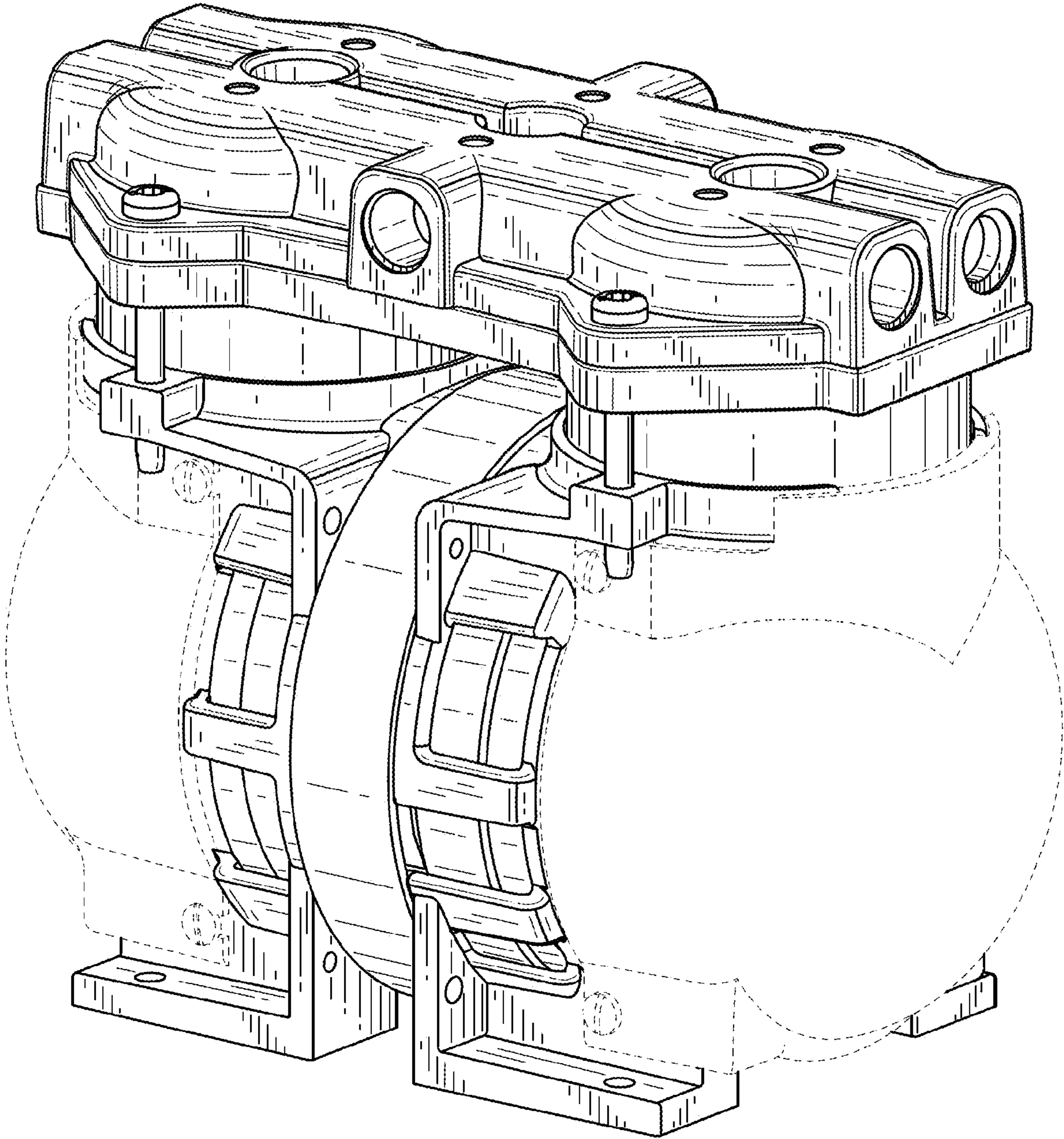


FIG. 1

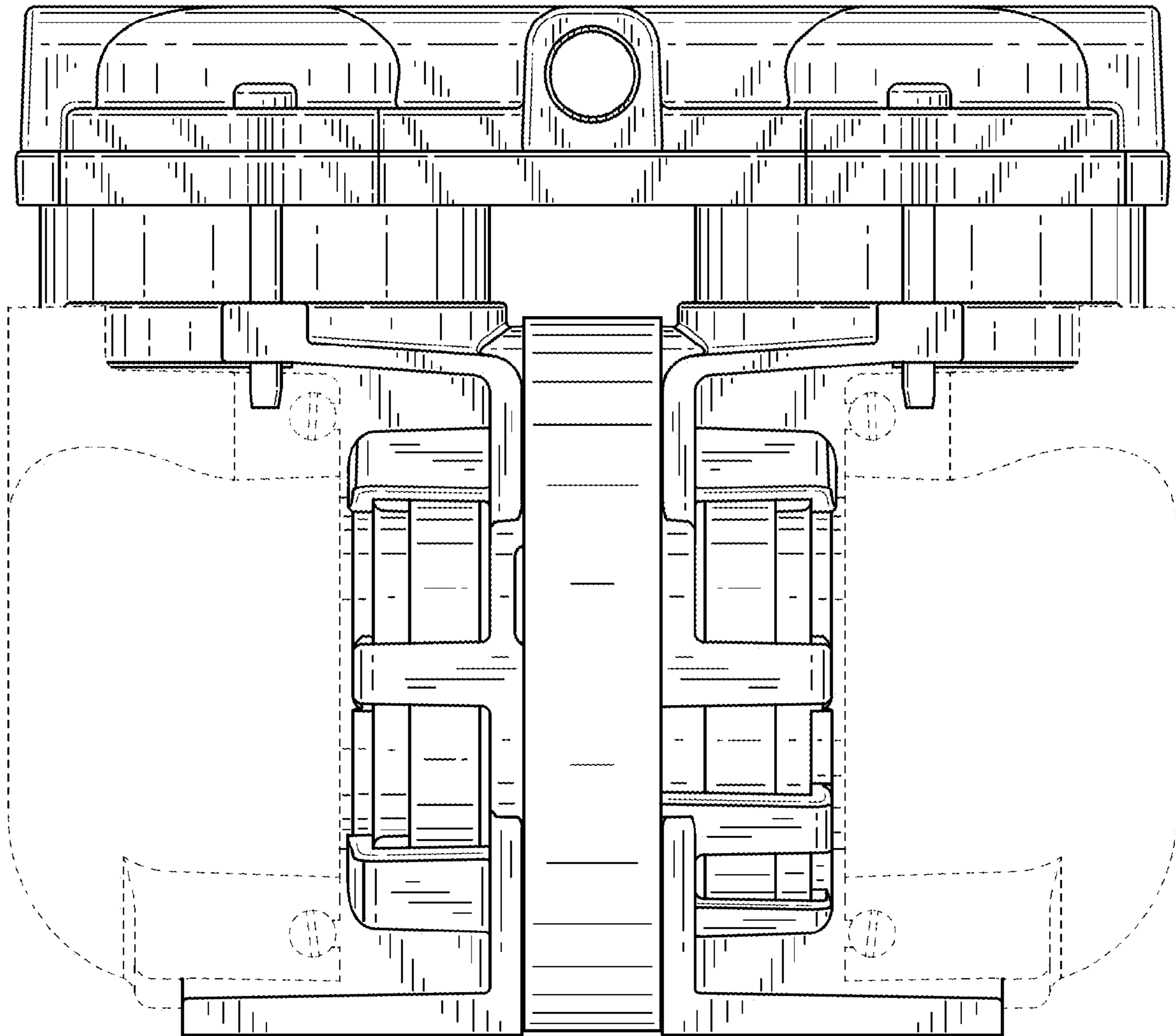


FIG. 2

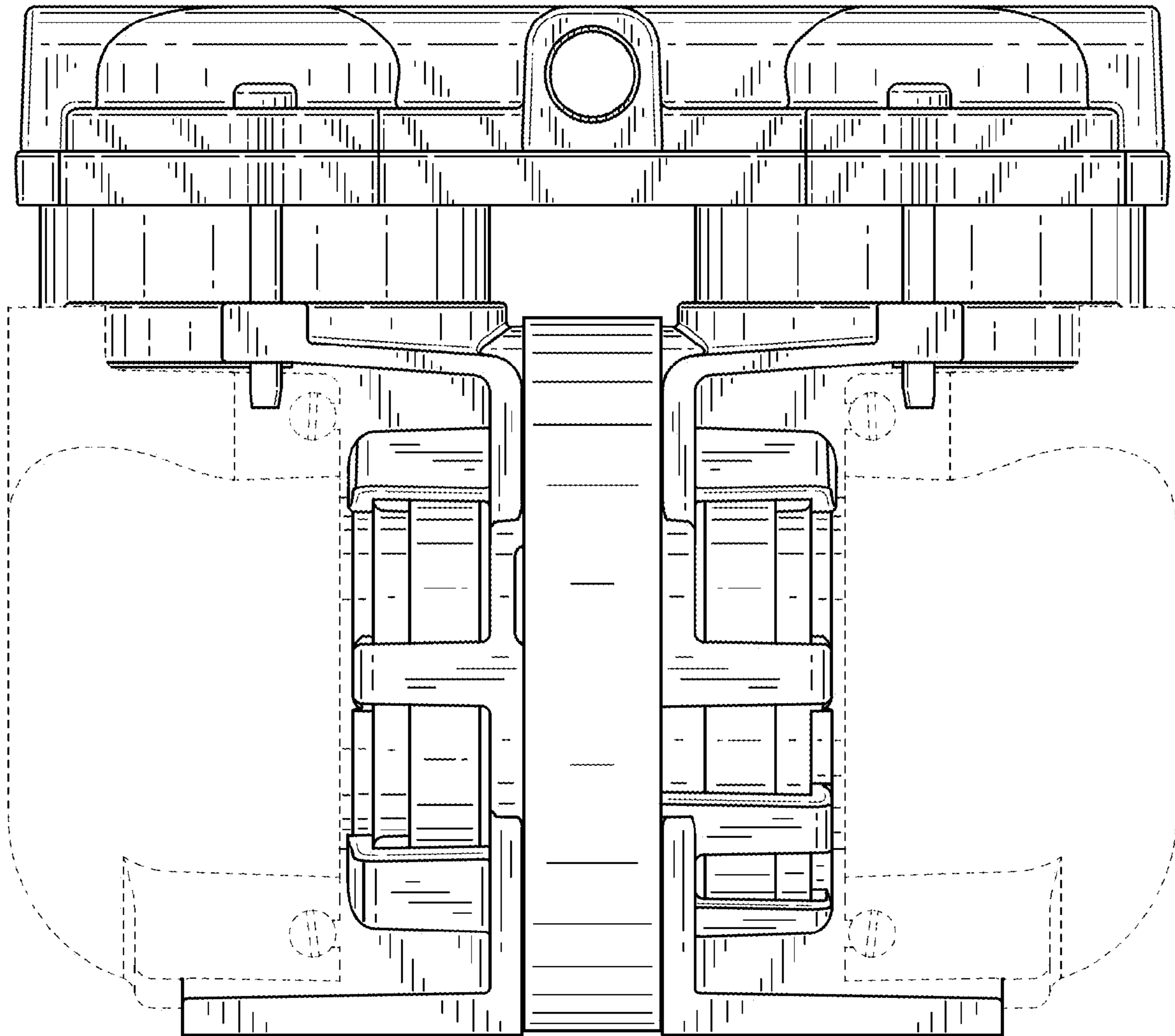


FIG. 3

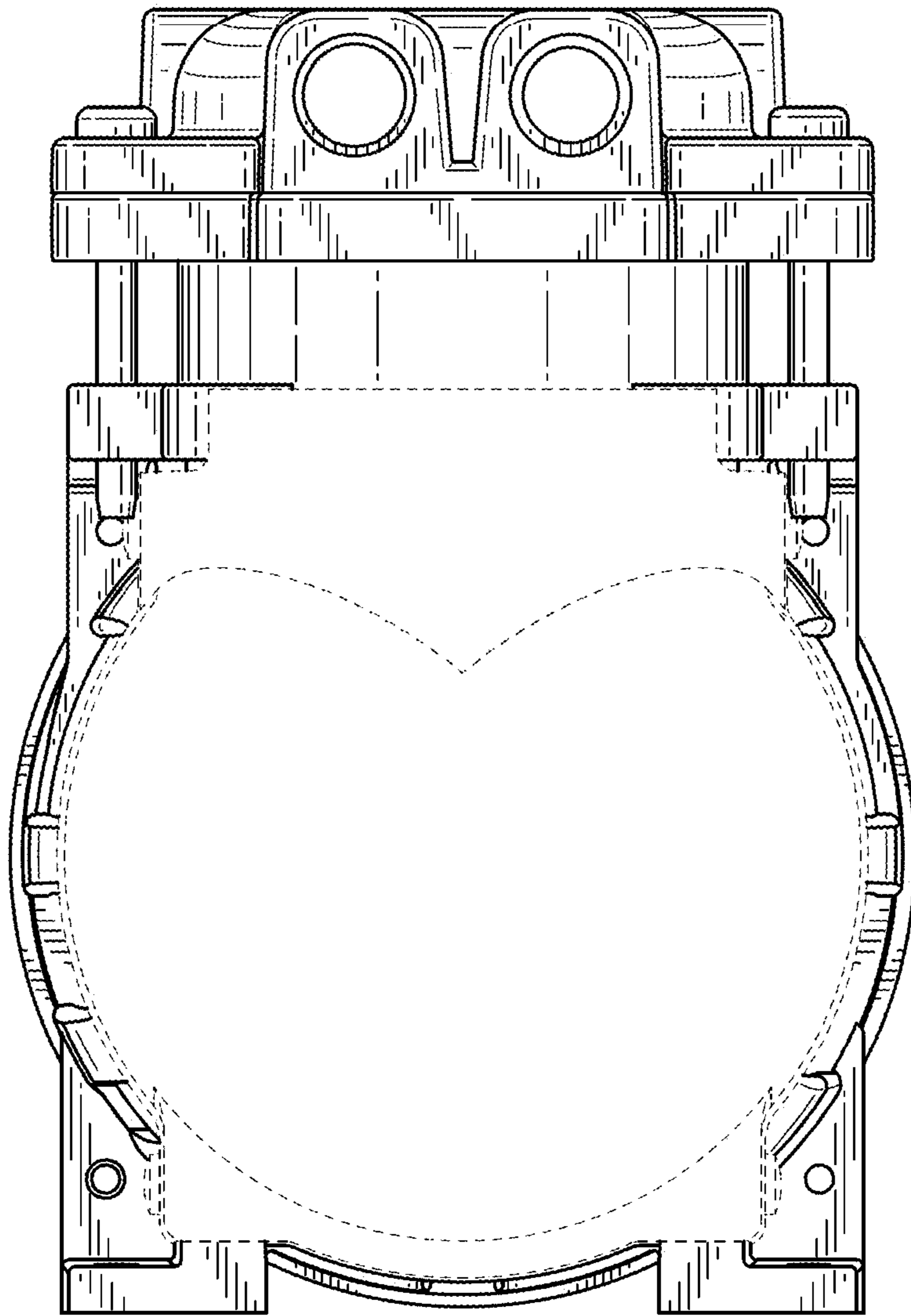


FIG. 4

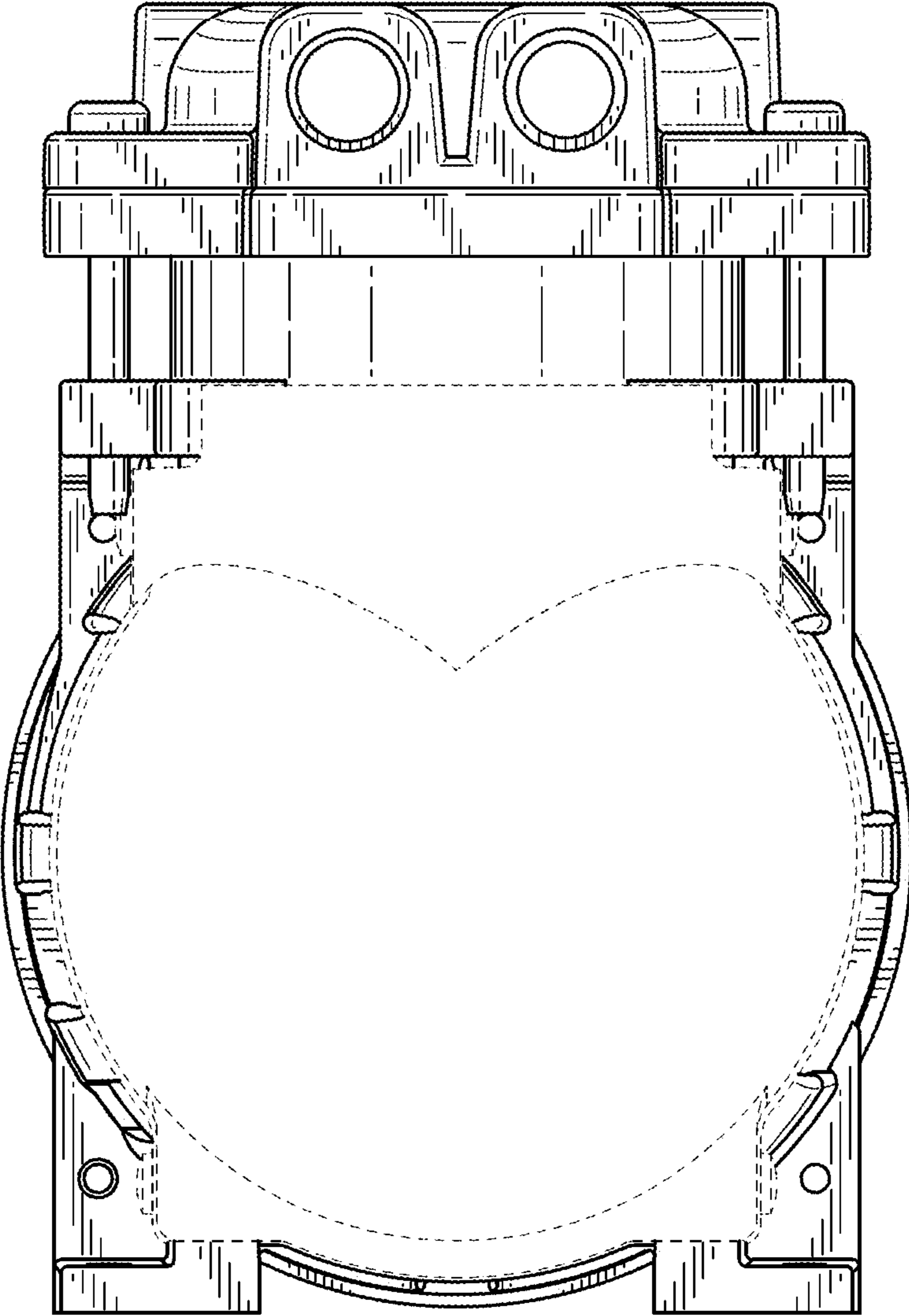


FIG. 5

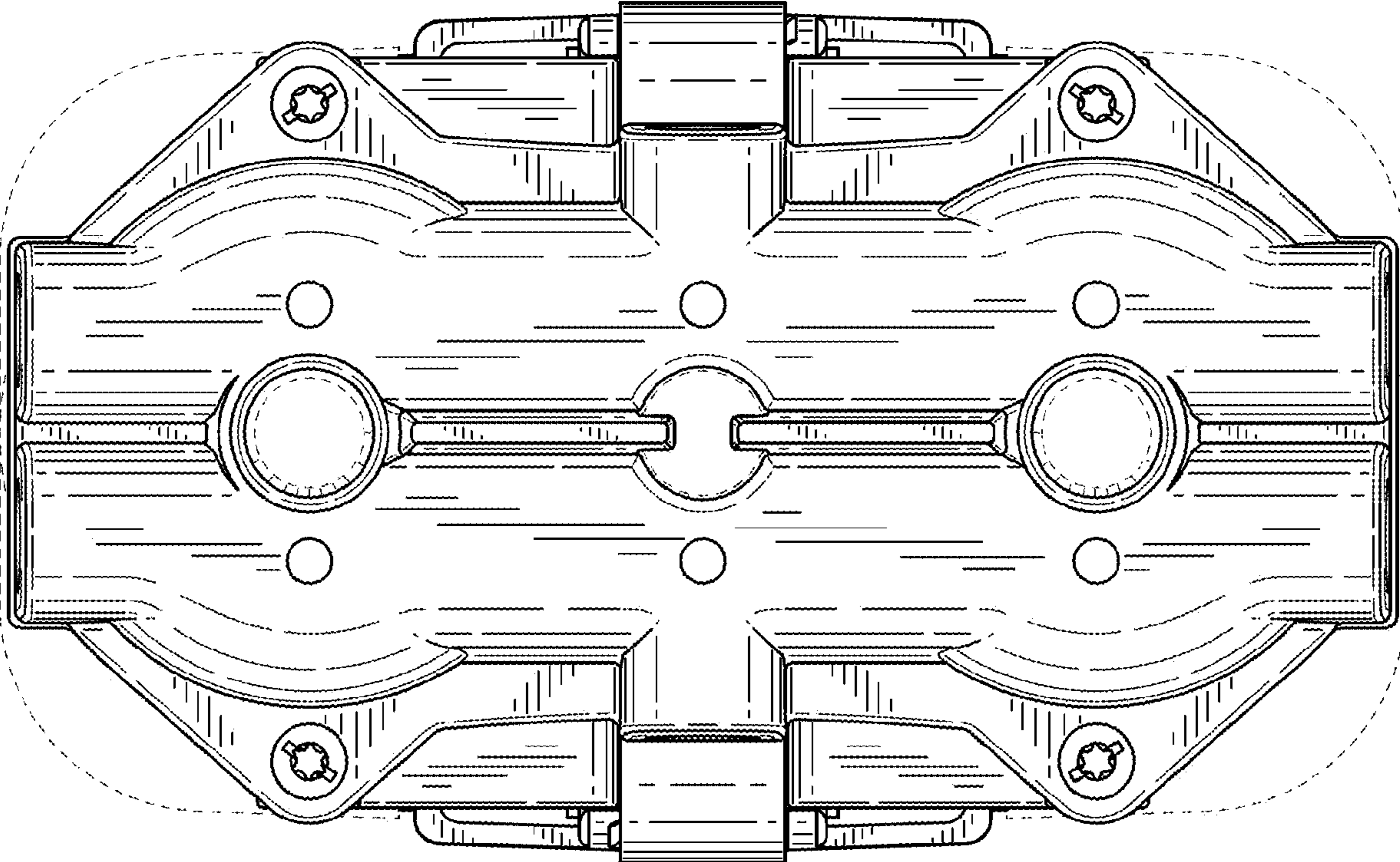


FIG. 6

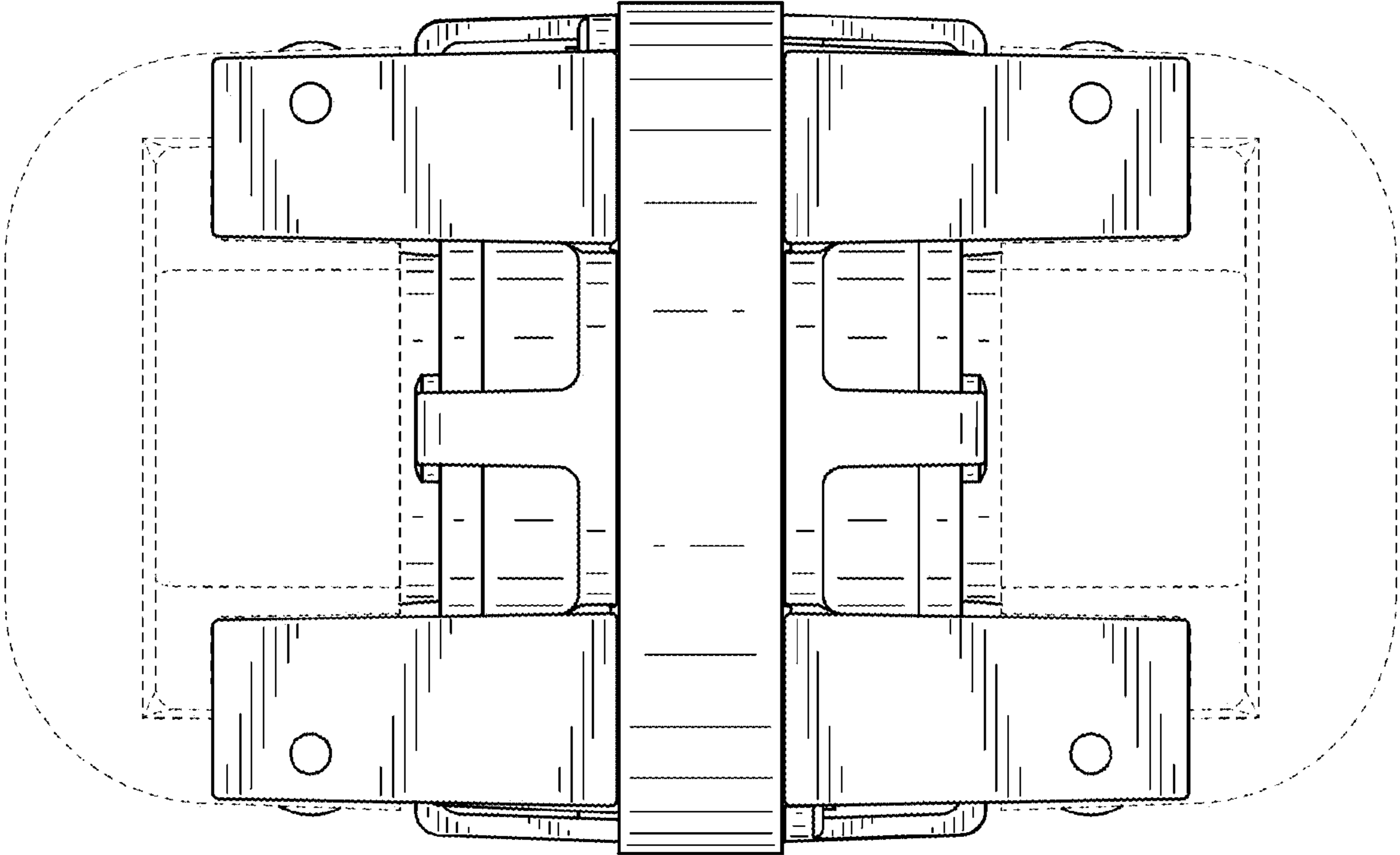


FIG. 7