

US00D903715S

(12) **United States Design Patent** (10) **Patent No.:** **US D903,715 S**  
**Leichliter et al.** (45) **Date of Patent:** **\*\* Dec. 1, 2020**

(54) **THERMAL DEFLECTOR** 2010/0308557 A1\* 12/2010 Pruitt ..... B62J 23/00  
280/304.3

(71) Applicants: **Chad Timothy Leichliter**, Quakertown, PA (US); **Steven William Butcher**, Collegeville, PA (US) 2012/0024106 A1 2/2012 Brotzki  
2014/0230602 A1 8/2014 Shirley  
\* cited by examiner

(72) Inventors: **Chad Timothy Leichliter**, Quakertown, PA (US); **Steven William Butcher**, Collegeville, PA (US) *Primary Examiner* — Michael A. Pratt  
(74) *Attorney, Agent, or Firm* — Blank Rome LLP

(73) Assignee: **RB Distribution, Inc.**, Colmar, PA (US) (57) **CLAIM**  
The ornamental design for a thermal deflector, as shown and described.

(\*\*) Term: **15 Years**

(21) Appl. No.: **29/698,986**

(22) Filed: **Jul. 22, 2019**

**Related U.S. Application Data**

(63) Continuation of application No. 16/410,754, filed on May 13, 2019.

(51) **LOC (12) Cl.** ..... **15-01**

(52) **U.S. Cl.**  
USPC ..... **D15/5**

(58) **Field of Classification Search**  
USPC ..... D15/5  
CPC ..... B60R 13/0876; B60R 13/0869  
See application file for complete search history.

(56) **References Cited**

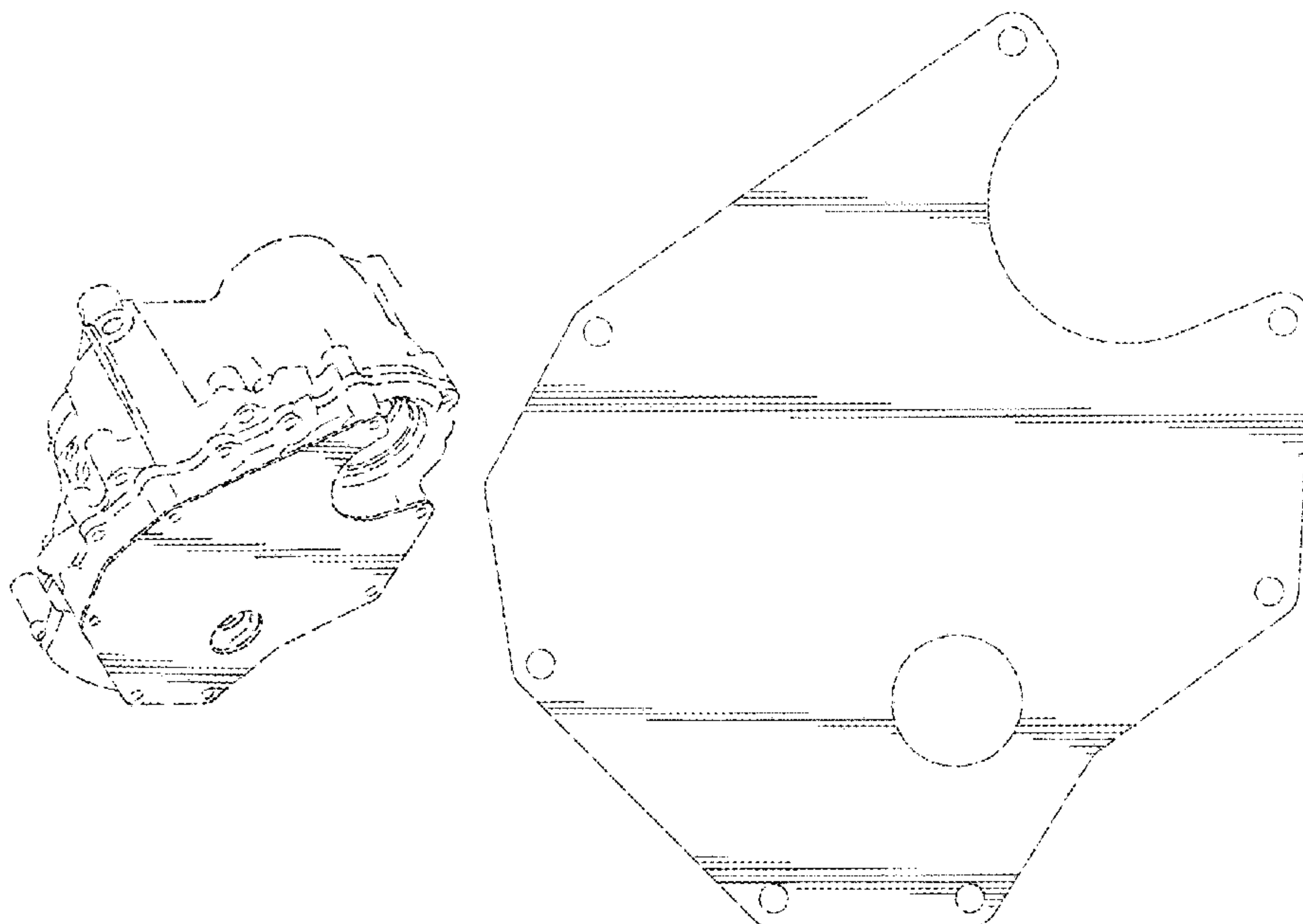
**U.S. PATENT DOCUMENTS**

1,564,742 A 12/1925 Acker  
2,695,726 A 11/1954 Chatfield  
4,872,502 A 10/1989 Holzman  
5,193,415 A 3/1993 Massel  
6,088,458 A 7/2000 Hasegawa et al.  
D892,049 S \* 8/2020 Hoshida ..... D13/118

**DESCRIPTION**

FIG. 1 is a perspective view of an embodiment of a thermal deflector attached to a component of our design;  
FIG. 2 is a front view thereof;  
FIG. 3 is a top view thereof;  
FIG. 4 is a bottom thereof;  
FIG. 5 is a left-side view thereof;  
FIG. 6 is a right-side view thereof;  
FIG. 7 is a front view of a thermal deflector of our design;  
FIG. 8 is a top view thereof;  
FIG. 9 is a bottom view thereof;  
FIG. 10 is a left-side view thereof;  
FIG. 11 is a right-side view thereof;  
FIG. 12 is a cross-section of a rib;  
FIG. 13 is a front view of a thermal deflector of our design;  
FIG. 14 is a top view thereof;  
FIG. 15 is a bottom thereof;  
FIG. 16 is a left-side view thereof; and,  
FIG. 17 is a right-side view thereof.  
The broken lines in the drawings depict portions of the thermal deflector and component that form no part of the claimed design.

**1 Claim, 6 Drawing Sheets**



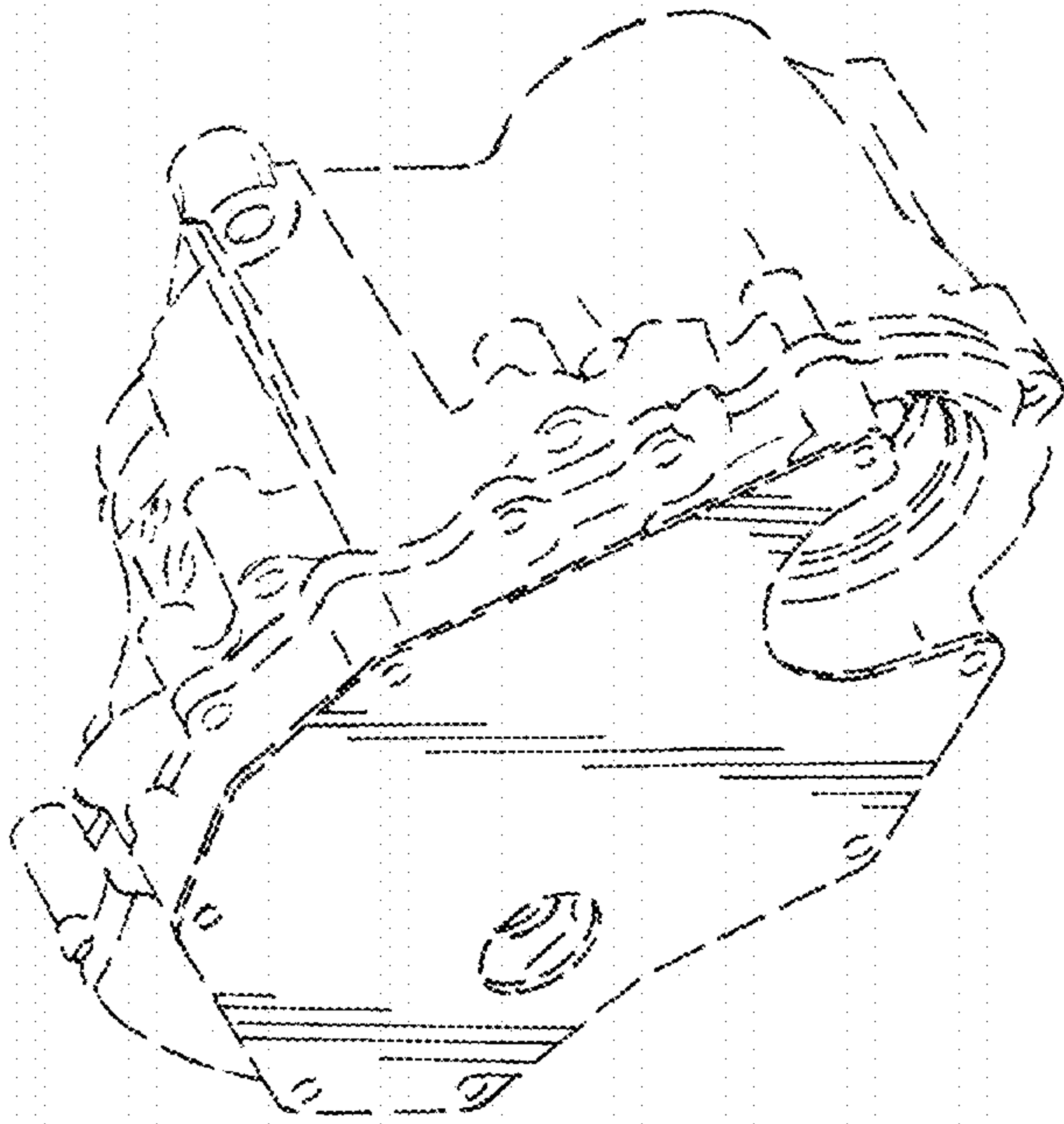


FIG. 1

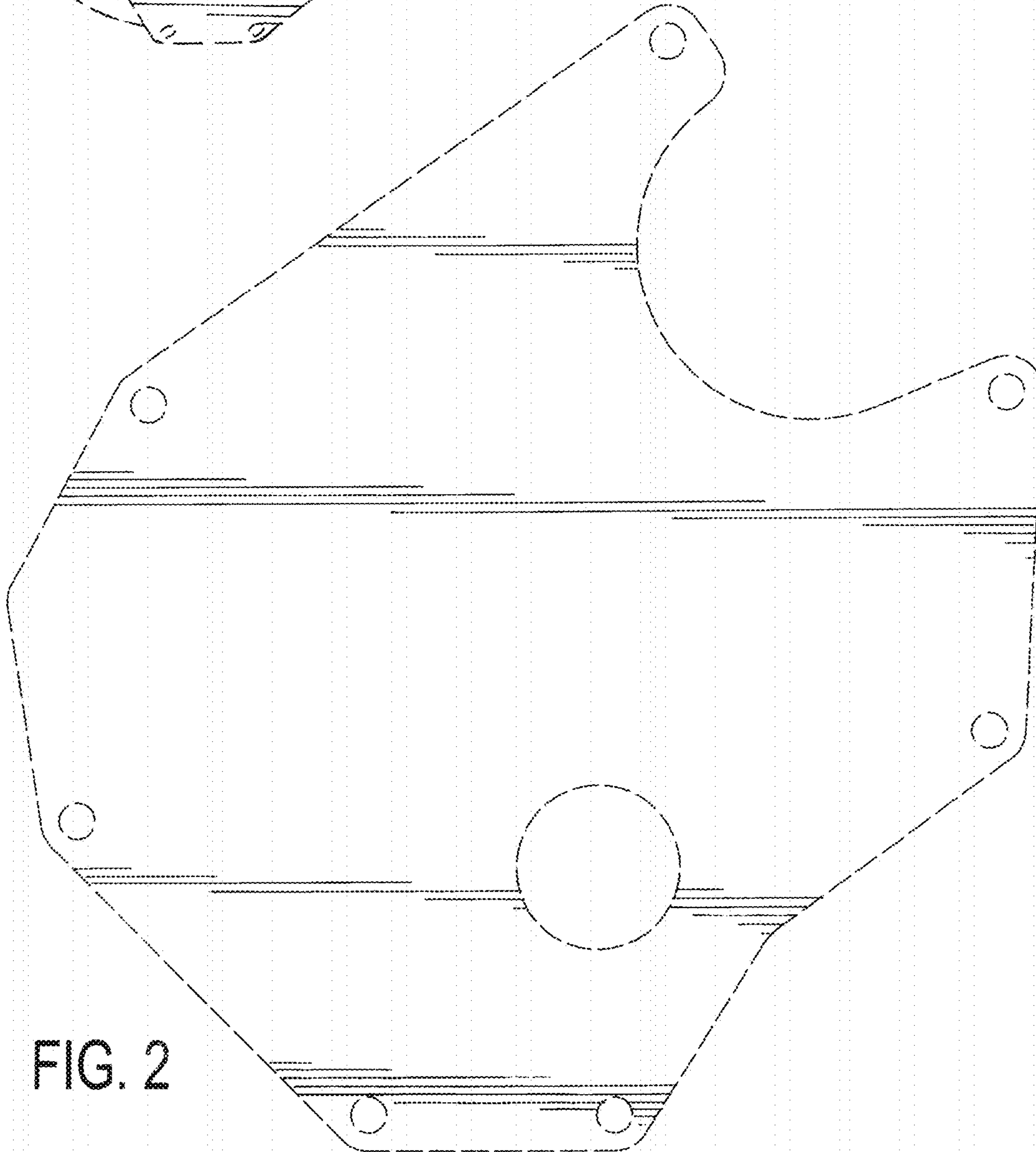


FIG. 2



FIG. 3



FIG. 4



FIG. 5



FIG. 6



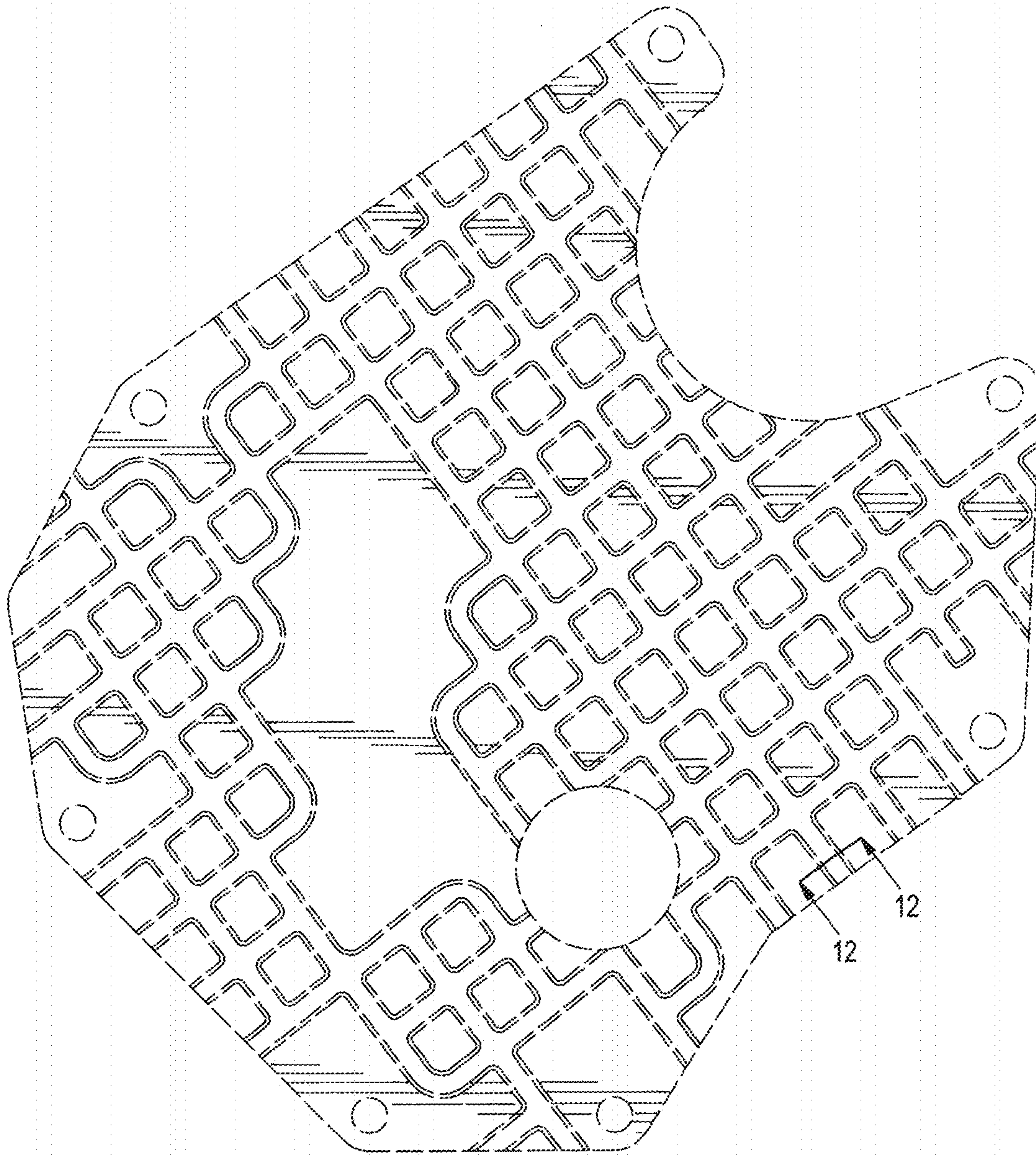


FIG. 7

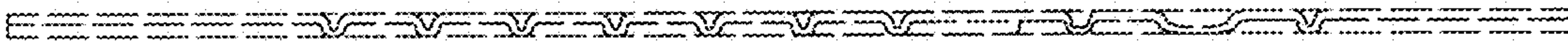


FIG. 8

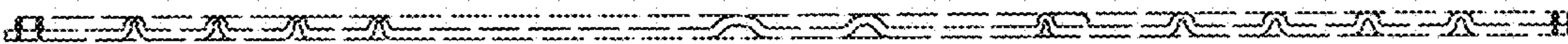


FIG. 9



FIG. 10

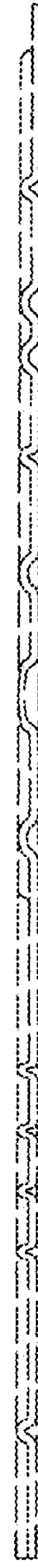


FIG. 11

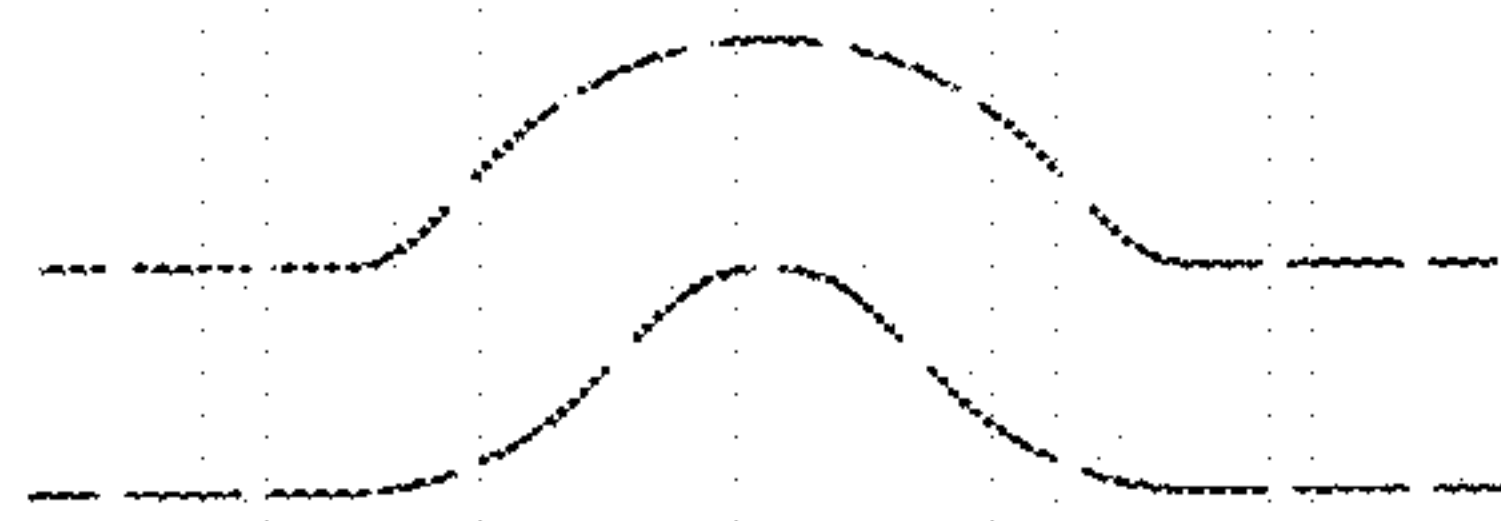


FIG. 12



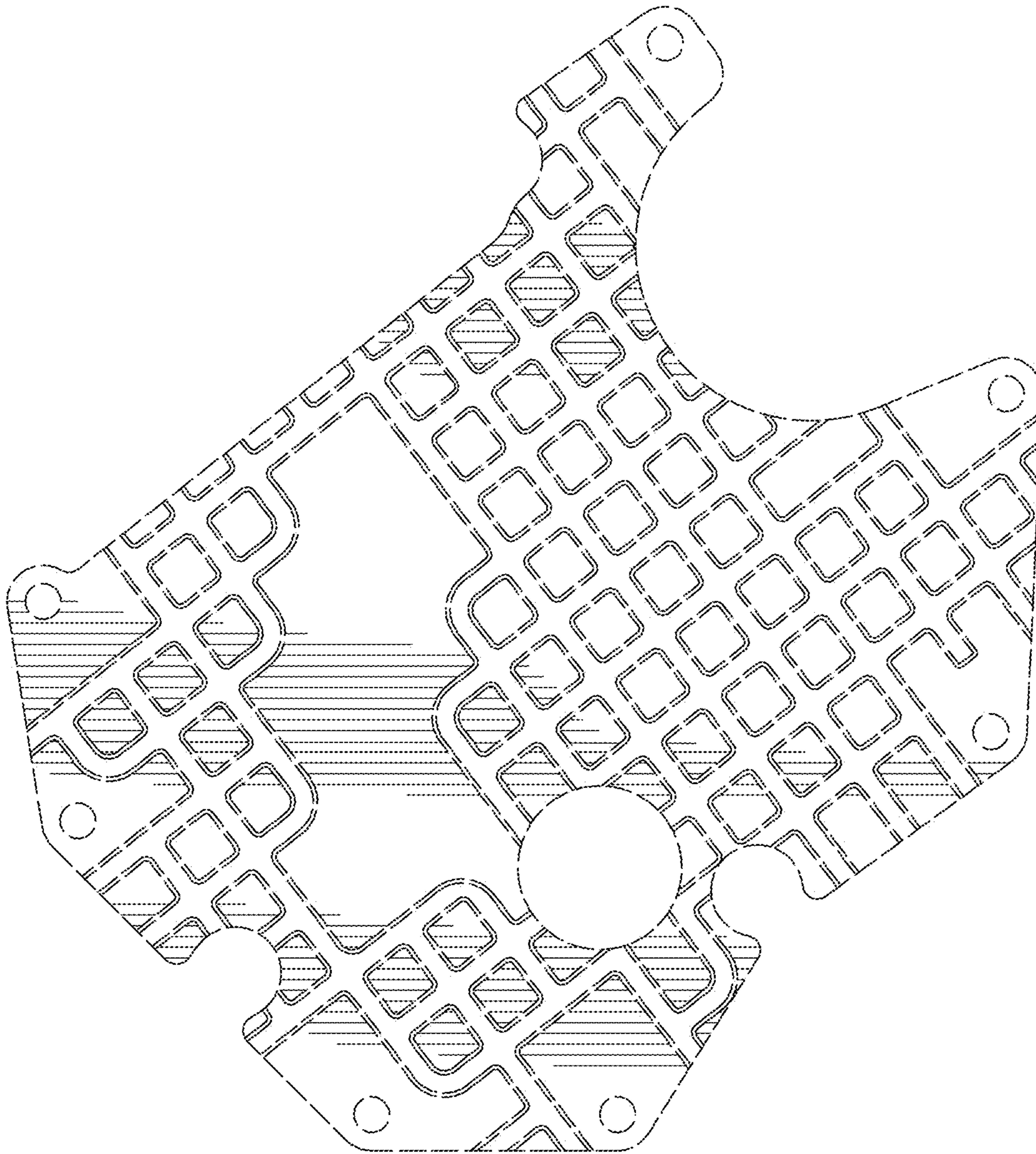


FIG. 13

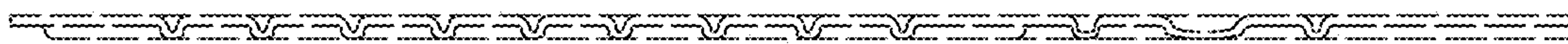


FIG. 14

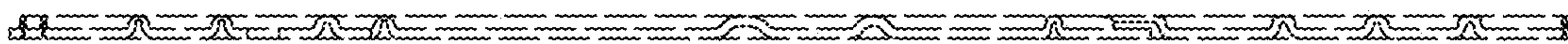


FIG. 15



FIG. 16

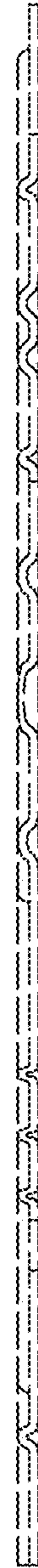


FIG. 17