



US00D903706S

(12) **United States Design Patent** (10) **Patent No.:** **US D903,706 S**
Lisseman et al. (45) **Date of Patent:** **** Dec. 1, 2020**

(54) **STEERING WHEEL DISPLAY SCREEN WITH GRAPHICAL USER INTERFACE**

(71) Applicant: **Joyson Safety Systems Acquisition LLC, Auburn Hills, MI (US)**

(72) Inventors: **Jason Carl Lisseman, Shelby Township, MI (US); Makoto Kawaguchi, Troy, MI (US)**

(73) Assignee: **Joyson Safety Systems Acquisition LLC, Auburn Hills, MI (US)**

(**) Term: **15 Years**

(21) Appl. No.: **29/681,453**

(22) Filed: **Feb. 26, 2019**

Related U.S. Application Data

(63) Continuation of application No. 29/589,784, filed on Jan. 4, 2017, now Pat. No. Des. 847,190.

(51) **LOC (12) Cl.** **14-04**

(52) **U.S. Cl.**
USPC **D14/487**

(58) **Field of Classification Search**
USPC D14/485-495
CPC G06F 3/048; G06F 3/0481; G06F 3/04817; G06F 3/0482; G06F 3/0483; G06F 3/04842; G06F 3/0485; G06F 3/04855; G06F 3/0486; G06F 3/0488; G06F 3/04886; G06F 9/4443; G06F 17/211; G06F 17/212

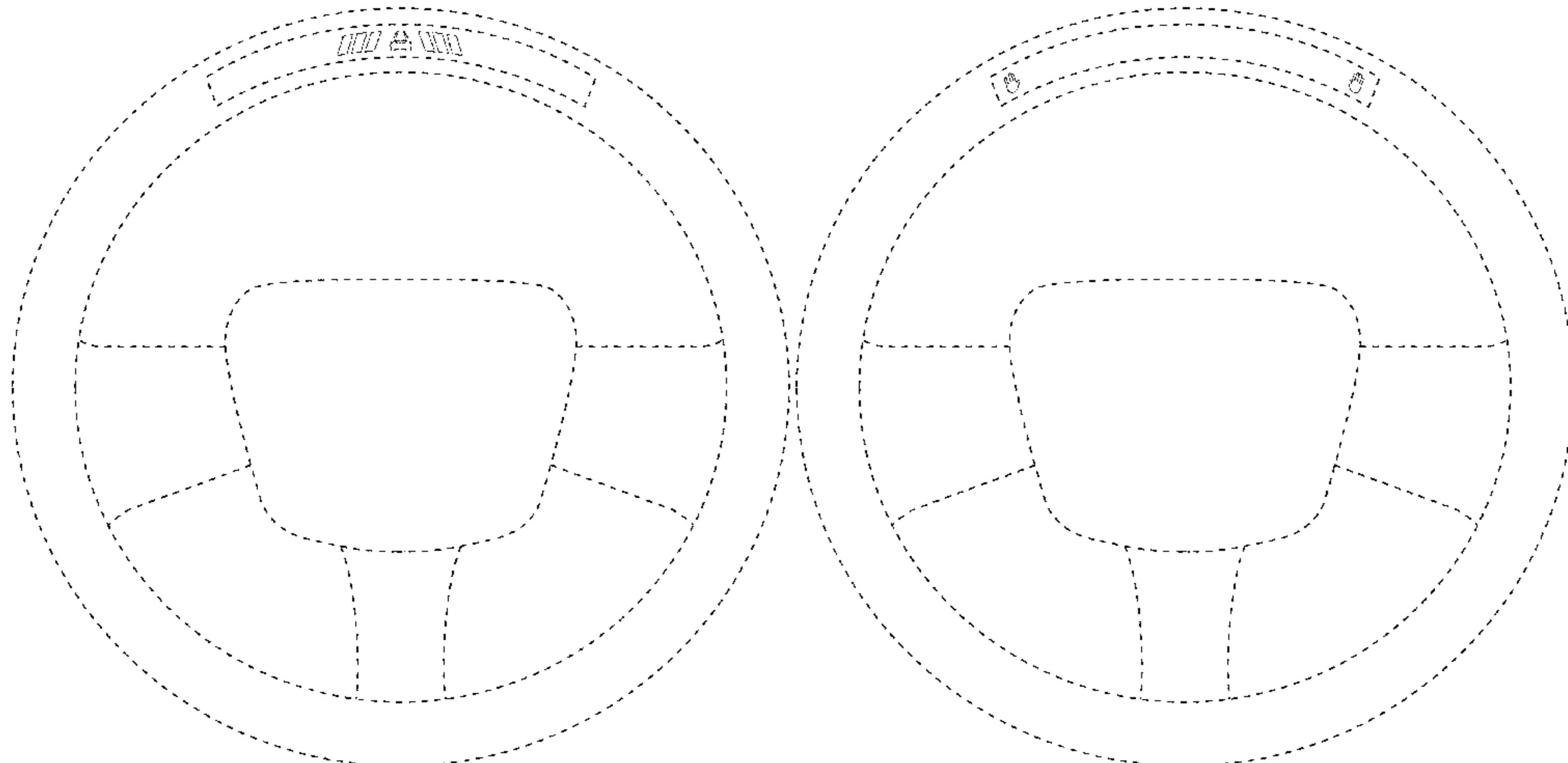
See application file for complete search history.

(56) **References Cited**

U.S. PATENT DOCUMENTS

2,825,567 A 3/1958 Simons
D342,474 S 12/1993 Oki
D342,925 S 1/1994 Brajcki
5,666,102 A 9/1997 Lahiff
D418,786 S 1/2000 Giamos
6,190,026 B1 2/2001 Moore

6,296,380 B1 10/2001 Dawli
6,668,682 B1 12/2003 Emeneth et al.
7,414,520 B2 8/2008 Meissner
7,468,656 B1 12/2008 Frank
7,525,449 B1 4/2009 Lafontaine
7,602,278 B2 10/2009 Prost-Fin et al.
7,605,693 B2 10/2009 Kulas
7,605,694 B2 10/2009 Prost-Fin et al.
D607,005 S 12/2009 Ording
7,672,759 B1 3/2010 Lafontaine
7,679,495 B2 3/2010 Beutnagel-Buchner et al.
7,786,886 B2 8/2010 Maruyama et al.
D641,372 S 7/2011 Gardener et al.
D643,438 S * 8/2011 Gardner D14/486
D644,661 S 9/2011 Gardner et al.
D644,662 S 9/2011 Gardner et al.
8,067,709 B2 11/2011 Han et al.
8,136,425 B2 3/2012 Bostick
8,198,996 B2 6/2012 Golomb et al.
D686,223 S * 7/2013 Gardner D14/486
D687,845 S 8/2013 Lee
D687,851 S 8/2013 Sloo et al.
D688,680 S 8/2013 Fleischmann et al.
D698,819 S * 2/2014 Gardner D14/491
8,645,001 B2 * 2/2014 Basson G08G 1/167
701/1
D703,689 S * 4/2014 Kim D14/486
D709,521 S * 7/2014 Choi D14/491
8,783,132 B2 7/2014 Neumann et al.
D719,184 S 12/2014 Aoshima
D721,381 S 1/2015 Pereira
D722,072 S 2/2015 Sloo et al.
D738,910 S * 9/2015 Drozd D14/488
9,159,221 B1 * 10/2015 Stantchev B62D 1/06
D746,324 S 12/2015 Kim
D752,632 S 3/2016 Seo et al.
D753,704 S 4/2016 Paolantonio et al.
D762,702 S * 8/2016 Hoang D14/487
D764,499 S * 8/2016 Virk D14/485
D766,305 S 9/2016 Mochizuki
D770,472 S 11/2016 Lee et al.
D778,311 S * 2/2017 Denis D14/487
D801,386 S 10/2017 Xu
D806,729 S * 1/2018 Lisseman D14/486
2003/0121360 A1 7/2003 Hussy
2006/0070795 A1 4/2006 Meissner
2006/0236807 A1 10/2006 Yasuda
2008/0023253 A1 1/2008 Prost-Fin et al.
2008/0202282 A1 8/2008 Bassett et al.
2009/0189373 A1 7/2009 Schramm et al.
2009/0223321 A1 9/2009 Stefani
2010/0218641 A1 9/2010 Neumann et al.
2011/0153160 A1 6/2011 Hesseling et al.



2011/0187518	A1	8/2011	Strumolo et al.
2011/0198201	A1	8/2011	Chuang
2012/0267222	A1	10/2012	Gohng et al.
2013/0152721	A1	6/2013	Trendov et al.
2014/0109719	A1	4/2014	Lisseman et al.
2014/0111324	A1	4/2014	Lisseman et al.
2014/0111325	A1	4/2014	Lisseman et al.
2014/0244115	A1	8/2014	Sanma et al.
2014/0301097	A1	10/2014	Neumann et al.
2015/0251600	A1	9/2015	Mochizuki
2015/0253922	A1	9/2015	Goodlein
2016/0334876	A1*	11/2016	Park G06F 3/0487

FOREIGN PATENT DOCUMENTS

EP	0801373	10/1997
JP	2005/088792	4/2005
WO	1998/003365	1/1998
WO	2005/025936	3/2005
WO	2006/127835	11/2006
WO	2009/111098	9/2009
WO	2010/051090	5/2010
WO	2010/087931	8/2010

OTHER PUBLICATIONS

“BMW M Performance Steering Wheel” Nov. 2, 2012, YouTube, site visited Jun. 29, 2018: <https://www.youtube.com/watch?v=UFLvCsHBjBl> (Year: 2012).*

“2015 Lamborghini Huracan LP610-4 Exterior Interior, Dashboard, Walkaround Start Up Engine Sound Revs” Jun. 2, 2015, YouTube, site visited Jul. 17, 2020: <https://www.youtube.com/watch?v=Qf1KIXSClrw> (Year: 2015).*

“Exclusive: F1 2014 Steering Wheel Display” Feb. 4, 2014, YouTube, site visited Jul. 17, 2020: <https://www.youtube.com/watch?v=HsOQWbJZ9mY> (Year: 2014).*

U.S. Appl. No. 14/061,397, filed Oct. 23, 2013, issued U.S. Pat. No. 9,233,638.

U.S. Appl. No. 14/061,383, filed Oct. 23, 2013, issued U.S. Pat. No. 9,308,856.

U.S. Appl. No. 14/061,408, filed Oct. 23, 2013, issued U.S. Pat. No. 9,308,857.

U.S. Appl. No. 14/806,325, filed Jul. 22, 2015, Publication No. 2016-0025281.

U.S. Appl. No. 14/635,547, filed Mar. 2, 2015, issued U.S. Pat. No. 9,580,012.

Design U.S. Appl. No. 29/524,993, filed Apr. 24, 2015.

Non-Final Office Action issued in U.S. Appl. No. 29/524,993, dated Nov. 2, 2016.

Design U.S. Appl. No. 29/524,998, filed Apr. 24, 2015.

Non-Final Office Action issued in U.S. Appl. No. 29/524,998, dated Oct. 31, 2016.

Design U.S. Appl. No. 29/525,000, filed Apr. 24, 2015.

Non-Final Office Action issued in U.S. Appl. No. 29/525,000, dated Nov. 1, 2016.

Final Office Action issued in U.S. Appl. No. 29/525,000, dated May 5, 2017.

US Patent Application Publication No. 2016-0311366, filed Apr. 25, 2016.

CSW Steering Wheel with Driving Instructions, NaviGadget [online], published Apr. 8, 2008 [retrieved Oct. 24, 2016], retrieved from the internet <URL: <http://www.navigadget.com/index.php/2008/04/08/csw-steering-wheel-with-driving-instructions>>.

* cited by examiner

Primary Examiner — Jack Reickel

(74) *Attorney, Agent, or Firm* — Meunier Carlin & Curfman LLC

(57) **CLAIM**

The ornamental design for a steering wheel display screen with graphical user interface, as shown and described.

DESCRIPTION

FIG. 1 is front view of a steering wheel display screen with graphical user interface showing a first image in the sequence showing our new design.

FIG. 2 is a second image thereof.

FIG. 3 is a third image thereof.

FIG. 4 is a fourth image thereof.

FIG. 5 is front view of a steering wheel display screen with graphical user interface showing a first image in the sequence showing our new design.

FIG. 6 is a second image thereof.

FIG. 7 is a third image thereof.

FIG. 8 is a fourth image thereof.

FIG. 9 is front view of a steering wheel display screen with graphical user interface showing a first image in the sequence showing our new design.

FIG. 10 is a second image thereof.

FIG. 11 is a third image thereof.

FIG. 12 is a fourth image thereof.

FIG. 13 is front view of a steering wheel display screen with graphical user interface showing a first image in the sequence showing our new design.

FIG. 14 is a second image thereof.

FIG. 15 is a third image thereof.

FIG. 16 is a fourth image thereof.

FIG. 17 is front view of a steering wheel display screen with graphical user interface showing a first image in the sequence showing our new design.

FIG. 18 is a second image thereof.

FIG. 19 is a third image thereof.

FIG. 20 is a fourth image thereof.

FIG. 21 is front view of a steering wheel display screen with graphical user interface showing a first image in the sequence showing our new design.

FIG. 22 is a second image thereof.

FIG. 23 is a third image thereof; and,

FIG. 24 is a fourth image thereof.

The broken lines showing a display screen is included for the purpose of illustrating portions of the article and forms no part of the claimed design. The broken line showing of a vehicle steering wheel is included for the purpose of illustrating environmental structure and forms no part of the claimed design. The appearance of the animated images sequentially transitions between the images of FIGS. 1-4, FIGS. 5-8, FIGS. 9-12, FIGS. 13-16, FIGS. 17-20, and FIGS. 21-24. The process or period in which one image transitions to another forms no part of the claimed design.

1 Claim, 24 Drawing Sheets

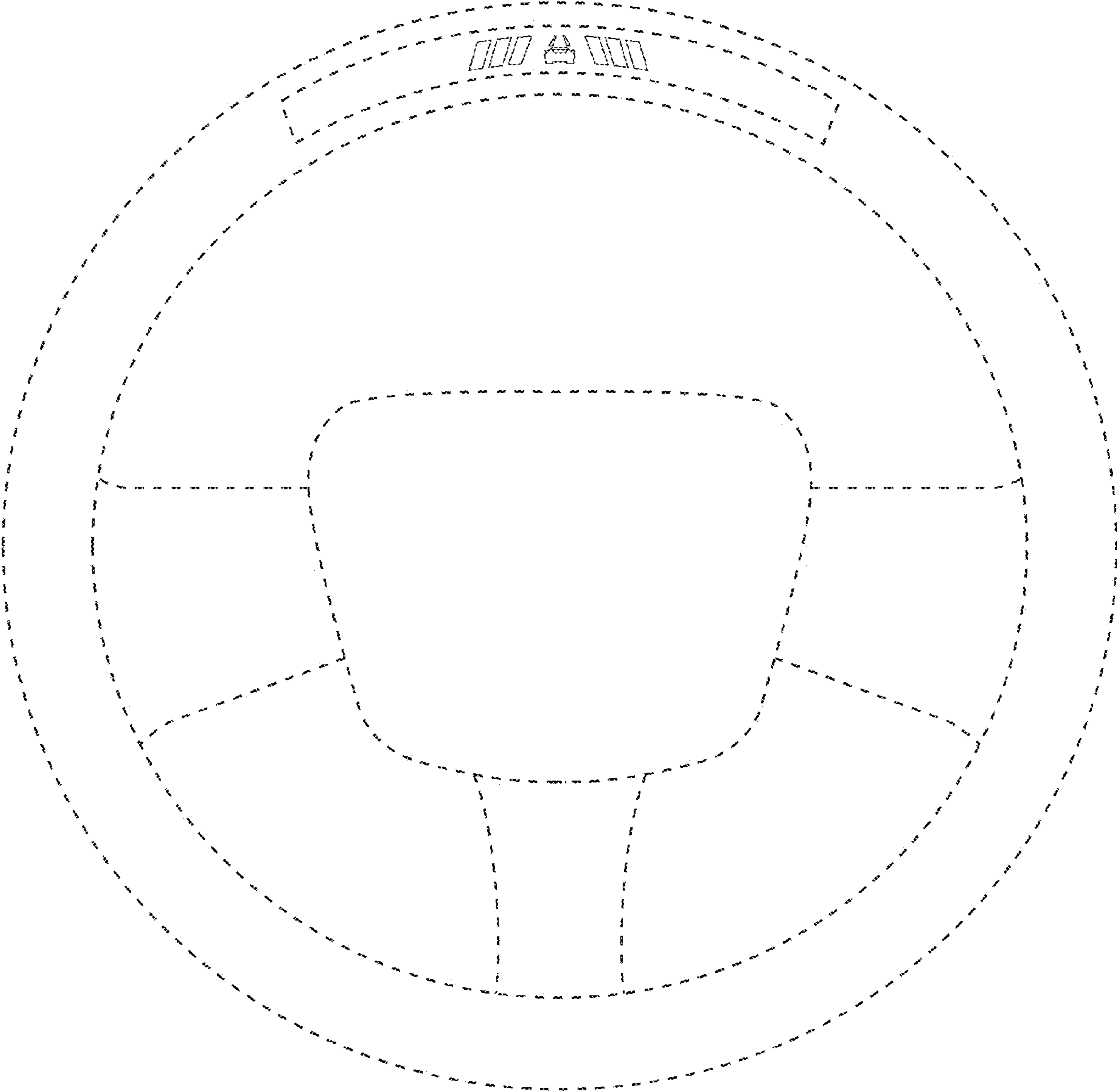


FIG. 1

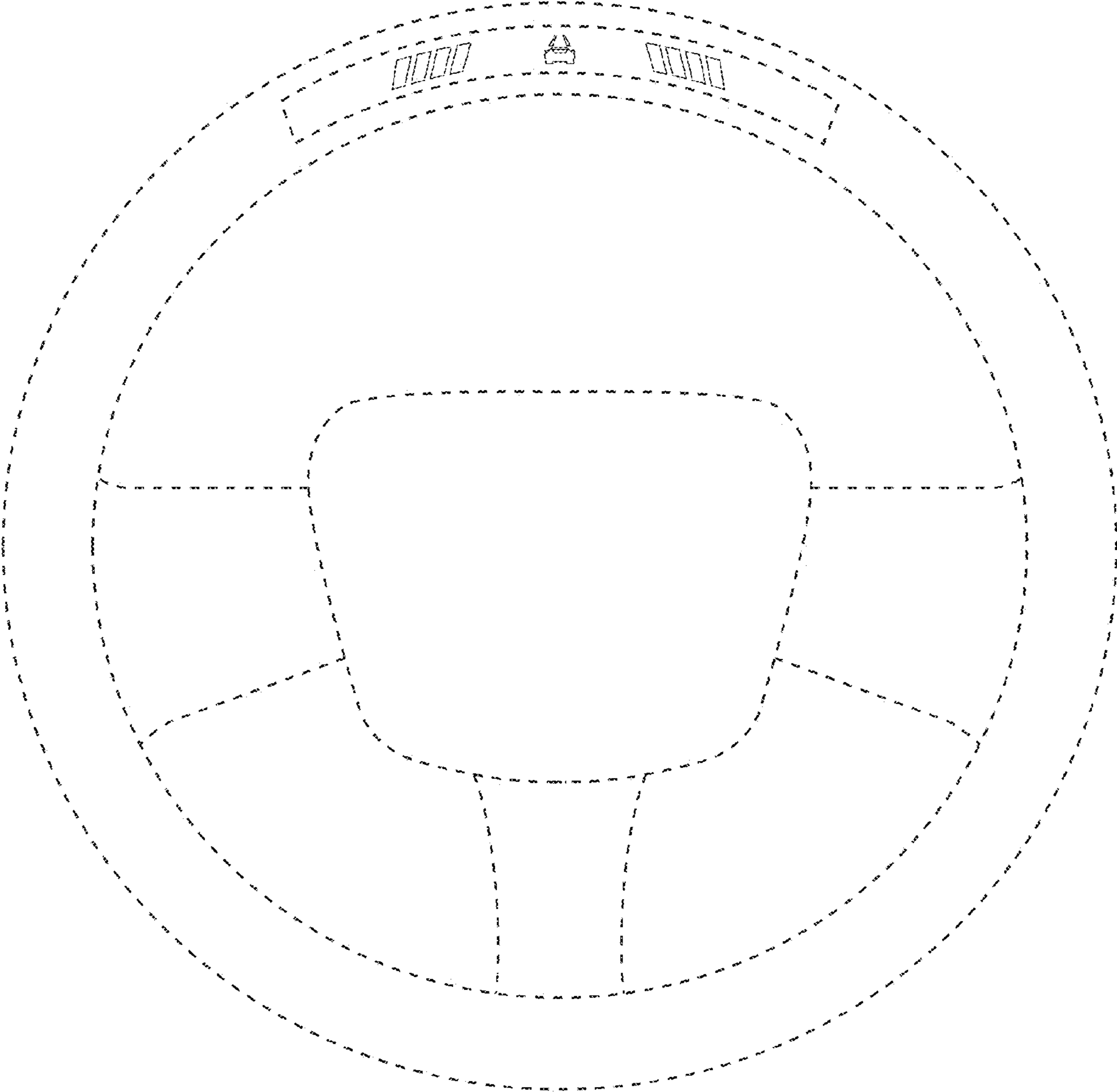


FIG. 2

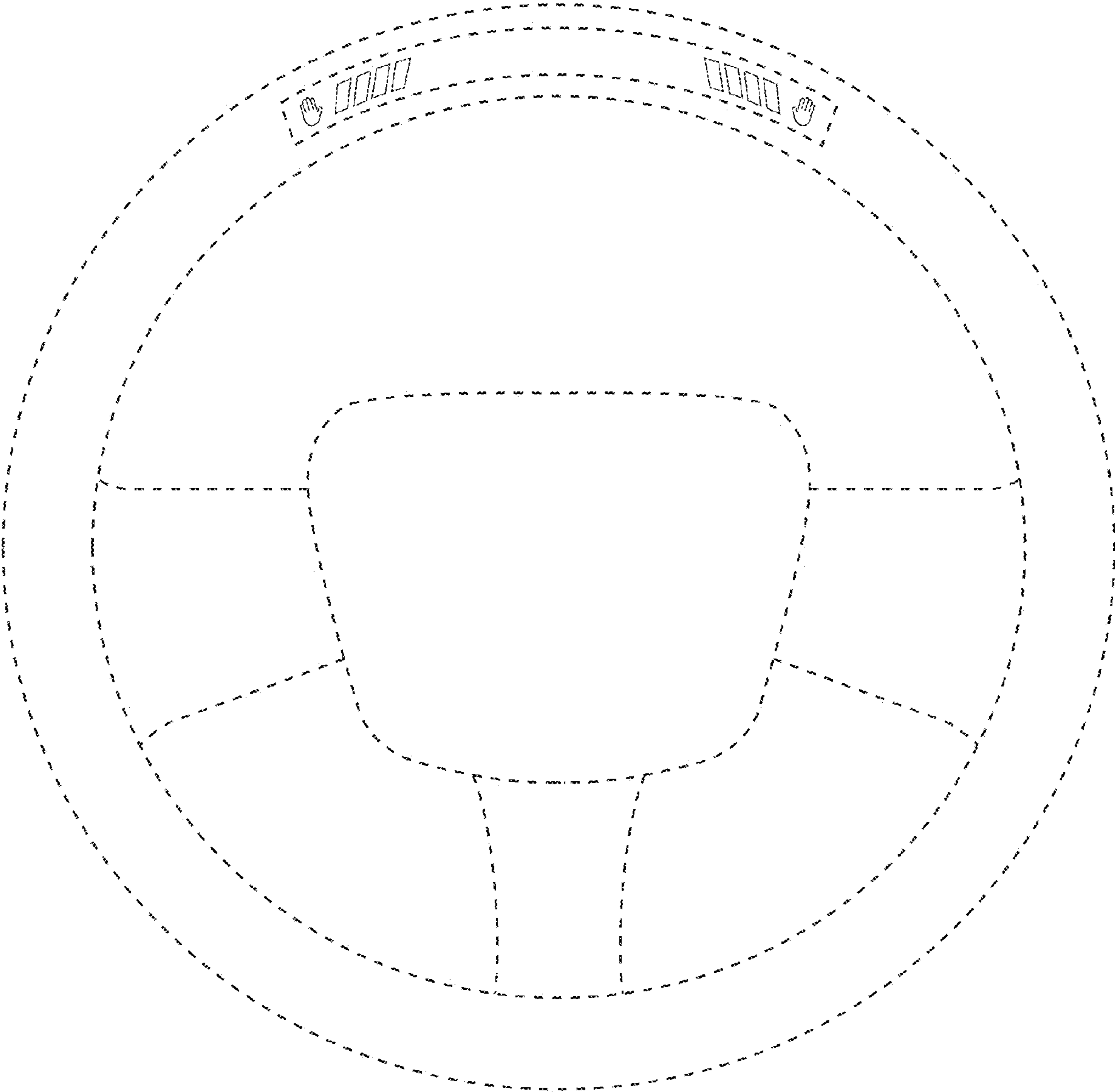


FIG. 3

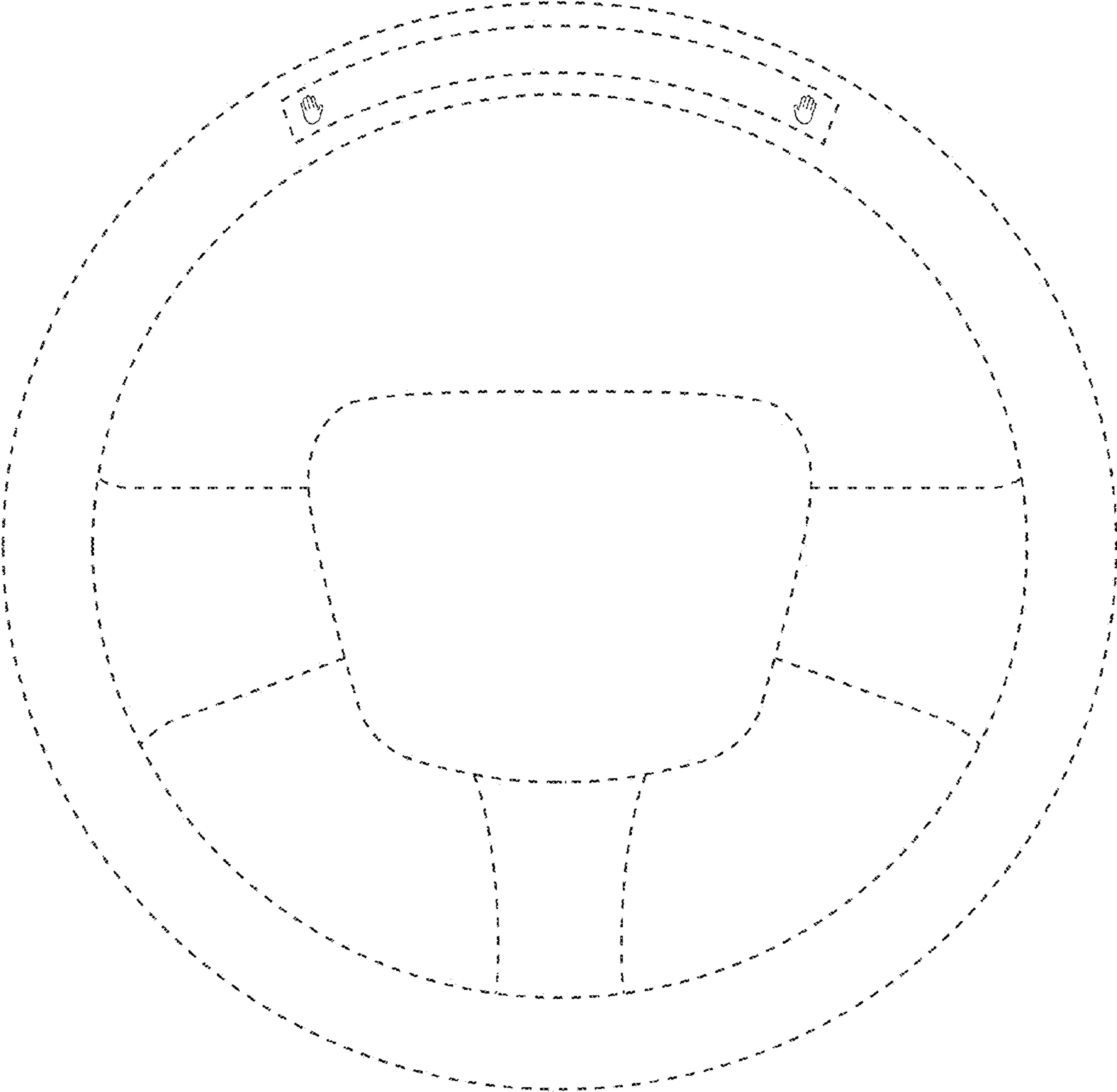


FIG. 4

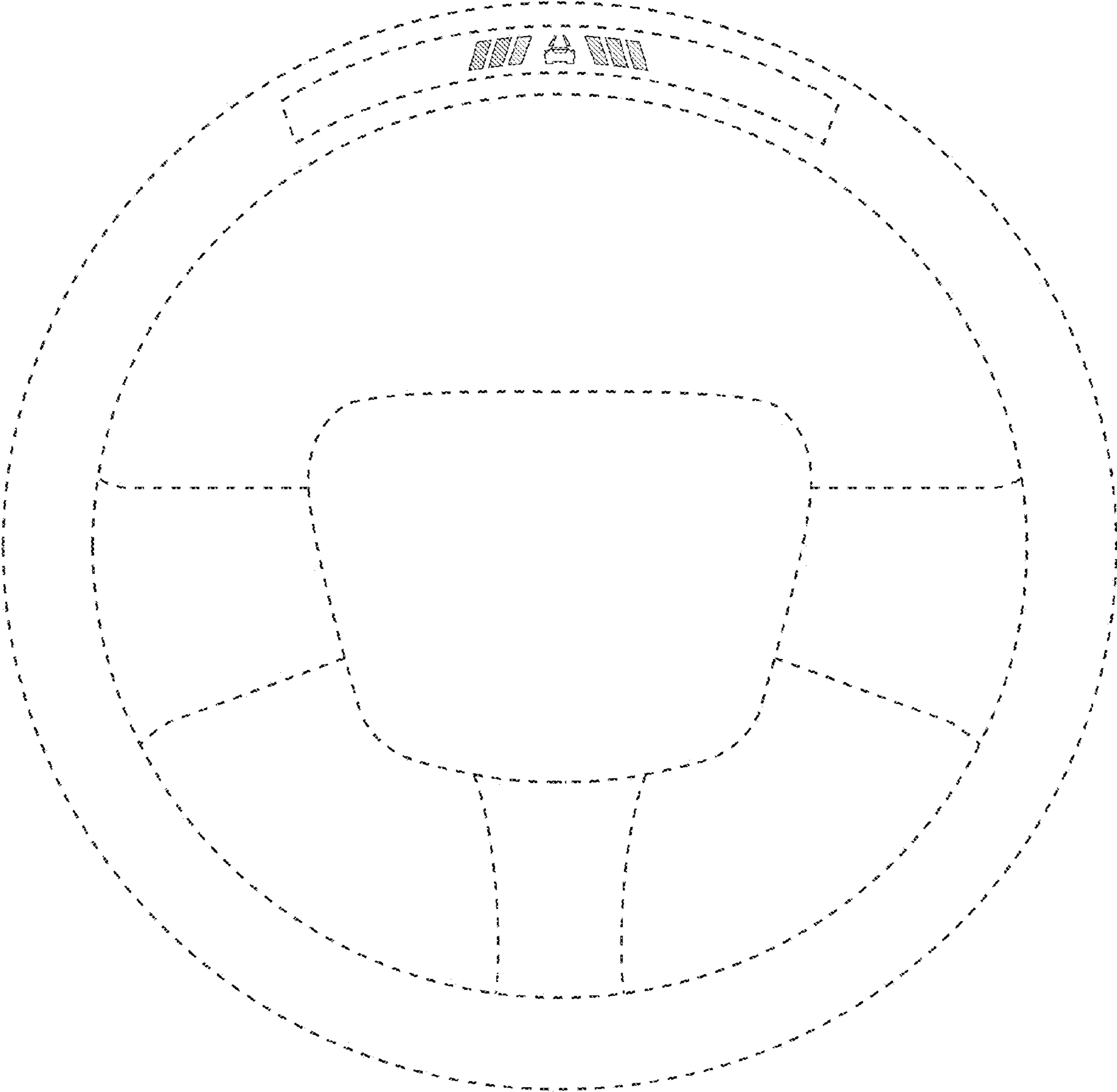


FIG. 5

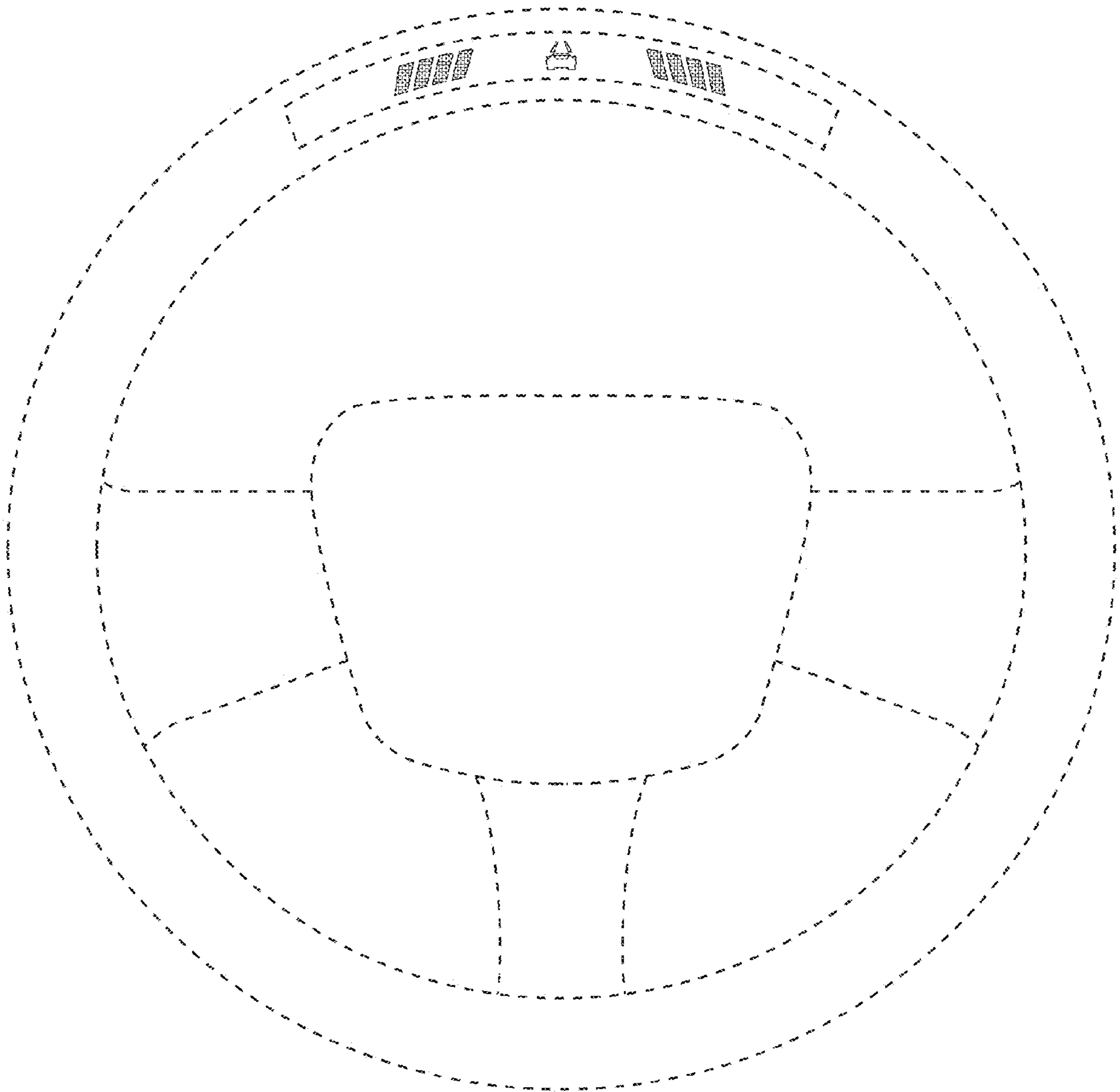


FIG. 6

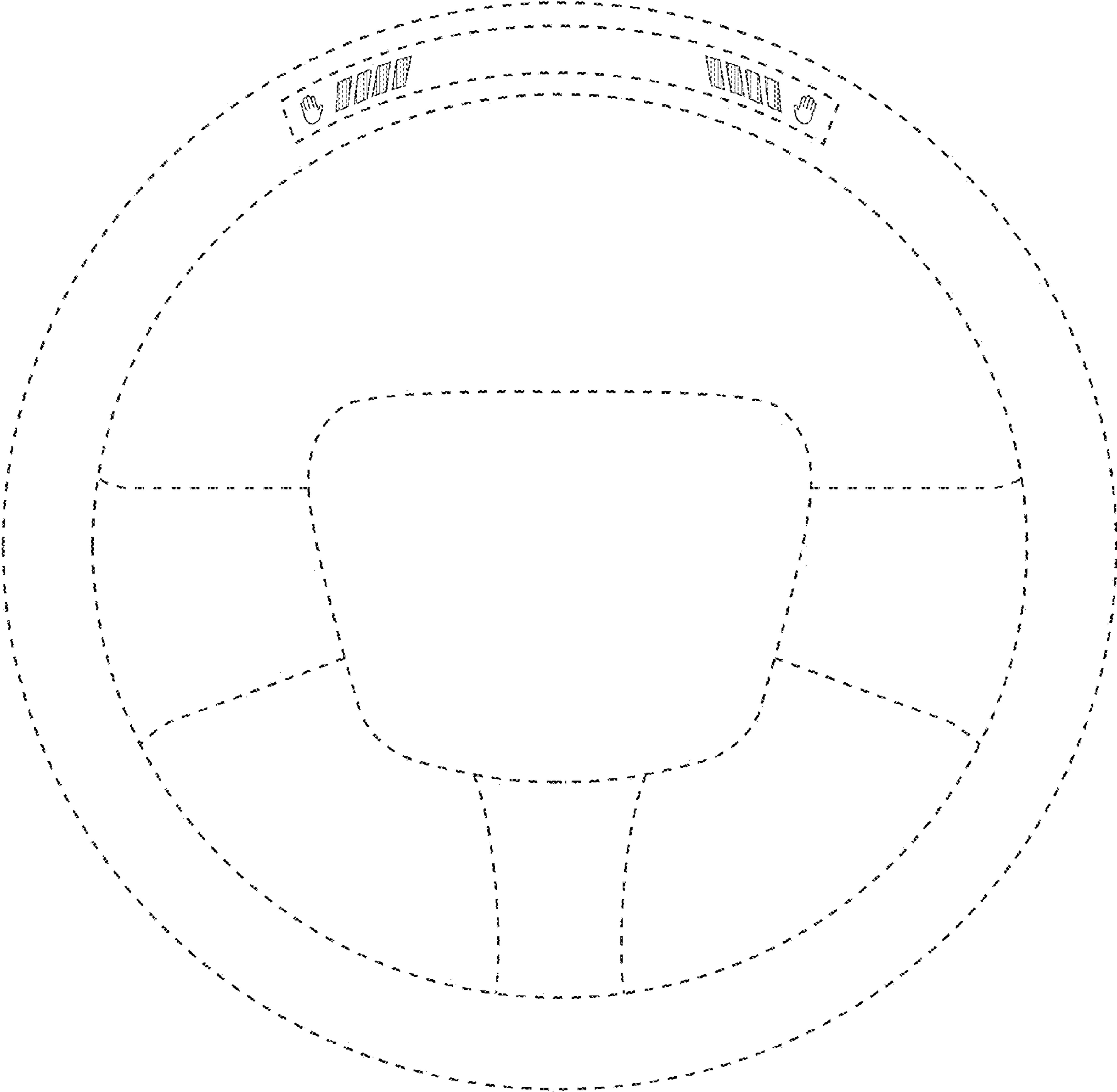


FIG. 7

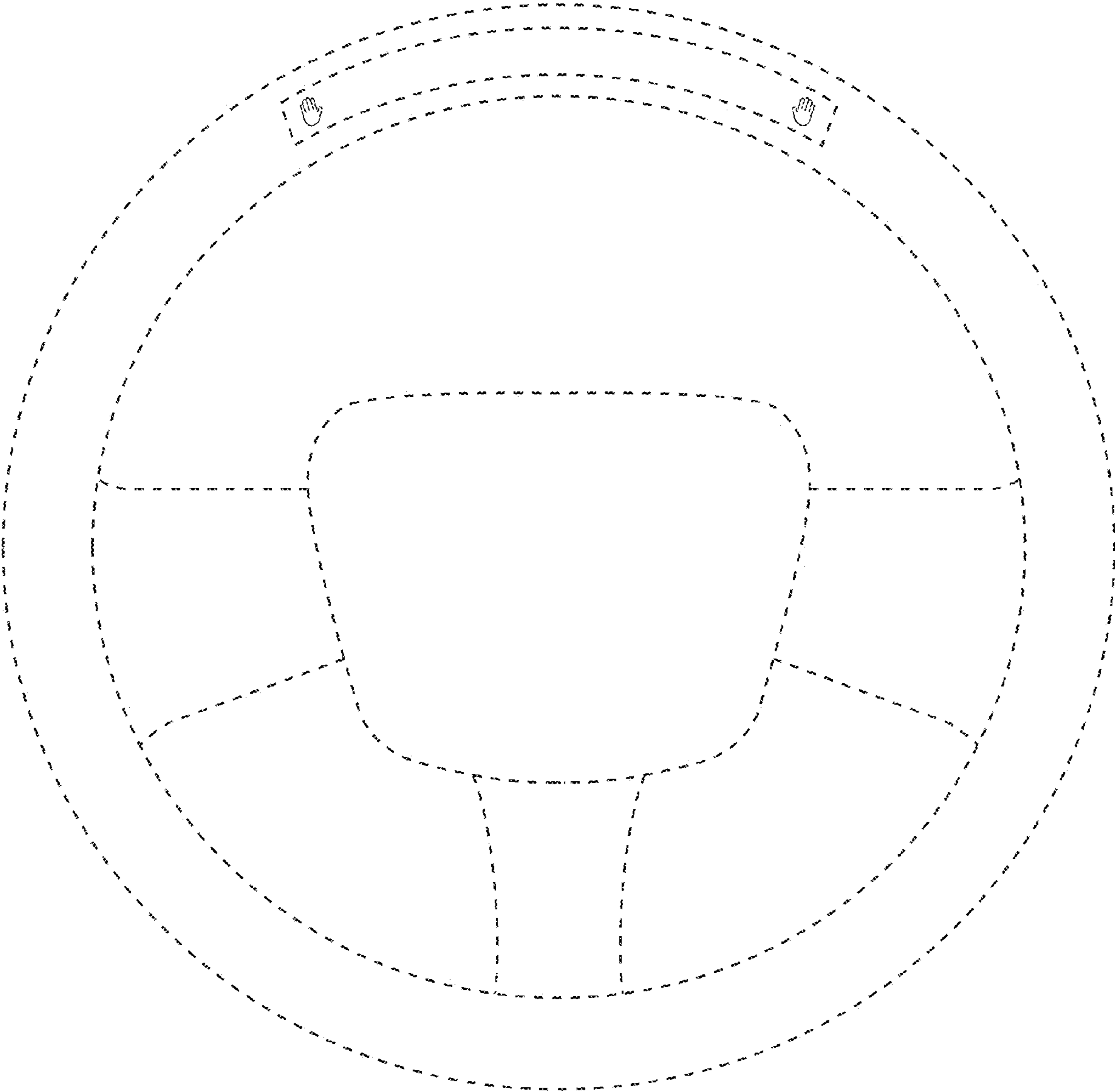


FIG. 8

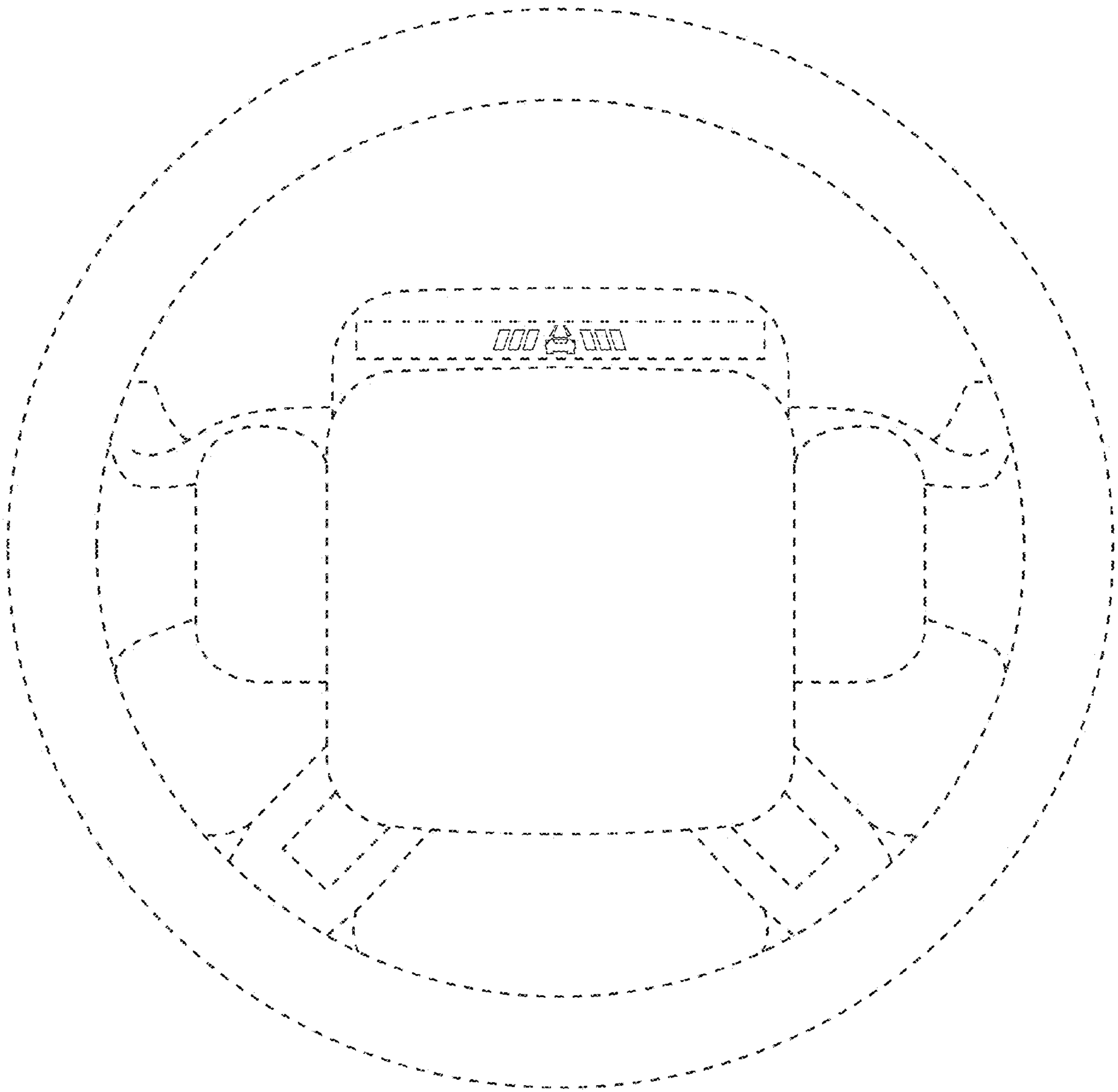


FIG. 9

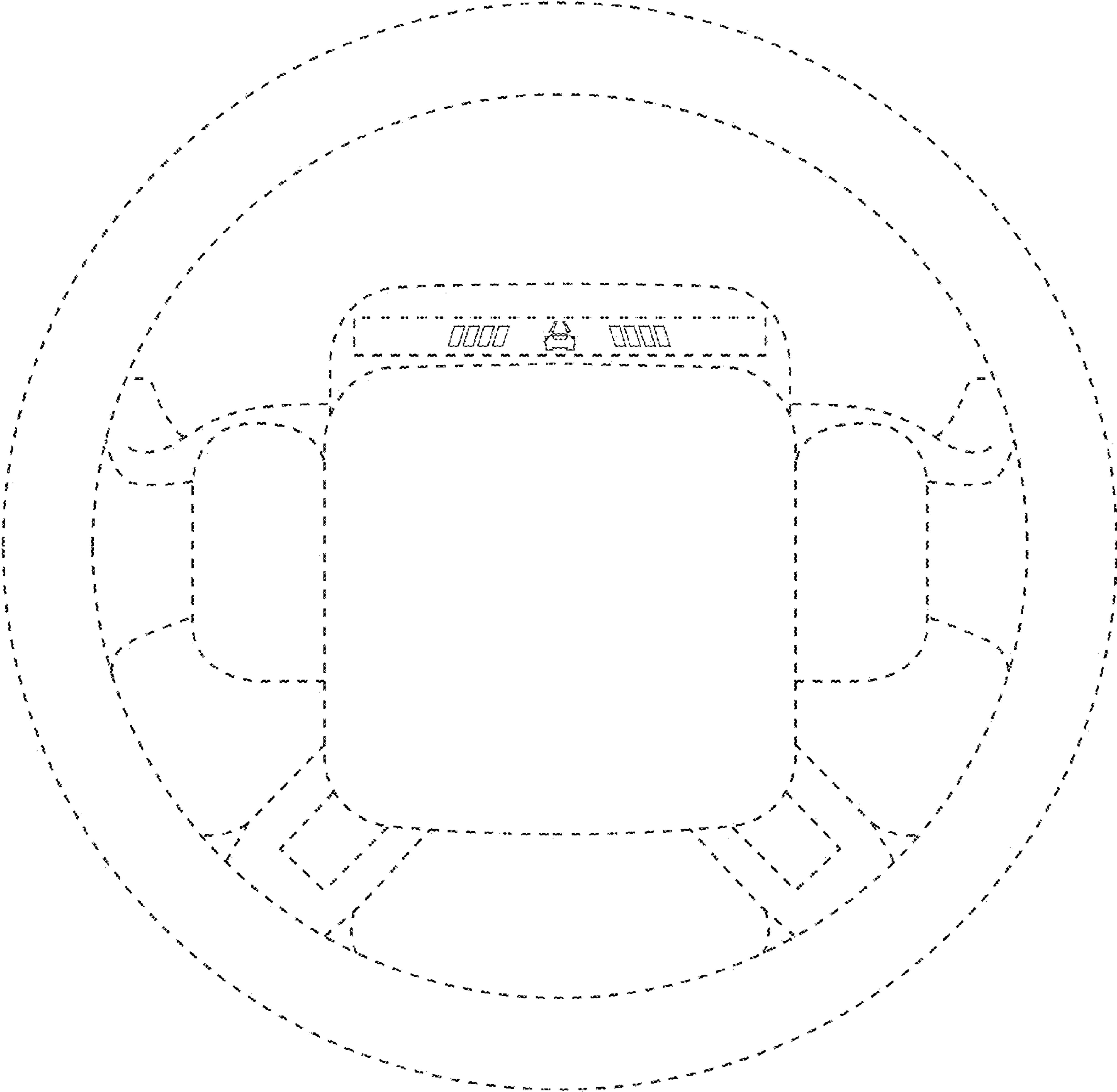


FIG. 10

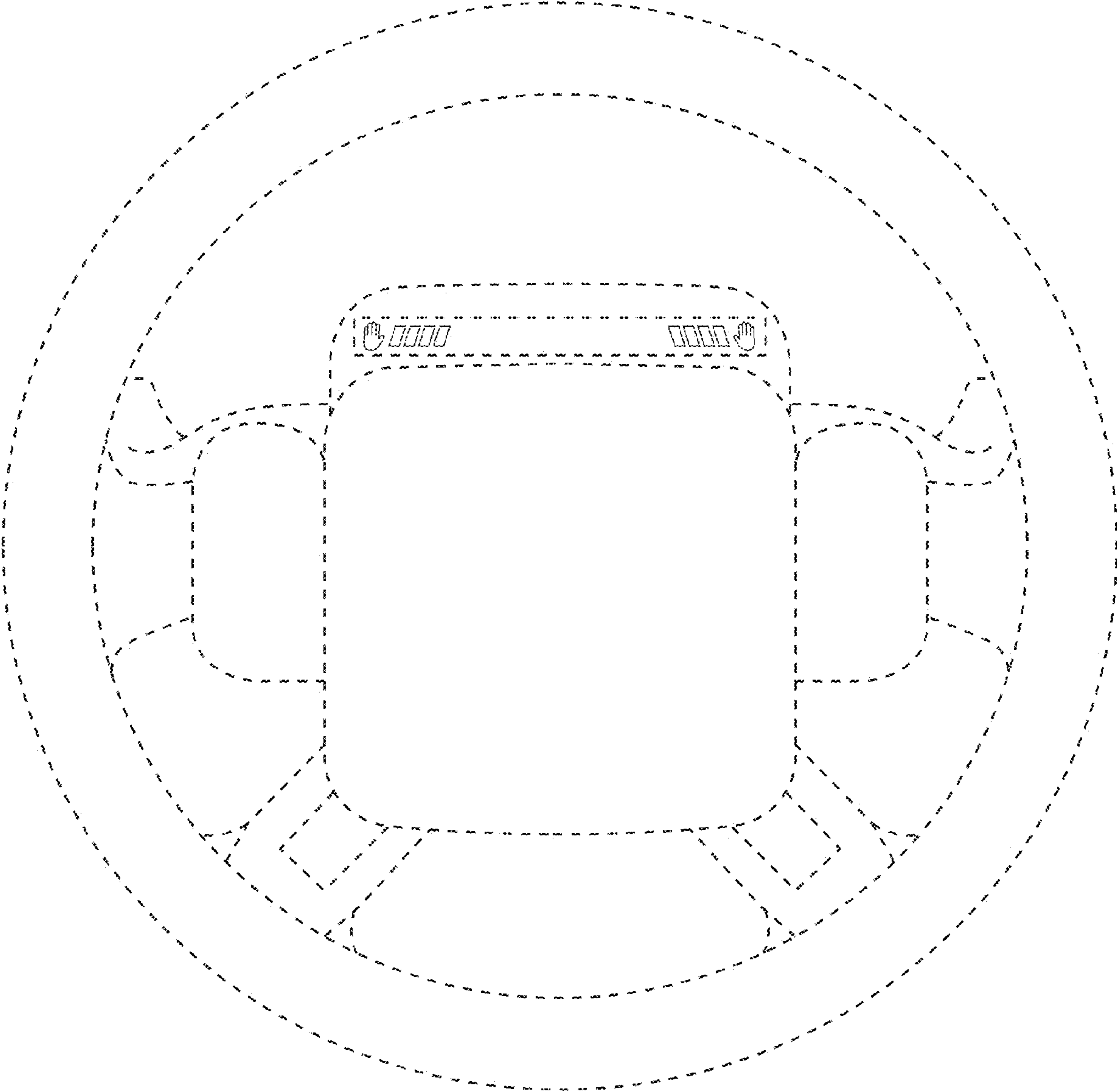


FIG. 11

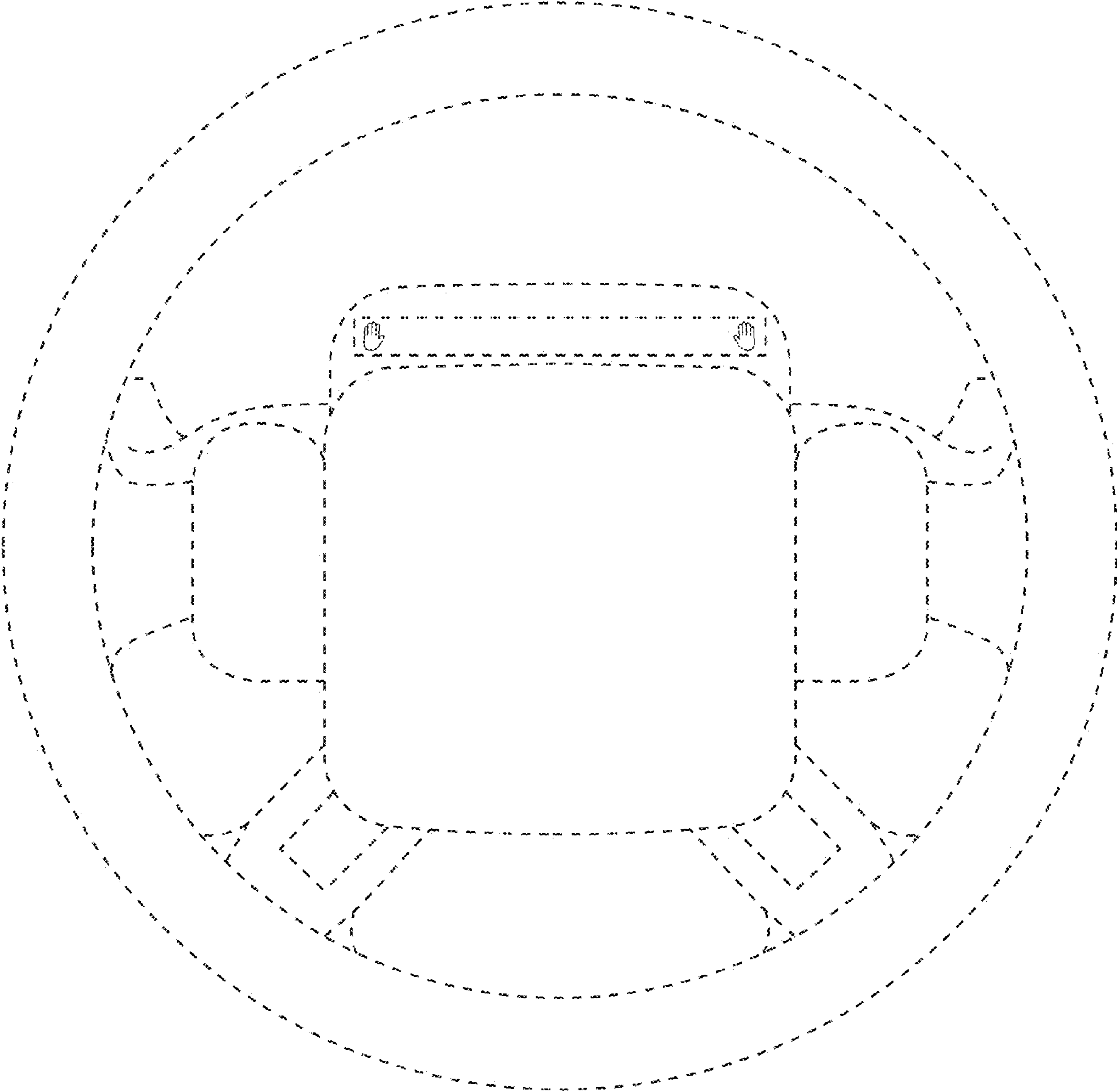


FIG. 12

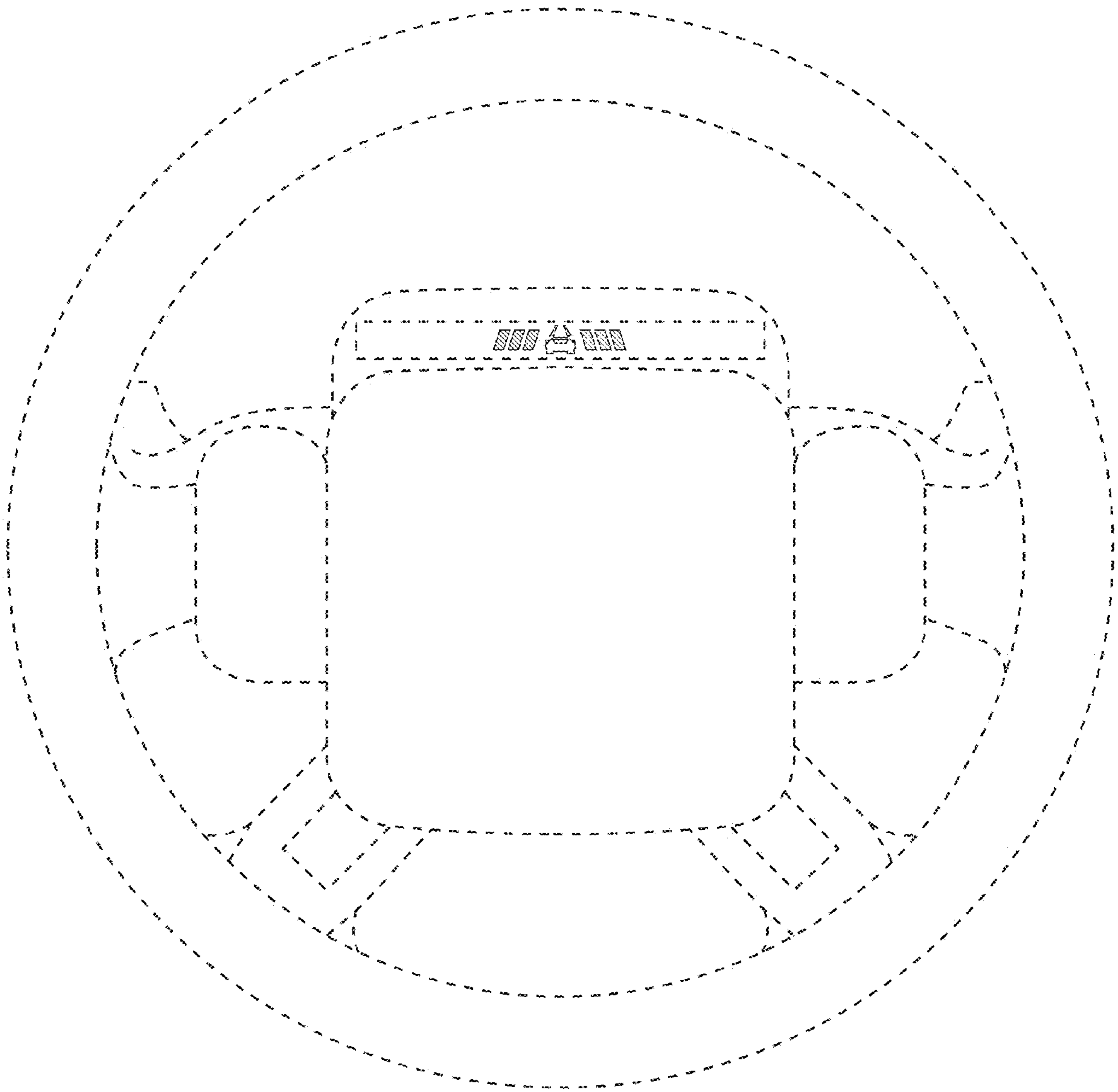


FIG. 13

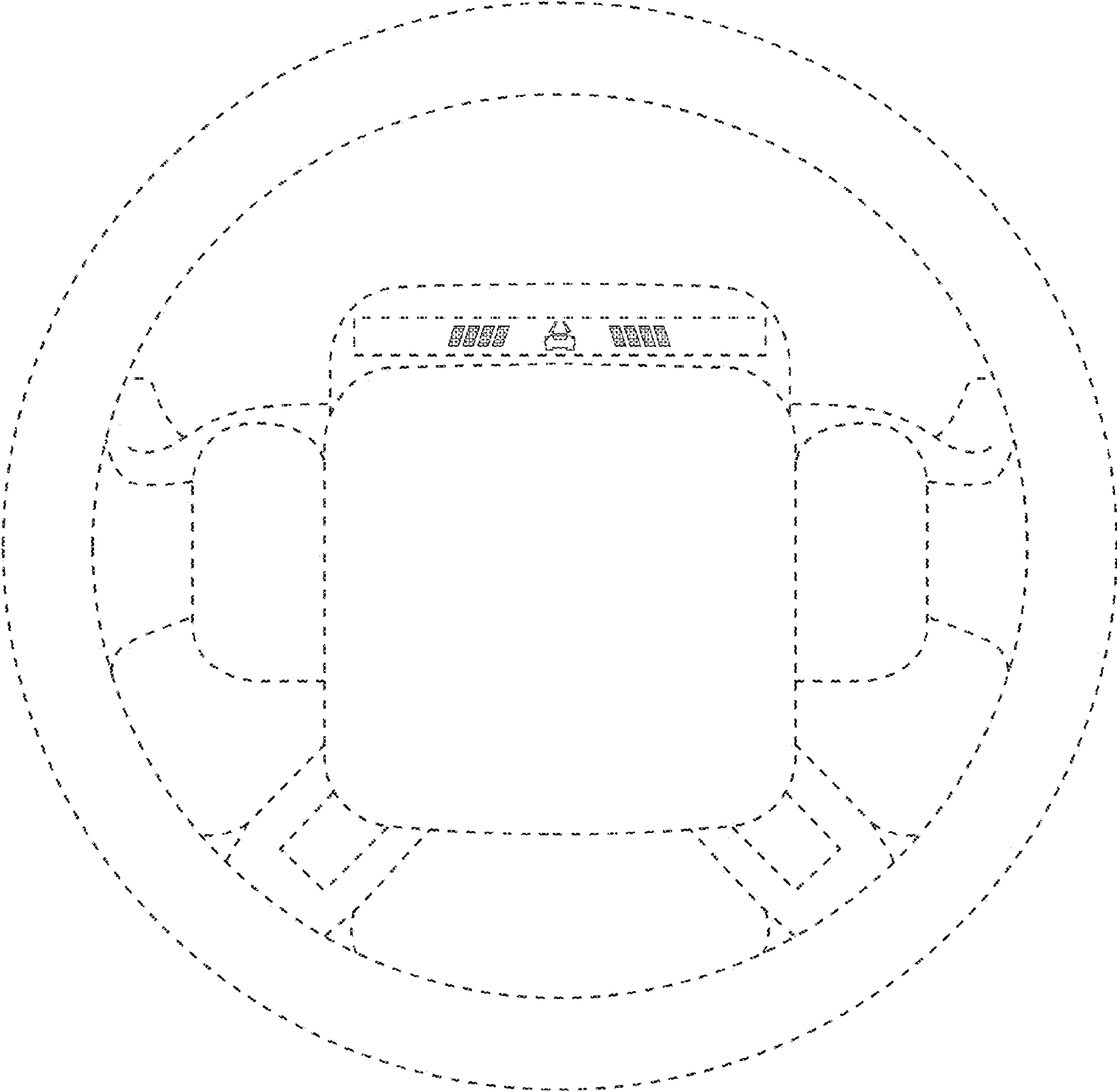


FIG. 14

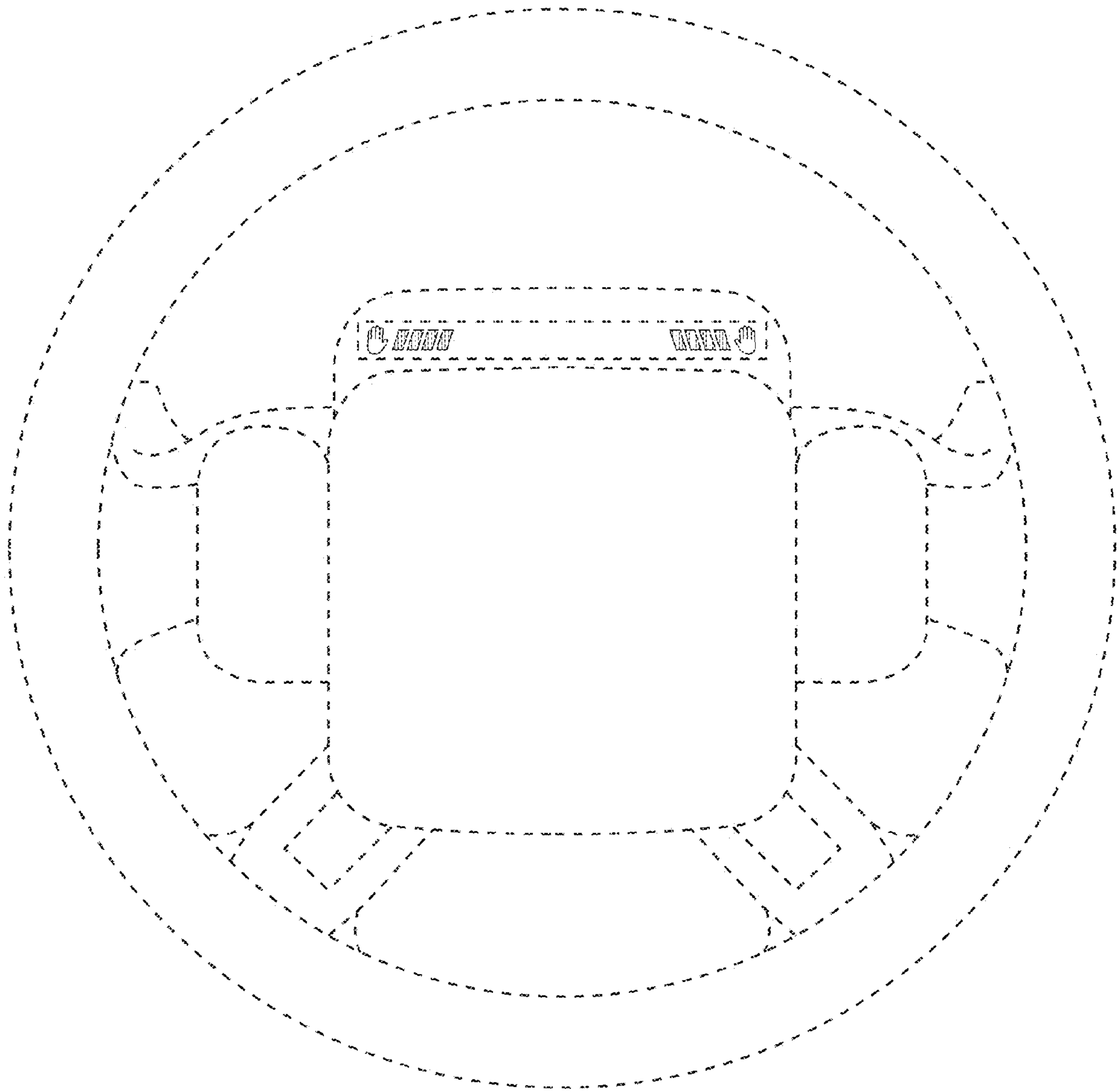


FIG. 15

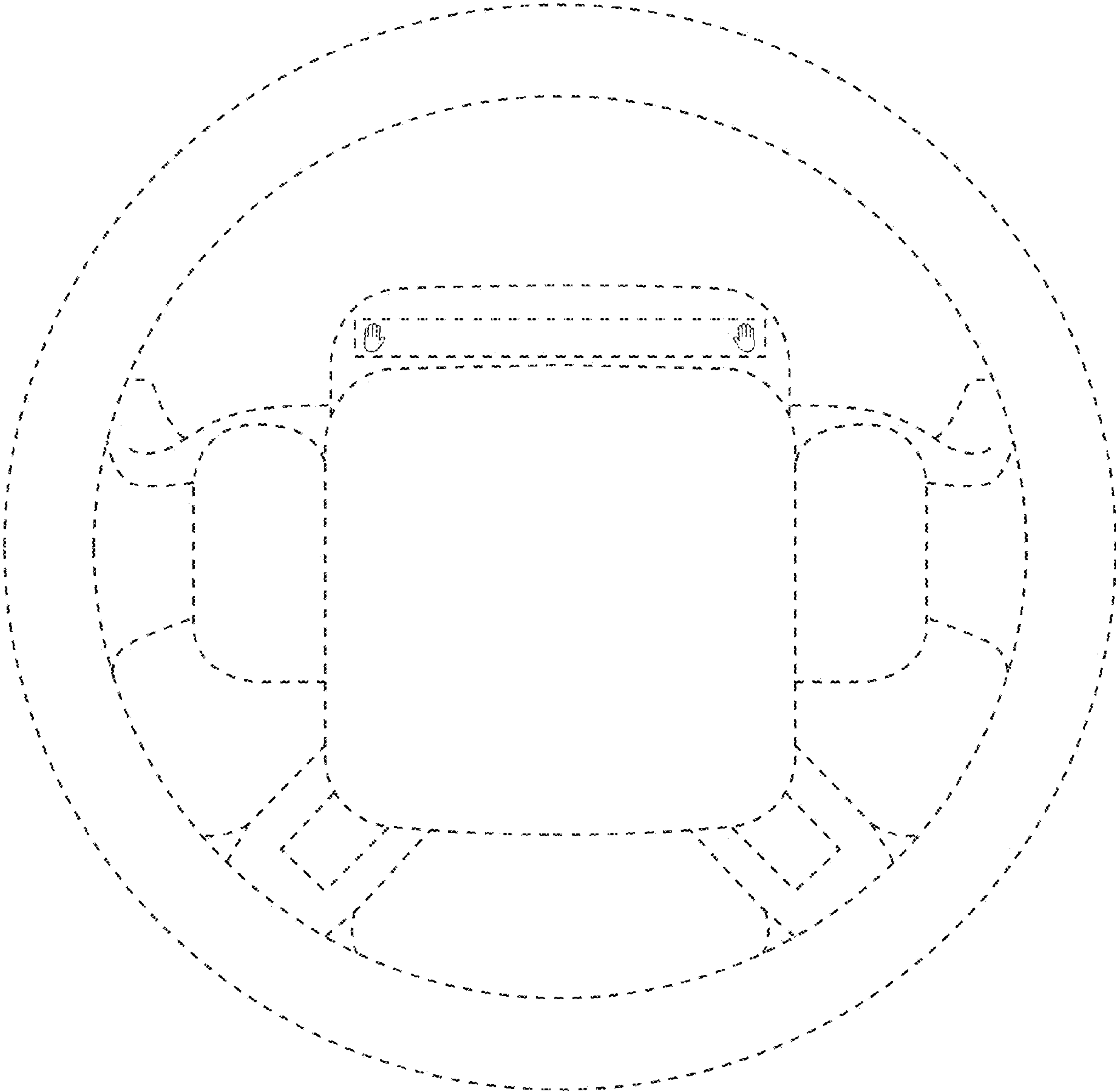


FIG. 16

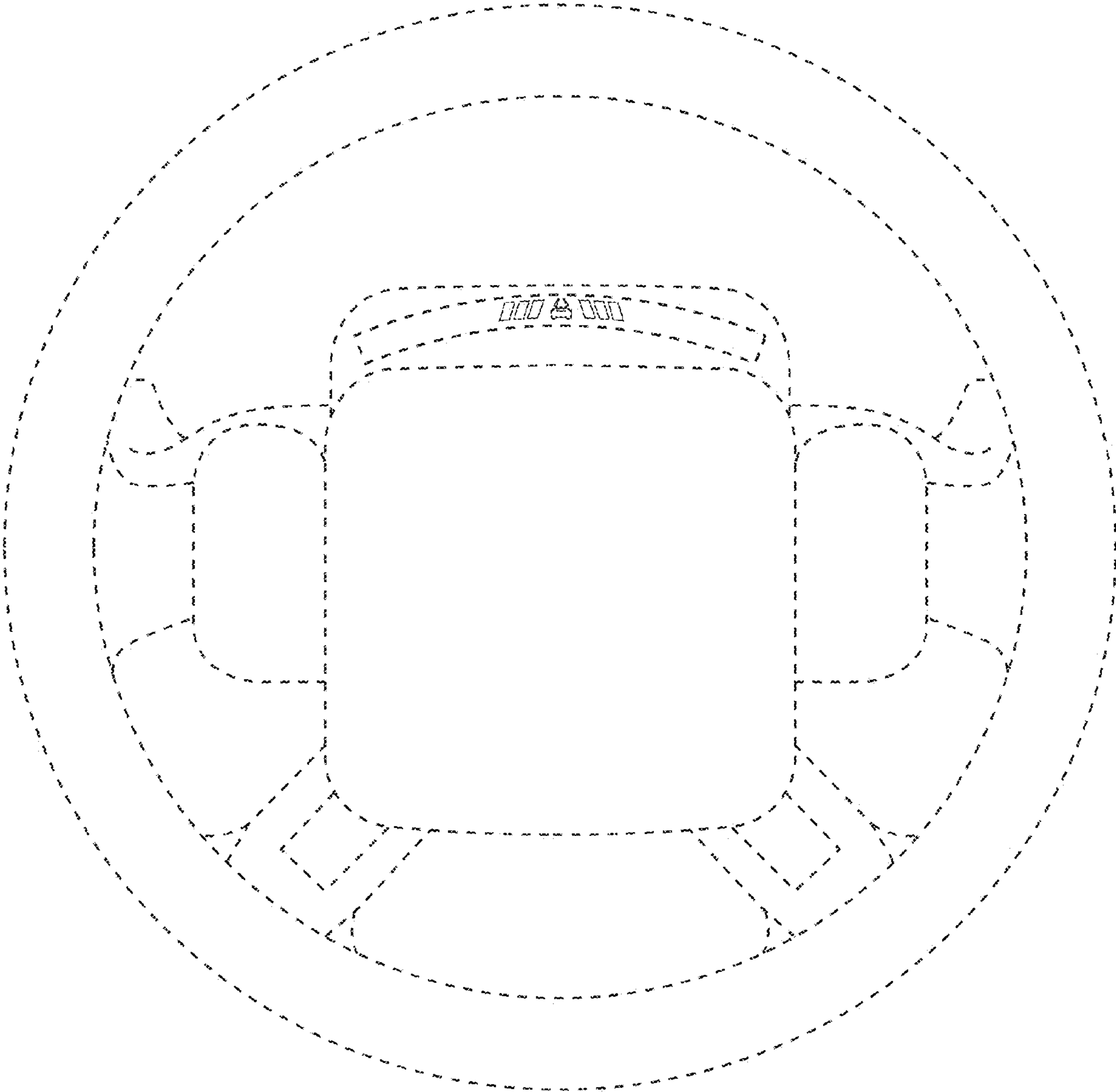


FIG. 17

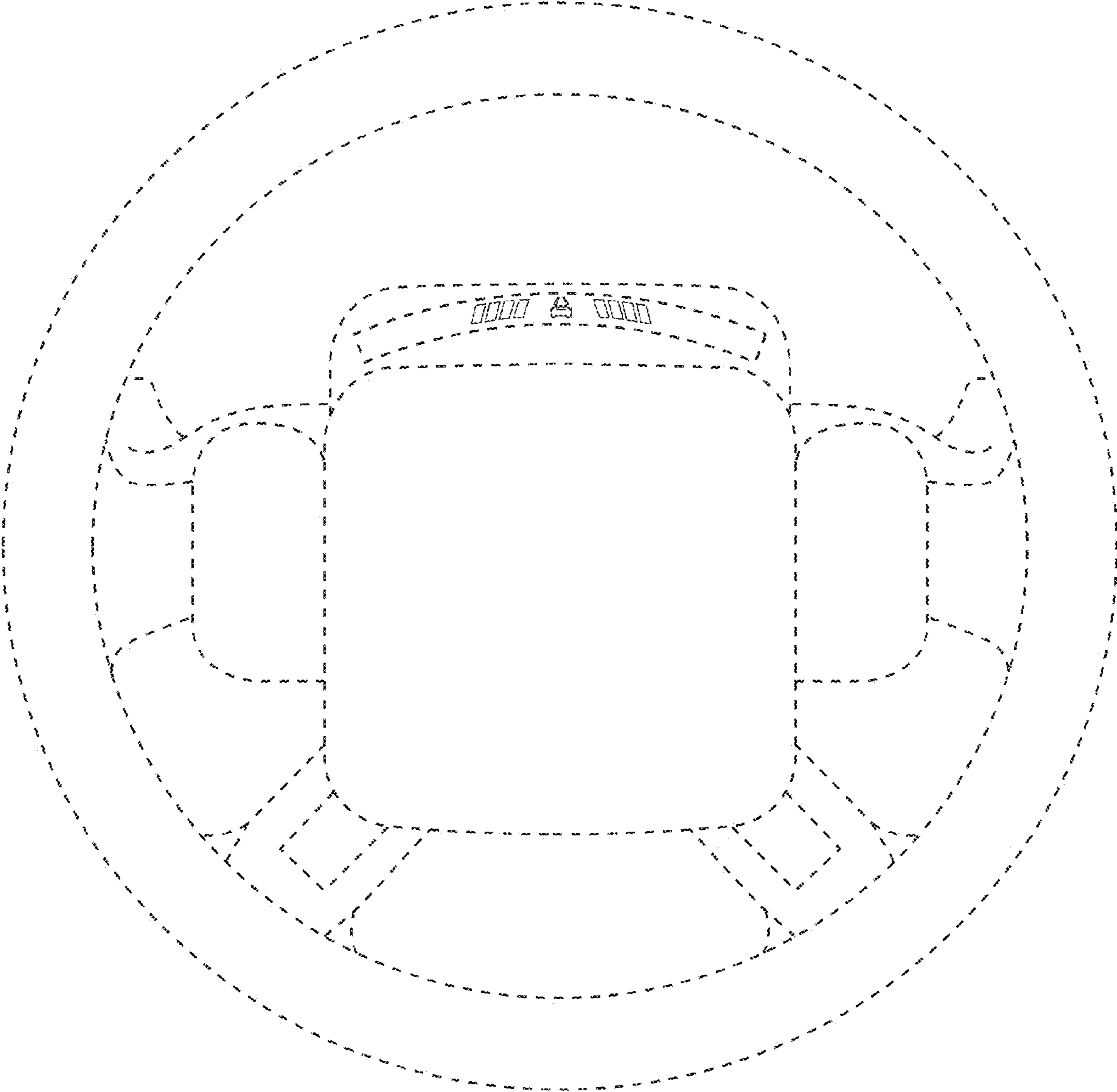


FIG. 18

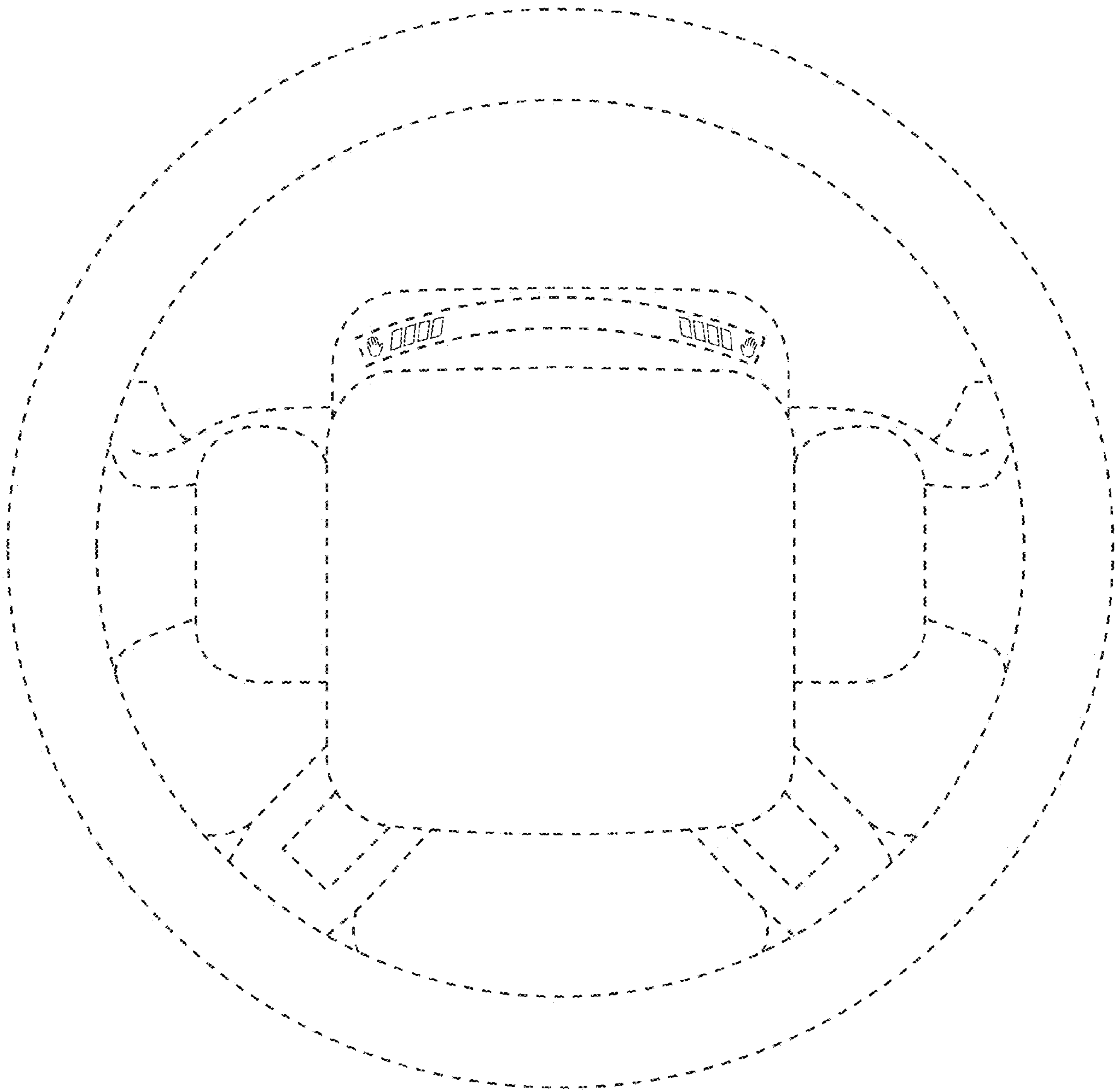


FIG. 19

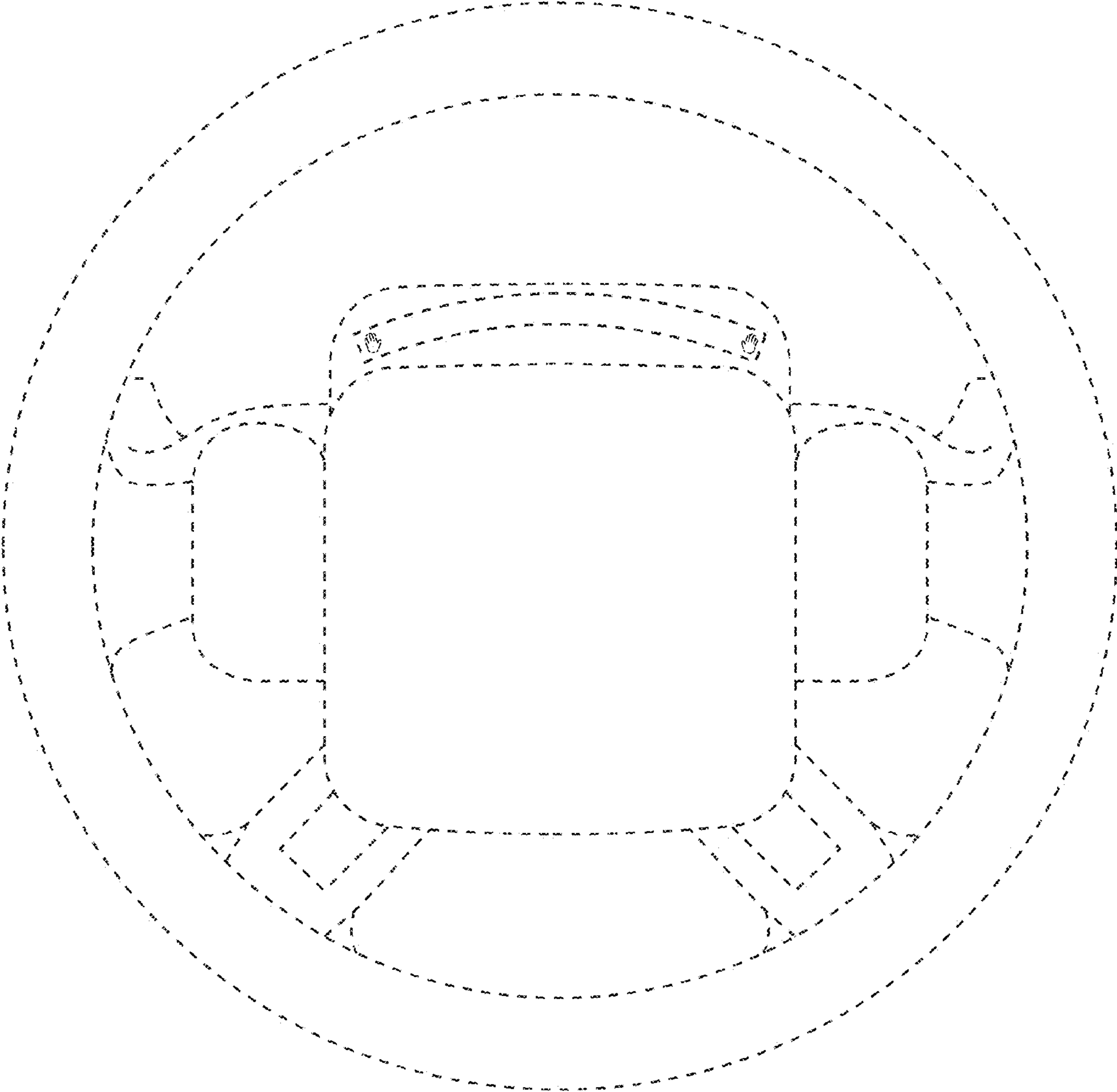


FIG. 20

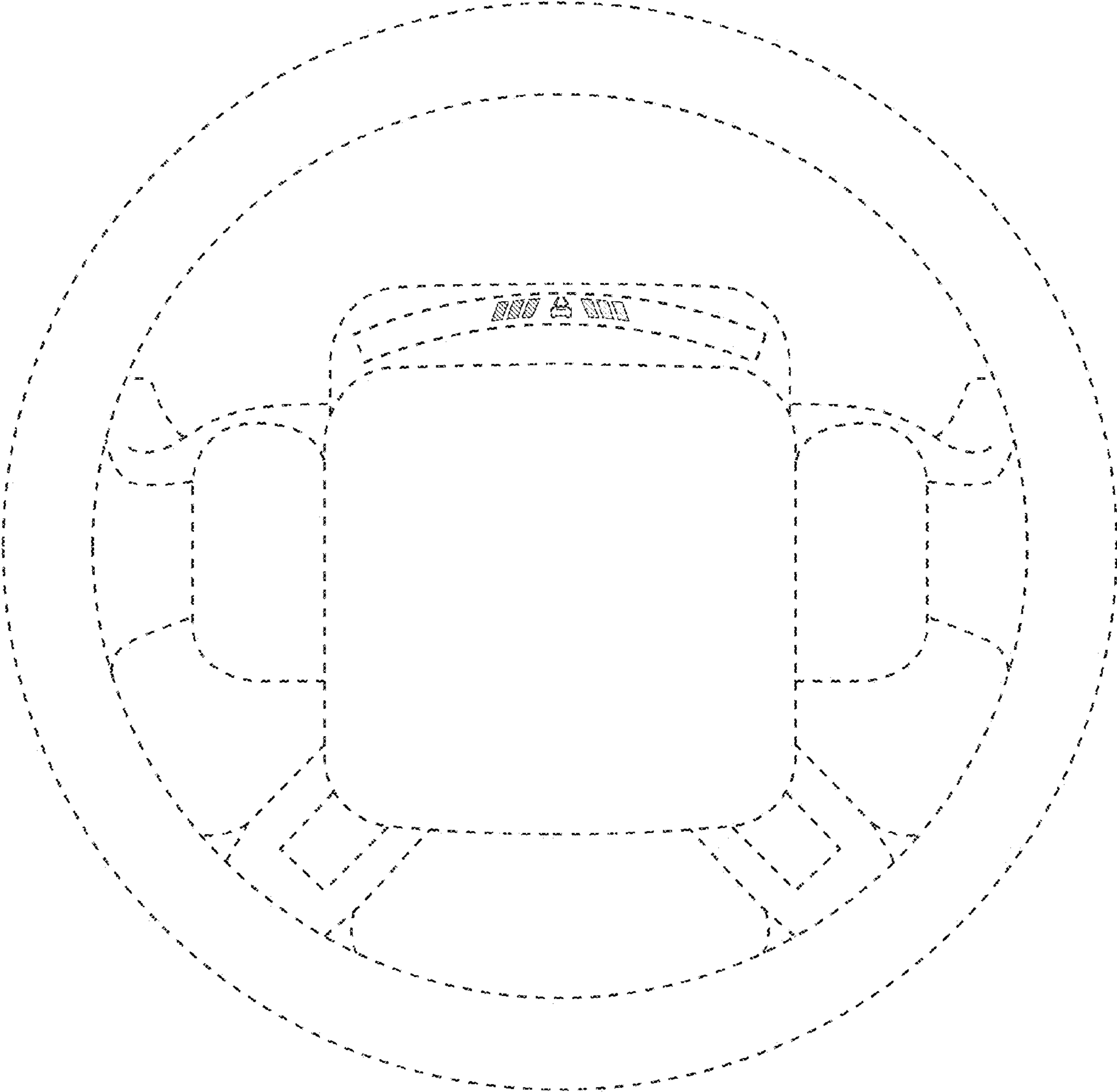


FIG. 21

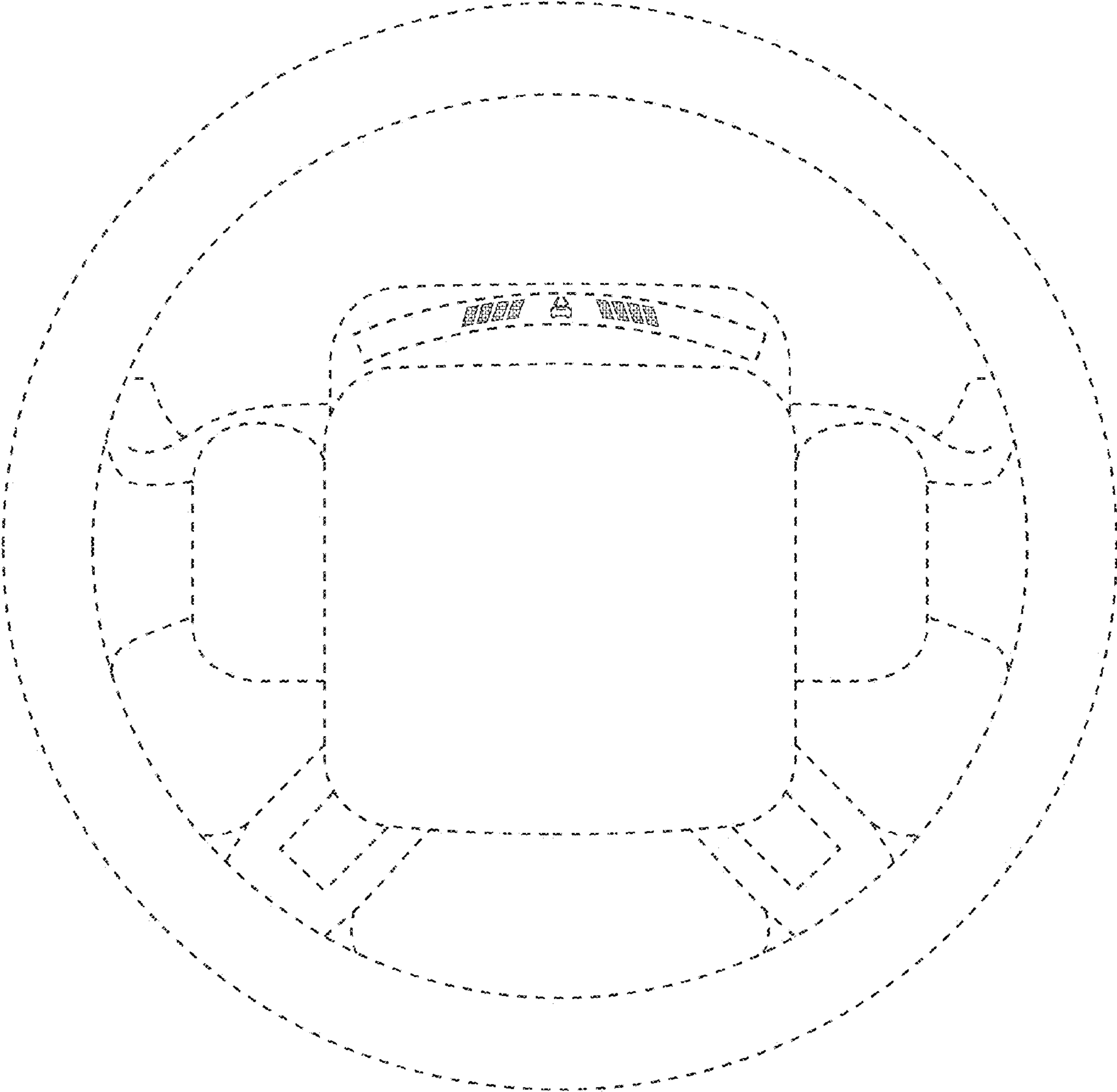


FIG. 22

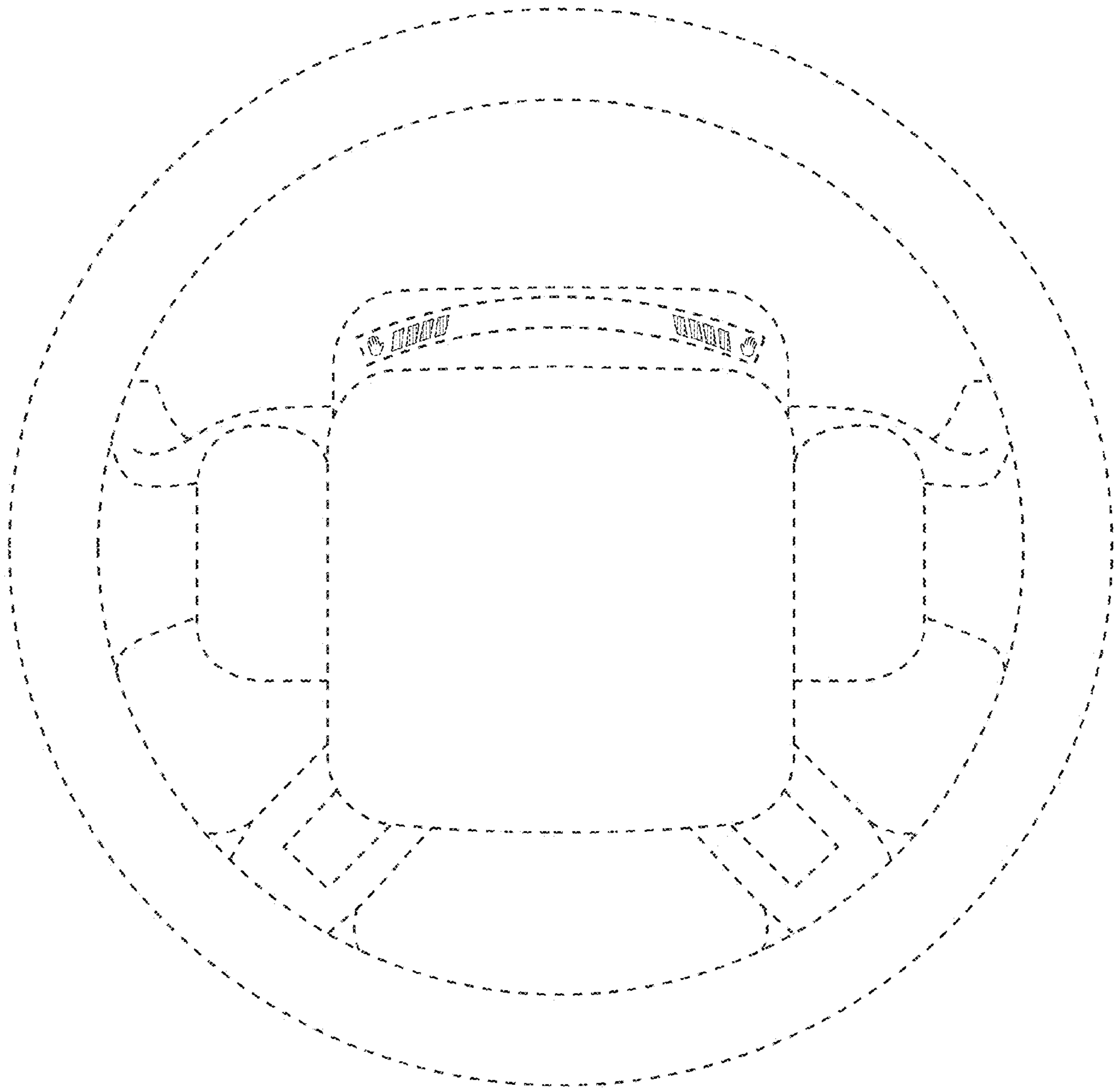


FIG. 23

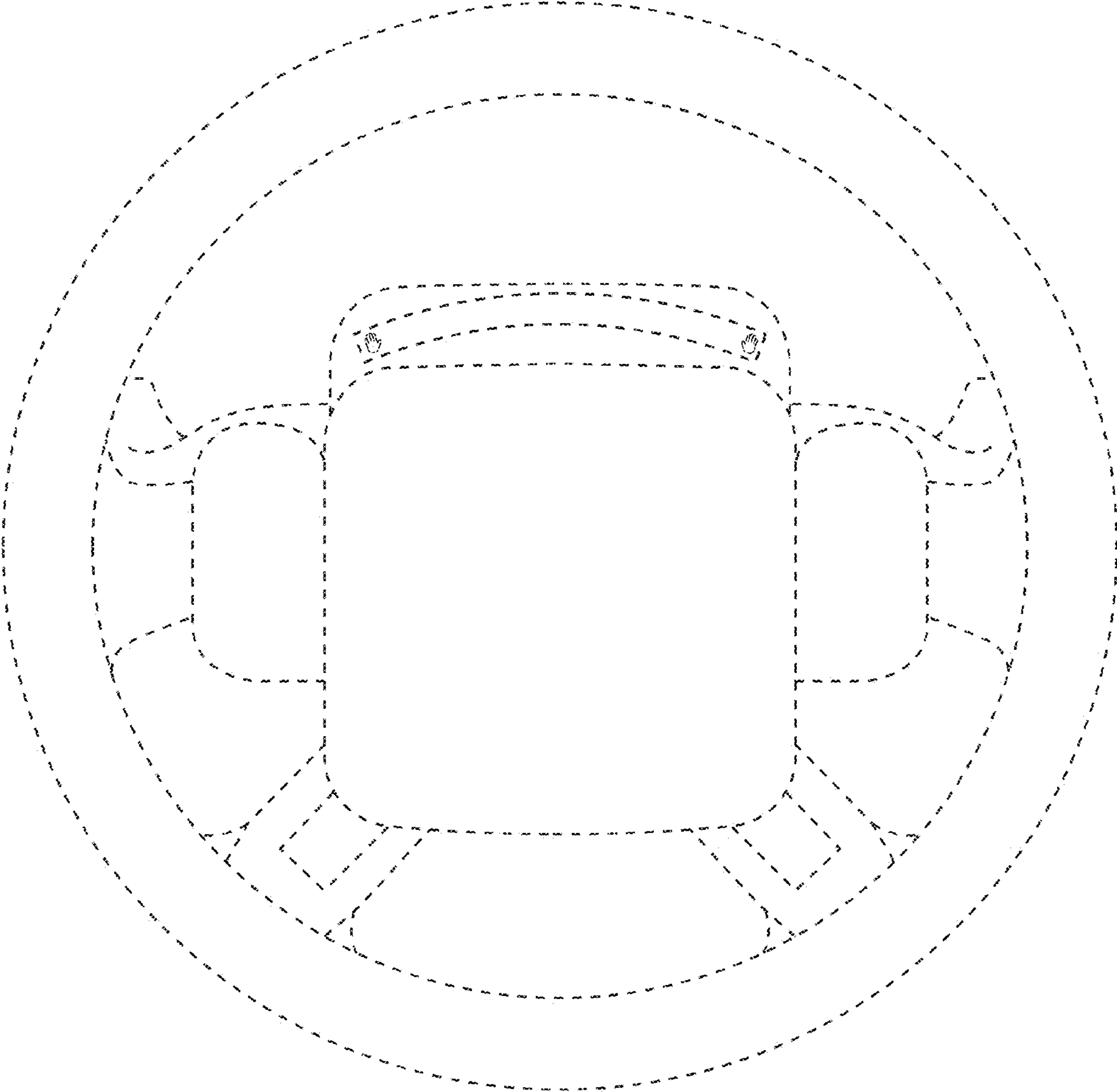


FIG. 24