



US00D903697S

(12) **United States Design Patent** (10) **Patent No.:** **US D903,697 S**
Kim et al. (45) **Date of Patent:** **** Dec. 1, 2020**

(54) **DISPLAY SCREEN OR PORTION THEREOF WITH TRANSITIONAL GRAPHICAL USER INTERFACE**

CN	304678324	6/2018
KR	300813558	9/2015
KR	3008757480004	10/2016
KR	300893352	2/2017
KR	300936660	12/2017
KR	300948338	3/2018

(71) Applicant: **Samsung Electronics Co., Ltd.**, Suwon-si (KR)

(72) Inventors: **Jiyeon Kim**, Suwon-si (KR); **Jaehan Lee**, Suwon-si (KR); **Kwanghyun Jang**, Suwon-si (KR)

(73) Assignee: **SAMSUNG ELECTRONICS CO., LTD.**, Gyeonggi-Do (KR)

(**) Term: **15 Years**

(21) Appl. No.: **29/699,967**

(22) Filed: **Jul. 30, 2019**

(30) **Foreign Application Priority Data**

Feb. 18, 2019 (KR) 30-2019-0007264

(51) **LOC (12) Cl.** **14-04**

(52) **U.S. Cl.**
USPC **D14/485; D14/489**

(58) **Field of Classification Search**
USPC D14/485-495; D20/10, 11, 22-33, 39, D20/40; D5/20, 26, 30, 40, 63-65
CPC G06F 3/048-04897; G06F 17/24; H04N 1/0044; H04N 1/00196; H04N 1/00408-00437; G06T 2200/02; B41J 29/38; G03G 15/5016; G03G 15/502
See application file for complete search history.

(56) **References Cited**

U.S. PATENT DOCUMENTS

D669,913 S * 10/2012 Maggiotto D14/487
D819,058 S * 5/2018 Clediere D14/485
(Continued)

FOREIGN PATENT DOCUMENTS

CN 304619584 5/2018

OTHER PUBLICATIONS

Nokia 3.1 Plus Camera UI Hands-on, by Nokiapoweruser, YouTube [online], published on Oct. 11, 2018, [retrieved on Jul. 17, 2020], retrieved from the Internet <URL: <https://www.youtube.com/watch?v=xgDBXMBswec>> (Year: 2018).*

(Continued)

Primary Examiner — Cathron C Brooks

Assistant Examiner — Ian F Whitmore

(74) *Attorney, Agent, or Firm* — Cantor Colburn LLP

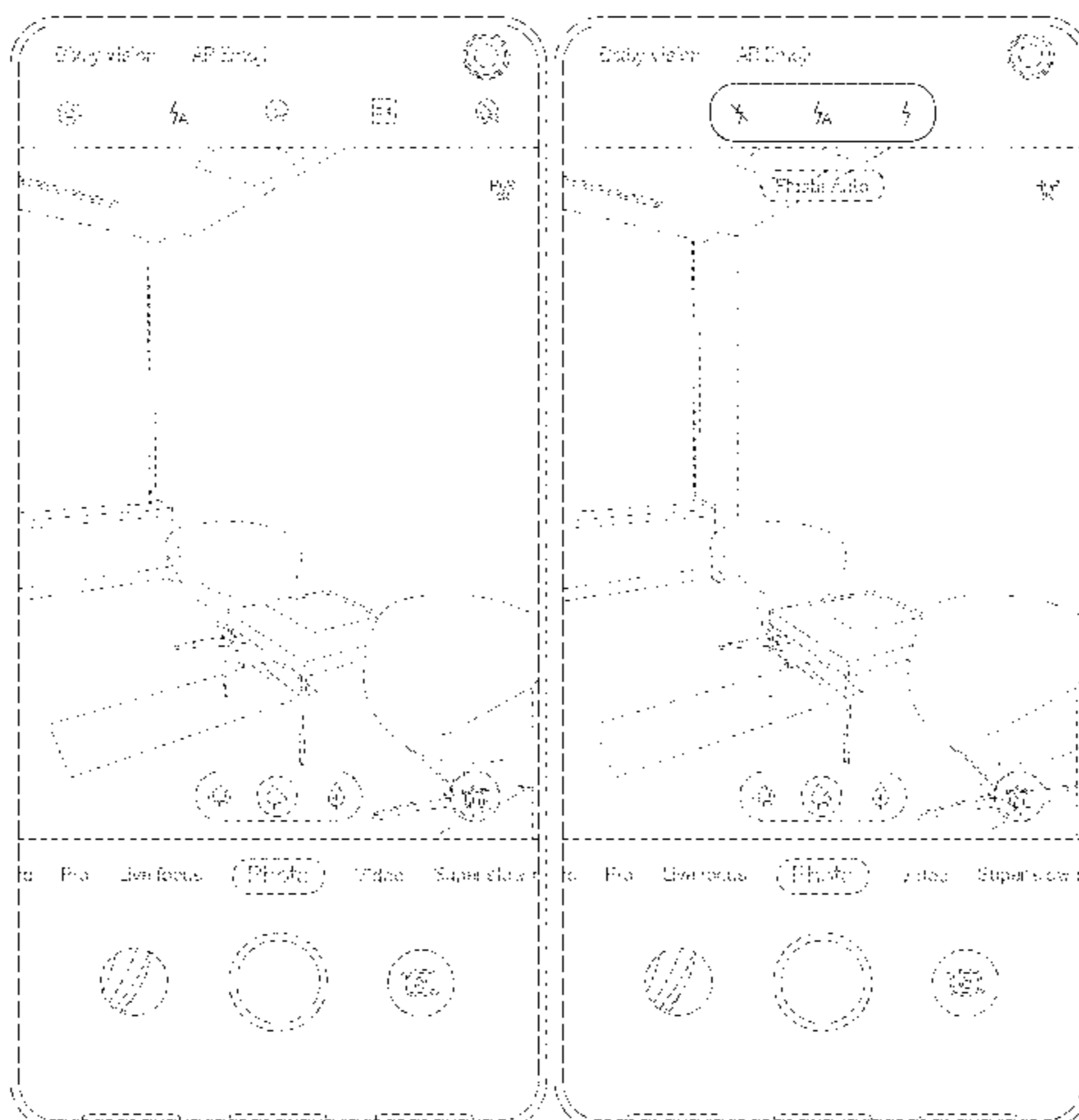
(57) **CLAIM**

The ornamental design for a display screen or portion thereof with transitional graphical user interface, as shown and described.

DESCRIPTION

FIG. 1 is a front view of a first image in a sequence for a first embodiment of a display screen or portion thereof with transitional graphical user interface, showing our new design; FIG. 2 is a front view of a second image thereof; and, FIG. 3 is a front view of a third image thereof. The appearance of the transitional image sequentially transitions between the images shown in FIGS. 1-3 and FIGS. 4-6. The process or period in which one image transitions to another image forms no part of the claimed design. The outer perimeters illustrated by a pair of broken lines depict a display screen or a portion thereof and form no part of the claimed design. The remaining broken lines shown in the drawings depict portions of the transitional graphical user interface that form no part of the claimed design.

1 Claim, 3 Drawing Sheets



(56)

References Cited

U.S. PATENT DOCUMENTS

D824,933	S *	8/2018	Harris	D14/486
D847,829	S *	5/2019	Kim	D14/485
D859,453	S *	9/2019	Wantland	D14/487
D864,990	S *	10/2019	Lee	D14/487
D870,754	S *	12/2019	Wang	D14/485
D887,423	S *	6/2020	Lee	D14/485
D887,441	S *	6/2020	Lorca Norambuena	D14/489
2007/0013672	A1 *	1/2007	Shim	G06F 3/04886 345/173
2020/0068136	A1 *	2/2020	Lee	H04N 5/23296
2020/0225846	A1 *	7/2020	Seo	G06F 3/04842

OTHER PUBLICATIONS

Bottom Bar, by Nudds, dribbble.com [online], published on Dec. 18, 2017, [retrieved on Jul. 17, 2020], retrieved from the Internet <URL: <https://dribbble.com/shots/4029397-Bottom-Bar>> (Year: 2017).*

Camera Flash Icon, by Helin, dribbble.com [online], published on Jan. 4, 2017, [retrieved on Jul. 17, 2020], retrieved from the Internet <URL: <https://dribbble.com/shots/3192456-Camera-flash-icon>> (Year: 2017).*

15 best camera apps for android #bestandroidcamera, p. 1, <<https://www.pinterest.co.kr/pin/343399540332884060/>>.

Best Camera Phones to Buy in 2019—Top 10 smartphones, p. 1, Posted on Dec. 30, 2018, <URL:<https://www.youtube.com/watch?v=ufR0lgnmA-I>>.

Brit+Co, p. 1, Posted on Oct. 12, 2014, <https://www.brit.co/manual-app/?utm_campaign=pinbutton_hover>.

Field Testing the P9, Posted Aug. 10, 2016, p. 1 <URL:<http://kristiandowling.com/blog/2016/8/10/huawei-p9-review-best-camera-phone-ever>>.

How to shoot pictures like a pro with your iPhone camera, p. 1 <URL:<https://www.pinterest.co.kr/pin/86764730298625217/>>.

Huawei P20 Pro: Review Kamera, Beneran Keren atau Hoax?—Indonesia, p. 1, Posted on Jun. 28, 2018 <URL:<https://www.youtube.com/watch?v=LnjKmrspzA>>.

* cited by examiner

FIG. 1

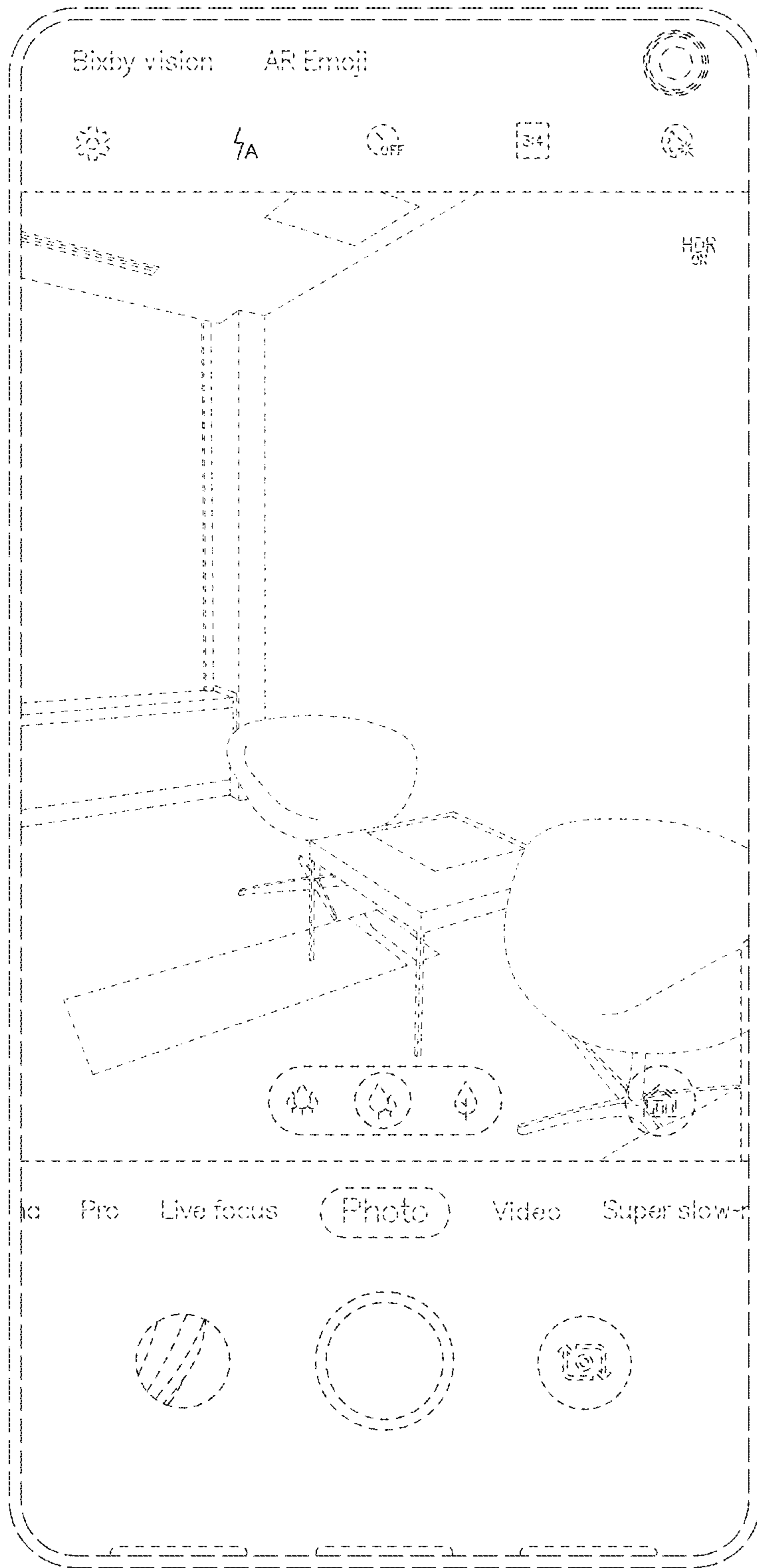


FIG. 2

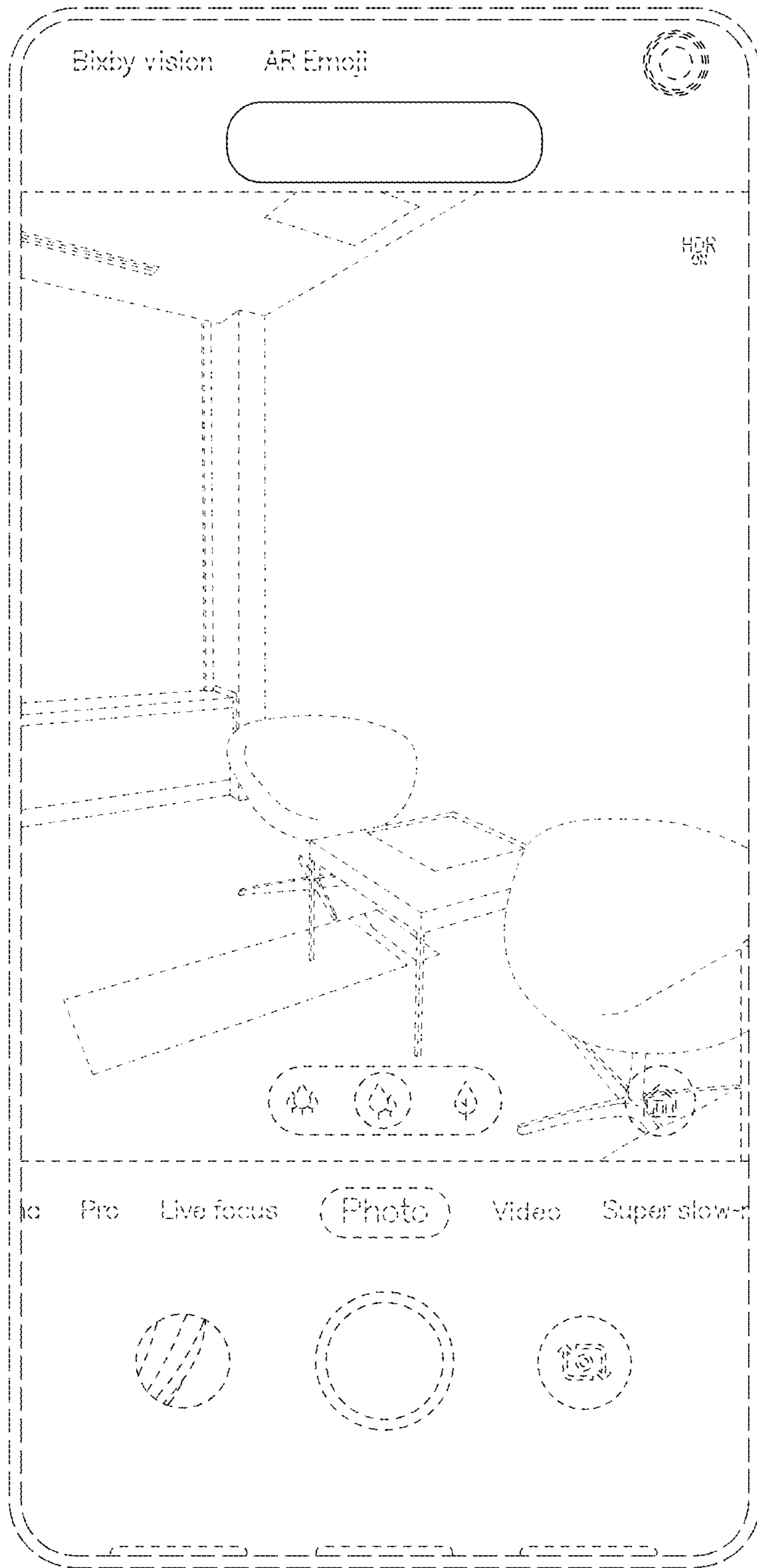


FIG. 3

